



US00D681459S

(12) **United States Design Patent**
Ramsey et al.

(10) **Patent No.:** **US D681,459 S**
(45) **Date of Patent:** **** May 7, 2013**

(54) **CLOSURE CAP**

FOREIGN PATENT DOCUMENTS

(75) Inventors: **Christopher Paul Ramsey**, Wantage (GB); **Bruce John Munn**, Wantage (GB)

DE 2933547 3/1981
DE 3619322 12/1986

(Continued)

(73) Assignee: **Crown Packaging Technology, Inc.**, Alsip, IL (US)

OTHER PUBLICATIONS

U.S. Appl. No. 12/922,989, filed Feb. 12, 2009, Dunwoody et al.

(**) Term: **14 Years**

(Continued)

(21) Appl. No.: **29/382,739**

Primary Examiner — Susan Bennett Hattan

(22) Filed: **Jan. 6, 2011**

(74) *Attorney, Agent, or Firm* — Woodcock Washburn LLP

(30) **Foreign Application Priority Data**

(57) **CLAIM**

The ornamental design for a closure cap, as shown and described.

Jul. 8, 2010 (EM) 001729286-0001

(51) **LOC (9) Cl.** **09-07**

(52) **U.S. Cl.**
USPC **D9/452**; D9/454

(58) **Field of Classification Search** D9/454,
D9/453, 452, 449, 447, 446, 445, 443, 435,
D9/434; D7/392.1; 215/365, 333, 252, 250,
215/228, 200; 220/288, 270, 257.2, 254.3,
220/277

See application file for complete search history.

DESCRIPTION

This application is related by subject matter to co-pending applications Ser. No. 29/382,735, filed Jan. 6, 2011, 28/382,732, filed Jan. 6, 2011, 29/382,738, filed Jan. 6, 2011 and 29/382,744, filed Jan. 6, 2011, each entitled "Closure Cap." FIG. 1 is a top plan view of a closure cap according to my design;

FIG. 2 is a perspective view thereof;

FIG. 3 is a side view thereof, from the perspective of Arrow 3 shown in FIG. 1;

FIG. 4 is a side view thereof, from the perspective of Arrow 4 shown in FIG. 1;

FIG. 5 is an enlarged, partial cross-sectional view of a portion thereof, taken in the direction of line 5 shown in FIG. 1; and, FIG. 6 is an enlarged, partial cross-sectional view of a portion thereof, taken in the direction of line 6 shown in FIG. 1.

The bottom plan view and intermittent sides views of this claimed design are apparent from FIGS. 1-6. Any broken line portion of the drawings is included to show environmental subject matter only and forms no part of the claimed design.

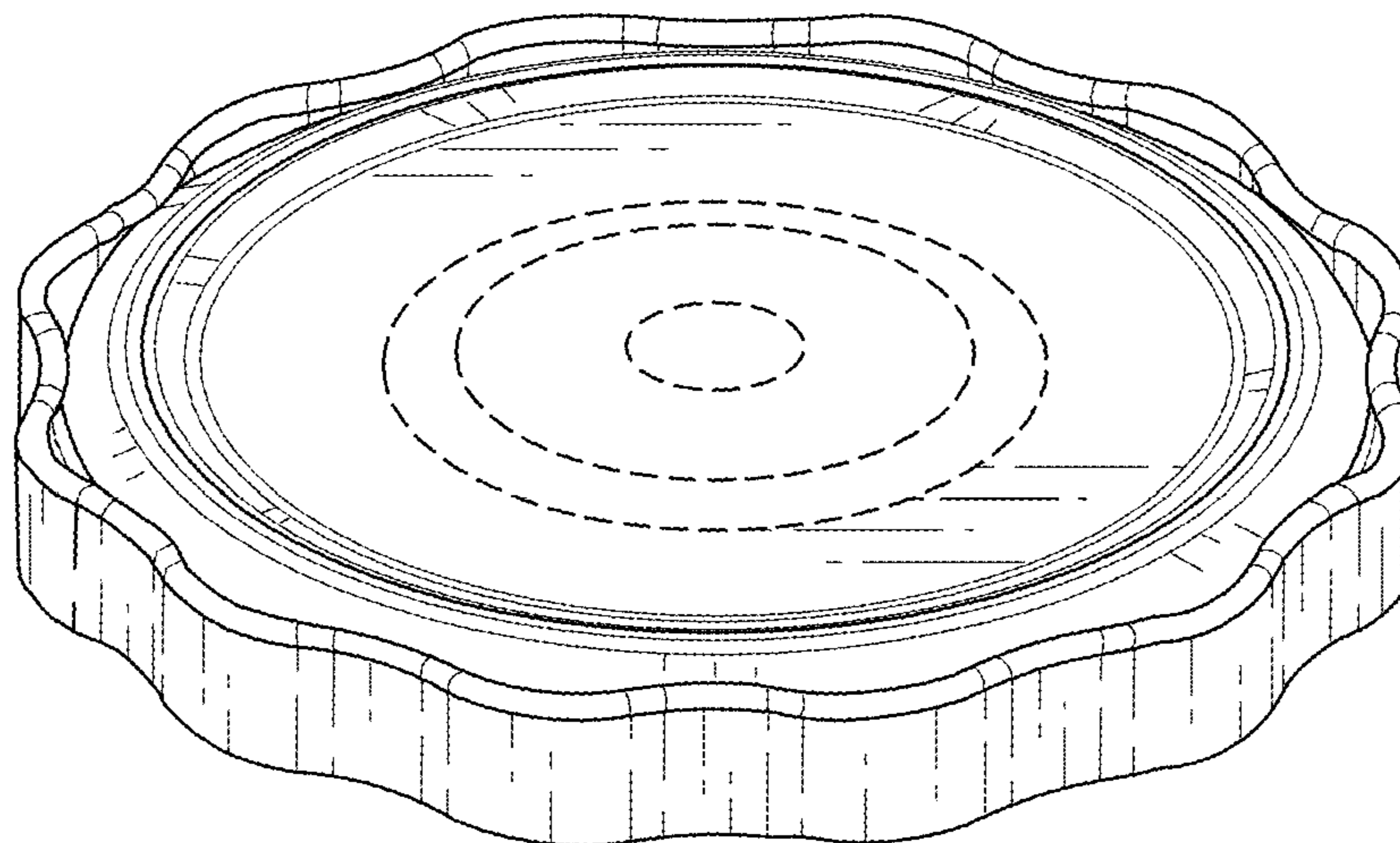
(56) **References Cited**

U.S. PATENT DOCUMENTS

470,529 A 3/1892 Williams
D30,764 S 5/1899 Ross
1,349,837 A 8/1920 Johnson
1,699,069 A 1/1929 Huntar
D101,623 S * 10/1936 Fleisch D9/453
D105,858 S * 8/1937 Fleisch D9/453
2,139,682 A 12/1938 Hothersall
2,166,923 A 7/1939 Woodcock
2,216,082 A 9/1940 Kronquest et al.

(Continued)

1 Claim, 2 Drawing Sheets



US D681,459 S

U.S. PATENT DOCUMENTS

| | | | | |
|-----------|-----|---------|---------------------|--------|
| 2,522,301 | A | 9/1950 | Rooney | |
| 2,527,885 | A | 10/1950 | Krueger | |
| 2,621,622 | A | 12/1952 | Henchert | |
| 2,975,740 | A | 3/1961 | Smith et al. | |
| 2,991,602 | A | 7/1961 | Van De Kerke et al. | |
| D192,757 | S | 5/1962 | Foss et al. | |
| 3,157,080 | A | 11/1964 | Hanni | |
| 3,186,003 | A | 5/1965 | Gregory, Jr. et al. | |
| 3,446,381 | A | 5/1969 | Podesta et al. | |
| 3,813,972 | A | 6/1974 | Van Alsburg | |
| 3,836,033 | A | 9/1974 | Podesta | |
| D239,437 | S | 4/1976 | Boduch | |
| D240,595 | S | 7/1976 | Kress | |
| 4,004,478 | A | 1/1977 | Morgan | |
| D244,065 | S | 4/1977 | Daenen | |
| 4,022,141 | A | 5/1977 | Bartenstein | |
| 4,111,330 | A | 9/1978 | Jordan | |
| 4,299,147 | A | 11/1981 | Rogers | |
| D266,906 | S | 11/1982 | Guerette | |
| 4,473,163 | A | 9/1984 | Geiger | |
| D286,026 | S | 10/1986 | Rayner | |
| D291,971 | S | 9/1987 | Smith | |
| 4,762,579 | A | 8/1988 | Shimizu et al. | |
| 4,808,053 | A | 2/1989 | Nagai et al. | |
| 4,942,777 | A | 7/1990 | Fife | |
| 5,014,491 | A | 5/1991 | Tsukada et al. | |
| 5,078,564 | A | 1/1992 | Zago | |
| 5,325,696 | A | 7/1994 | Jentzsch et al. | |
| D359,451 | S | 6/1995 | Dees | |
| 5,782,599 | A | 7/1998 | Moran et al. | |
| 5,785,198 | A | 7/1998 | Credle, Jr. | |
| 5,839,869 | A | 11/1998 | Moran et al. | |
| D471,453 | S | 3/2003 | Stodd | |
| D480,304 | S | 10/2003 | Stodd | |
| D482,596 | S | 11/2003 | Laabs et al. | |
| 6,662,958 | B2 | 12/2003 | German et al. | |
| D487,700 | S * | 3/2004 | Bourque et al. | D9/453 |
| D489,005 | S | 4/2004 | Miceli et al. | |
| D495,600 | S | 9/2004 | Kouri | |
| D522,364 | S | 6/2006 | Hicks et al. | |
| D526,740 | S | 8/2006 | Xu | |
| D529,804 | S | 10/2006 | Lohrman | |
| D531,505 | S * | 11/2006 | Lohrman | D9/453 |
| D536,975 | S | 2/2007 | Smith et al. | |
| D542,655 | S * | 5/2007 | Szczesniak | D9/453 |
| D542,656 | S * | 5/2007 | Szczesniak | D9/453 |
| D564,878 | S | 3/2008 | Baughman et al. | |
| D567,081 | S | 4/2008 | Baughman et al. | |
| D567,087 | S | 4/2008 | Baughman et al. | |

| | | | | |
|--------------|-----|---------|----------------|--------|
| D574,240 | S * | 8/2008 | Szczesniak | D9/453 |
| D608,638 | S | 1/2010 | Pontes | |
| D612,196 | S | 3/2010 | Furlong | |
| 7,731,048 | B2 | 6/2010 | Alvares et al. | |
| D623,943 | S | 9/2010 | Weld | |
| D628,894 | S | 12/2010 | Pontes | |
| D640,556 | S | 6/2011 | Bragg et al. | |
| D641,622 | S | 7/2011 | Fields | |
| D645,349 | S * | 9/2011 | Tilton | D9/453 |
| D650,670 | S | 12/2011 | Dunwoody | |
| D664,035 | S | 7/2012 | Hu et al. | |
| 2004/0016758 | A1 | 1/2004 | Richardson | |
| 2006/0191933 | A1 | 8/2006 | Hicks et al. | |
| 2007/0090111 | A1 | 4/2007 | Alvares et al. | |
| 2010/0003109 | A1 | 1/2010 | Ramsey et al. | |

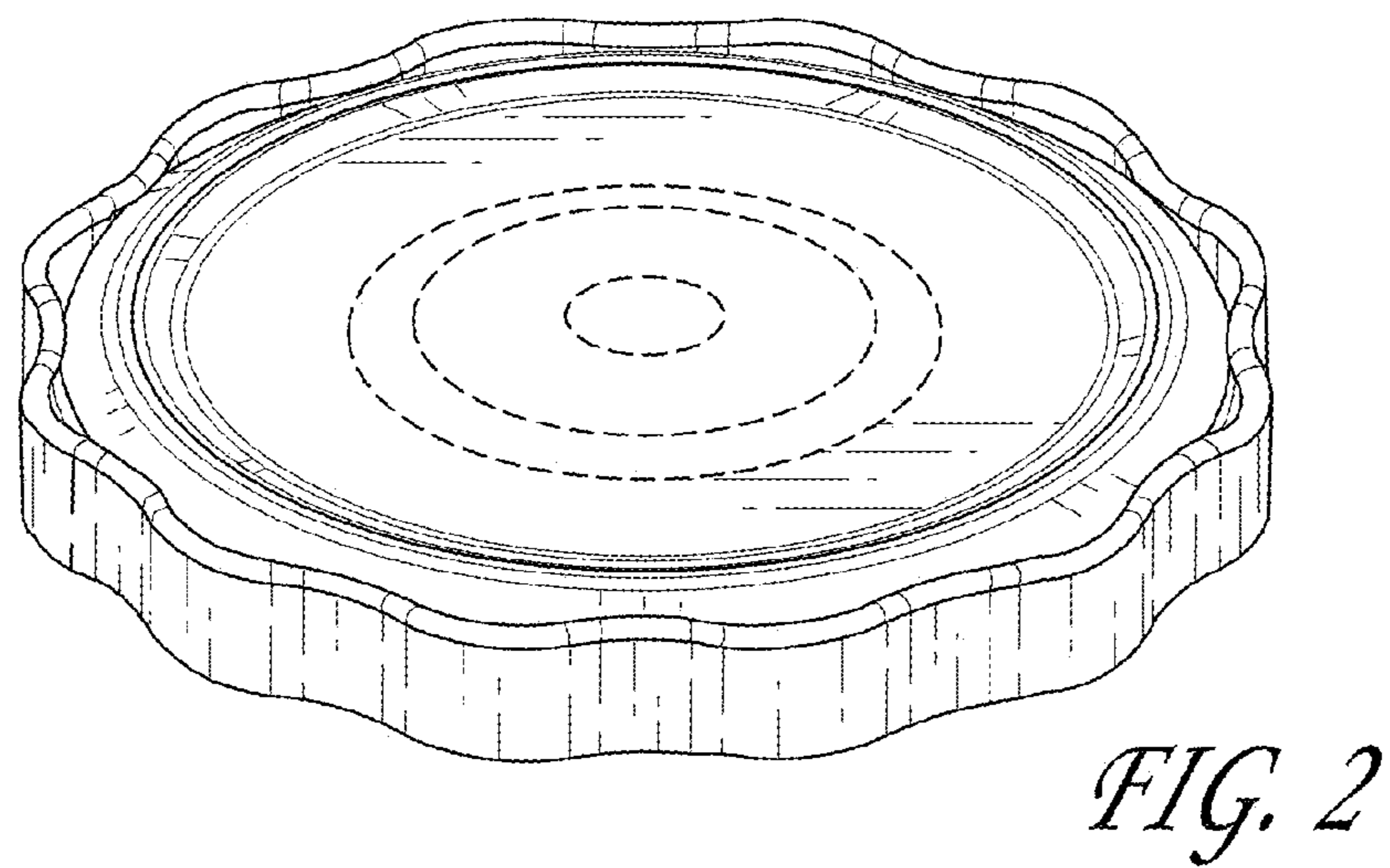
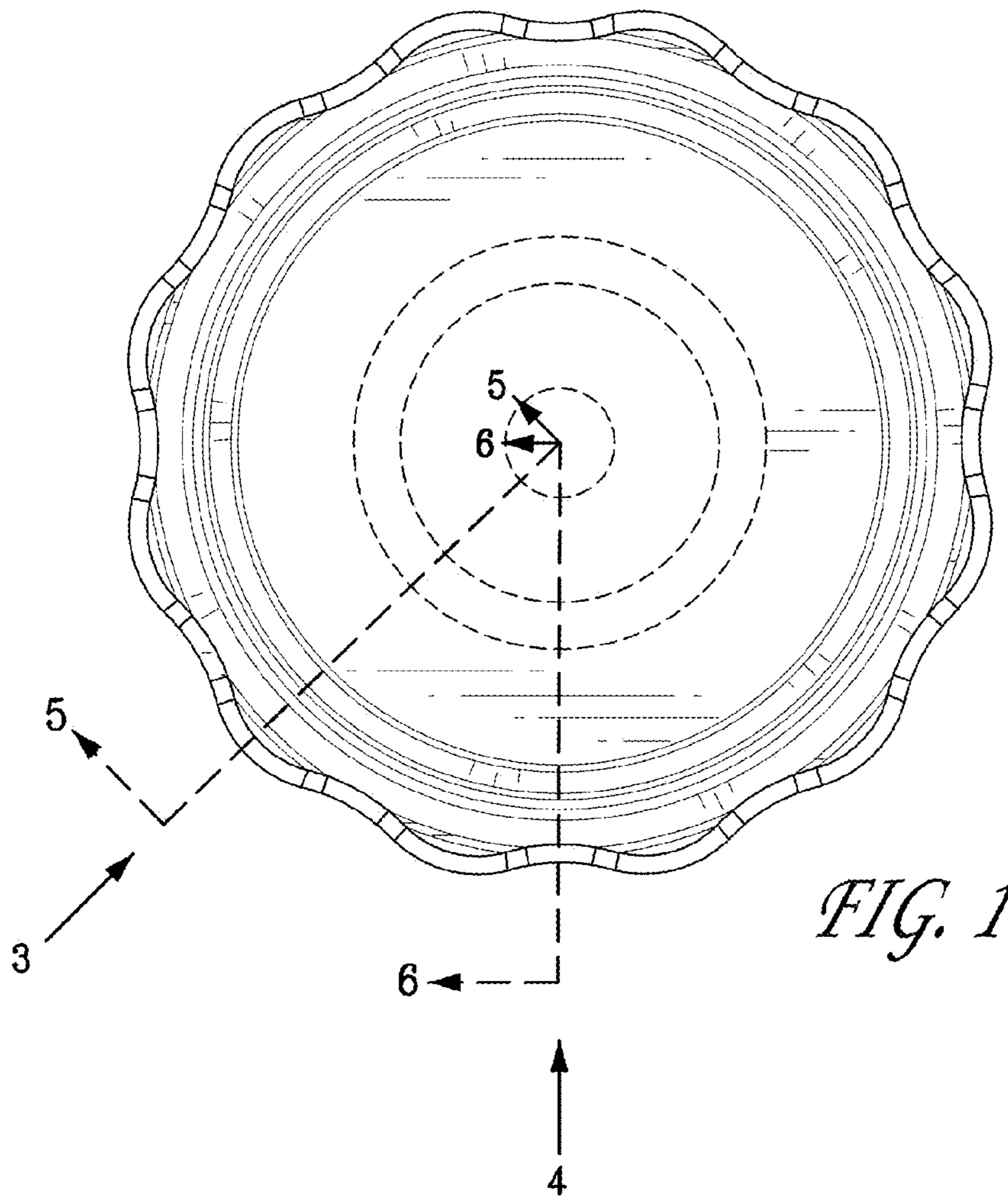
FOREIGN PATENT DOCUMENTS

| | | |
|----|----------------|---------|
| EP | 0092884 | 11/1983 |
| EP | 0599549 | 6/1994 |
| EP | 1686070 | 8/2006 |
| EP | 1918041 | 5/2008 |
| FR | 620920 | 5/1927 |
| FR | 769264 | 8/1934 |
| FR | 2177118 | 11/1973 |
| WO | WO 95/11104 | 4/1995 |
| WO | WO 2005/063587 | 7/2005 |
| WO | WO 2008/053014 | 5/2008 |
| WO | WO 2009/060291 | 5/2009 |
| WO | WO 2009/115377 | 9/2009 |
| WO | WO 2009/130122 | 10/2009 |

OTHER PUBLICATIONS

U.S. Appl. No. 12/988,933, filed Apr. 6, 2009, Dunwoody et al.
 U.S. Appl. No. 29/361,421, filed May 11, 2010, Dunwoody et al.
 U.S. Appl. No. 29/361,422, filed May 11, 2010, Dunwoody et al.
 U.S. Appl. No. 29/361,424, filed May 11, 2010, Dunwoody et al.
 U.S. Appl. No. 29/361,437, filed May 11, 2010, Dunwoody et al.
 U.S. Appl. No. 29/361,441, filed May 11, 2010, Dunwoody et al.
 U.S. Appl. No. 29/361,443, filed May 11, 2010, Dunwoody et al.
 U.S. Appl. No. 29/361,446, filed May 11, 2010, Dunwoody et al.
 U.S. Appl. No. 29/361,448, filed May 11, 2010, Dunwoody et al.
 U.S. Appl. No. 29/361,449, filed May 11, 2010, Dunwoody et al.
 U.S. Appl. No. 29/382,735, filed Jan. 6, 2011, Dunwoody.
 U.S. Appl. No. 29/382,732, filed Jan. 6, 2011, Dunwoody.
 U.S. Appl. No. 29/382,738, filed Jan. 6, 2011, Dunwoody.
 U.S. Appl. No. 29/382,744, filed Jan. 6, 2011, Dunwoody.

* cited by examiner



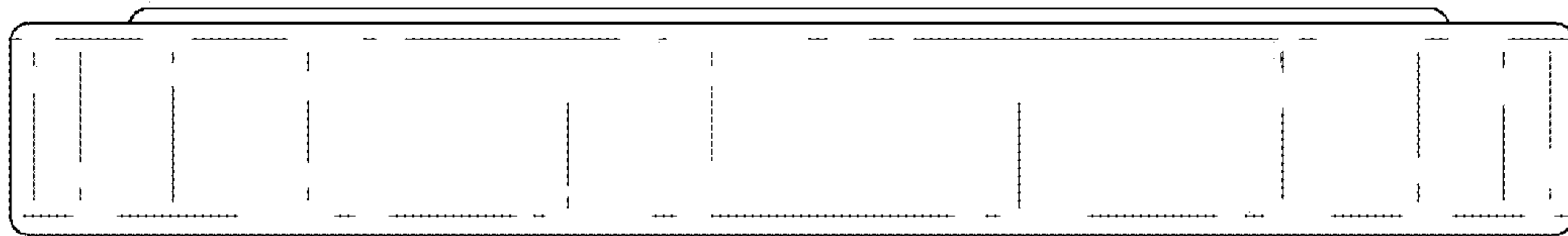


FIG. 3

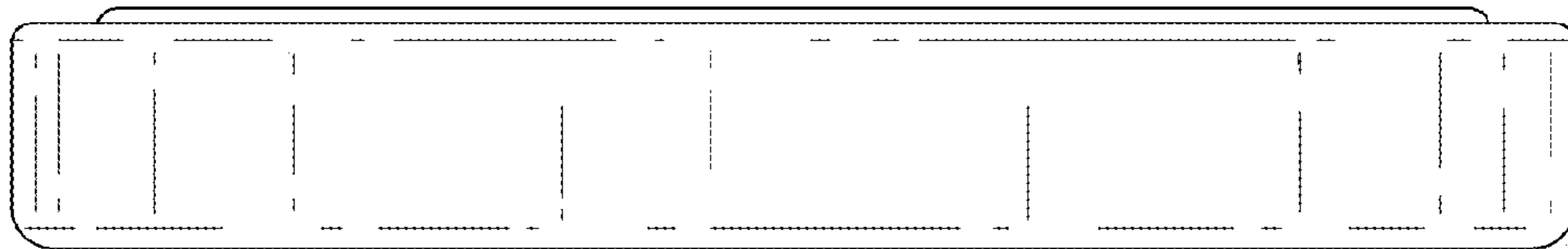


FIG. 4

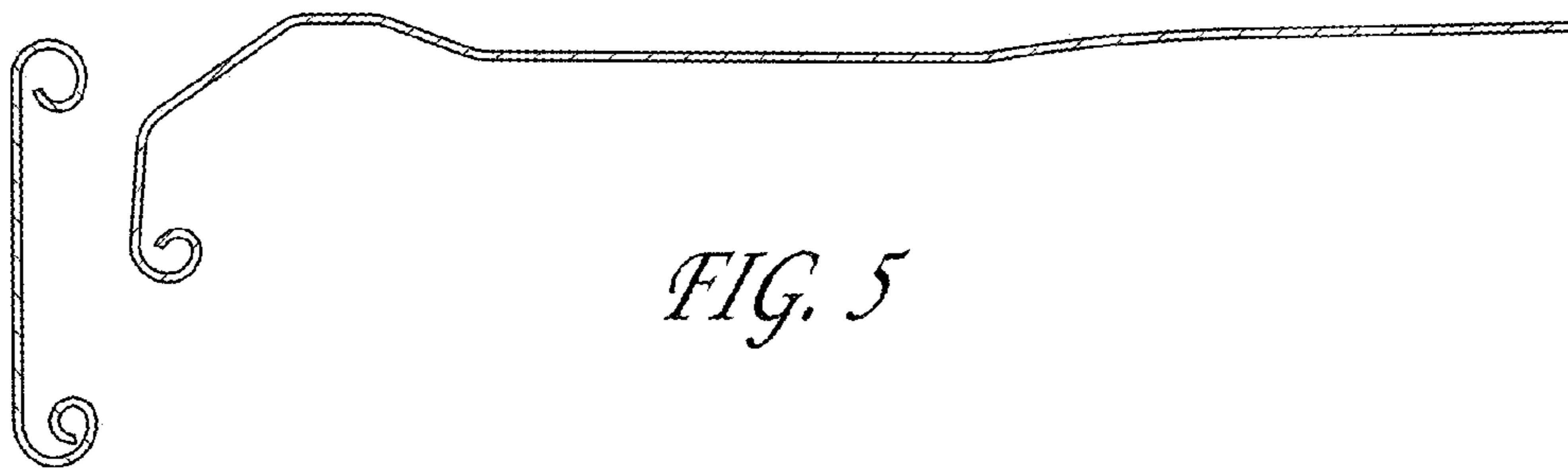


FIG. 5

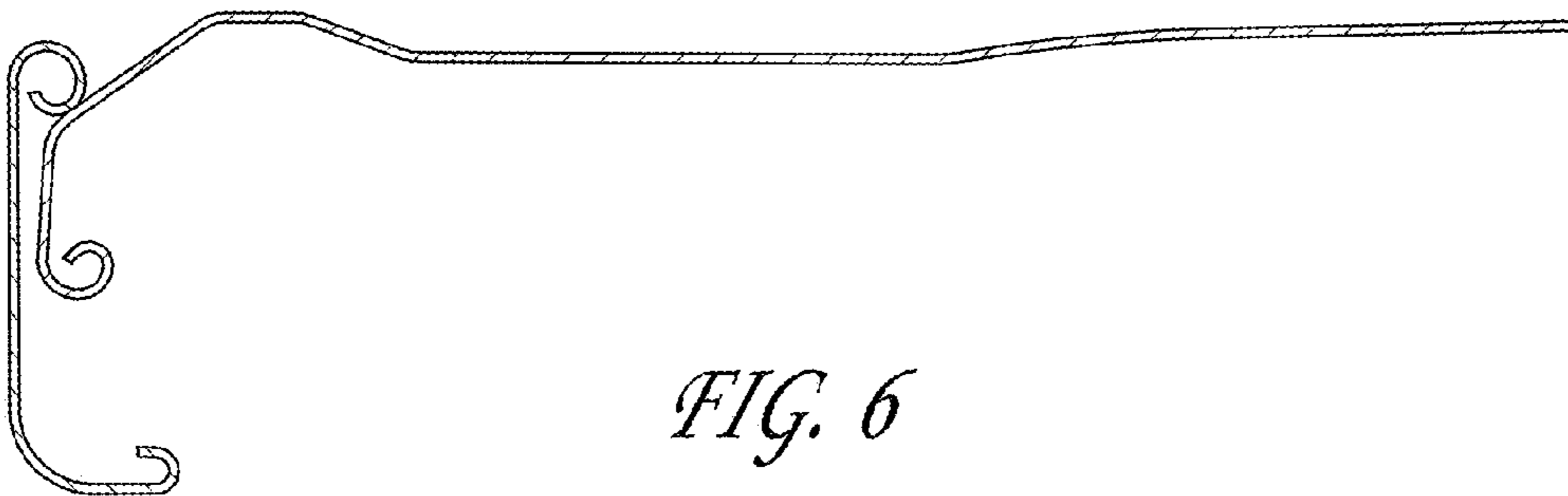


FIG. 6