



US00D681458S

(12) **United States Design Patent**
Santarelli

(10) **Patent No.:** **US D681,458 S**

(45) **Date of Patent:** **** May 7, 2013**

(54) **DISPENSING CLOSURE**

(75) Inventor: **Marcello Santarelli**, Buenos Aires (AR)

(73) Assignee: **MBF Embalagens Ltda**, Maringa/PR (BR)

(**) Term: **14 Years**

(21) Appl. No.: **29/410,891**

(22) Filed: **Jan. 13, 2012**

(30) **Foreign Application Priority Data**

Jul. 14, 2011 (BR) 7103363

(51) **LOC (9) Cl.** **09-07**

(52) **U.S. Cl.**
USPC **D9/449; D9/443**

(58) **Field of Classification Search** D9/529,
D9/503, 454, 453, 449, 447, 446, 442, 440,
D9/435; D7/392.1; 222/556, 521, 494, 492;
220/837, 835, 820, 811, 810, 375, 260, 254.7,
220/254.3; 215/322, 321, 306, 305, 237,
215/235; 206/540, 539, 538, 216
See application file for complete search history.

(56) **References Cited**

U.S. PATENT DOCUMENTS

5,141,138 A * 8/1992 Odet et al. 222/153.07

D411,744 S * 6/1999 Brach et al. D9/438
D623,060 S * 9/2010 Hassamanci D9/449
2006/0186078 A1* 8/2006 Ziegenhorn 215/237

* cited by examiner

Primary Examiner — Susan Bennett Hattan

(74) *Attorney, Agent, or Firm* — William J. Sapone

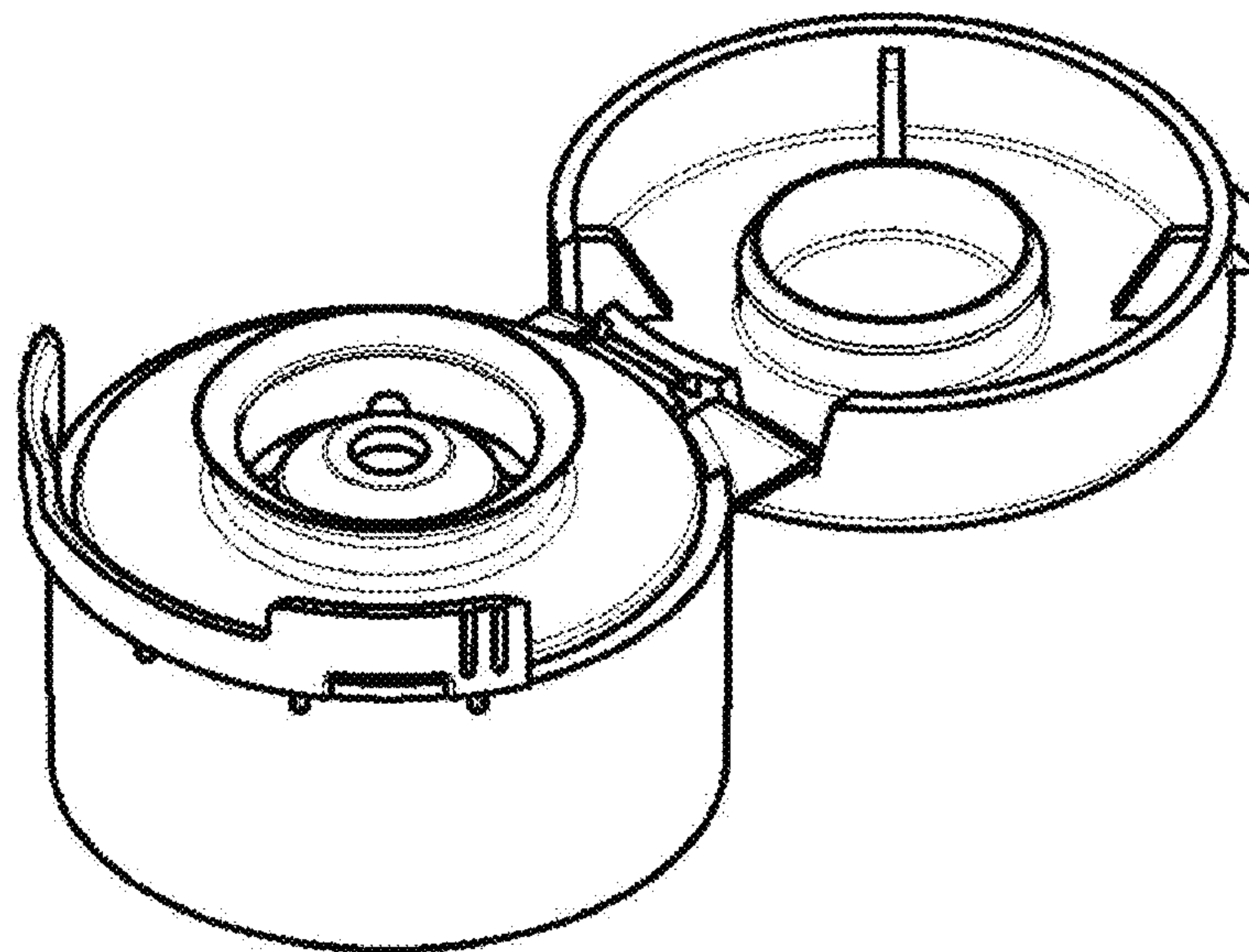
(57) **CLAIM**

I claim the ornamental design for a dispensing closure, as shown and described.

DESCRIPTION

FIG. 1 is a front perspective view of the dispensing closure showing my new design;
FIG. 2 is a rear perspective view of the dispensing closure of FIG. 1;
FIG. 3 is a rear view thereof;
FIG. 4 is a front view thereof;
FIG. 5 is a left side view thereof;
FIG. 6 is right side view thereof;
FIG. 7 is a top view thereof; and,
FIG. 8 is a bottom view thereof, the broken lines shown in FIG. 8 depicting a portion of the closure that form no part of the claimed design.

1 Claim, 3 Drawing Sheets



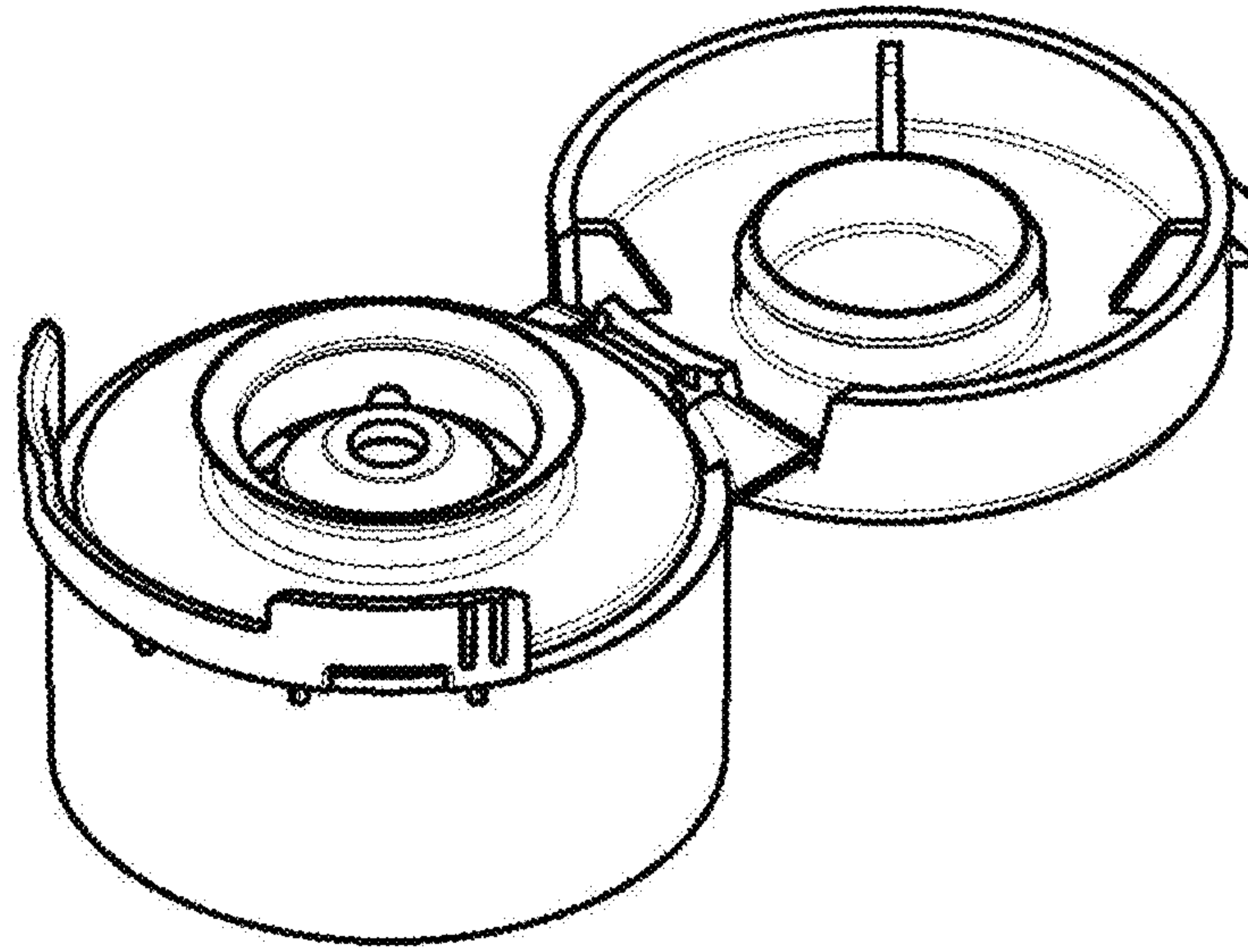


FIG. 1

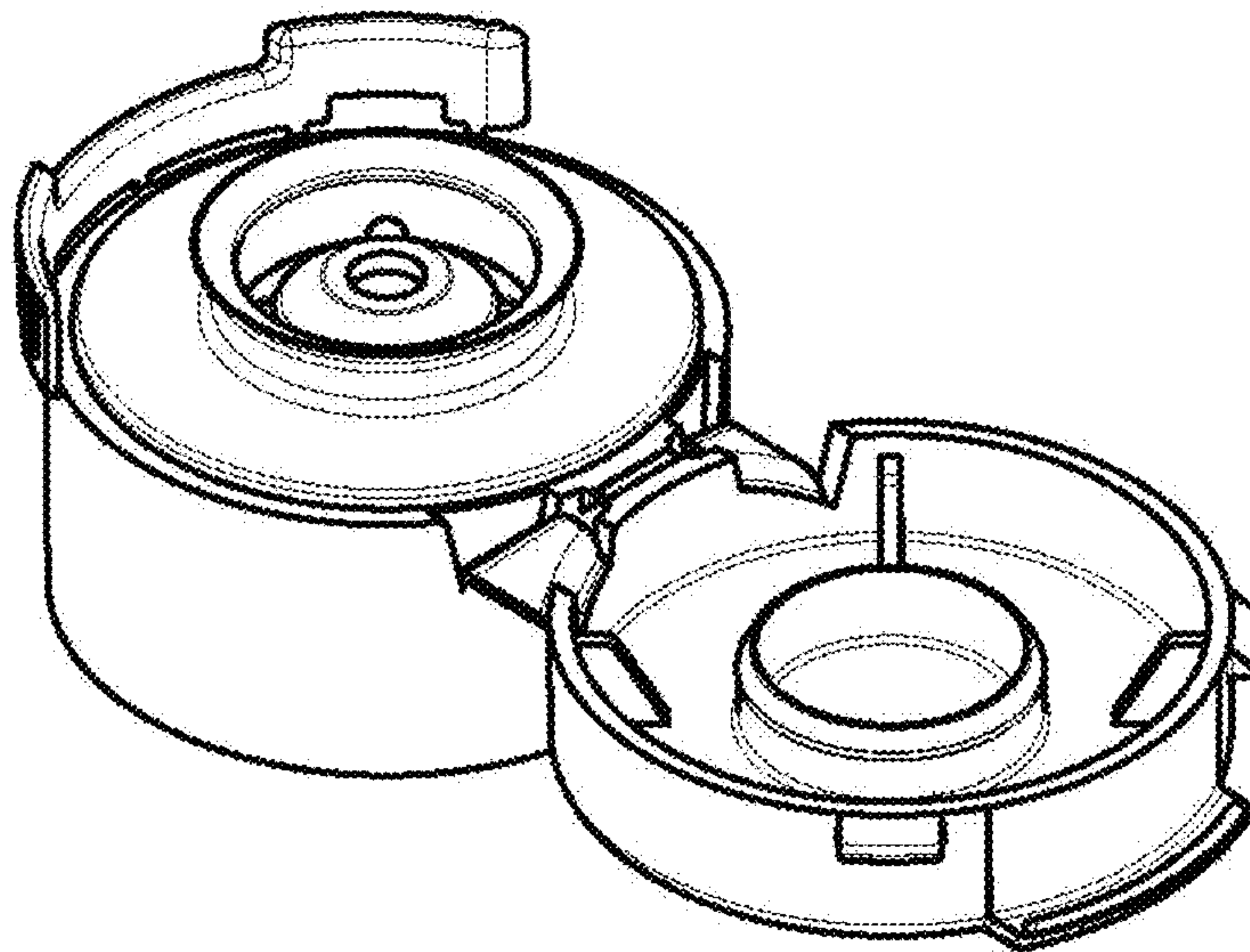


FIG. 2

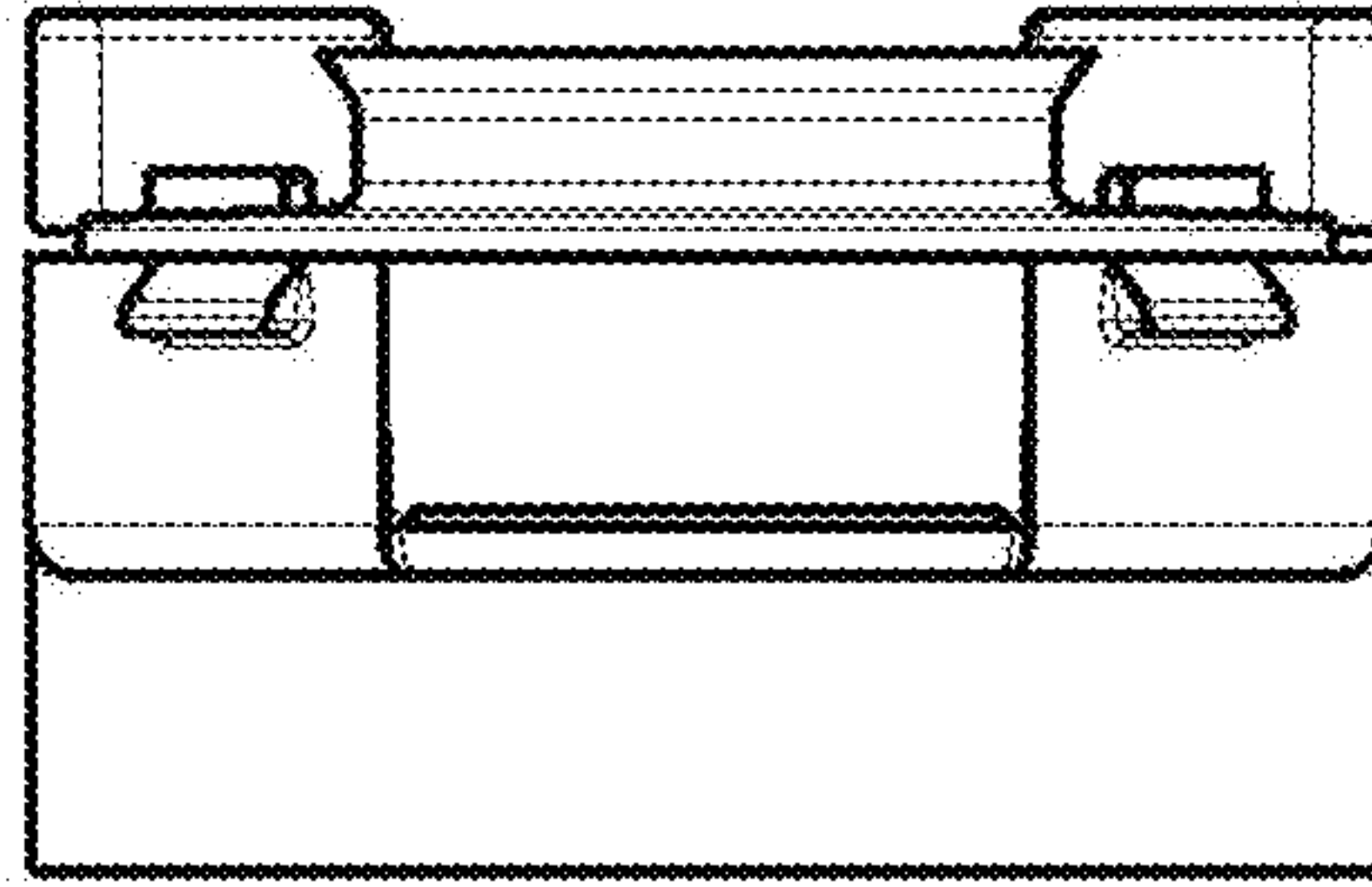


FIG. 3

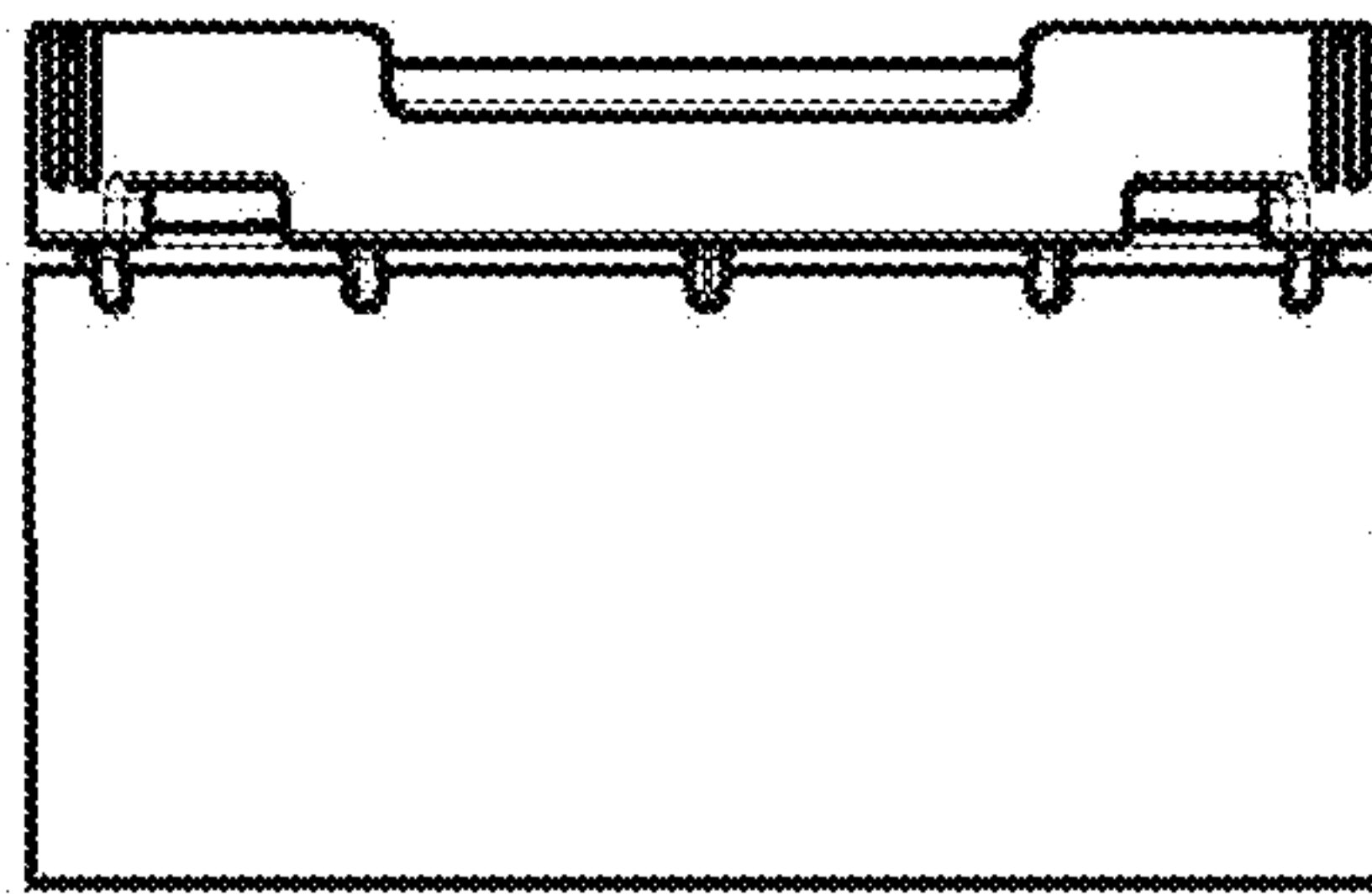


FIG. 4

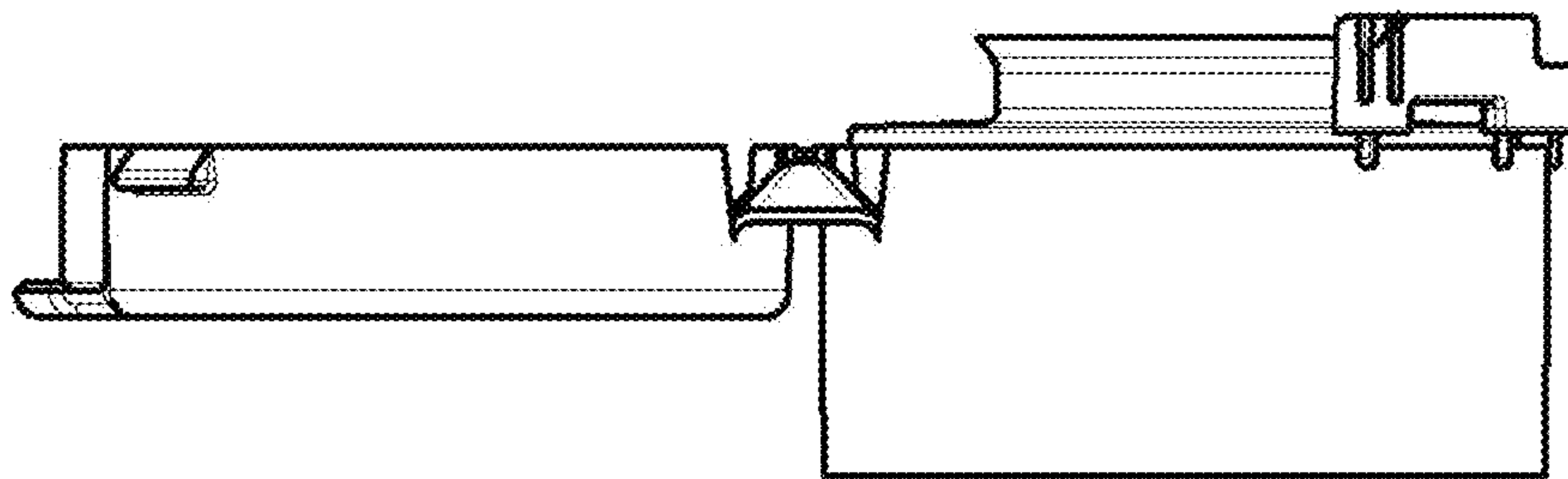


FIG. 5

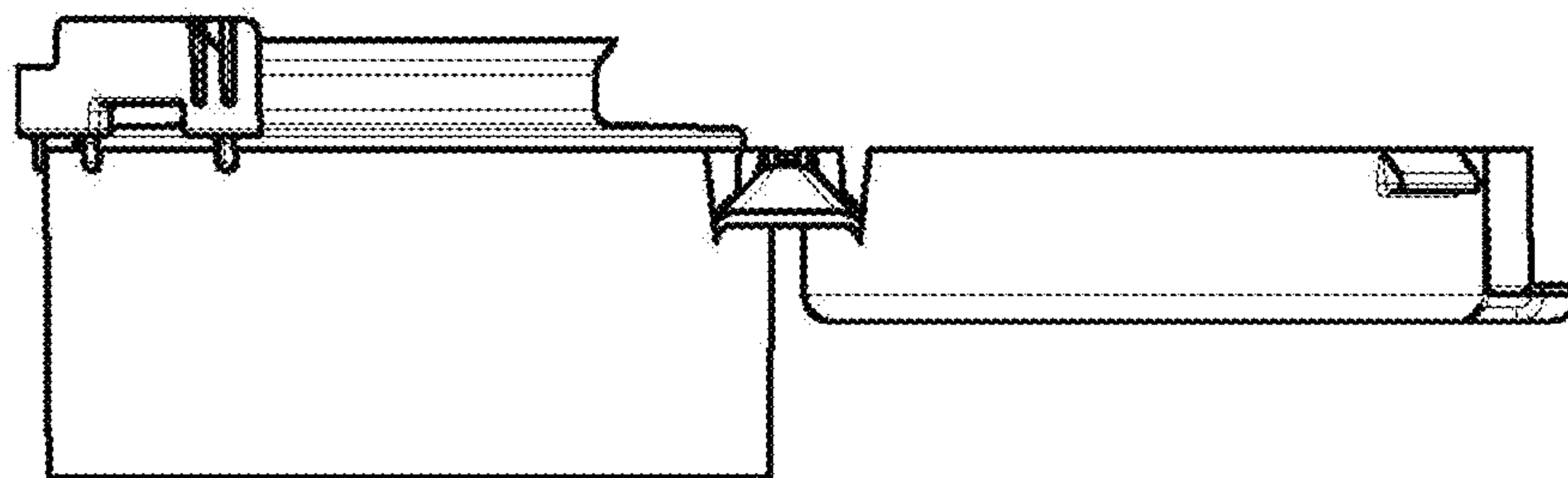


FIG. 6

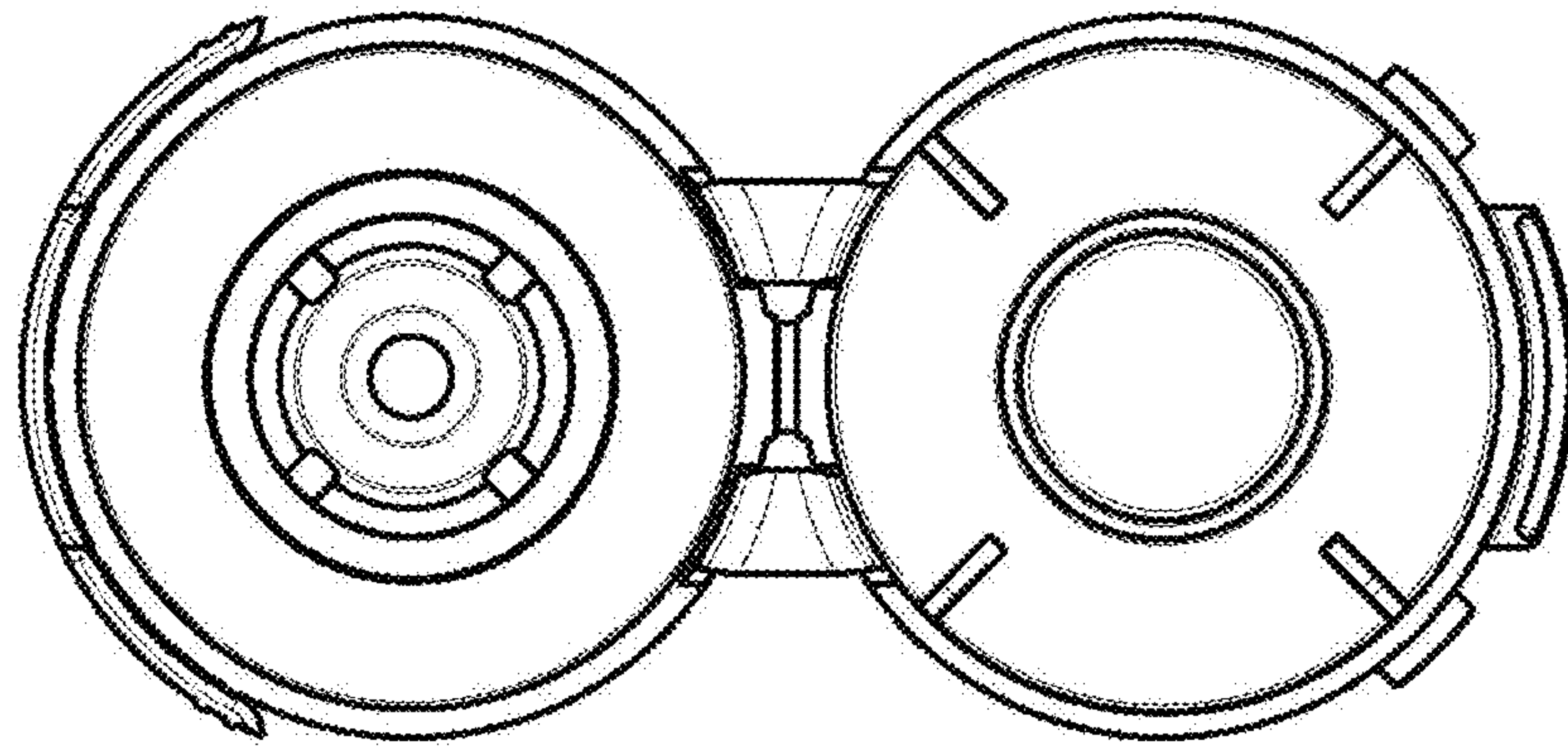


FIG. 7

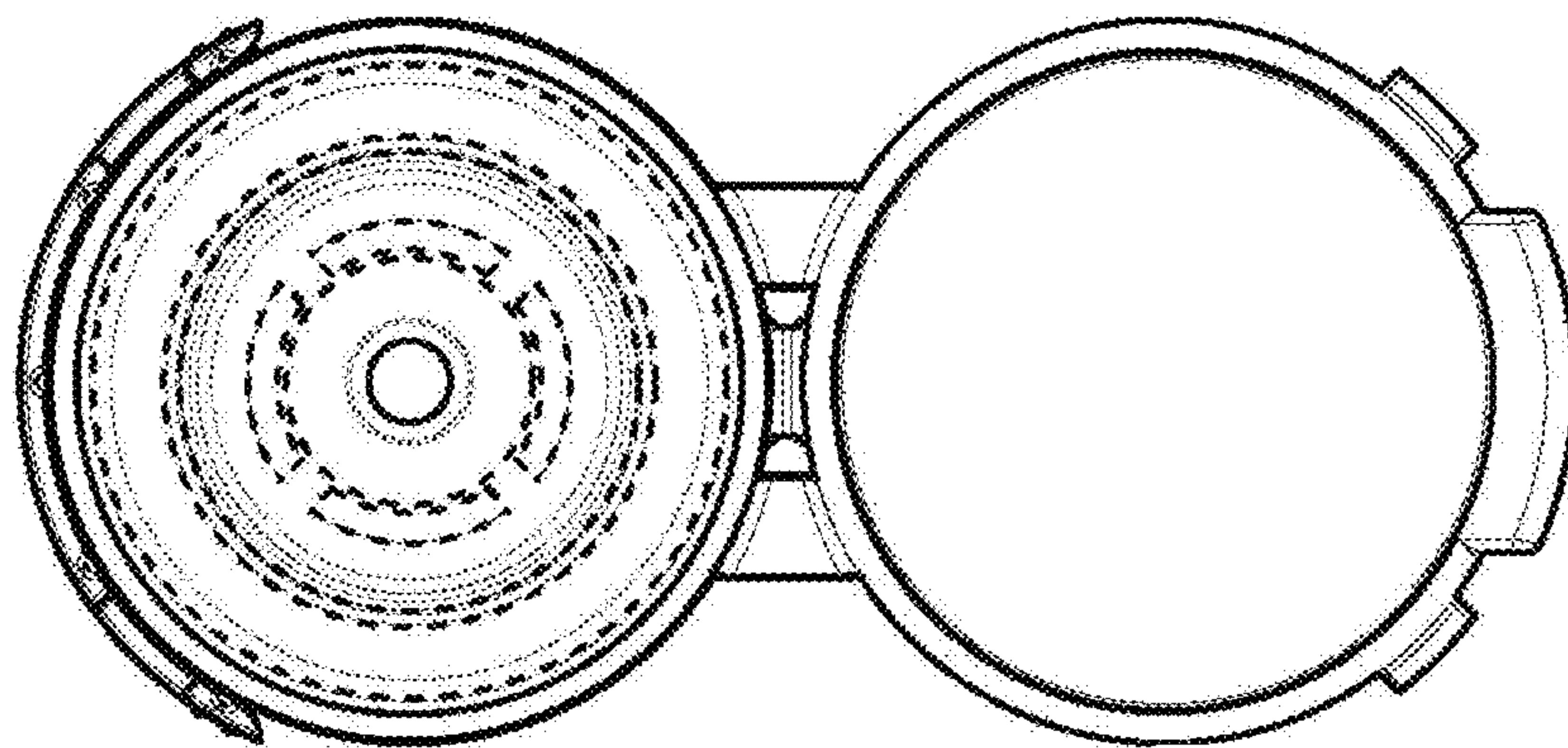


FIG. 8