



US00D681457S

(12) **United States Design Patent**
Mannoia

(10) **Patent No.:** **US D681,457 S**

(45) **Date of Patent:** **** May 7, 2013**

(54) **AEROSOL CAN NOZZLE**

(71) Applicant: **Richard Mannoia**, Sayville, NY (US)

(72) Inventor: **Richard Mannoia**, Sayville, NY (US)

(**) Term: **14 Years**

(21) Appl. No.: **29/437,549**

(22) Filed: **Nov. 18, 2012**

(51) **LOC (9) Cl.** **09-07**

(52) **U.S. Cl.**
USPC **D9/448**; D9/453; D9/454

(58) **Field of Classification Search** D9/724,
D9/688, 686, 454, 450, 449, 448, 447, 435,
D9/434; D28/7; 239/333; 222/95, 536,
222/402.1, 153.14, 153.05, 153.04; 220/200;
215/200

See application file for complete search history.

(56) **References Cited**

U.S. PATENT DOCUMENTS

D377,145 S * 1/1997 Huser D9/447
D388,707 S * 1/1998 de LaForcade D9/448
D572,828 S * 7/2008 Sakulsacha et al. D24/197

D609,091 S * 2/2010 Dubach D9/438
D630,732 S * 1/2011 Lev et al. D24/129
8,157,130 B2 * 4/2012 Murayama et al. 222/95
2008/0206621 A1 * 8/2008 Vanstaen et al. 429/34

* cited by examiner

Primary Examiner — Susan Bennett Hattan

(74) *Attorney, Agent, or Firm* — QuickPatents; Kevin Prince

(57) **CLAIM**

I claim the ornamental design for an aerosol can nozzle, as shown and described.

DESCRIPTION

FIG. 1 is a perspective view of an aerosol can nozzle, showing my new design;

FIG. 2 is a front elevational view thereof;

FIG. 3 is a rear elevational view thereof;

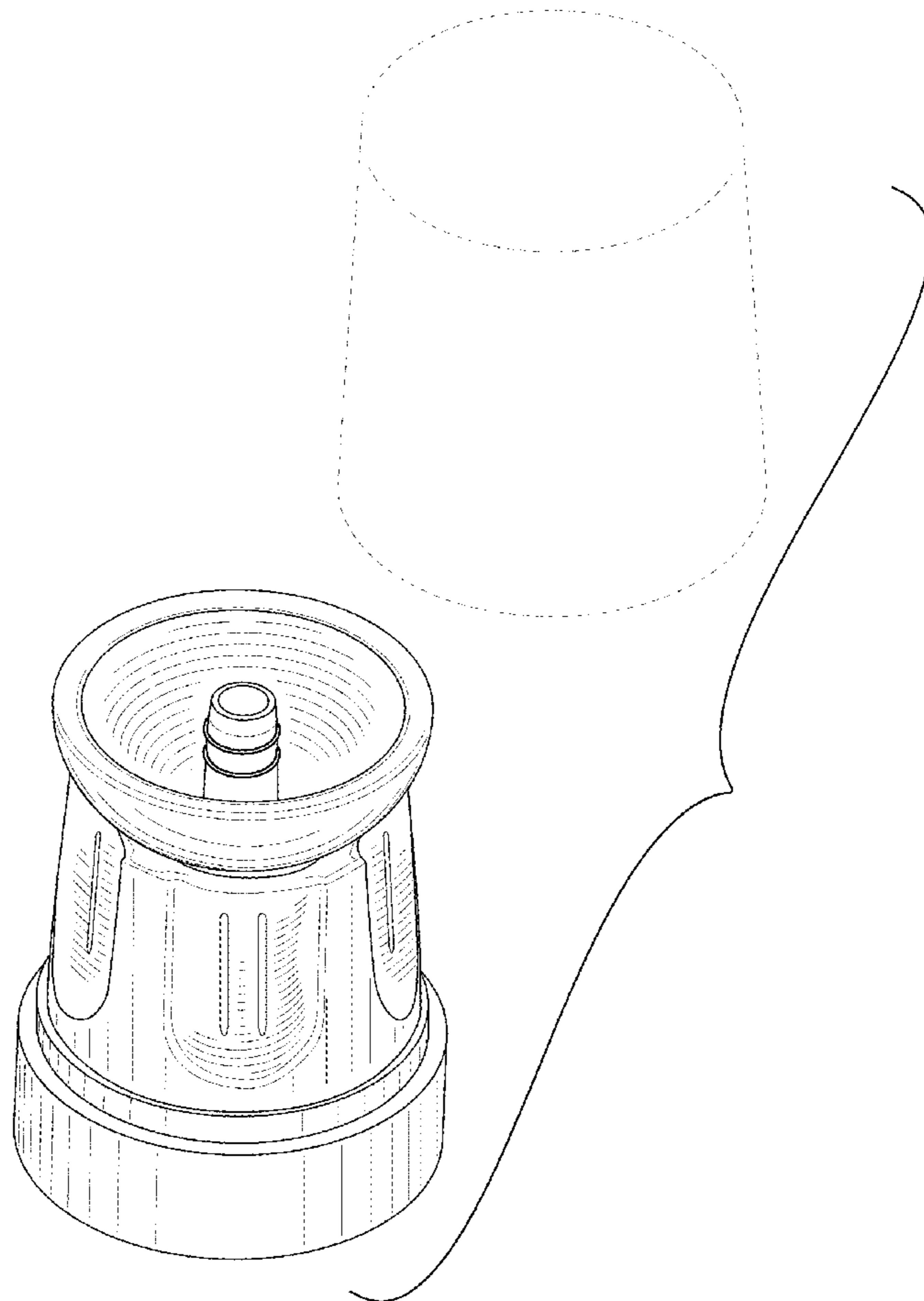
FIG. 4 is a right-side elevational view thereof, the left-side elevational view being a mirror image thereof;

FIG. 5 is a top plan view thereof; and,

FIG. 6 is a bottom plan view thereof.

The broken lines depicting a cap in FIG. 1 and apertures of the bottom surface of the design in FIG. 6 depict environmental matter and form no part of the claimed design.

1 Claim, 3 Drawing Sheets



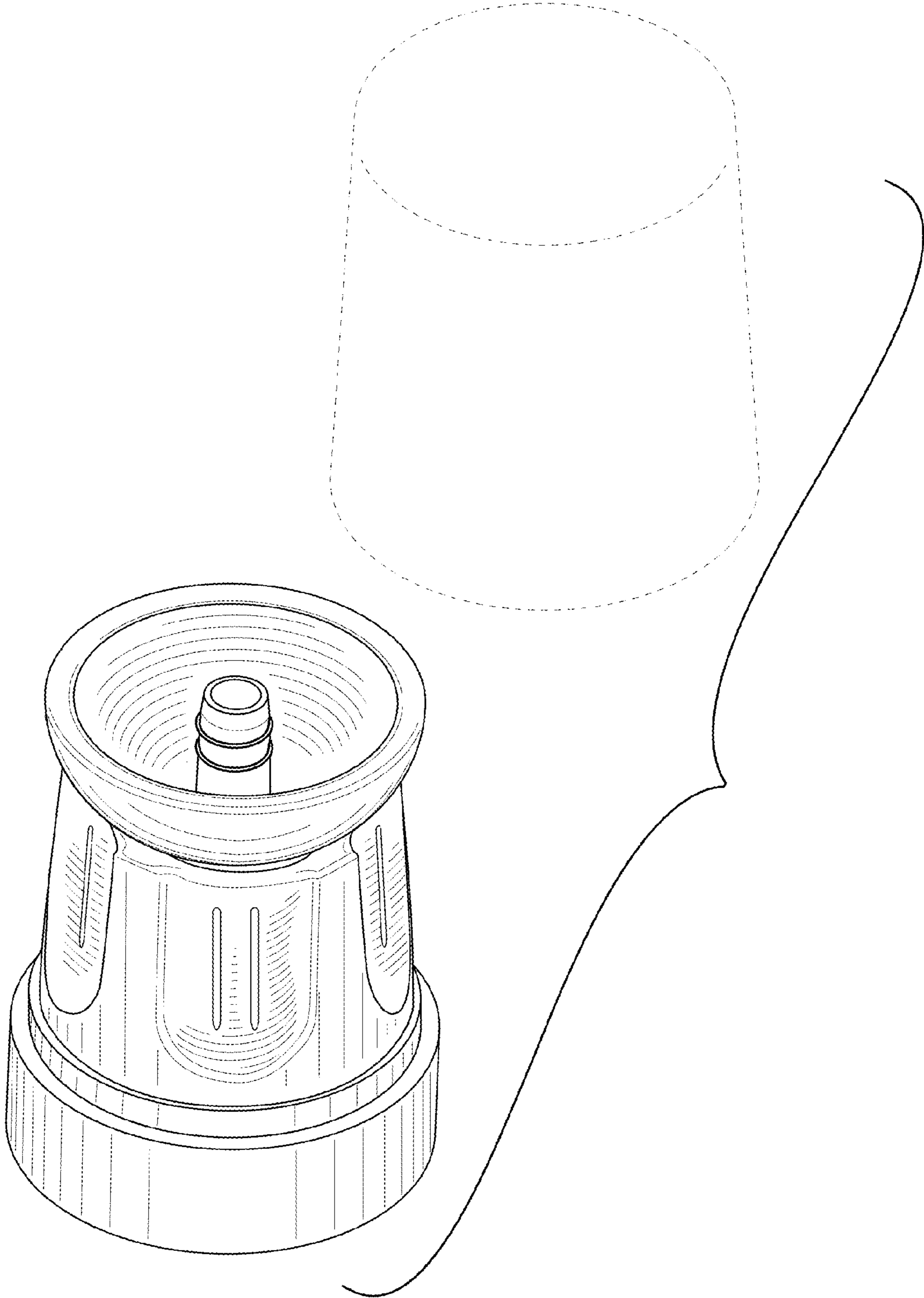


FIG. 1

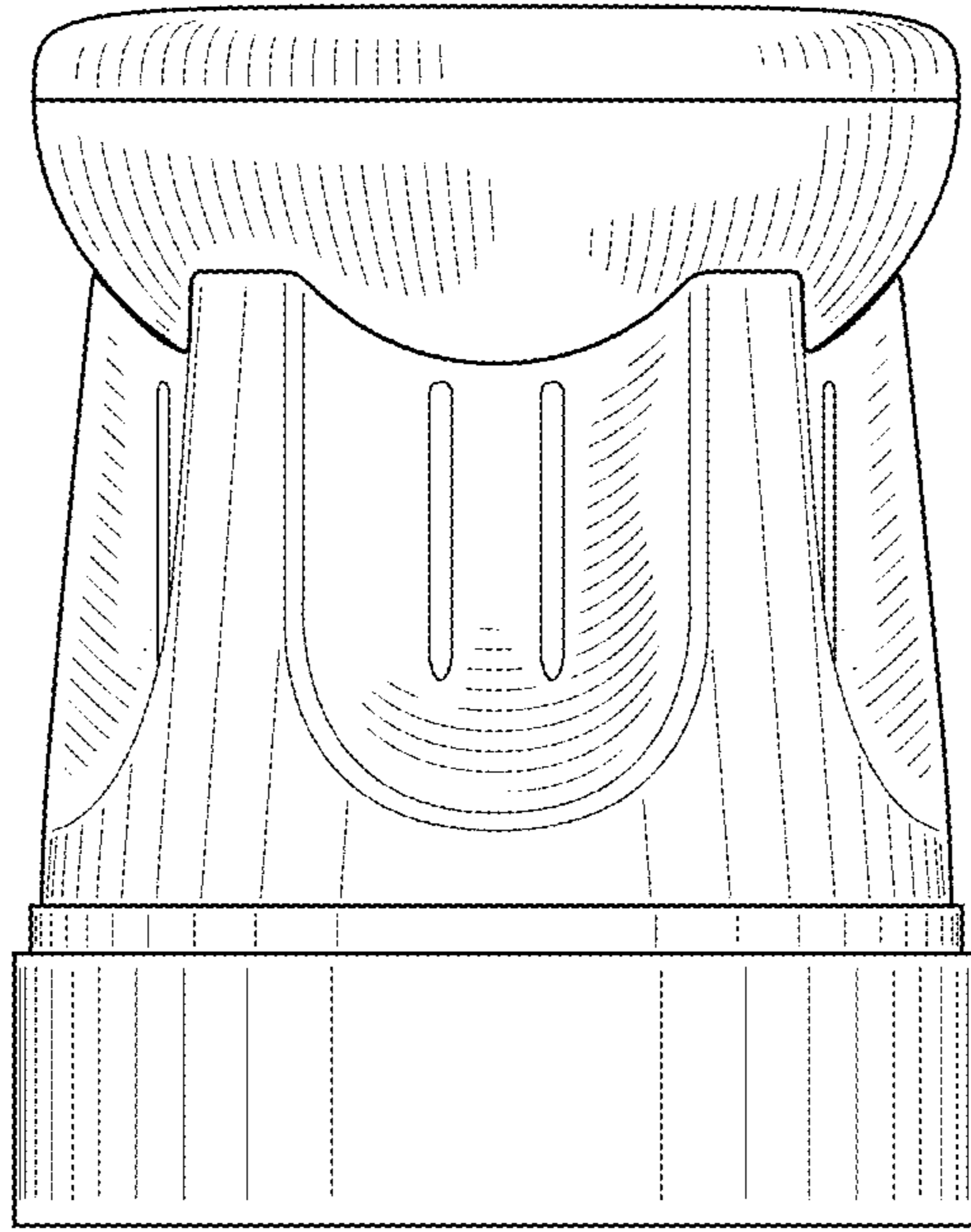


FIG. 2

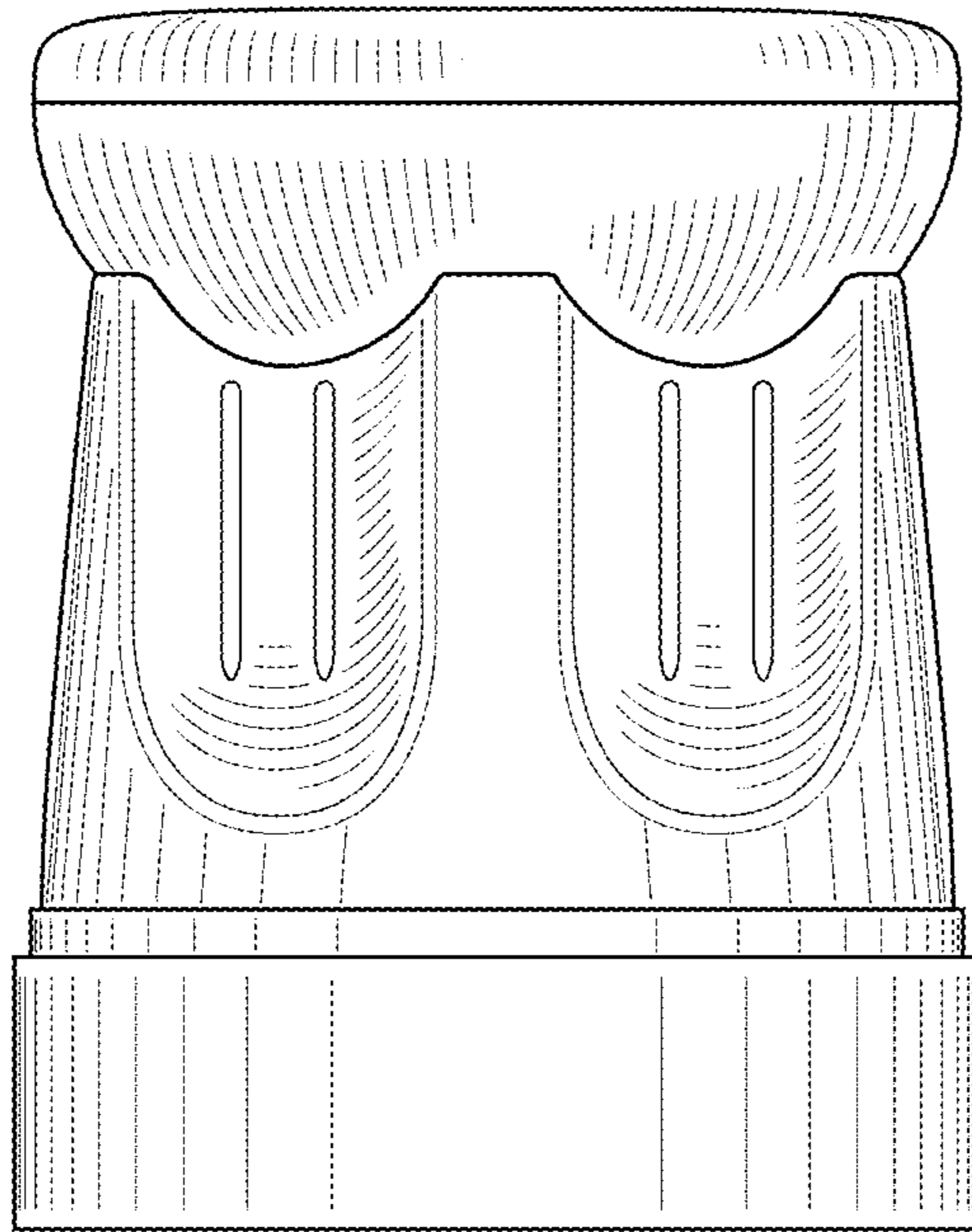


FIG. 3

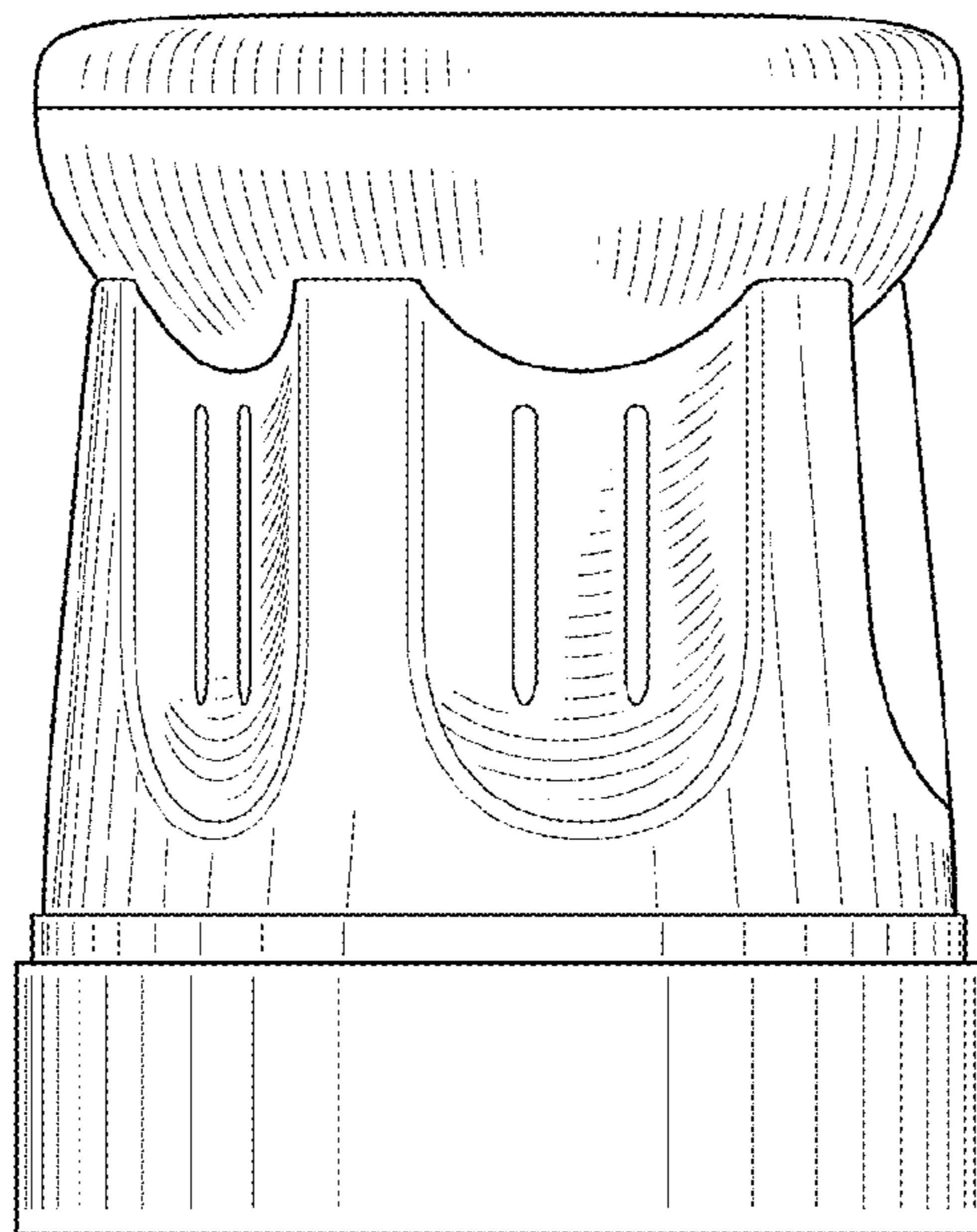


FIG. 4

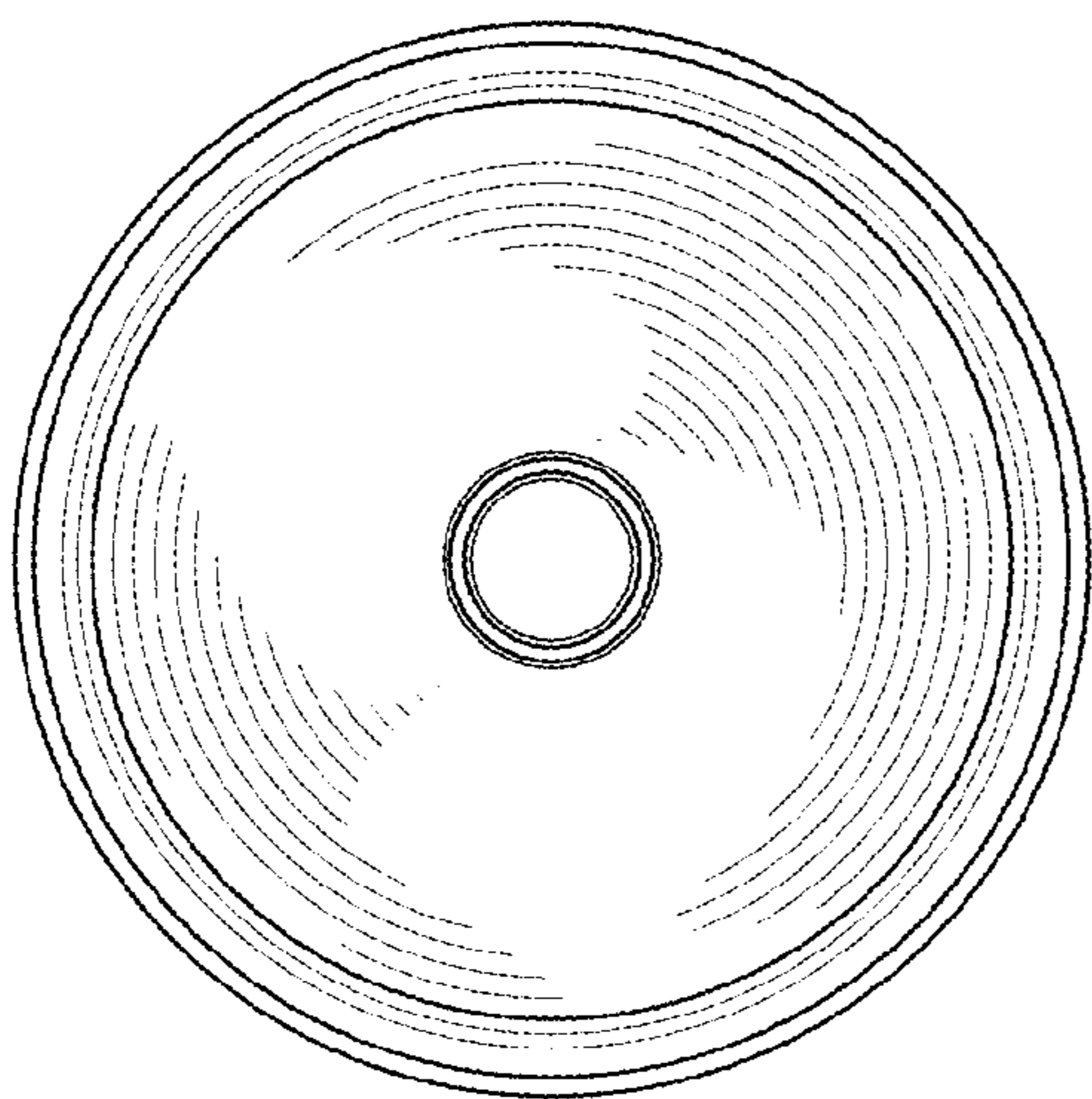


FIG. 5

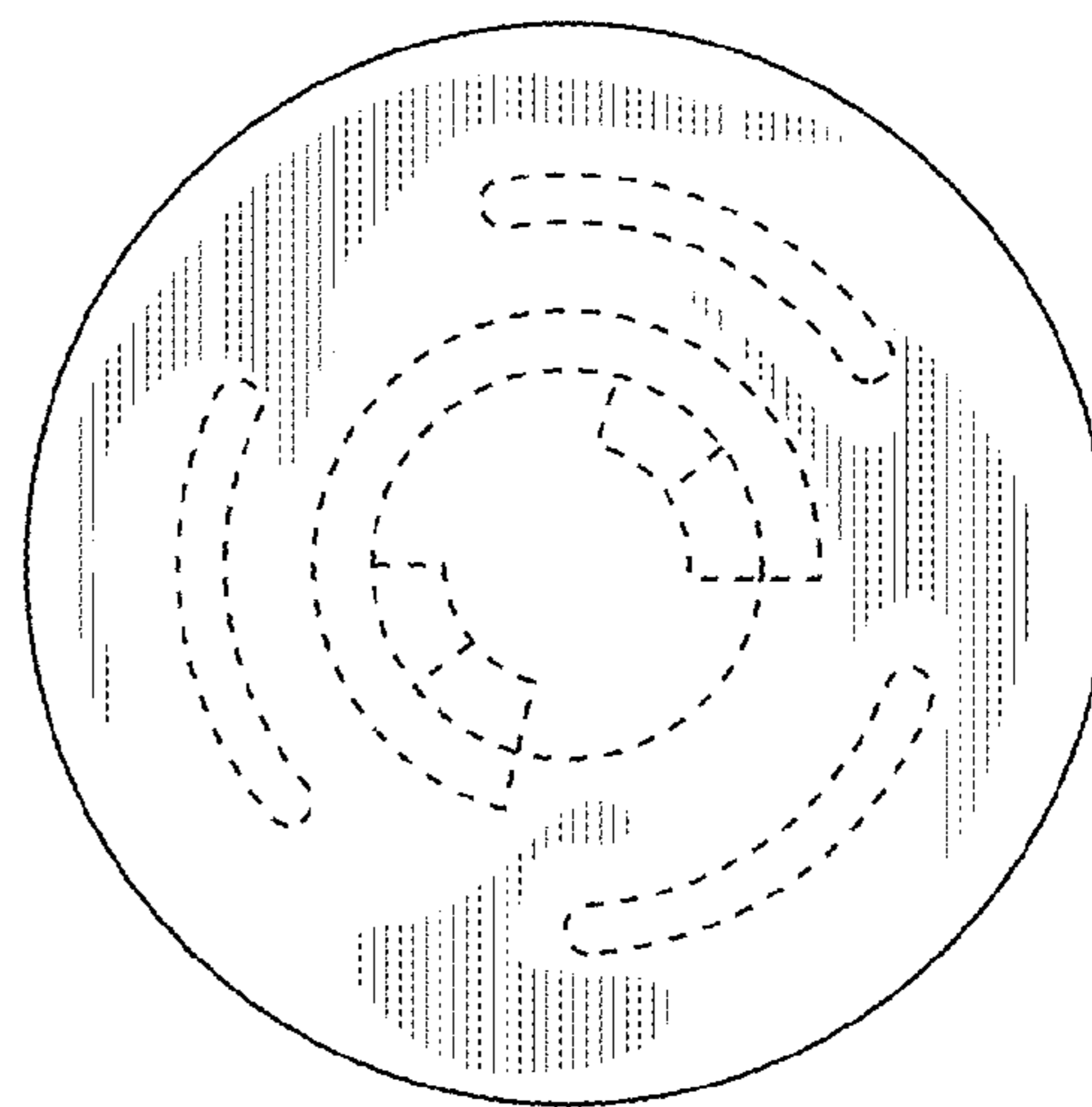


FIG. 6