



US00D681456S

(12) **United States Design Patent**  
**Agarwal et al.**

(10) **Patent No.:** **US D681,456 S**

(45) **Date of Patent:** **\*\* May 7, 2013**

(54) **ADJUSTABLE POURER**

(75) Inventors: **Dhruv Agarwal**, Seattle, WA (US); **Erin Malaspino**, Seattle, WA (US)

(73) Assignee: **True Fabrications, Inc.**, Seattle, WA (US)

(\*\*) Term: **14 Years**

(21) Appl. No.: **29/409,129**

(22) Filed: **Dec. 20, 2011**

(51) **LOC (9) Cl.** ..... **09-07**

(52) **U.S. Cl.**  
USPC ..... **D9/440; D7/398; D7/392**

(58) **Field of Classification Search** ..... D7/398,  
D7/397, 387, 213, 700, 400, 667; D9/440;  
261/DIG. 75, 76; 222/190, 189.07, 113  
See application file for complete search history.

(56) **References Cited**

U.S. PATENT DOCUMENTS

3,235,133	A *	2/1966	Zimmerman et al.	.....	222/478
D217,330	S *	4/1970	Conry	.....	D9/440
D229,826	S *	1/1974	Raptis	.....	D9/440
5,467,896	A *	11/1995	Hols	.....	222/83
D418,417	S *	1/2000	Hollinger	.....	D9/440
6,568,660	B1 *	5/2003	Flanbaum	.....	261/76
6,742,678	B1 *	6/2004	Krystopik, Jr.	.....	222/481.5
D533,776	S *	12/2006	Allen et al.	.....	D9/440

D577,997	S *	10/2008	Pan	.....	D9/440
D587,524	S *	3/2009	Allen et al.	.....	D7/398
D587,571	S *	3/2009	Gonzales, Jr.	.....	D9/440
D591,594	S *	5/2009	Jalet	.....	D9/440
7,658,306	B2 *	2/2010	Allen et al.	.....	222/481.5
D624,358	S *	9/2010	Maufette et al.	.....	D7/398
8,011,540	B1 *	9/2011	Peckels	.....	222/479
D652,251	S *	1/2012	Goralski et al.	.....	D7/397
2004/0050883	A1 *	3/2004	Wagner et al.	.....	222/484
2006/0000855	A1 *	1/2006	Allen et al.	.....	222/484
2008/0272147	A1 *	11/2008	Buker et al.	.....	222/113

\* cited by examiner

*Primary Examiner* — Marianne Pandozzi

(74) *Attorney, Agent, or Firm* — Lowe Graham Jones PLLC

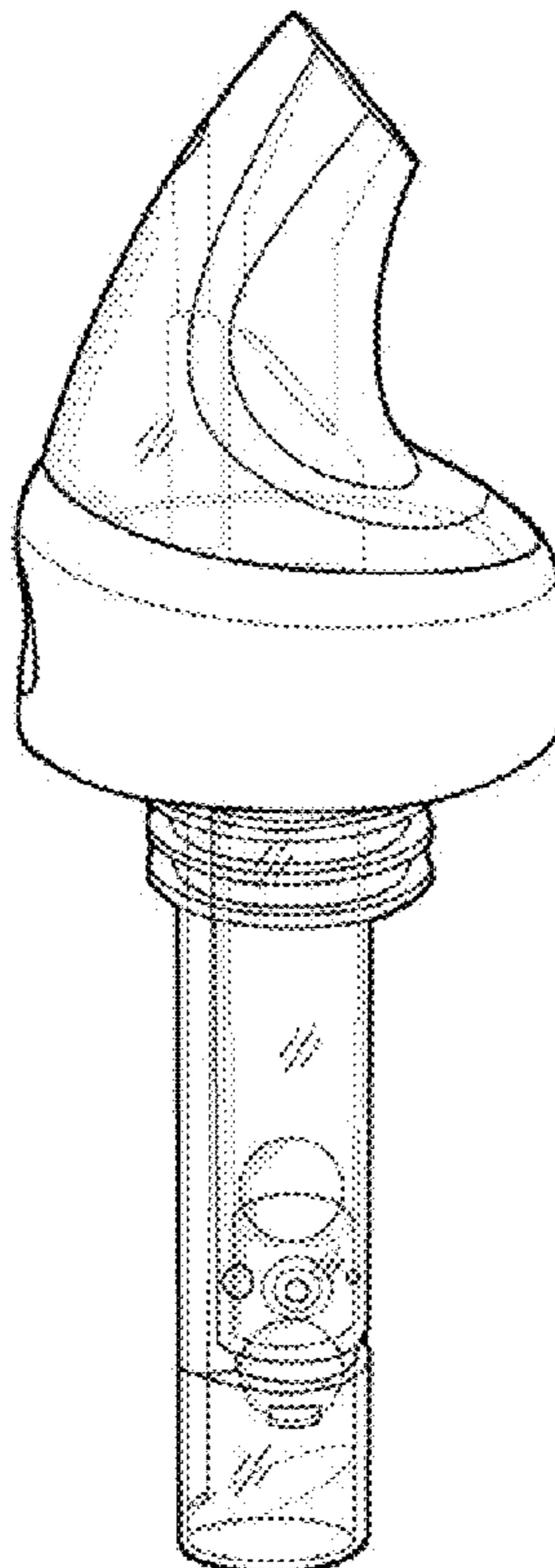
(57) **CLAIM**

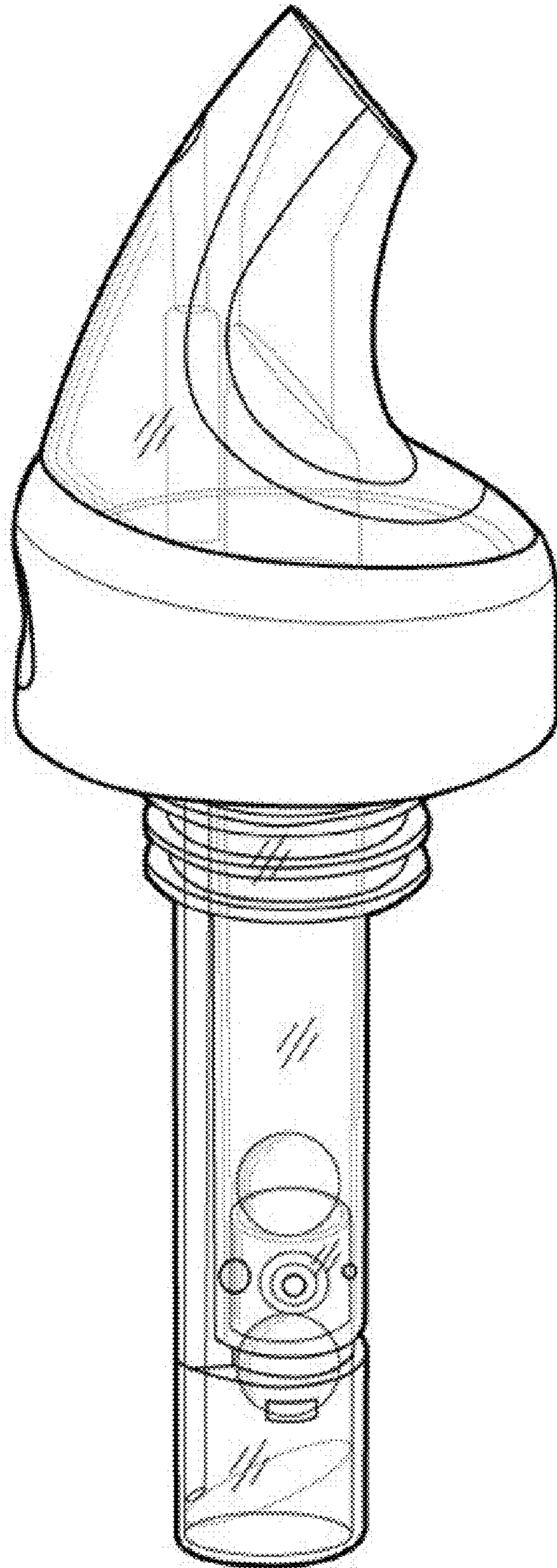
We claim the ornamental design for the adjustable pourer, as shown and described.

**DESCRIPTION**

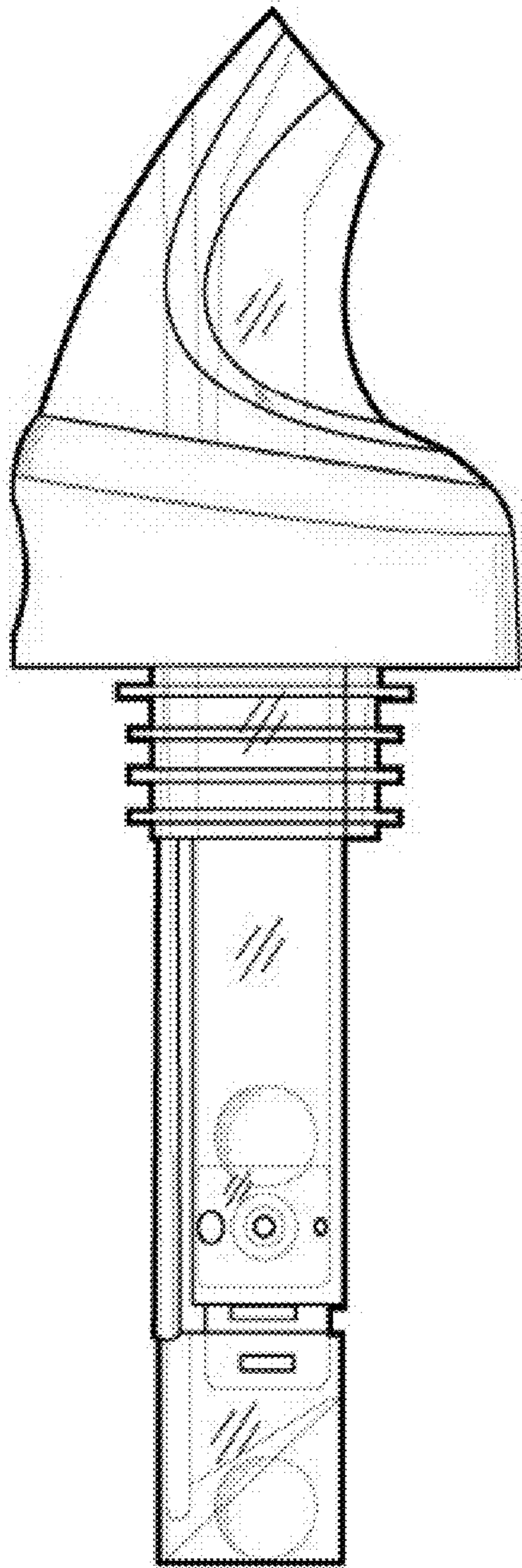
FIG. 1 is a perspective view of an adjustable pourer showing our new design;  
FIG. 2 is a left side view thereof;  
FIG. 3 is a right side view thereof;  
FIG. 4 is a top view thereof;  
FIG. 5 is a bottom plan view thereof;  
FIG. 6 is a rear view thereof; and,  
FIG. 7 is a front view thereof.

**1 Claim, 3 Drawing Sheets**

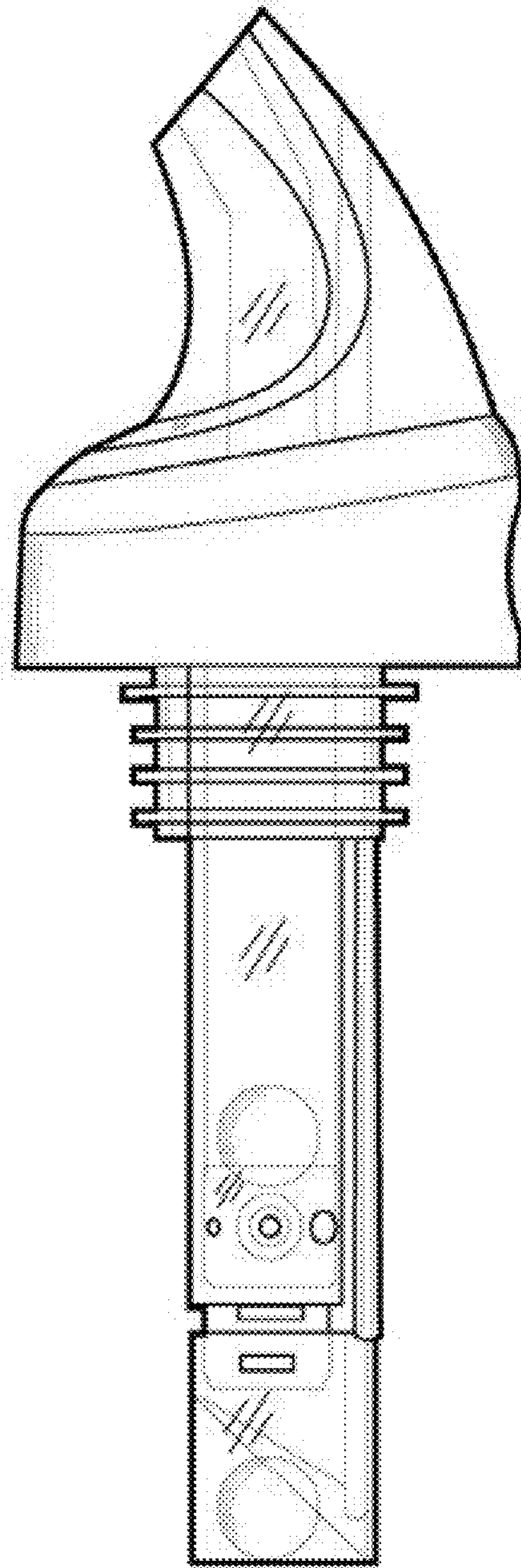




*Fig. 1*



*Fig. 2*



*Fig. 3*



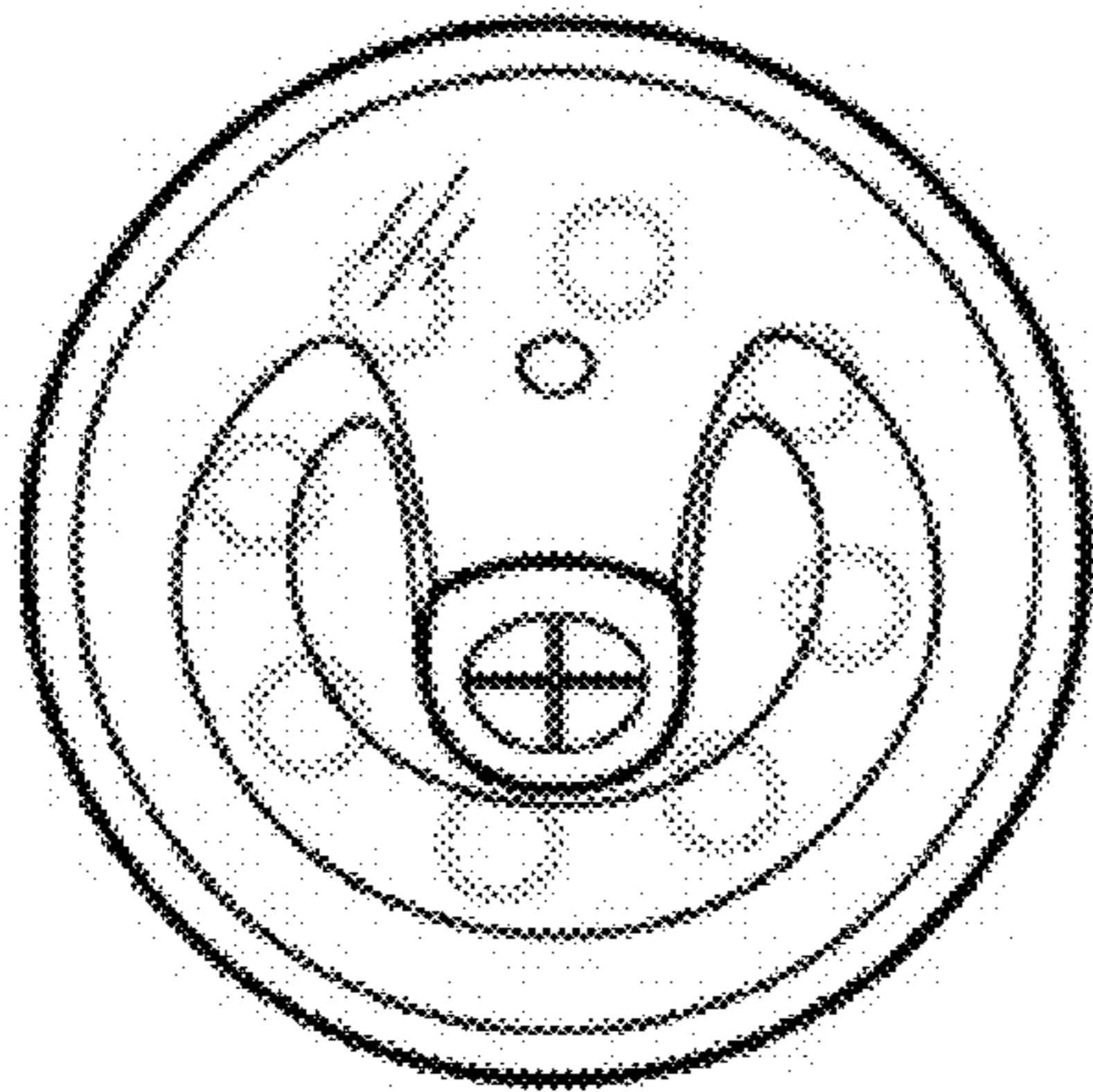


Fig. 4

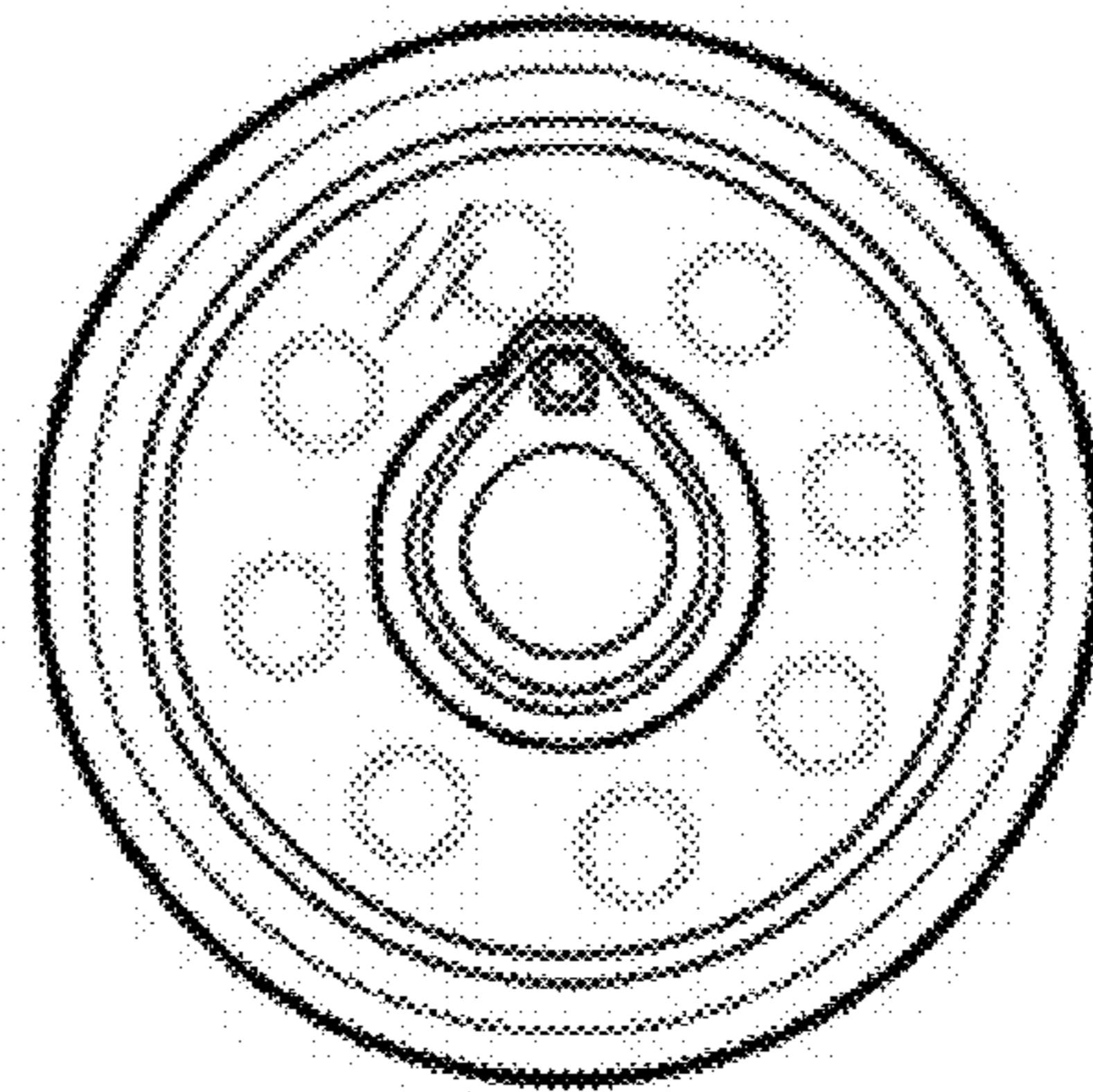


Fig. 5

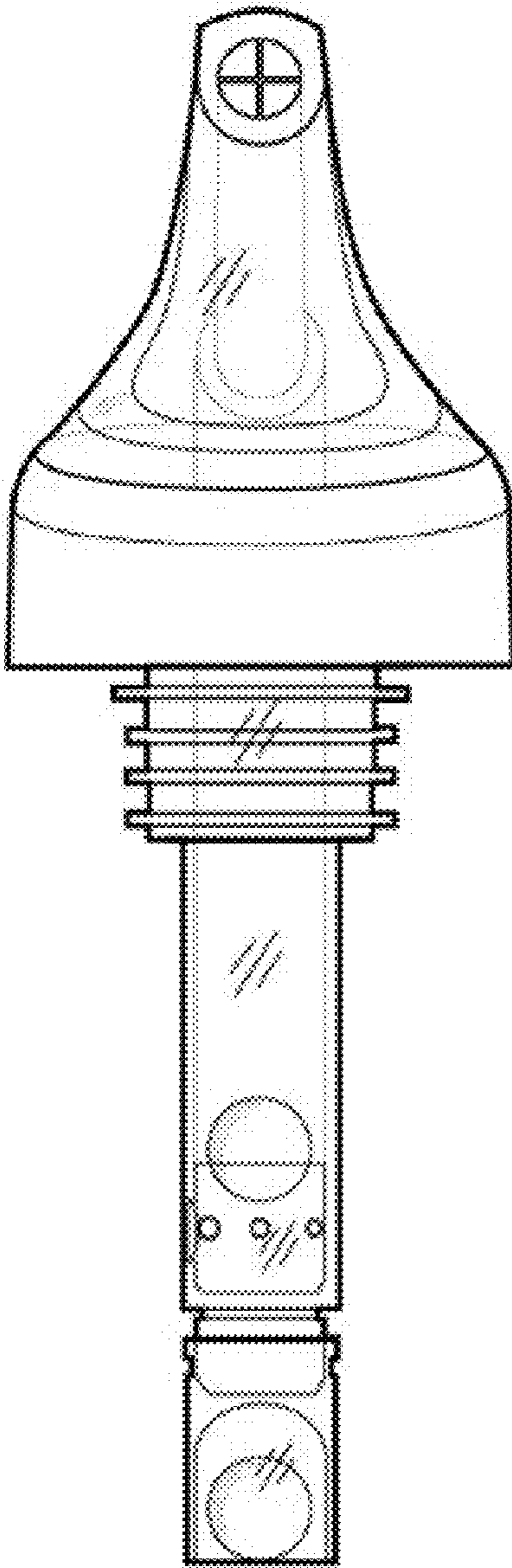


Fig. 6

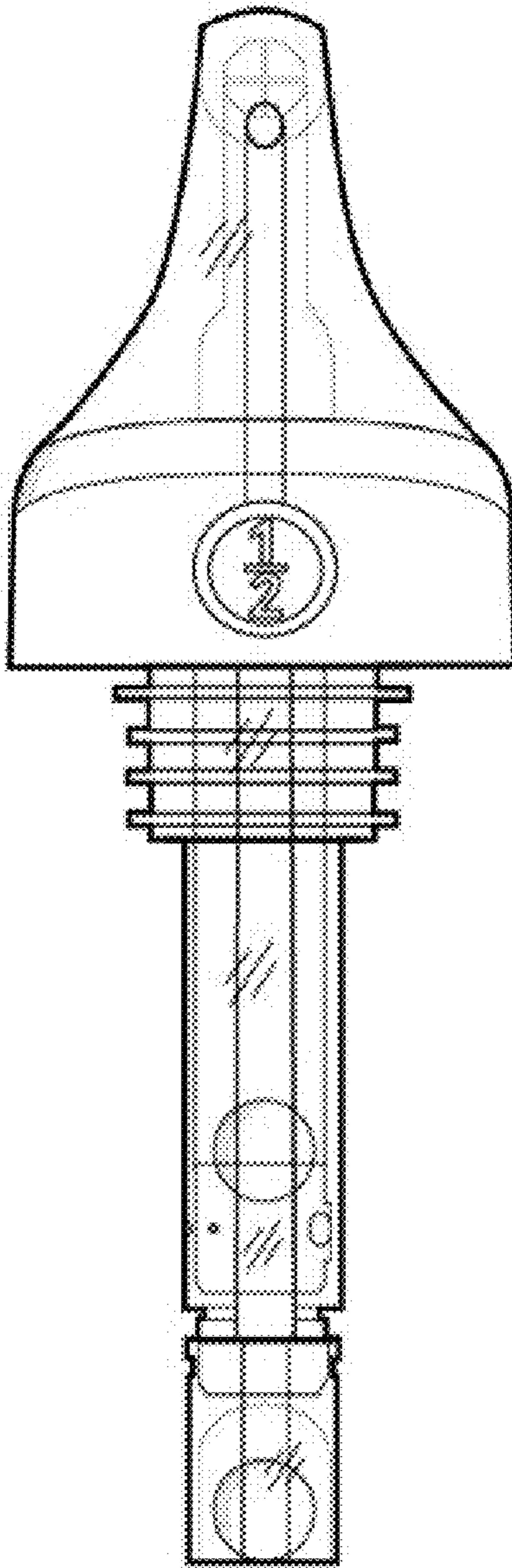


Fig. 7