



US00D681453S

(12) **United States Design Patent**
Glass et al.

(10) **Patent No.:** **US D681,453 S**

(45) **Date of Patent:** **** May 7, 2013**

(54) **TRANSACTION CARD PACKET**
(75) Inventors: **Brett R. Glass**, Overland Park, KS (US);
Nicole E. Glass, Overland Park, KS (US)

D599,849 S * 9/2009 Halbur et al. D19/10
D622,995 S * 9/2010 Beraha D6/595
D642,936 S * 8/2011 Hoppner et al. D9/722
D661,090 S * 6/2012 Lazarowicz et al. D3/249

(73) Assignee: **Gift Card Impressions, LLC**, Overland Park, KS (US)

* cited by examiner

(**) Term: **14 Years**

Primary Examiner — Robert M Spear

Assistant Examiner — Vy Koenig

(21) Appl. No.: **29/412,219**

(74) *Attorney, Agent, or Firm* — Polsinelli Shughart PC

(22) Filed: **Jan. 31, 2012**

(57) **CLAIM**

(51) **LOC (9) Cl.** **09-03**

The ornamental design for a transaction card packet, as shown and described.

(52) **U.S. Cl.**

USPC **D9/433**

(58) **Field of Classification Search** D9/430-433,
D9/414, 420, 499; 206/1.5, 223, 527, 784;
D3/247, 249; 229/100, 124, 126, 800, 125.37;
220/62, 836, 837, 890; D19/9-10; D20/40;
224/610; 150/147

DESCRIPTION

See application file for complete search history.

FIG. 1 is a front perspective view of a transaction card packet according to an embodiment of the invention;
FIG. 2 is a top plan view of the transaction card packet of FIG. 1;
FIG. 3 is a front elevation view of the transaction card packet of FIG. 1;
FIG. 4 is a right elevation view of the transaction card packet of FIG. 1, the left elevation view being a mirror image thereof;
FIG. 5 is rear elevation view of the transaction card packet of FIG. 1; and,
FIG. 6 is a bottom plan view of the transaction card packet of FIG. 1.

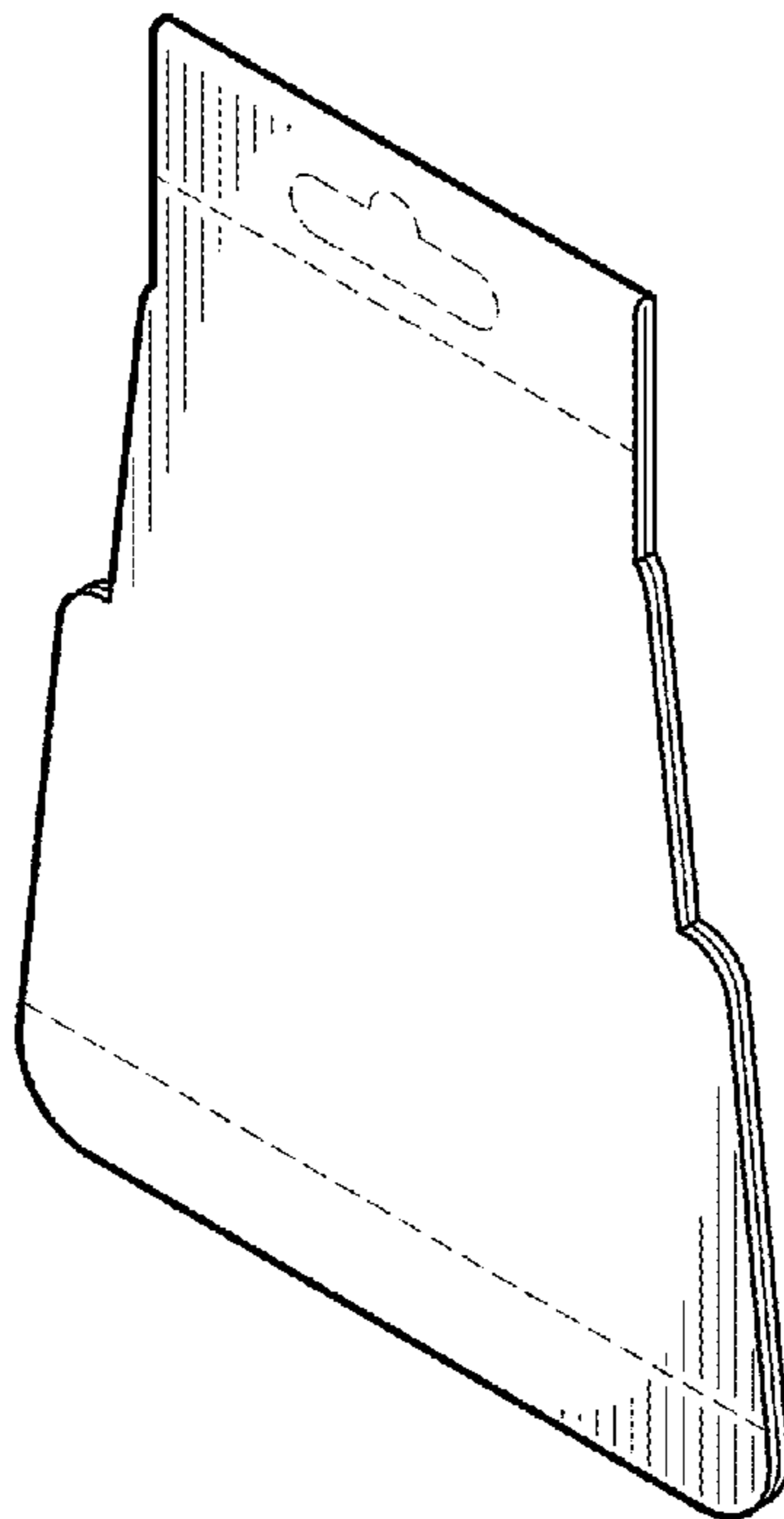
(56) **References Cited**

U.S. PATENT DOCUMENTS

3,829,995 A * 8/1974 Fakoury 40/649
D317,675 S * 6/1991 Shipp et al. D3/247
D413,438 S * 9/1999 Nicholas D3/247
D427,526 S * 7/2000 Correll D9/433
D453,337 S * 2/2002 Pentz et al. D14/436
D509,654 S * 9/2005 Miller D3/247
D524,858 S * 7/2006 Graves et al. D19/9
D548,593 S * 8/2007 Keberlein et al. D9/433
D556,265 S * 11/2007 Cuzzocrea D20/40
D579,770 S * 11/2008 Pedersen et al. D9/433

The broken lines in FIGS. 1, 3 and 5 illustrate environmental subject matter and form no part of the claimed design.

1 Claim, 1 Drawing Sheet



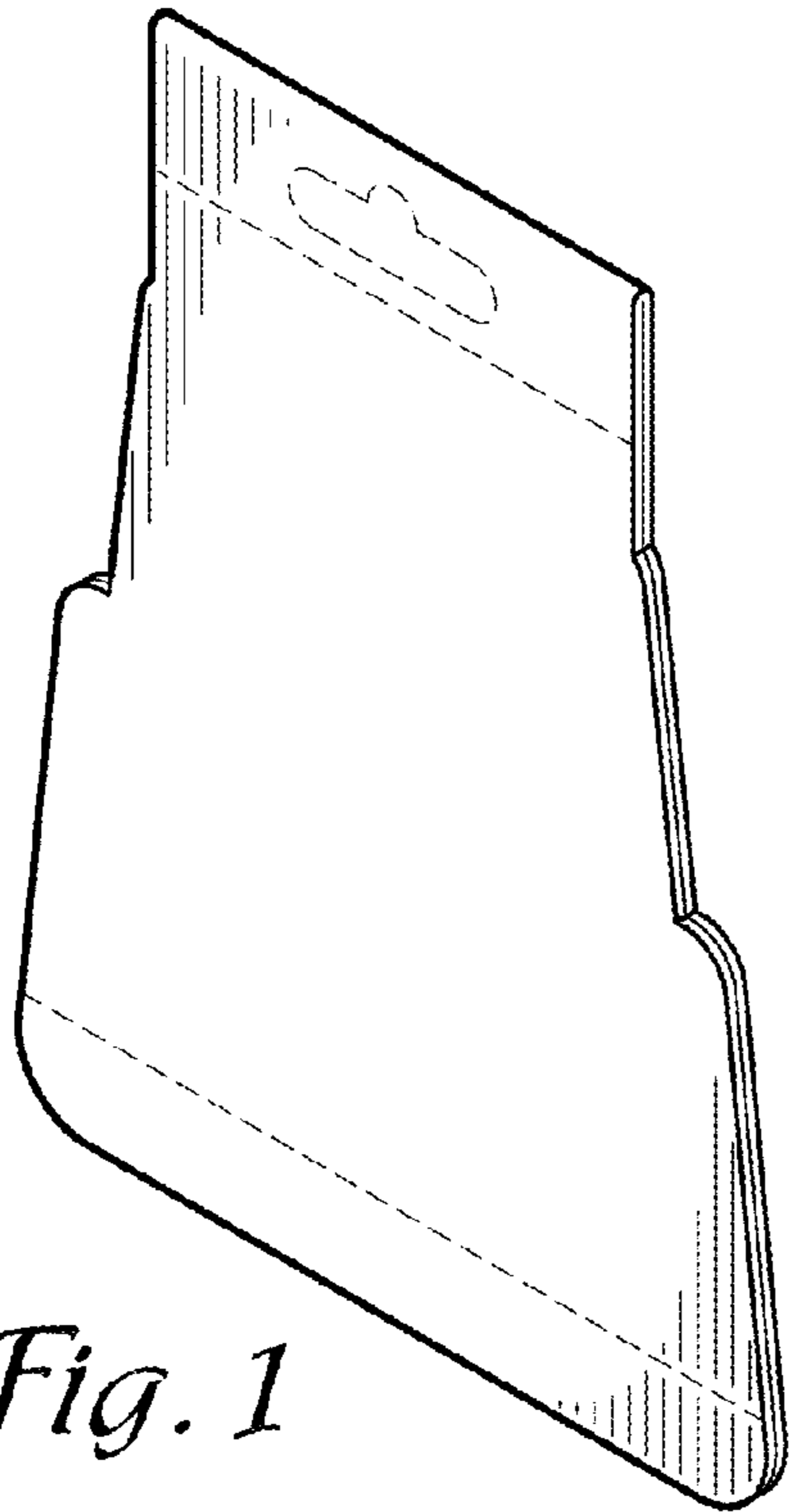


Fig. 1

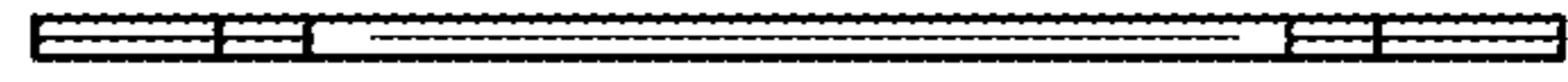


Fig. 2

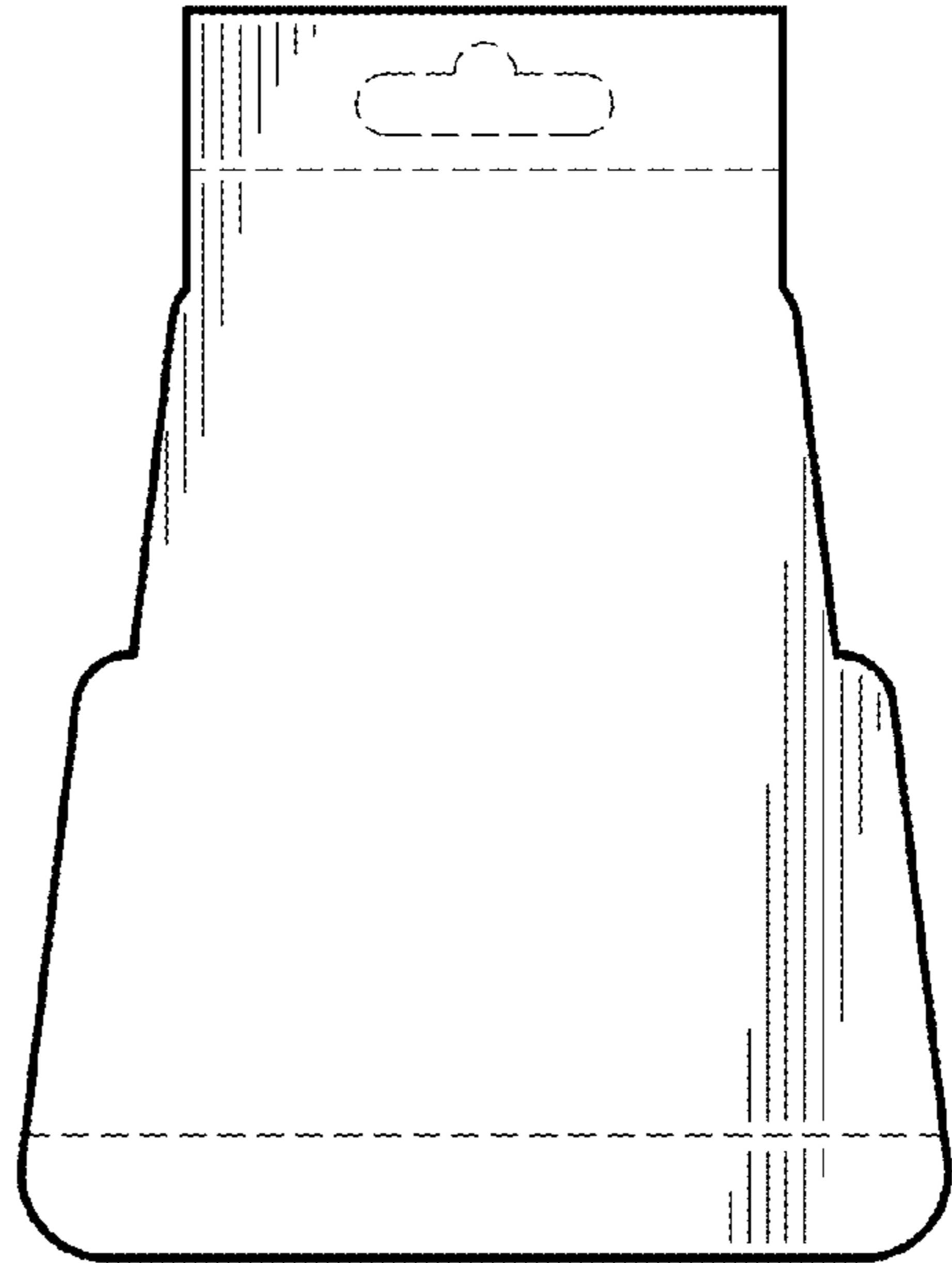


Fig. 3



Fig. 4

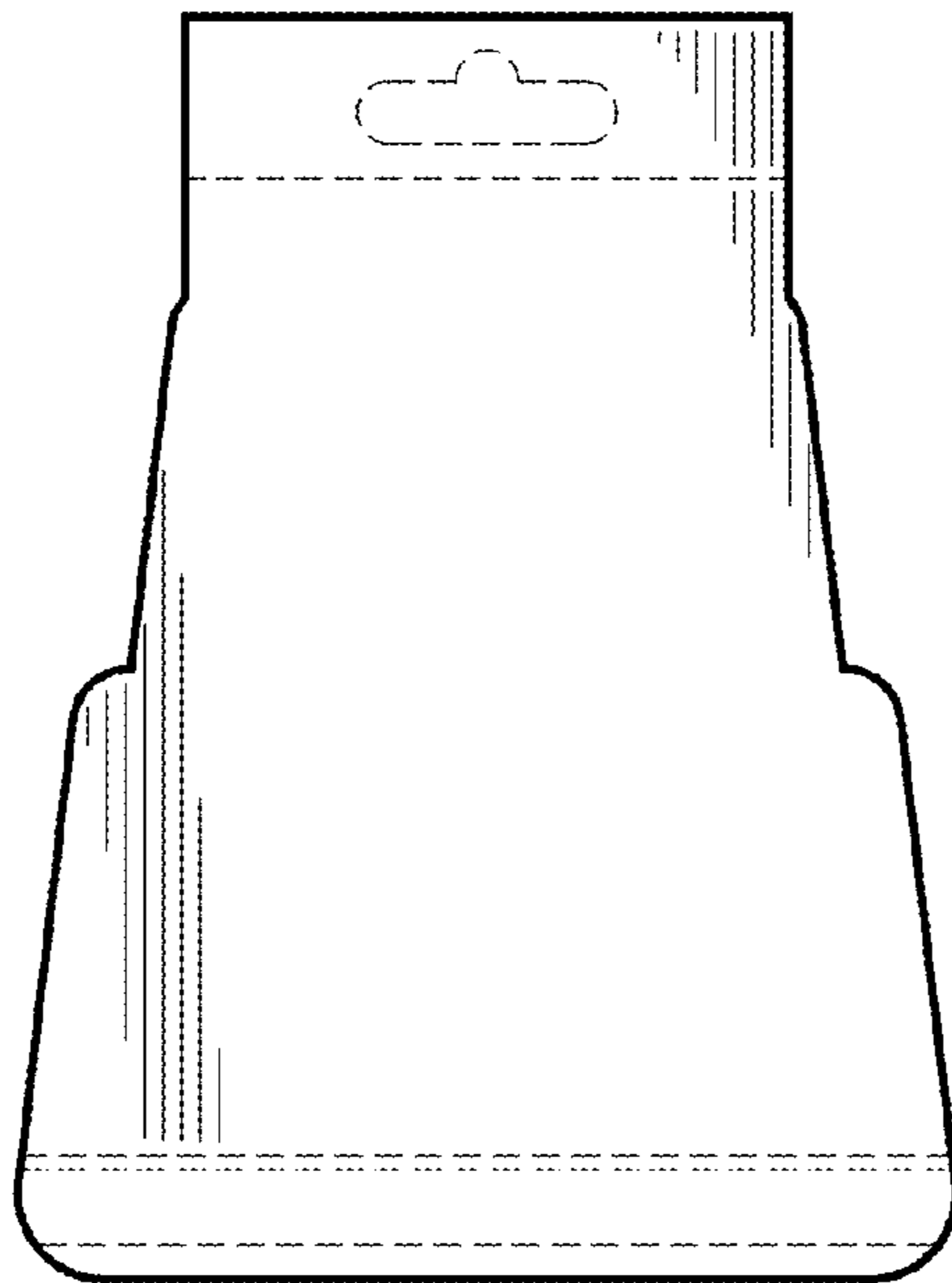


Fig. 5

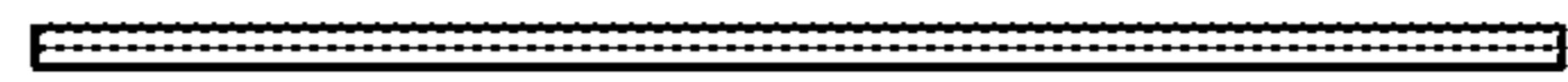


Fig. 6