



US00D681450S

(12) **United States Design Patent**  
**Wichmann**

(10) **Patent No.:** **US D681,450 S**

(45) **Date of Patent:** **\*\* May 7, 2013**

(54) **SQUARE BOWL AND LID**

(75) **Inventor:** **Matthew J Wichmann**, Crescent Springs, KY (US)

(73) **Assignee:** **Waddington North America, Inc.**, North Chelmsford, MA (US)

(\*\*) **Term:** **14 Years**

(21) **Appl. No.:** **29/398,984**

(22) **Filed:** **Aug. 8, 2011**

(51) **LOC (9) Cl.** ..... **09-03**

(52) **U.S. Cl.**  
USPC ..... **D9/432**

(58) **Field of Classification Search** ..... D9/414,  
D9/416, 418, 420-424, 430-433; D3/272;  
206/267, 269, 270, 273, 299, 421, 454, 457,  
206/737, 740, 822, 775-778, 784; 229/100,  
229/101, 101.3, 106, 108-122, 117.05-117.09,  
229/117.24, 117.26, 221, 222, 227, 902,  
229/939, 941, 942

See application file for complete search history.

(56) **References Cited**

**U.S. PATENT DOCUMENTS**

D272,595 S	*	2/1984	Chase et al.	.....	D7/629
D364,090 S	*	11/1995	Krupa	.....	D9/429
D402,854 S	*	12/1998	Benson	.....	D7/584
D489,254 S	*	5/2004	Kocis et al.	.....	D9/425
D510,843 S	*	10/2005	Vovan	.....	D7/584
D527,956 S	*	9/2006	Doliwa	.....	D7/629
D544,755 S	*	6/2007	Diesman	.....	D7/602
D554,498 S	*	11/2007	Lovett	.....	D9/425
D573,411 S	*	7/2008	Lovett	.....	D7/554.3
D588,417 S	*	3/2009	Doliwa	.....	D7/629

D591,148 S	*	4/2009	Parikh et al.	.....	D9/425
D595,572 S	*	7/2009	Snedden et al.	.....	D9/435
D595,573 S	*	7/2009	Snedden et al.	.....	D9/435
D600,113 S	*	9/2009	Edwards et al.	.....	D9/425
D601,858 S	*	10/2009	Snedden et al.	.....	D7/602
D603,223 S	*	11/2009	Snedden et al.	.....	D7/542
D603,654 S	*	11/2009	Snedden et al.	.....	D7/540
D609,532 S	*	2/2010	Koennecke	.....	D7/584

\* cited by examiner

*Primary Examiner* — Robert M Spear

*Assistant Examiner* — Vy Koenig

(74) *Attorney, Agent, or Firm* — Maine Cernota & Rardin

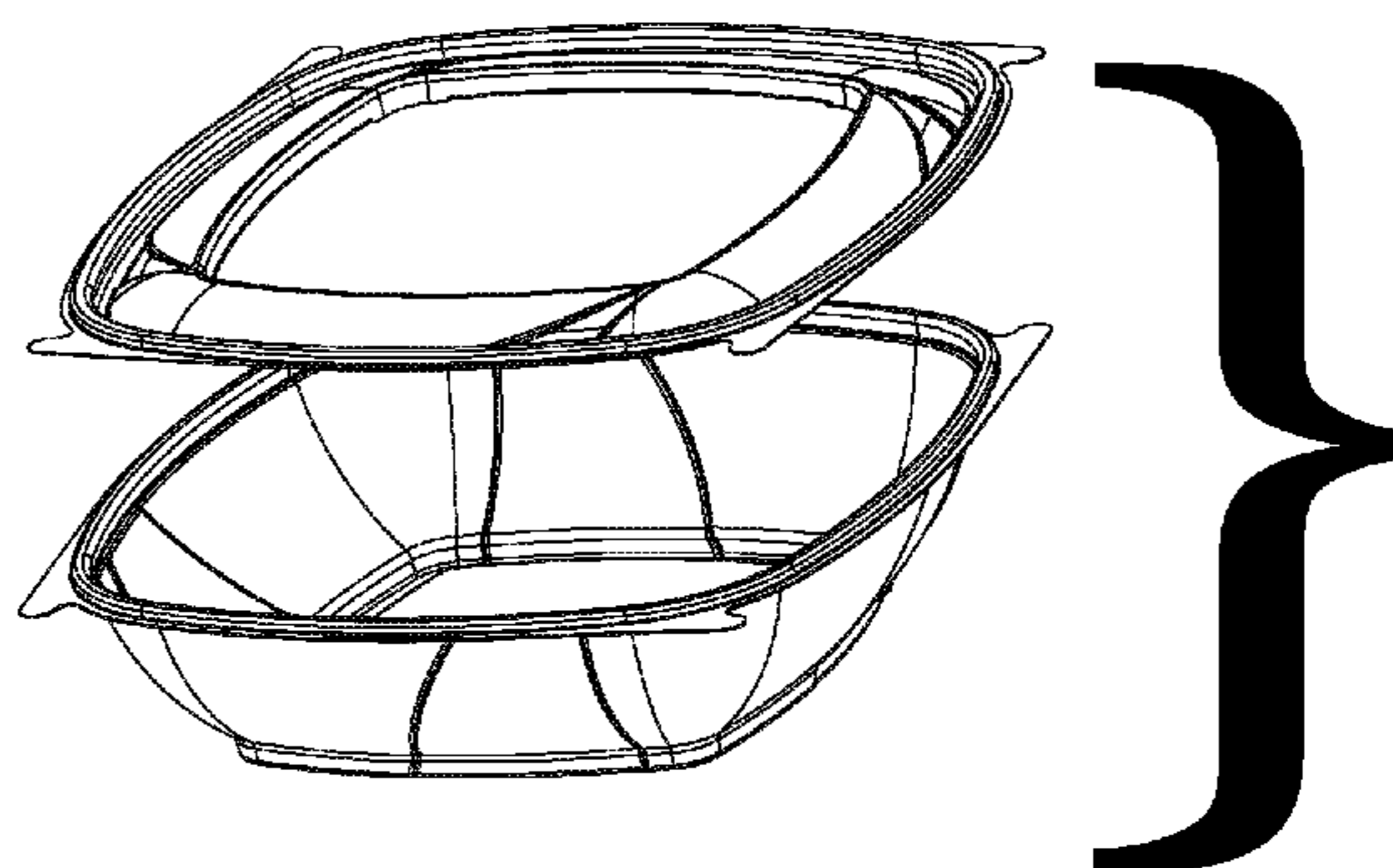
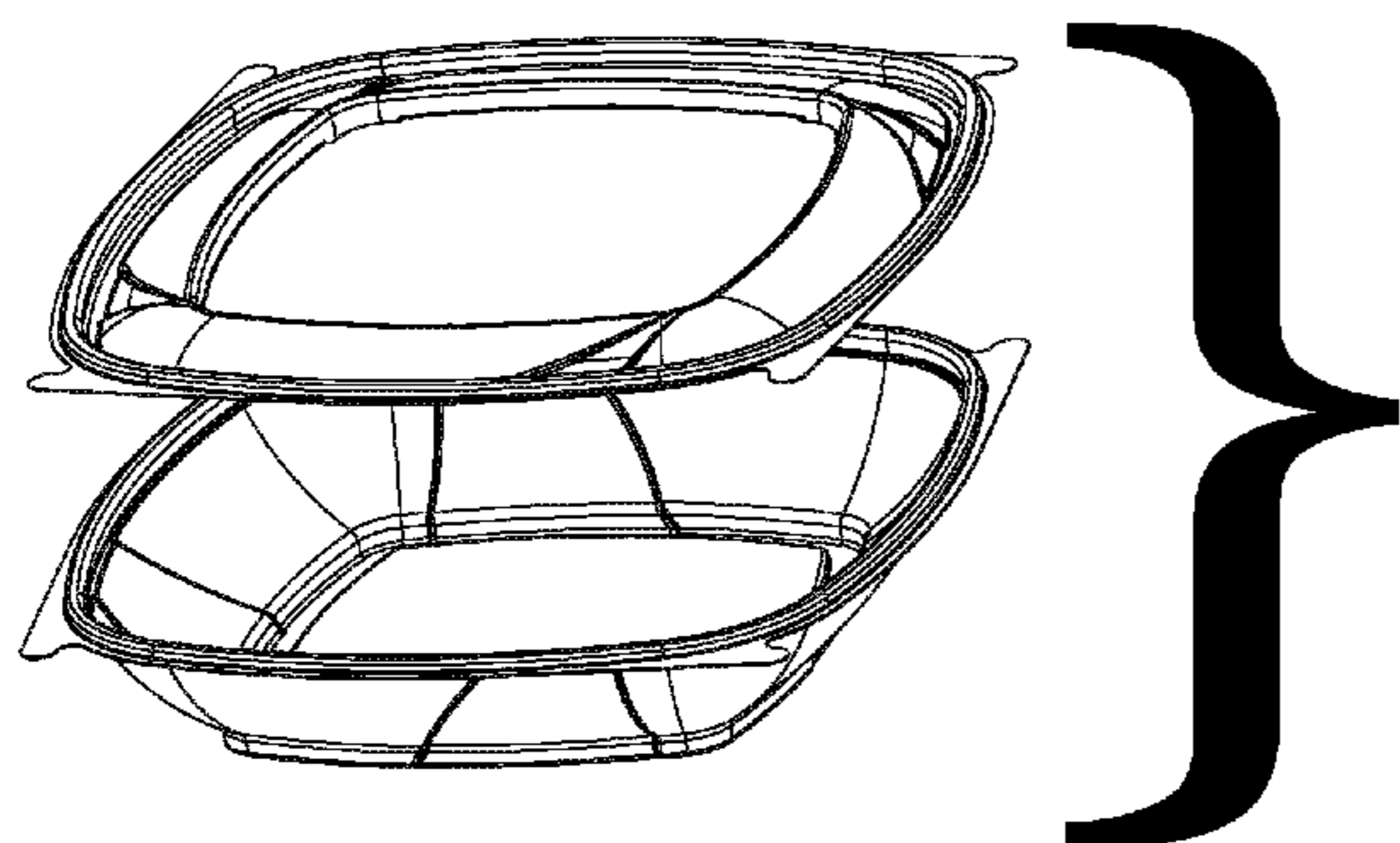
(57) **CLAIM**

The ornamental design for a square bowl and lid, as shown and described.

**DESCRIPTION**

FIG. 1 is a front, top perspective view of the first embodiment of the square bowl and lid;  
 FIG. 2 is a front, bottom perspective view thereof;  
 FIG. 3 is a front, side view thereof;  
 FIG. 4 is a front, side view thereof, bowl only;  
 FIG. 5 is a top perspective view thereof, bowl only;  
 FIG. 6 is a bottom view thereof, bowl only;  
 FIG. 7 is a top view thereof, lid only;  
 FIG. 8 is a front, top perspective view thereof, lid only;  
 FIG. 9 is a front, side view thereof, lid only;  
 FIG. 10 is a front, top perspective view of the second embodiment of the square bowl and lid;  
 FIG. 11 is a front, bottom perspective view thereof;  
 FIG. 12 is a front, side view thereof;  
 FIG. 13 is a front, side view thereof, bowl only;  
 FIG. 14 is a front, top view thereof, bowl only; and,  
 FIG. 15 is a bottom view thereof, bowl only.

**1 Claim, 5 Drawing Sheets**



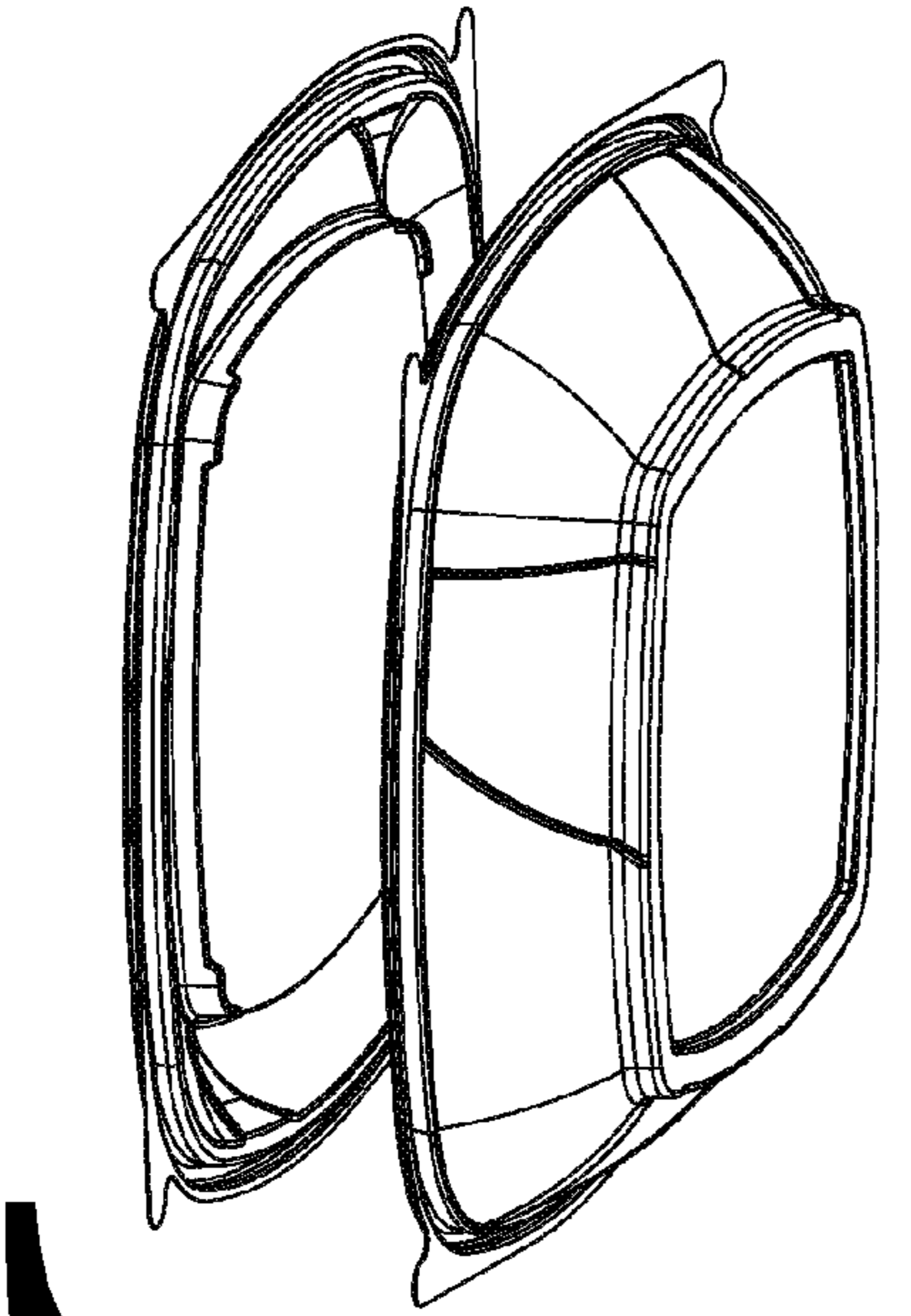


FIG. 1

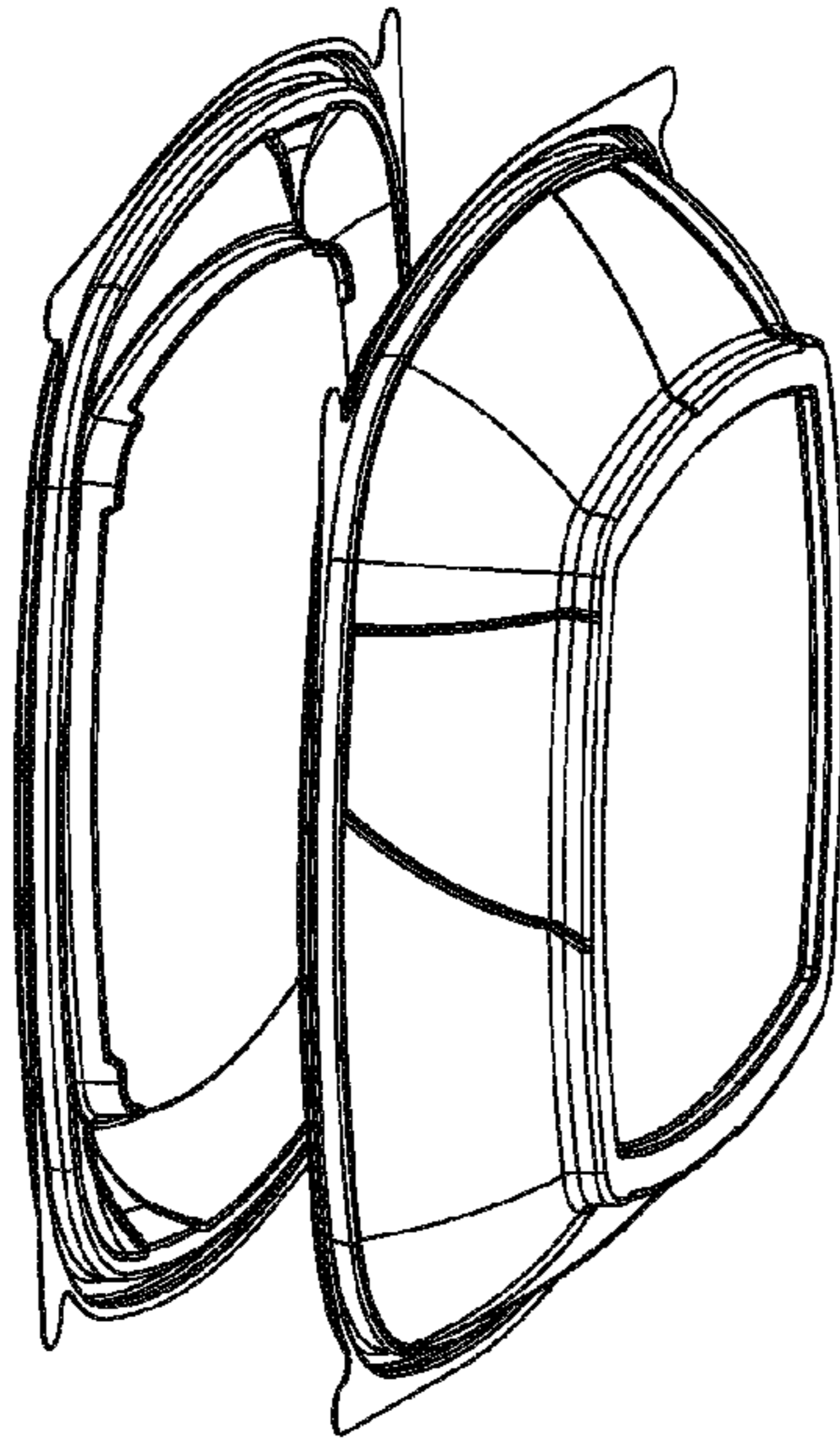
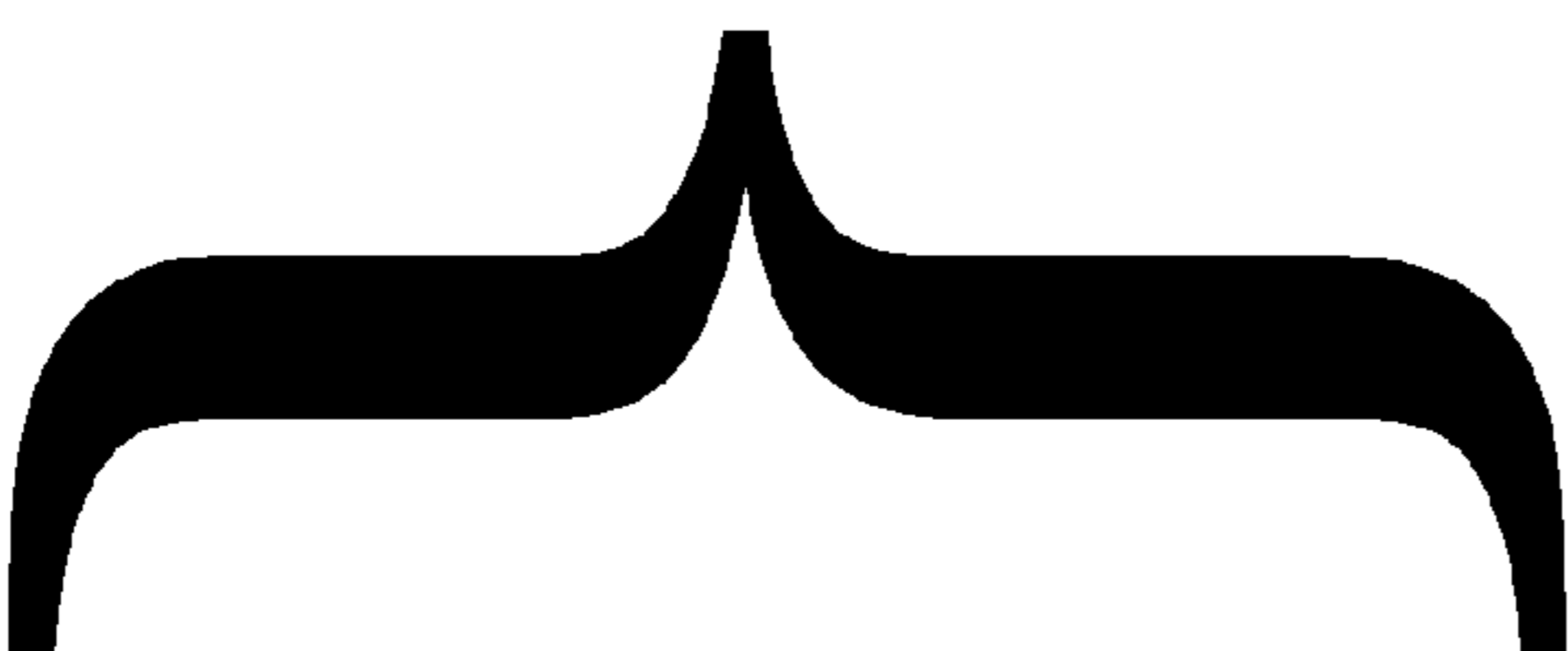


FIG. 2

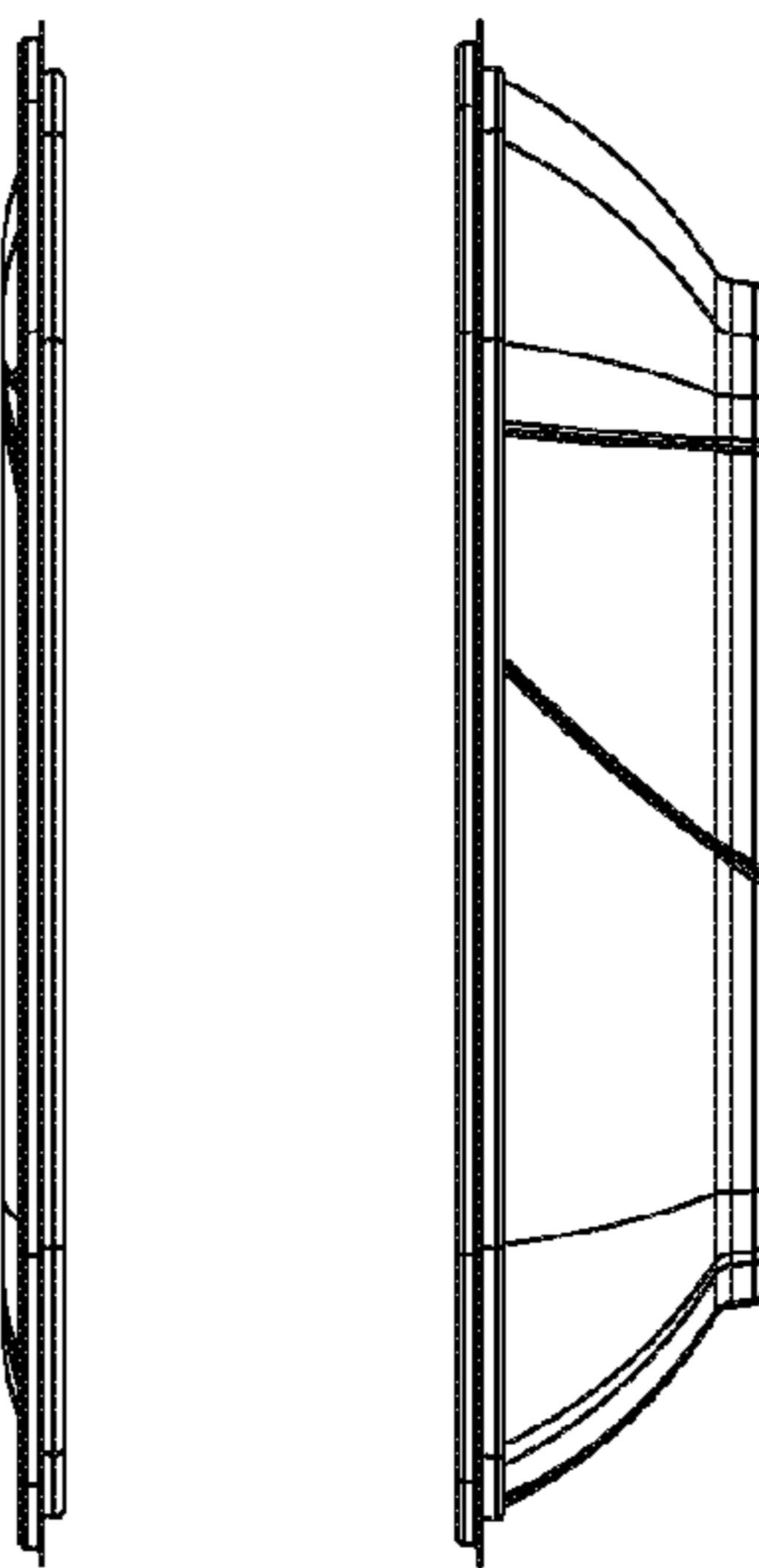


FIG. 3

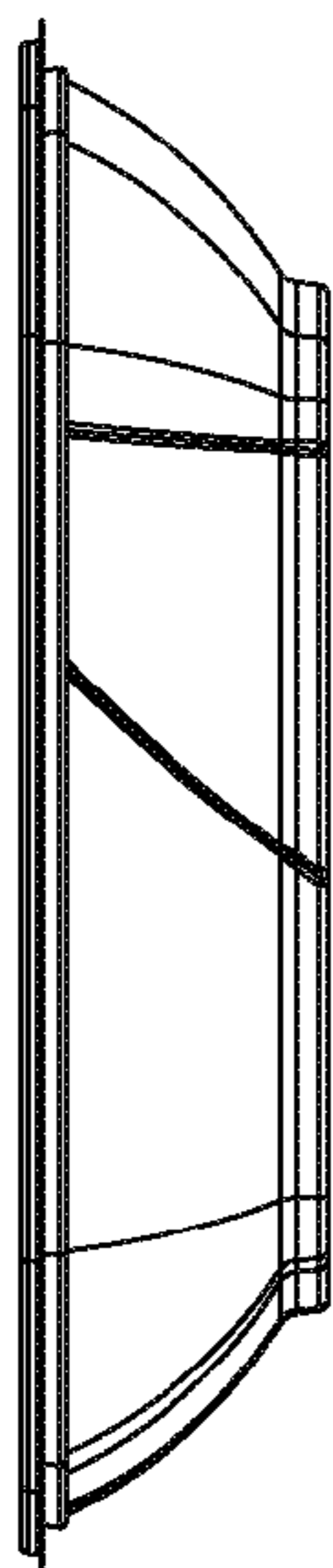


FIG. 4

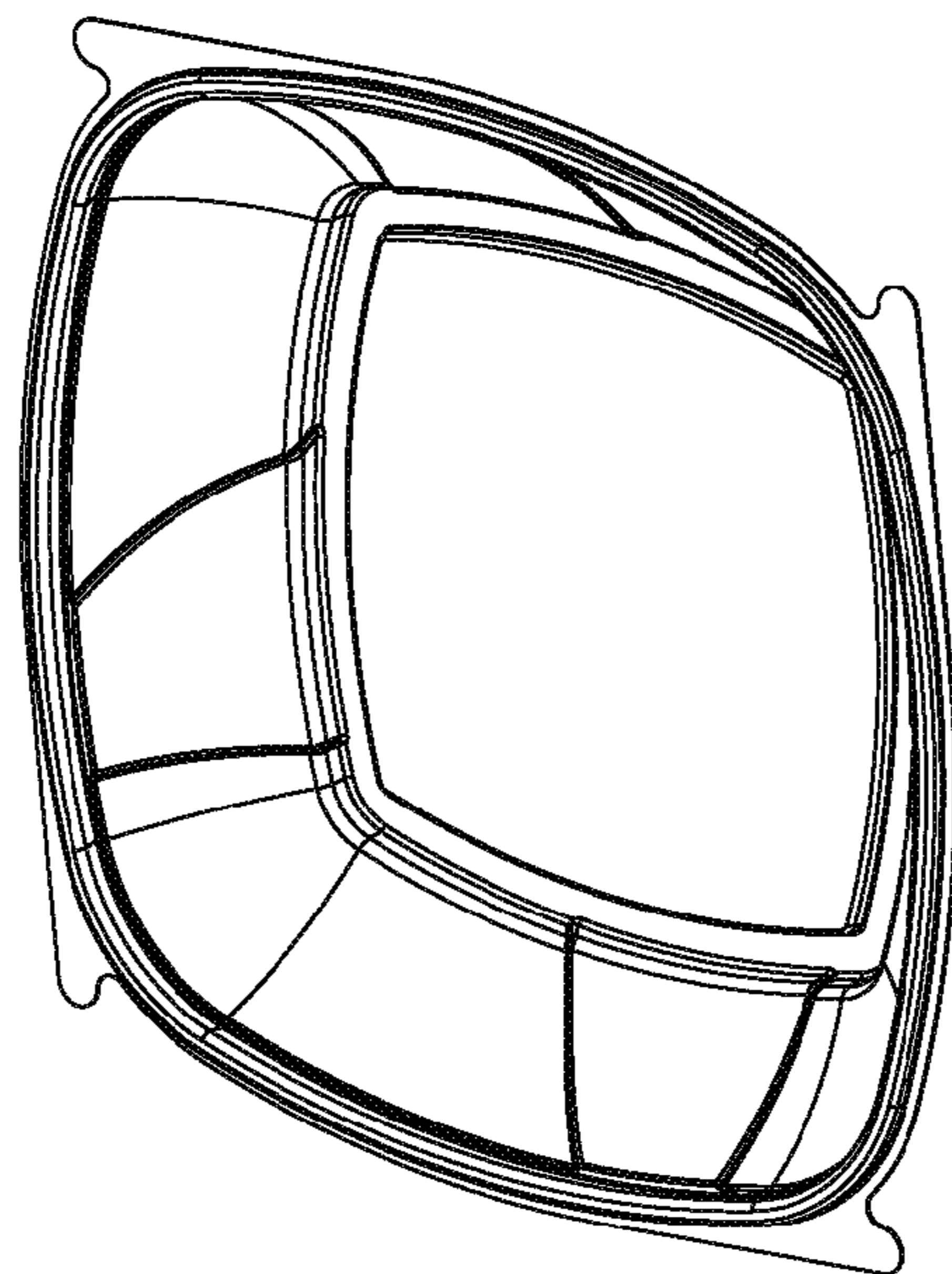


FIG. 5

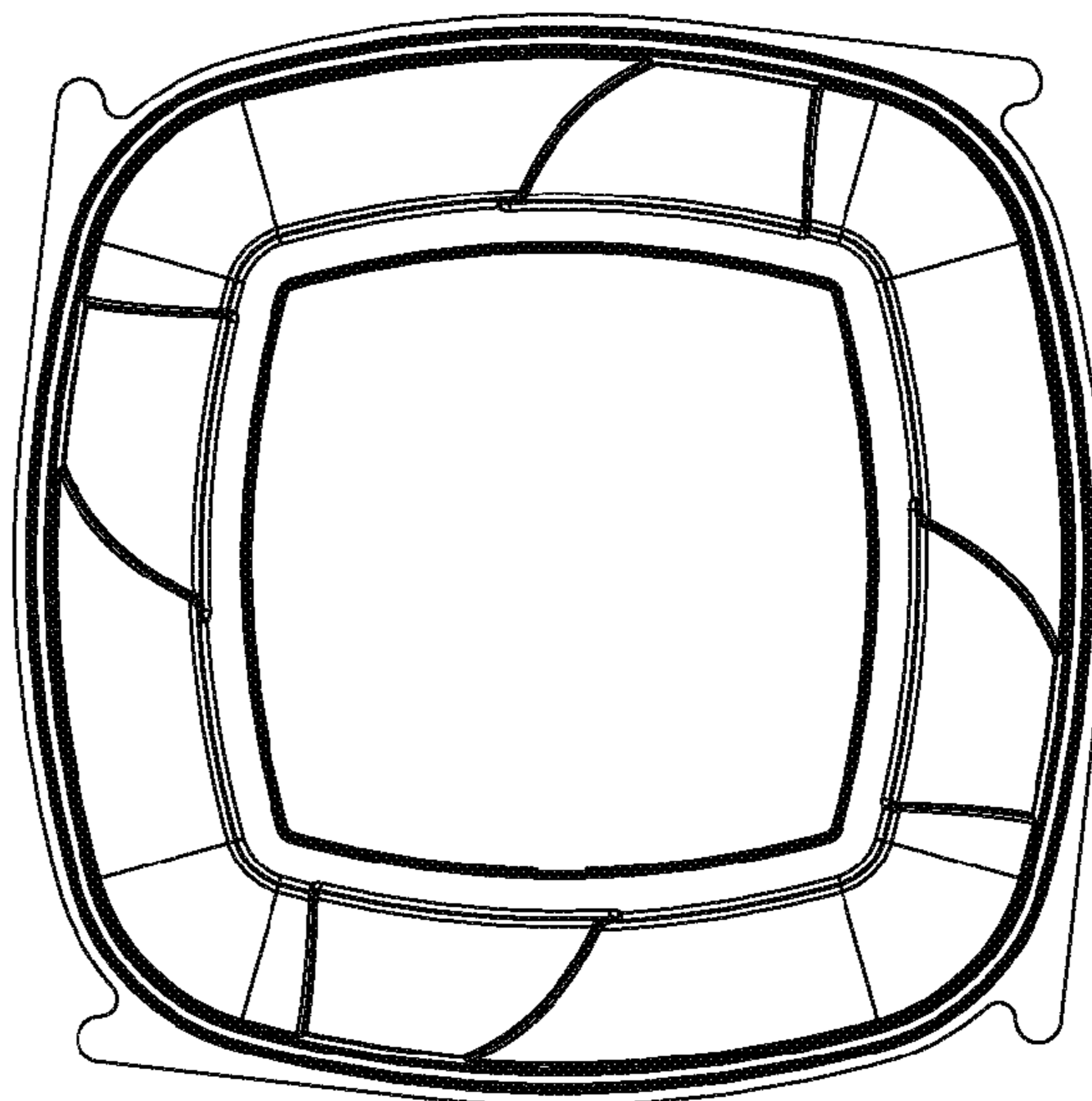


FIG. 6



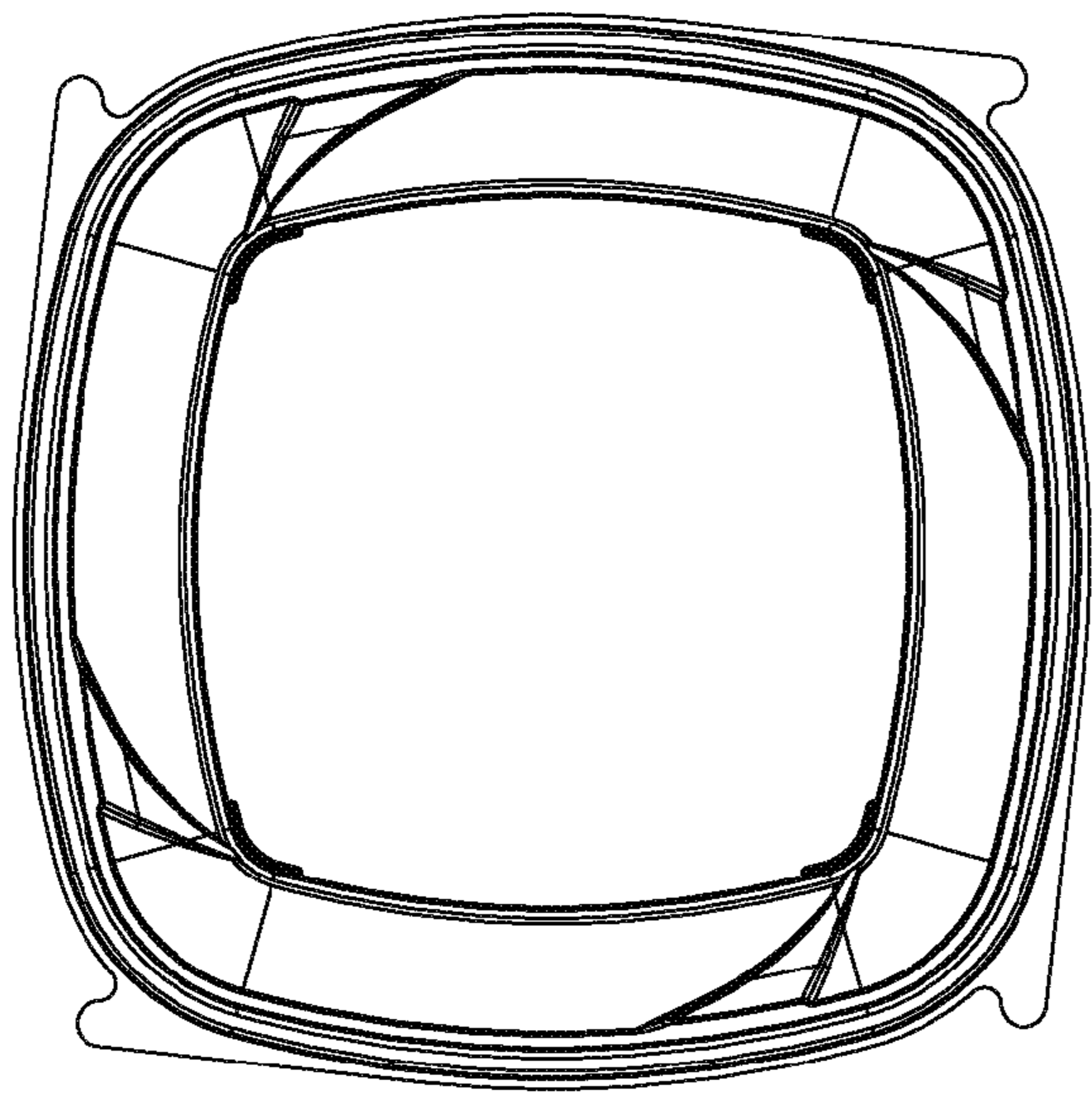


FIG. 7

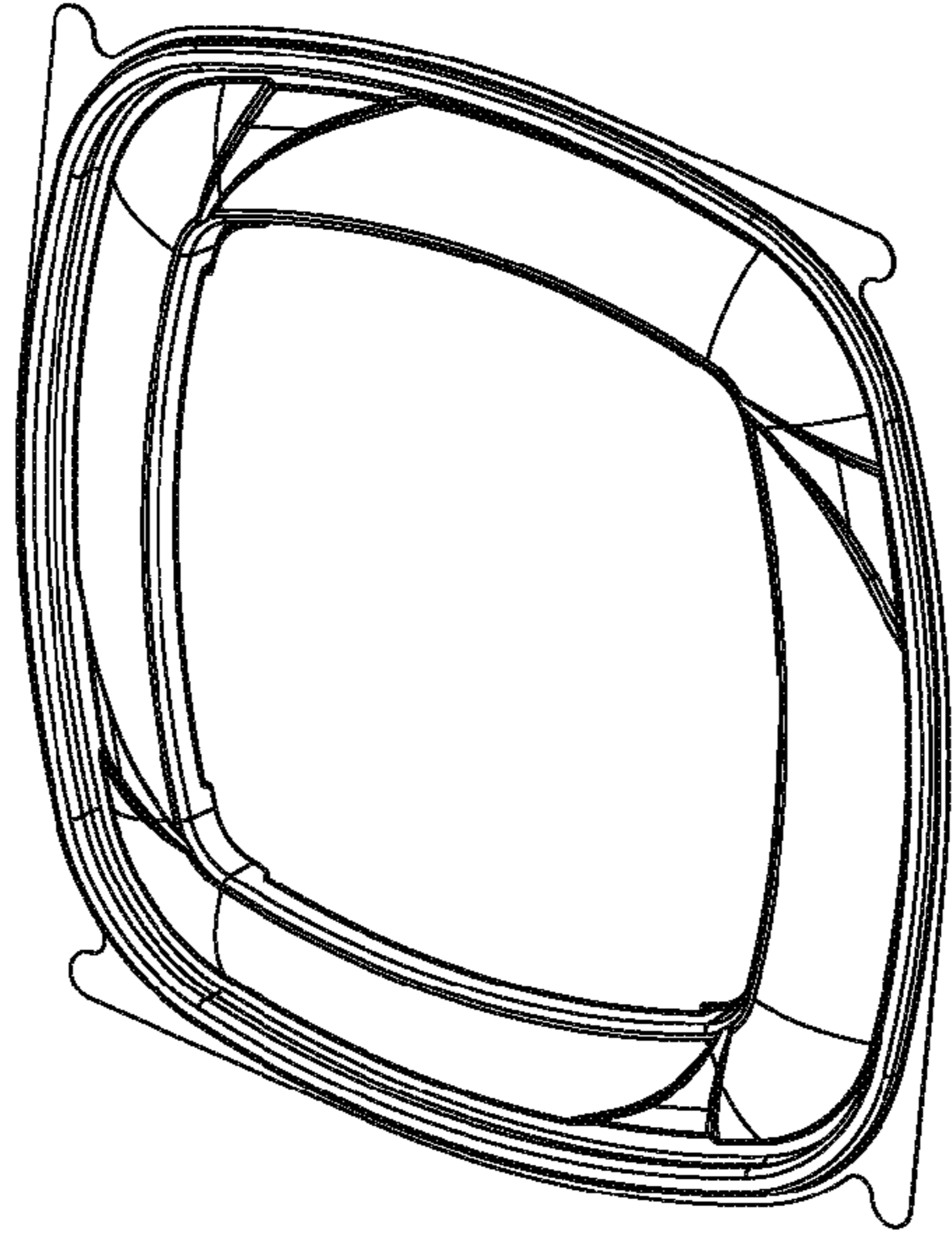


FIG. 8



FIG. 9

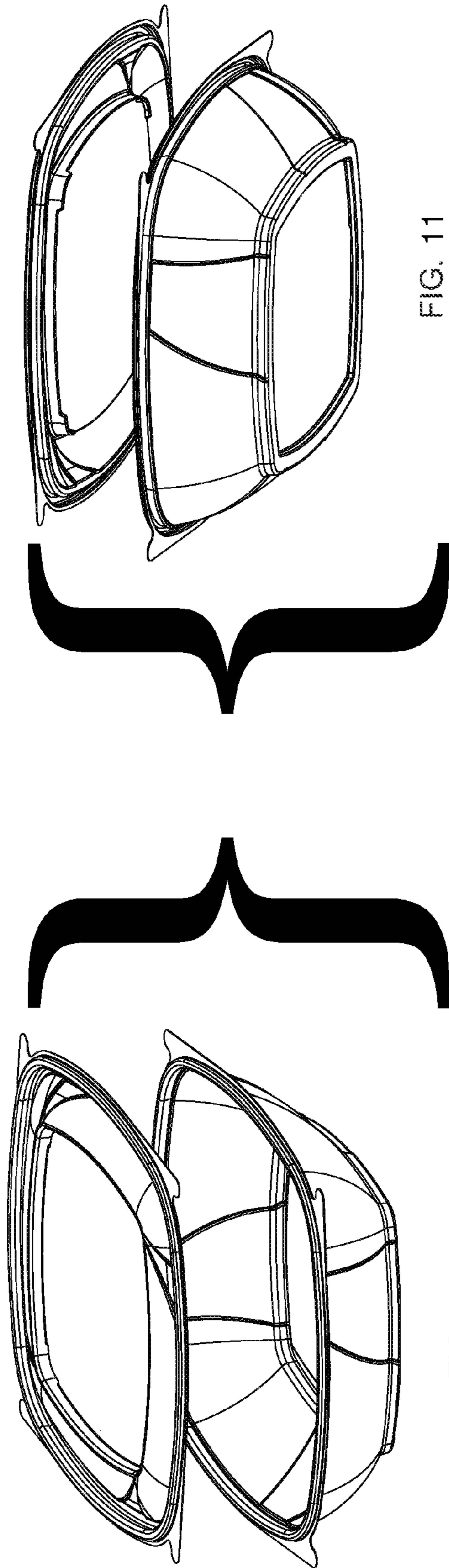


FIG. 11

FIG. 10

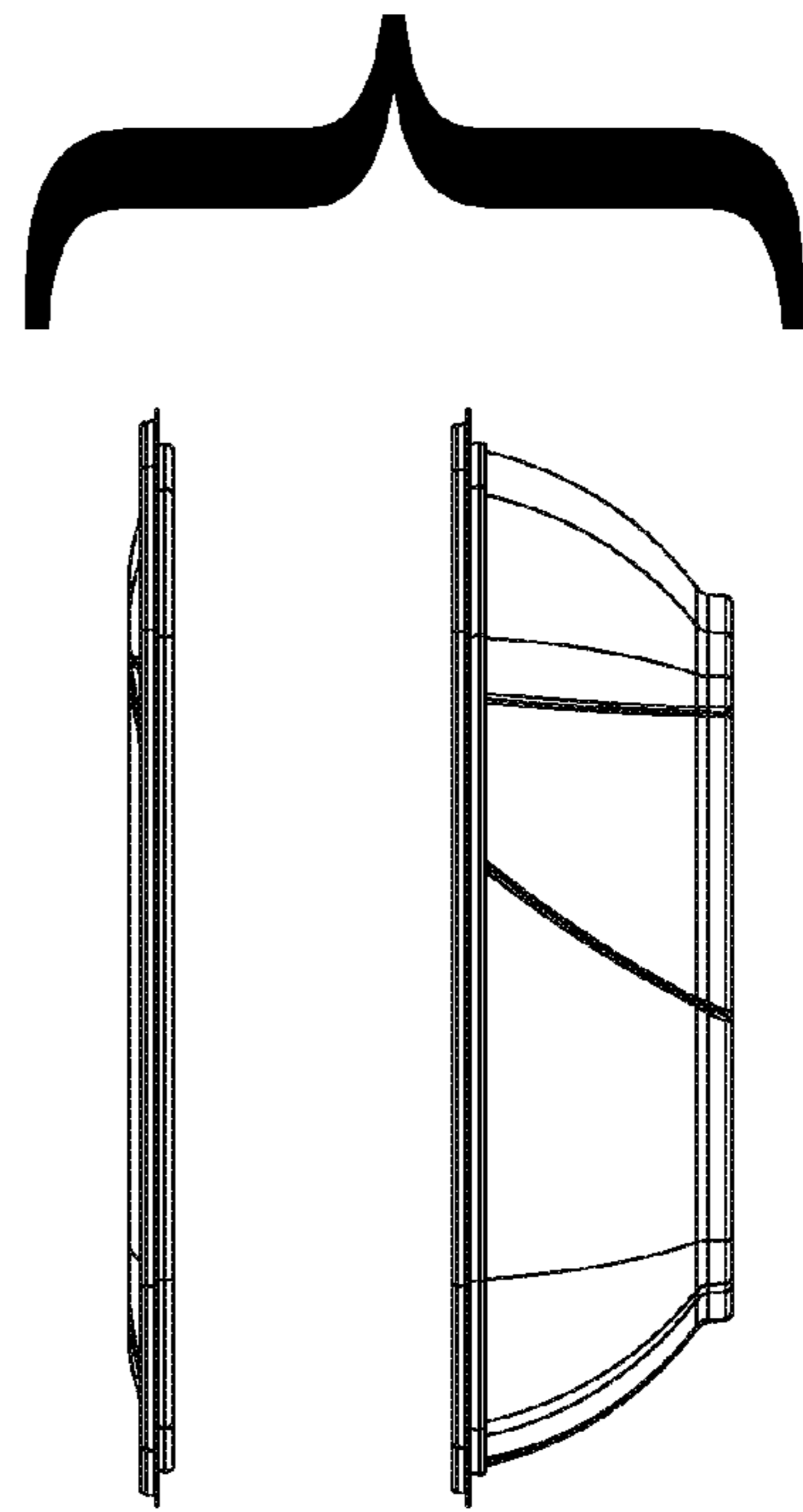


FIG. 12

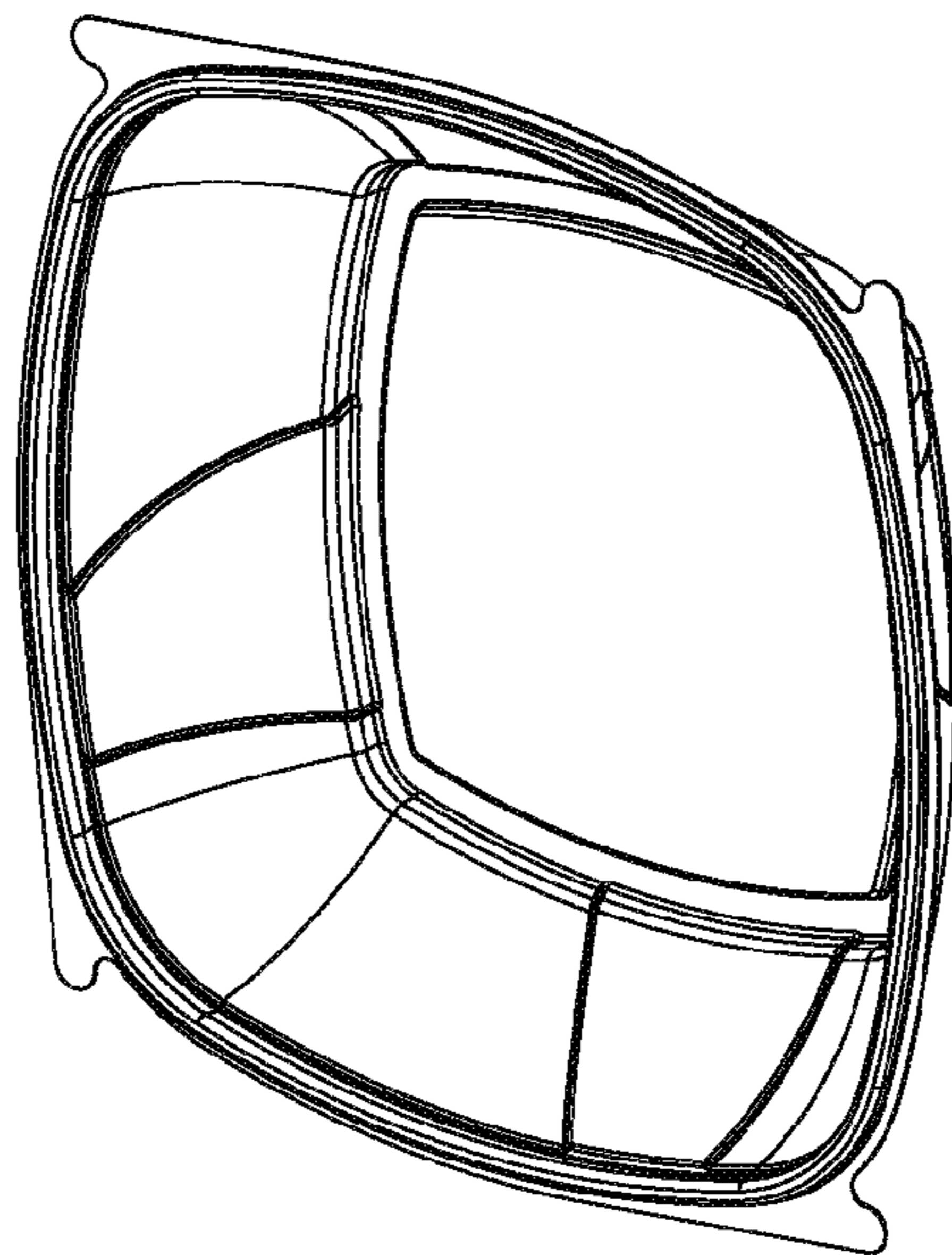


FIG. 14

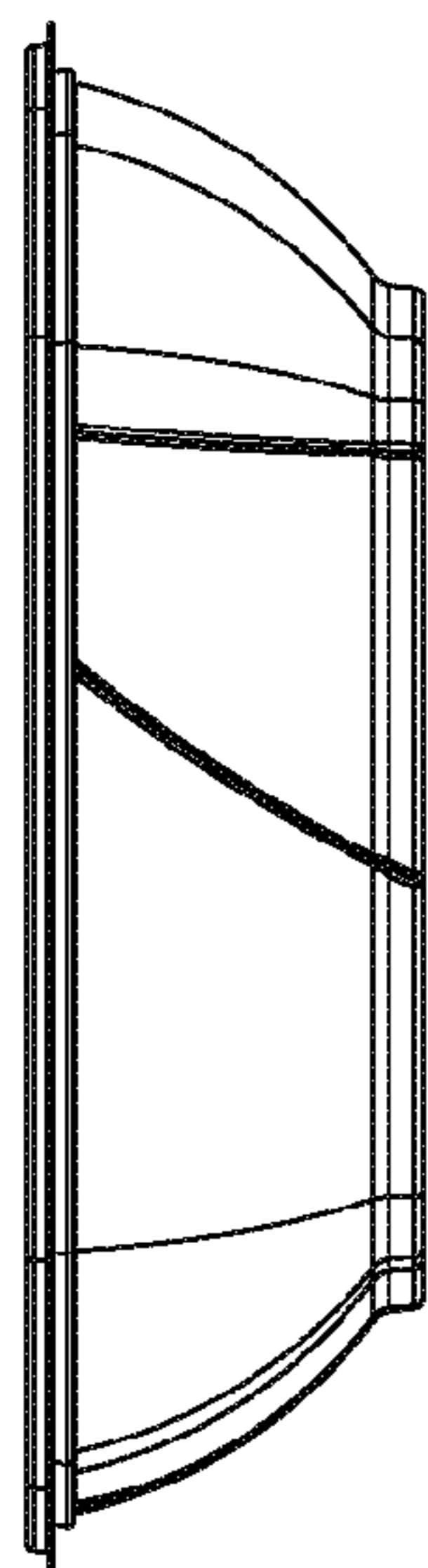


FIG. 13

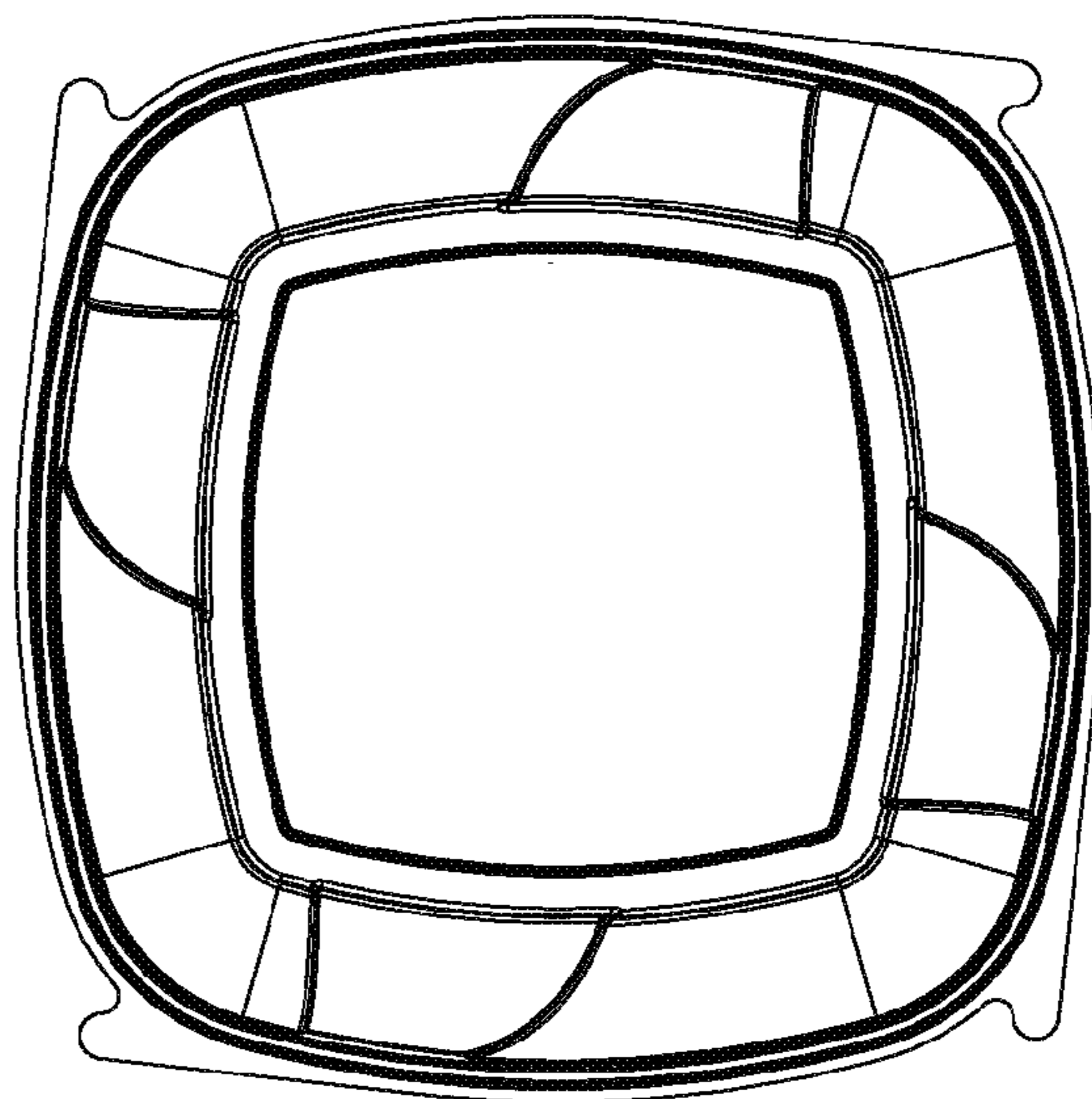


FIG. 15