



US00D681449S

(12) **United States Design Patent**
Snedden et al.

(10) **Patent No.:** **US D681,449 S**

(45) **Date of Patent:** **** May 7, 2013**

(54) **CONTAINER**

(75) Inventors: **Craig R. Snedden**, Culver City, CA (US); **Cesar E. Ramirez**, Los Angeles, CA (US); **Gandhi B. Sifuentes**, West Covina, CA (US)

(73) Assignee: **Direct Pack, Inc.**, Sun Valley, CA (US)

(**) Term: **14 Years**

(21) Appl. No.: **29/422,138**

(22) Filed: **May 17, 2012**

(51) **LOC (9) Cl.** **09-03**

(52) **U.S. Cl.**
USPC **D9/429**

(58) **Field of Classification Search** D9/414,
D9/416, 418, 423, 425, 428-431, 454, 542;
D7/538, 540, 542, 550.1, 565, 584, 602, 629;
206/501-509, 512; 220/4.23-4.24, 23.86,
220/780-781, 791-793, 835, 839; 428/34.1,
428/35.7, 36.5-36.8

See application file for complete search history.

(56) **References Cited**

U.S. PATENT DOCUMENTS

D391,850 S * 3/1998 Krupa et al. D9/429
D415,420 S * 10/1999 Chen D9/428

D450,580 S * 11/2001 Littlejohn et al. D9/429
D541,148 S * 4/2007 Gross et al. D9/428
D542,128 S * 5/2007 Gross et al. D9/429
D594,324 S * 6/2009 Colacitti D9/425
D594,326 S * 6/2009 Colacitti D9/425
D620,790 S * 8/2010 Lovett D9/425
D634,618 S * 3/2011 Colacitti D9/425
D646,967 S * 10/2011 Tamshe et al. D9/428
D649,448 S * 11/2011 Wu D9/429
D664,844 S * 8/2012 Hale D9/429

* cited by examiner

Primary Examiner — Thomas Johannes

(74) *Attorney, Agent, or Firm* — Frost Brown Todd LLC

(57) **CLAIM**

The ornamental design for a container, as shown and described.

DESCRIPTION

FIG. 1 is a top perspective view of a container, showing our new design;

FIG. 2 is a bottom perspective view thereof;

FIG. 3 is a front elevation view thereof;

FIG. 4 is a rear elevation view thereof;

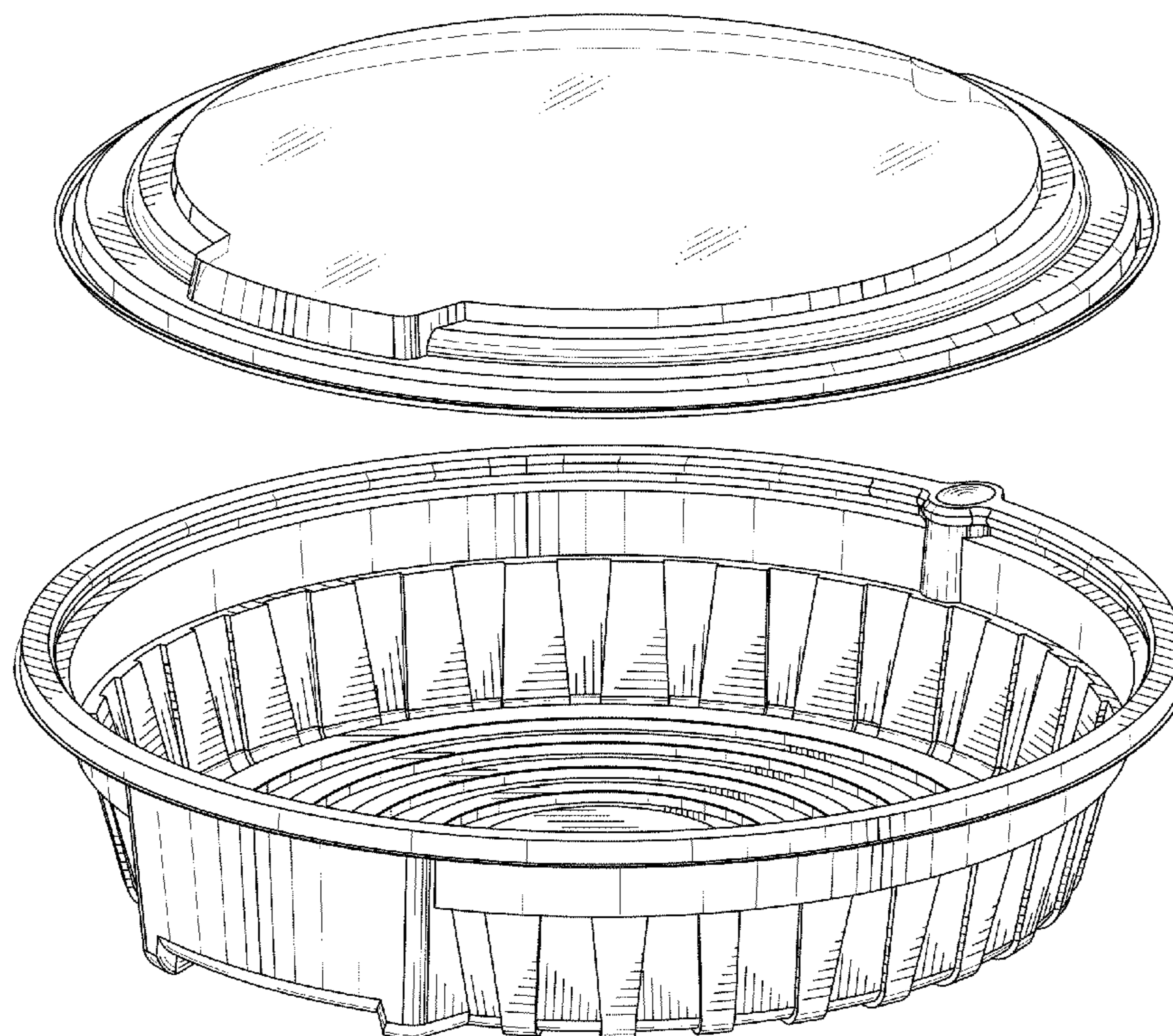
FIG. 5 is a left elevation view thereof;

FIG. 6 is a right elevation view thereof;

FIG. 7 is a top plan view thereof; and,

FIG. 8 is a bottom plan view thereof.

1 Claim, 8 Drawing Sheets



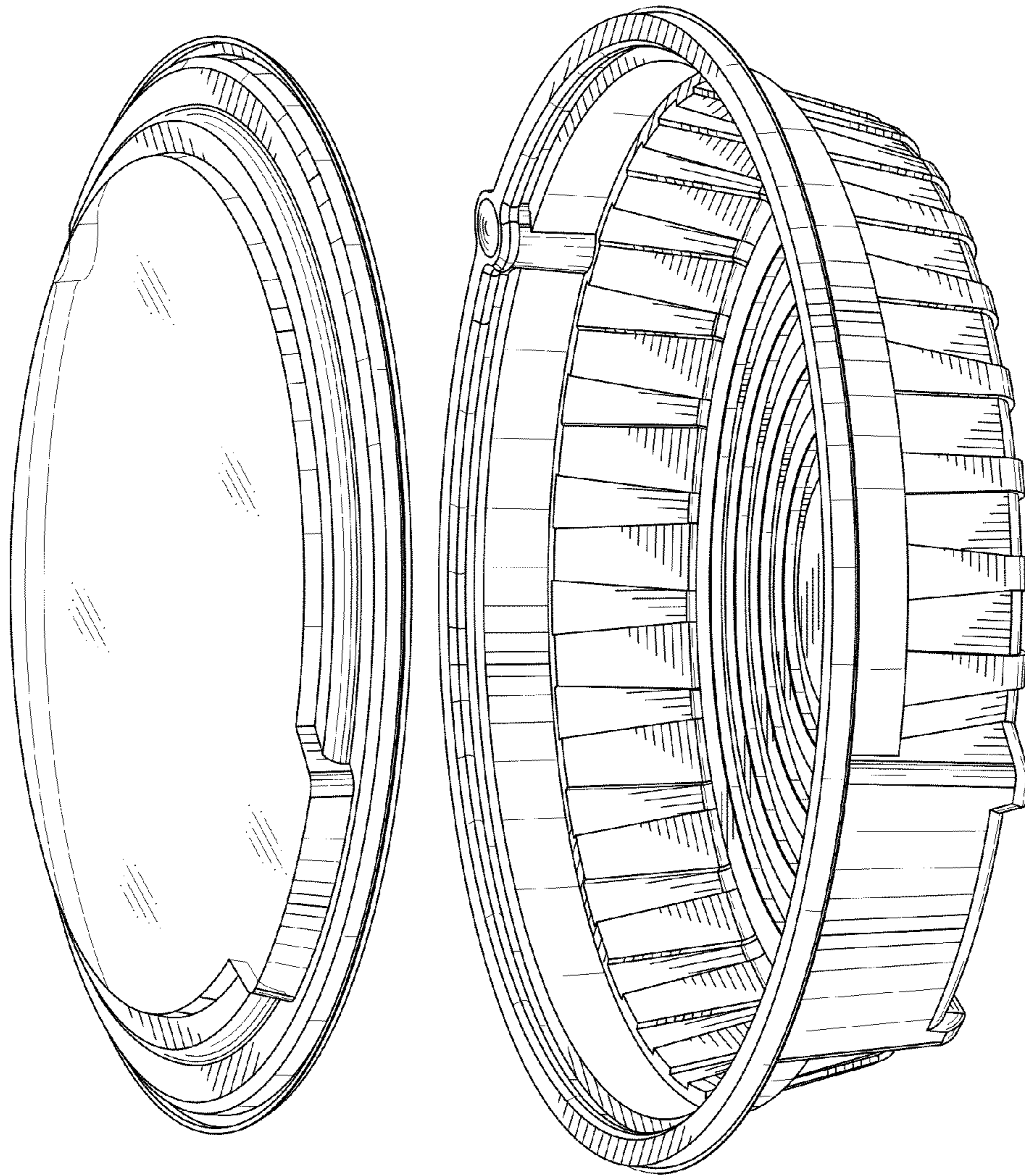


Fig. 1

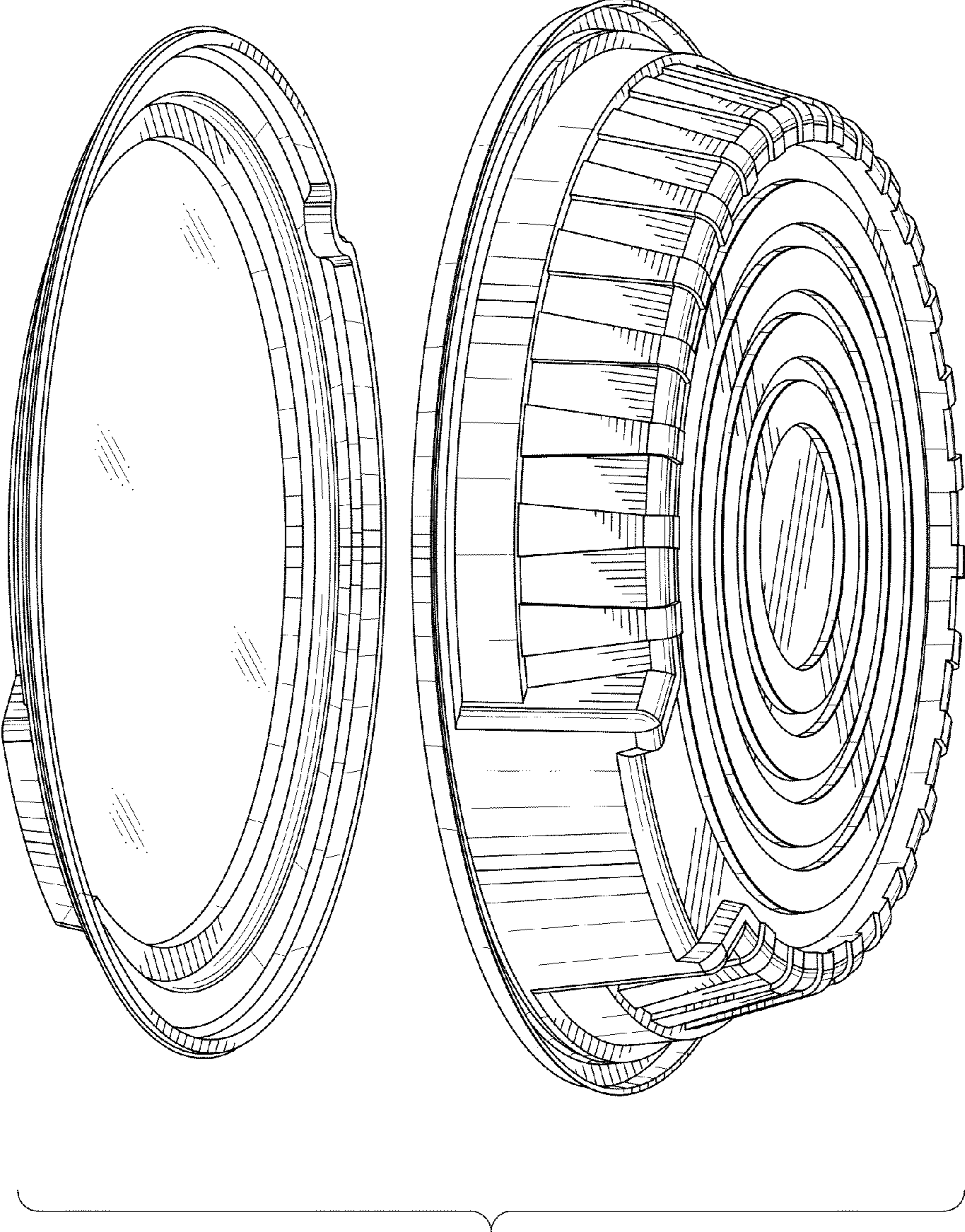


Fig. 2

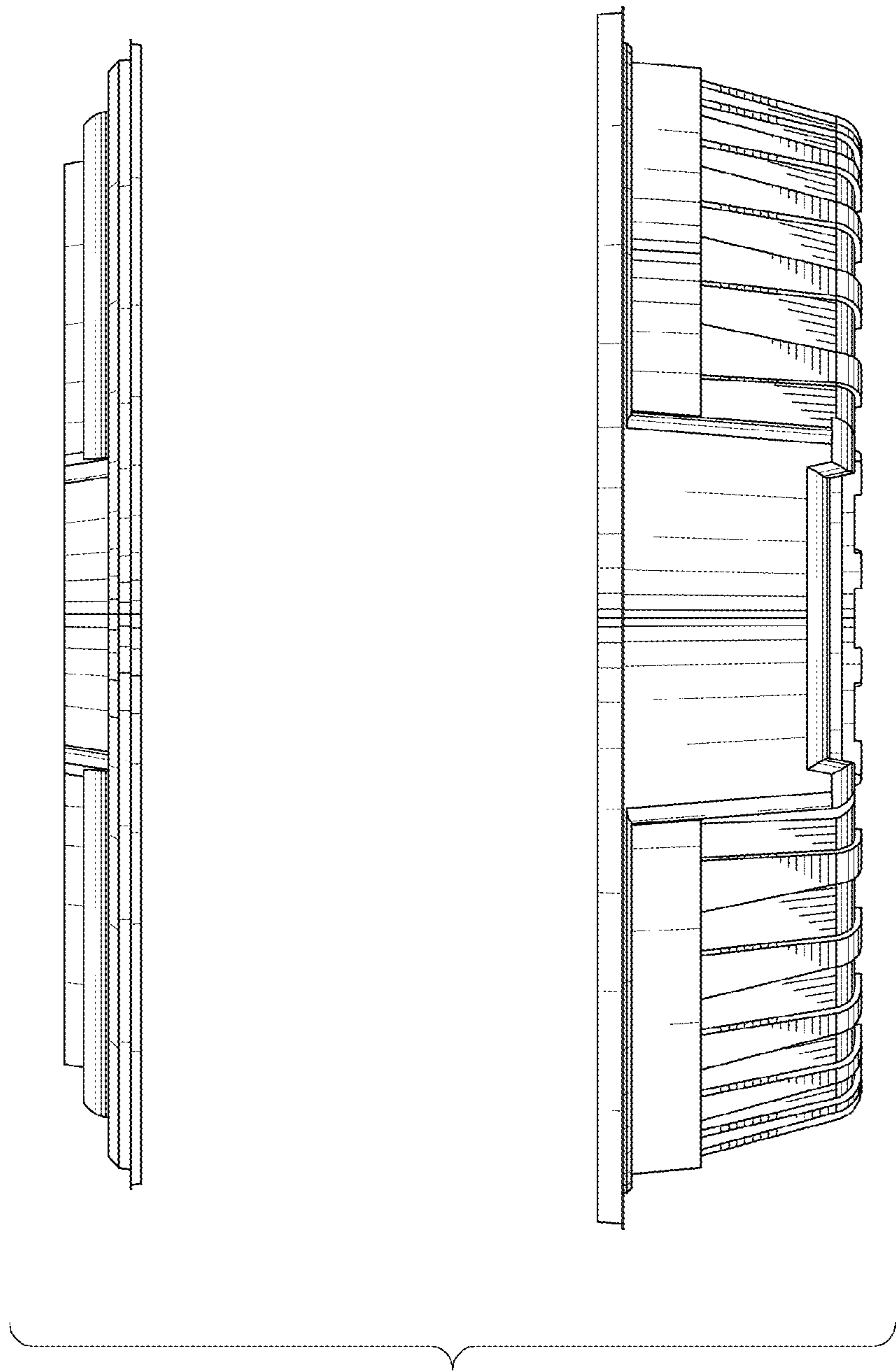


Fig. 3

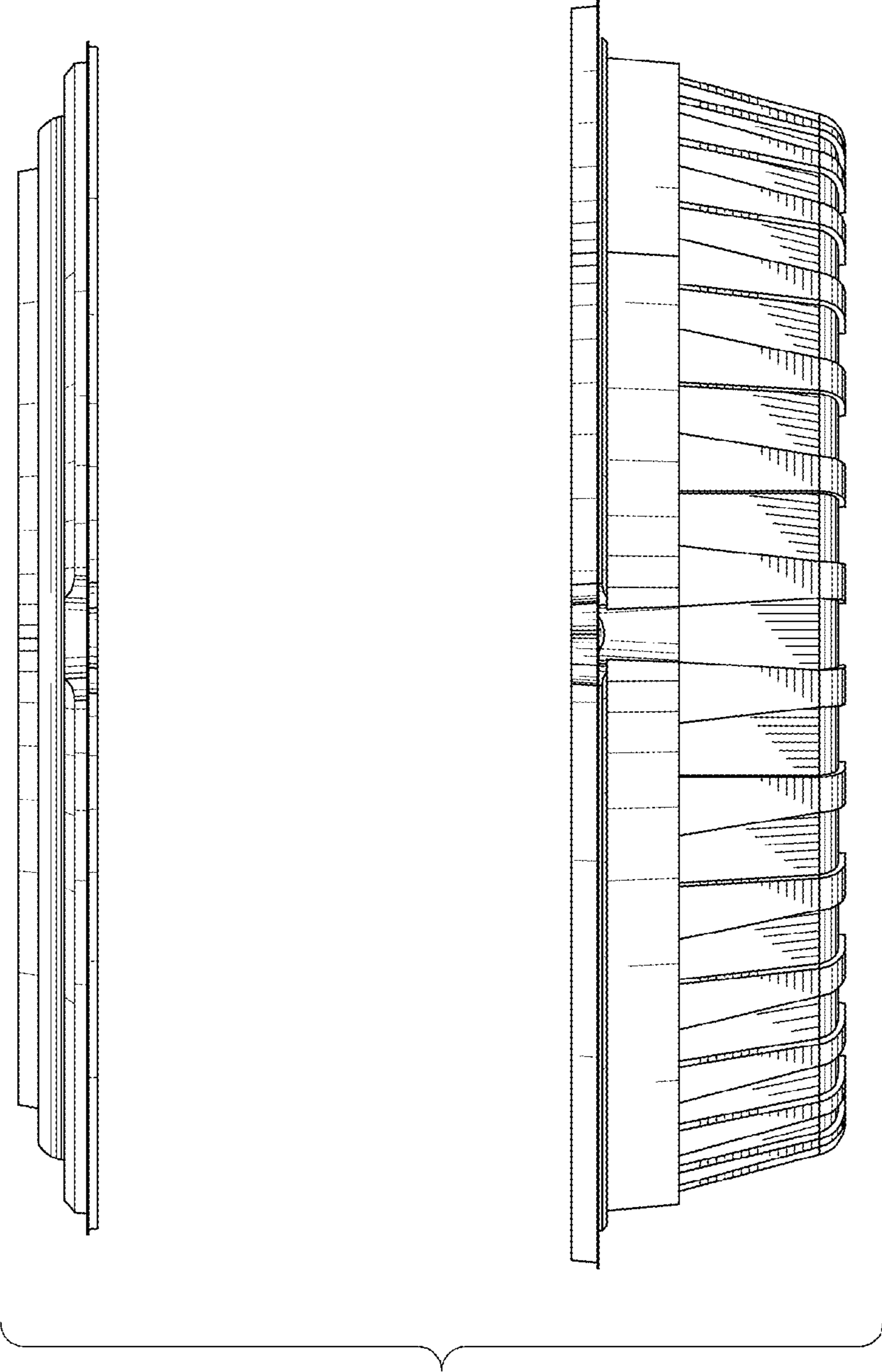


Fig. 4

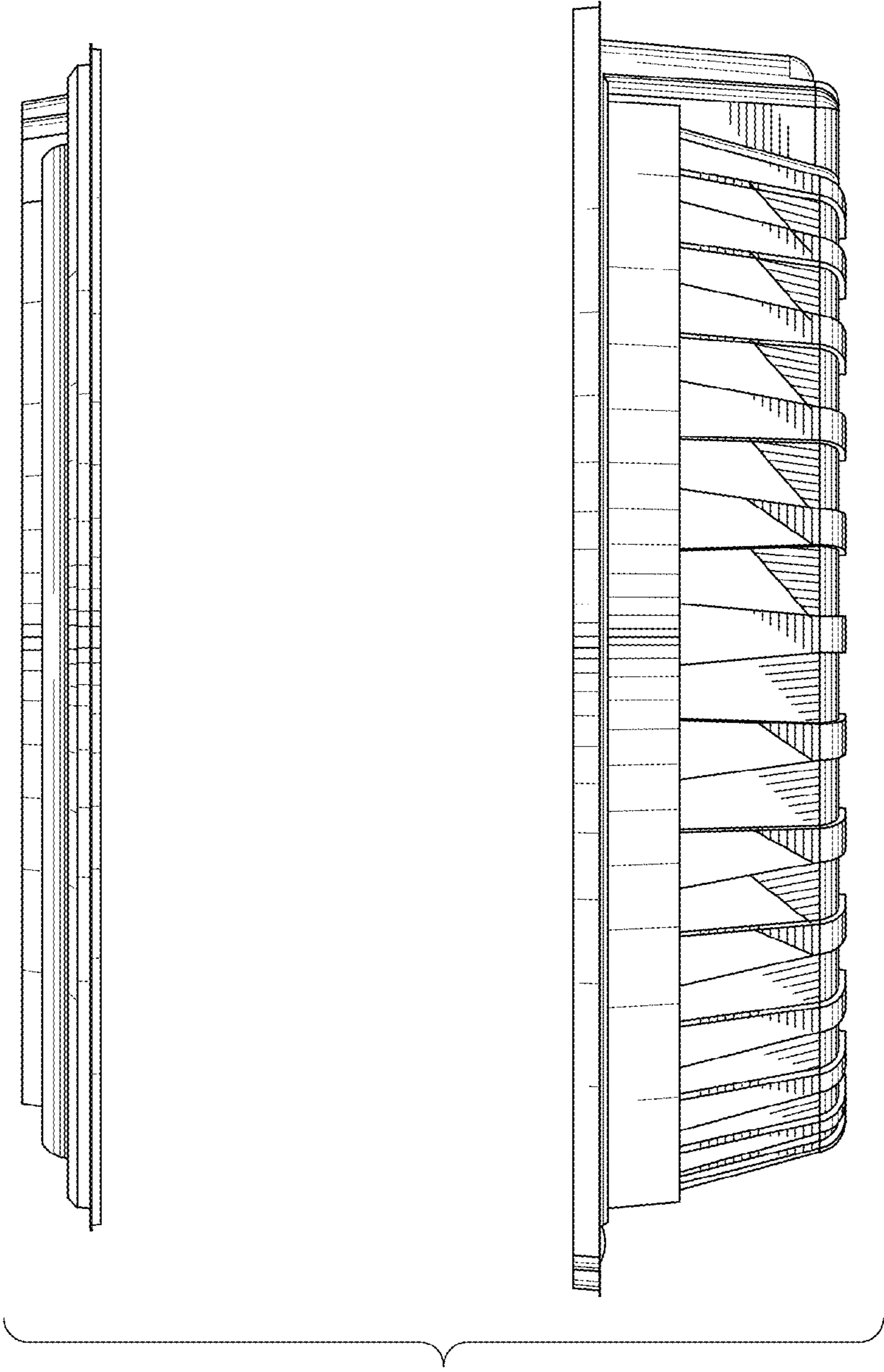


Fig. 5

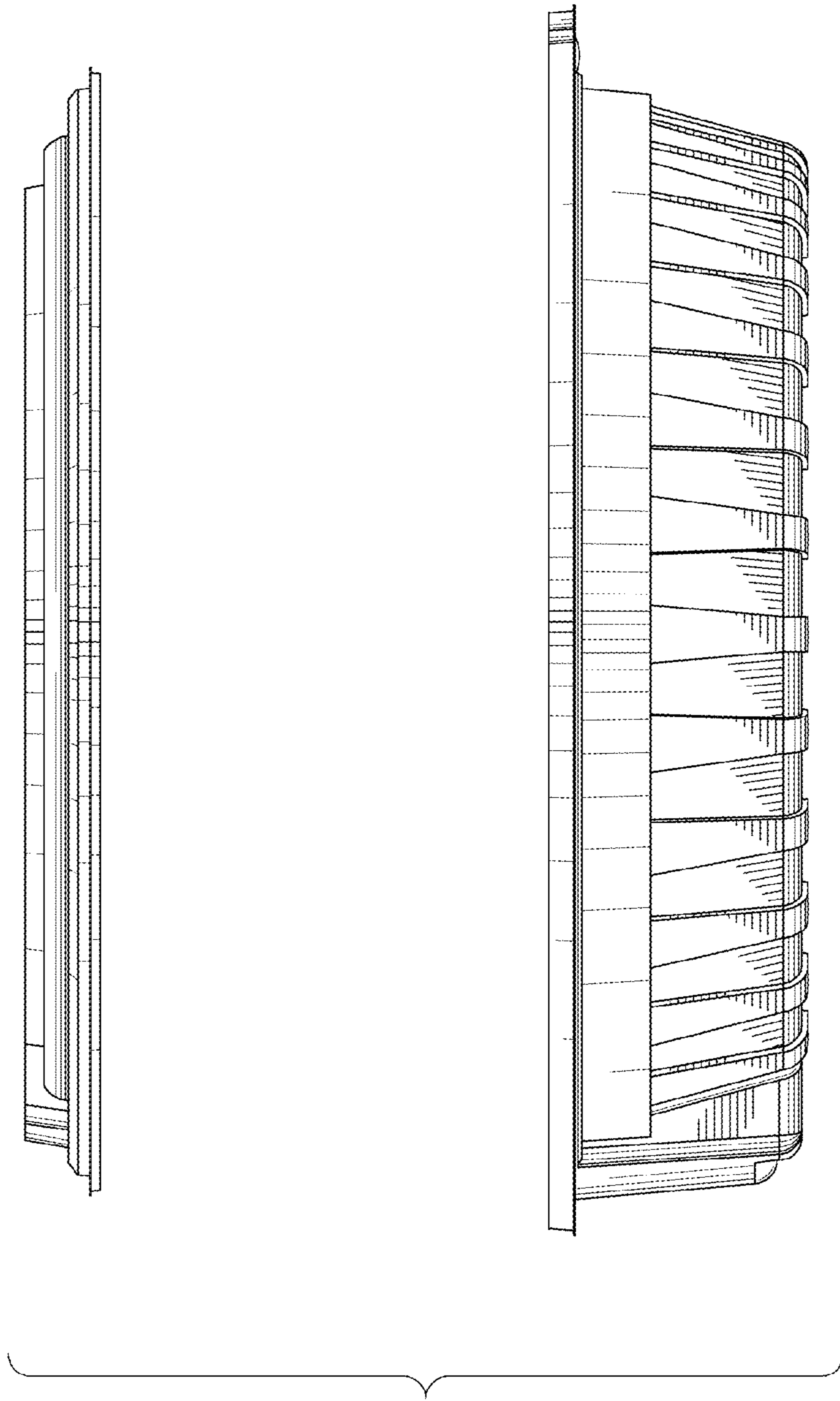


Fig. 6

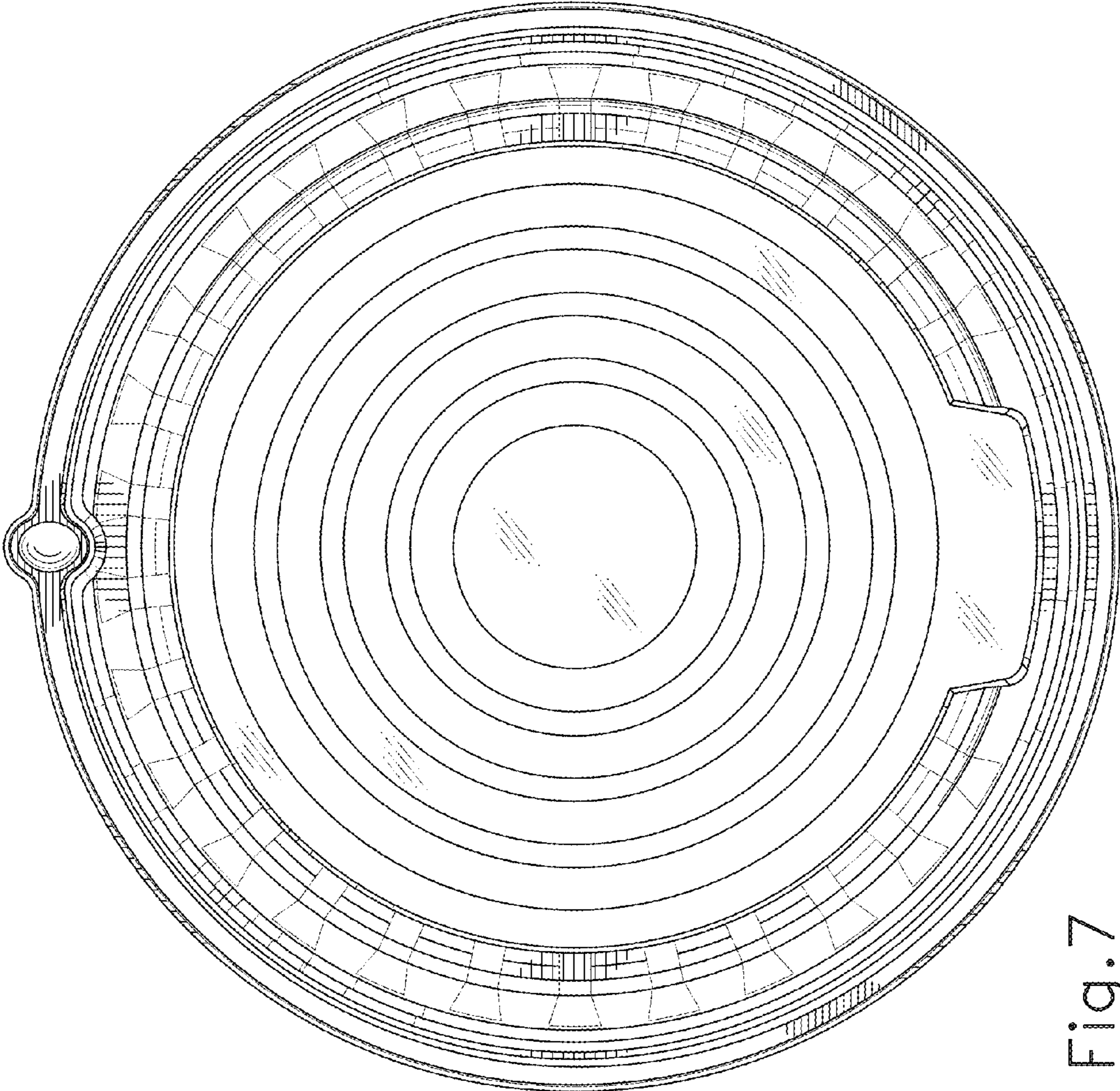


Fig. 7

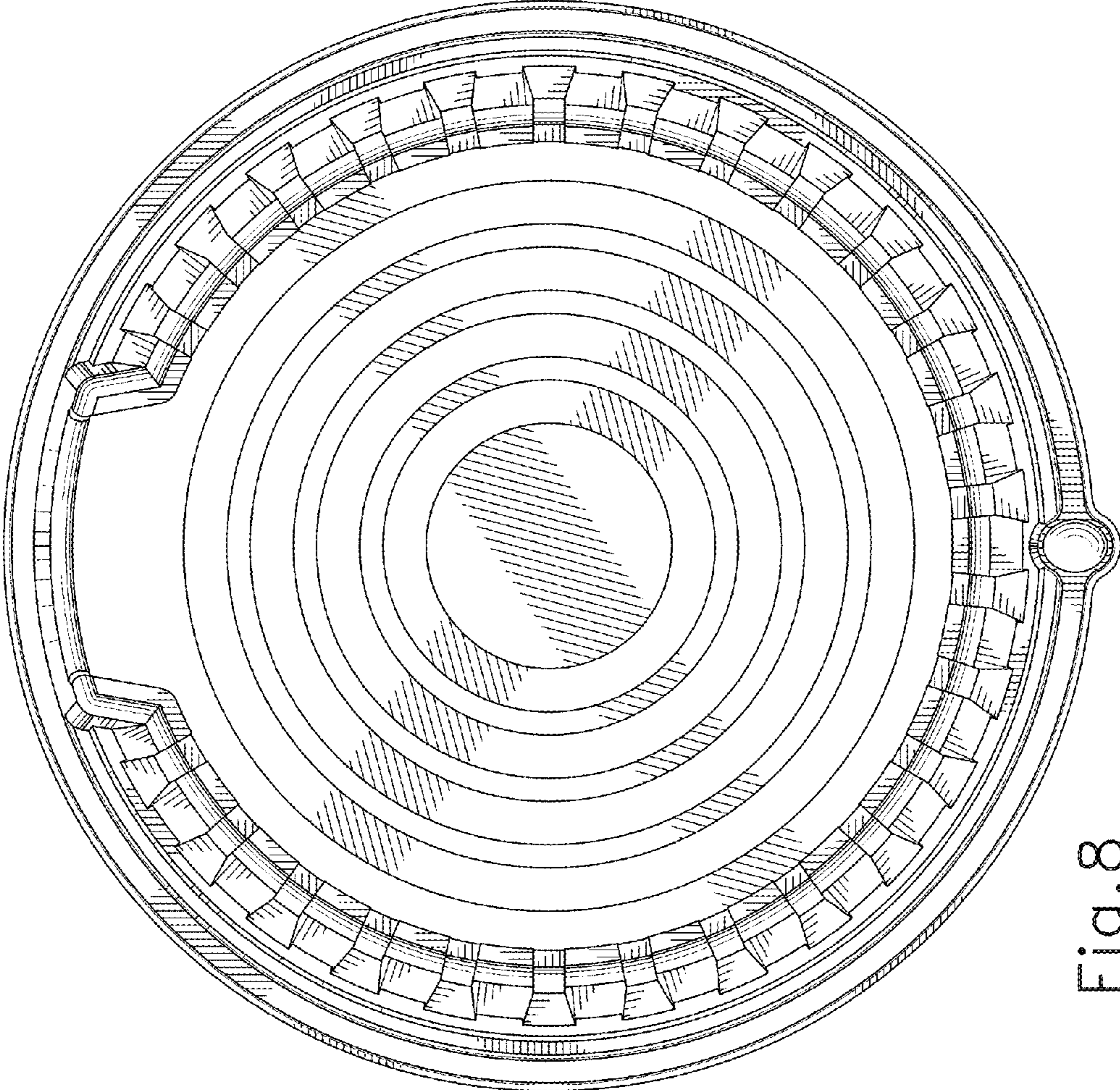


Fig. 8