



US00D681445S

(12) **United States Design Patent**  
**van Landsveld et al.**

(10) **Patent No.:** **US D681,445 S**

(45) **Date of Patent:** **\*\* \*May 7, 2013**

(54) **CIGARETTE PACK**

(75) Inventors: **Mies van Landsveld**, Bristol (GB);  
**Slavomir Novak**, Hamburg (DE)

(73) Assignee: **Imperial Tobacco Limited**, Bristol (GB)

(\* ) Notice: This patent is subject to a terminal disclaimer.

(\*\*) Term: **14 Years**

(21) Appl. No.: **29/420,422**

(22) Filed: **May 9, 2012**

(30) **Foreign Application Priority Data**

Nov. 9, 2011 (EM) ..... 001 301 089

(51) **LOC (9) Cl.** ..... **09-03**

(52) **U.S. Cl.**  
USPC ..... **D9/423**

(58) **Field of Classification Search** ..... D9/420,  
D9/423, 425, 430, 432; 206/236-242, 245,  
206/249-251, 254-259, 261-275; 229/101,  
229/125.21, 125.37, 145, 212, 225, 160.1;  
D27/185-192

See application file for complete search history.

(56) **References Cited**

U.S. PATENT DOCUMENTS

D509,623 S \* 9/2005 Mitten et al. .... D27/189  
D523,171 S \* 6/2006 Mitten et al. .... D27/189  
D569,719 S \* 5/2008 Ross ..... D9/416  
D575,452 S \* 8/2008 Jones et al. .... D27/189  
D575,636 S \* 8/2008 Krautter ..... D9/420  
D596,349 S \* 7/2009 Tabrah ..... D27/189  
D625,179 S \* 10/2010 Gibson ..... D9/423

D633,786 S \* 3/2011 Gibson ..... D9/423  
D636,662 S \* 4/2011 Ignacio et al. .... D9/418  
D661,016 S \* 5/2012 Borges et al. .... D27/189

OTHER PUBLICATIONS

U.S. Appl. No. 29/392,285, filed May 19, 2011, Steve Holloway et al.  
U.S. Appl. No. 29/392,286, filed May 19, 2011, Steve Holloway et al.  
U.S. Appl. No. 29/392,292, filed May 19, 2011, Steve Holloway et al.  
U.S. Appl. No. 29/392,294, filed May 19, 2011, Steve Holloway et al.  
U.S. Appl. No. 29/392,297, filed May 19, 2011, Steve Holloway et al.  
U.S. Appl. No. 29/420,420, filed May 9, 2012, Mies van Landsfeld et al.  
U.S. Appl. No. 29/420,423, filed May 9, 2012, Mies van Landsfeld et al.

\* cited by examiner

*Primary Examiner* — Thomas Johannes

(74) *Attorney, Agent, or Firm* — Nixon & Vanderhye P.C.

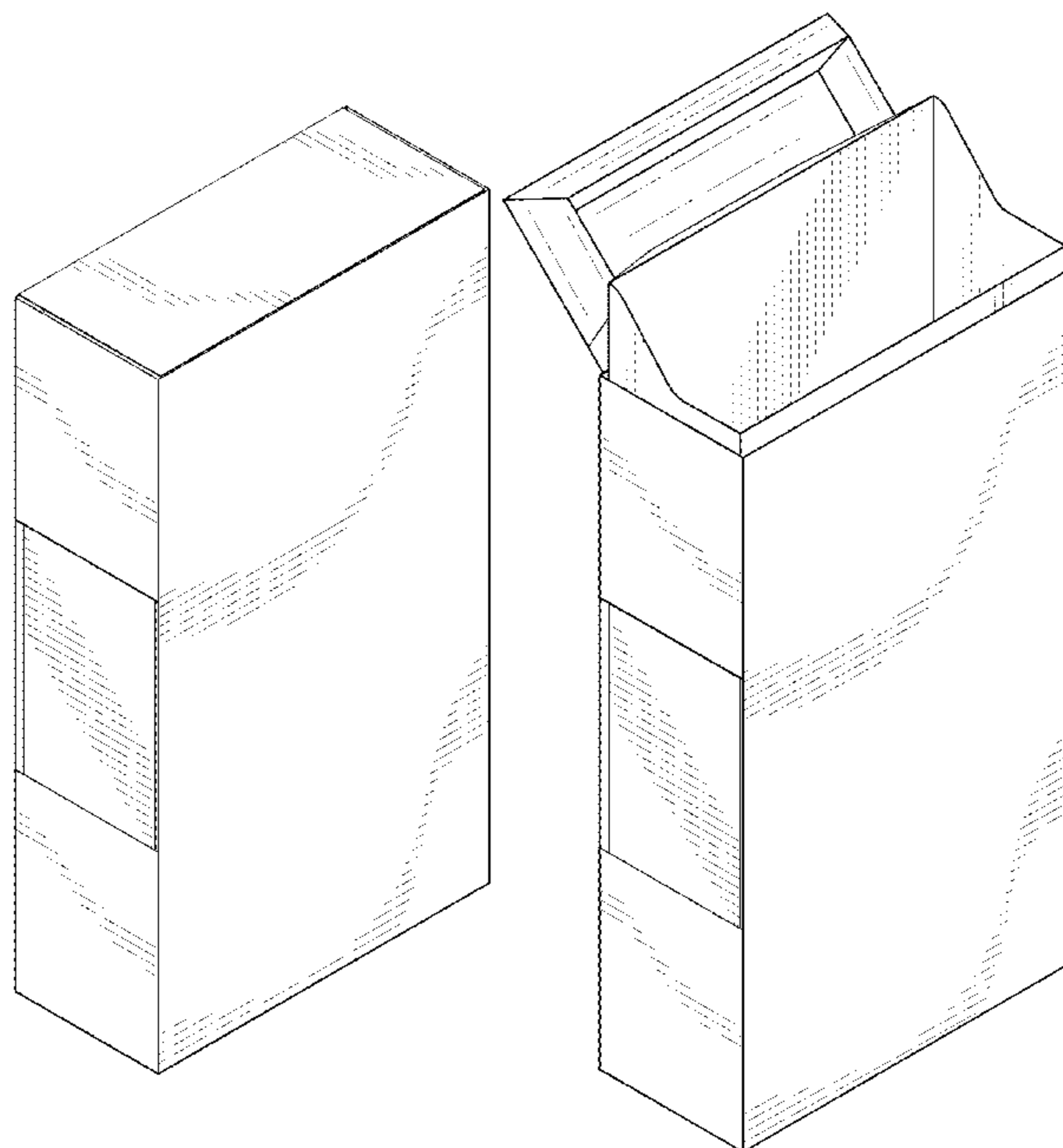
(57) **CLAIM**

The ornamental design for a cigarette pack, as shown and described.

**DESCRIPTION**

FIG. 1 is a front perspective view a cigarette pack, with lid closed, according to our new ornamental design;  
FIG. 2 is a reverse perspective view thereof;  
FIG. 3 is a front perspective view thereof, with lid open and inner shell protruding;  
FIG. 4 is a front view thereof, with lid open and inner shell protruding;  
FIG. 5 is a left side view thereof, with lid open and inner shell protruding;  
FIG. 6 is a front view thereof, with lid closed; and,  
FIG. 7 is a top view thereof.

**1 Claim, 6 Drawing Sheets**



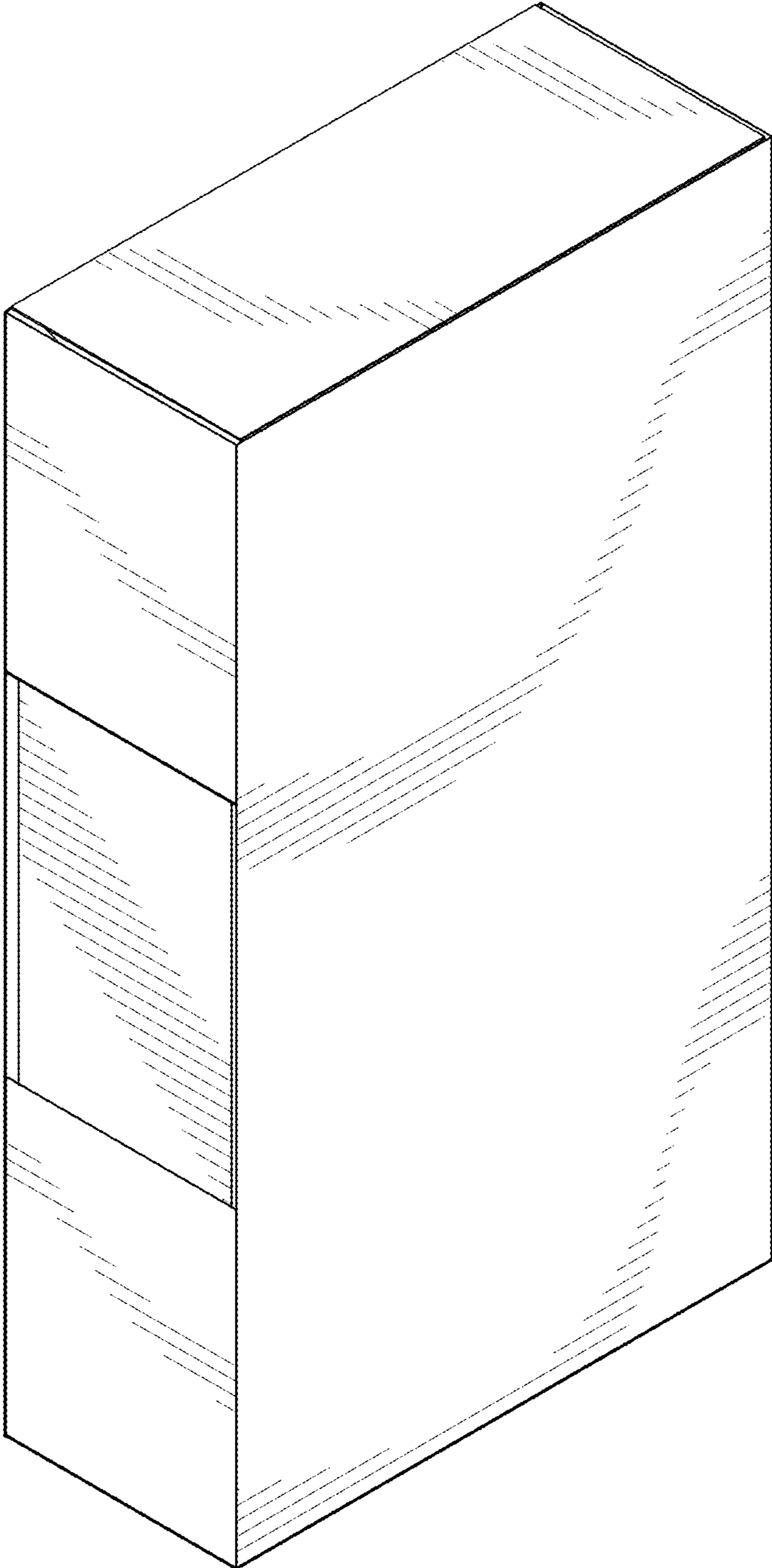


FIG. 1

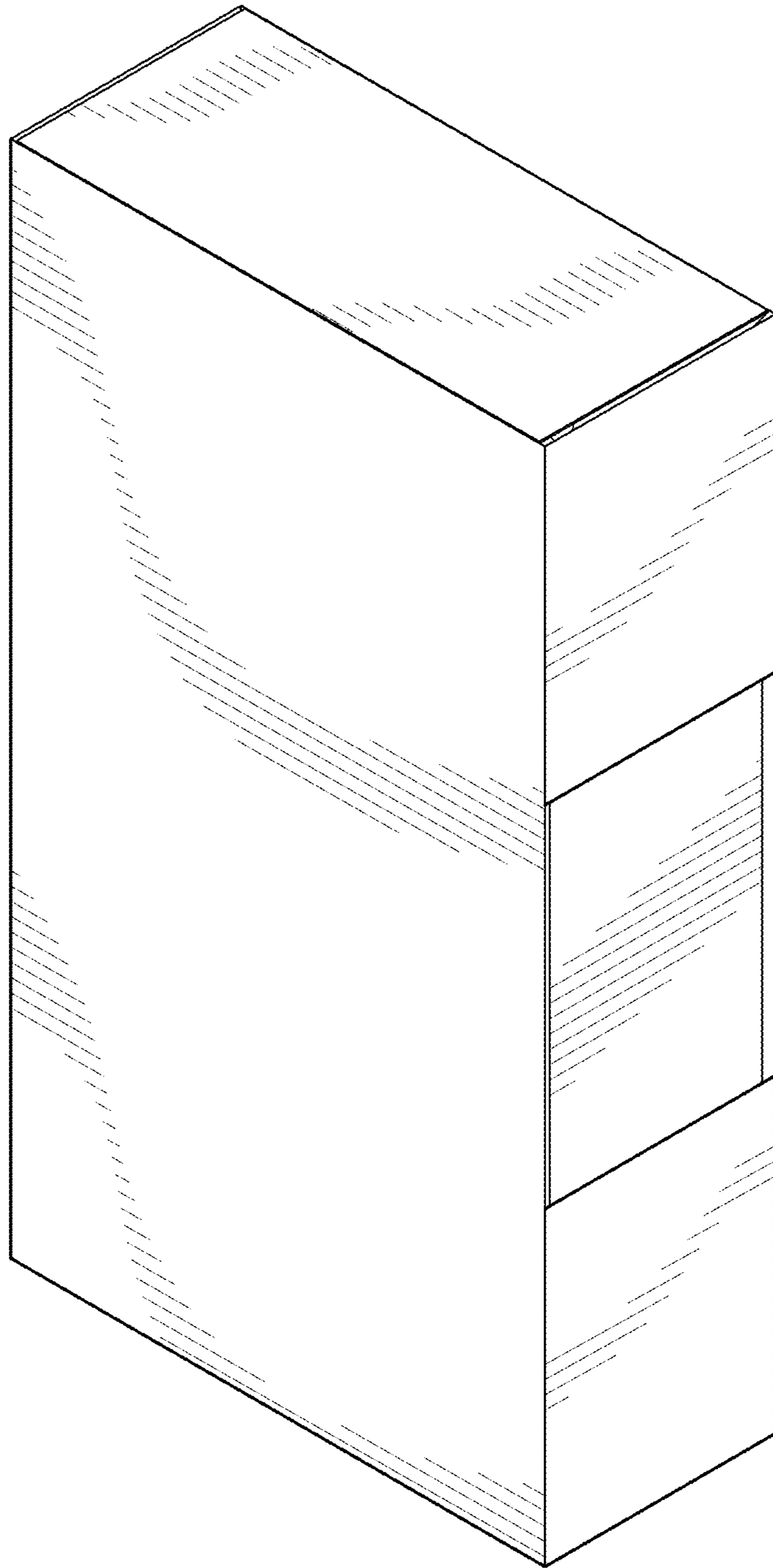
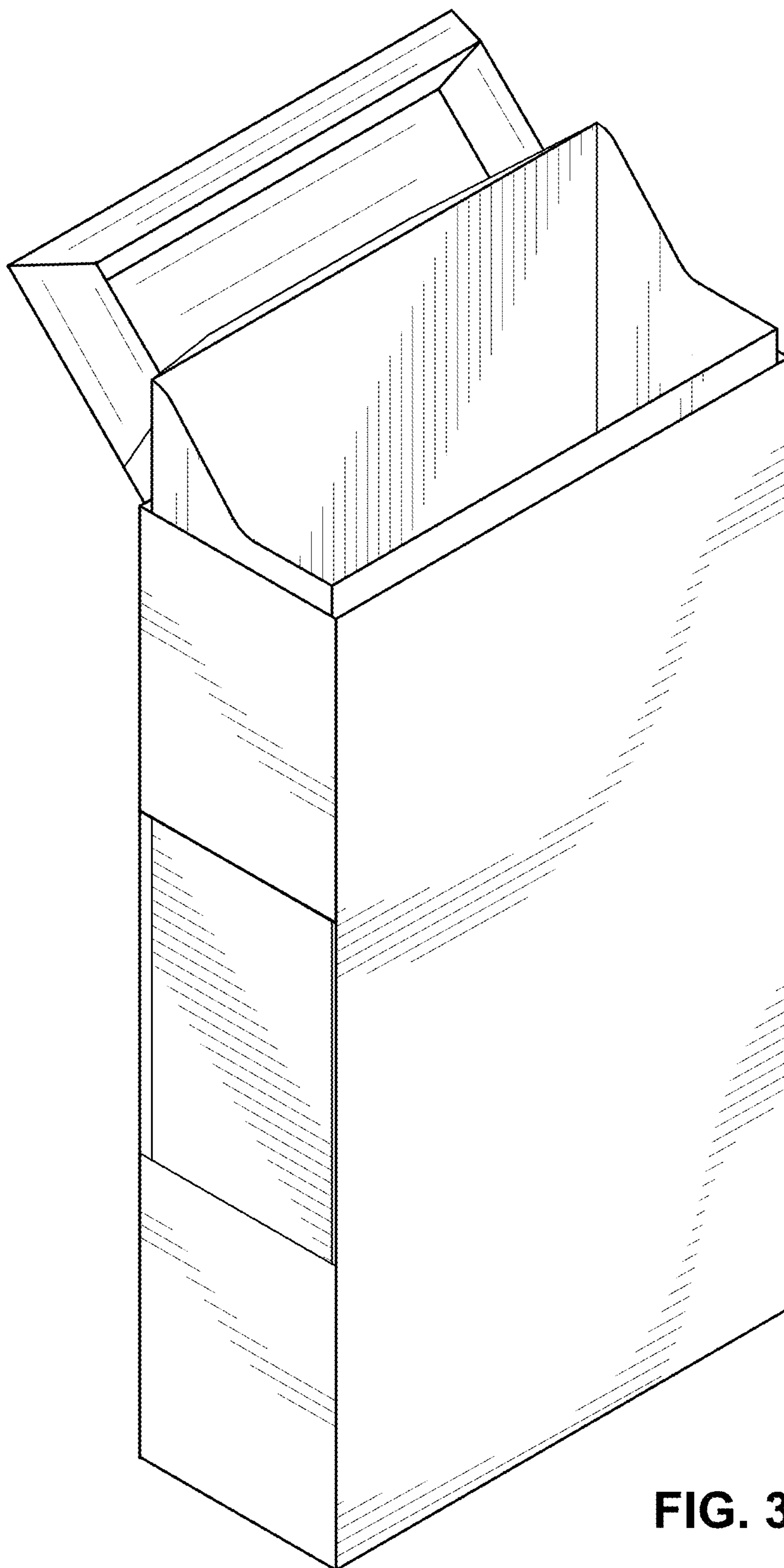


FIG. 2



**FIG. 3**

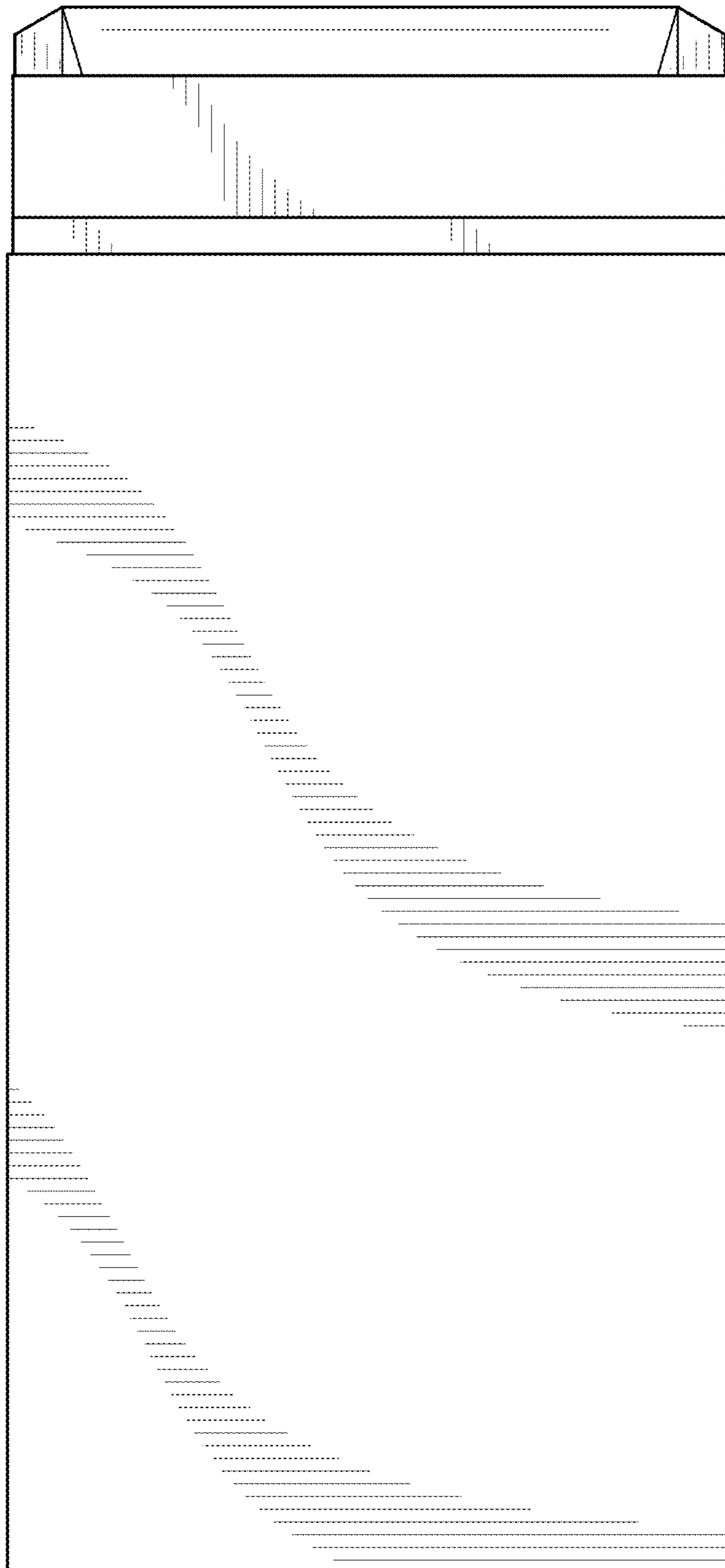


FIG. 4

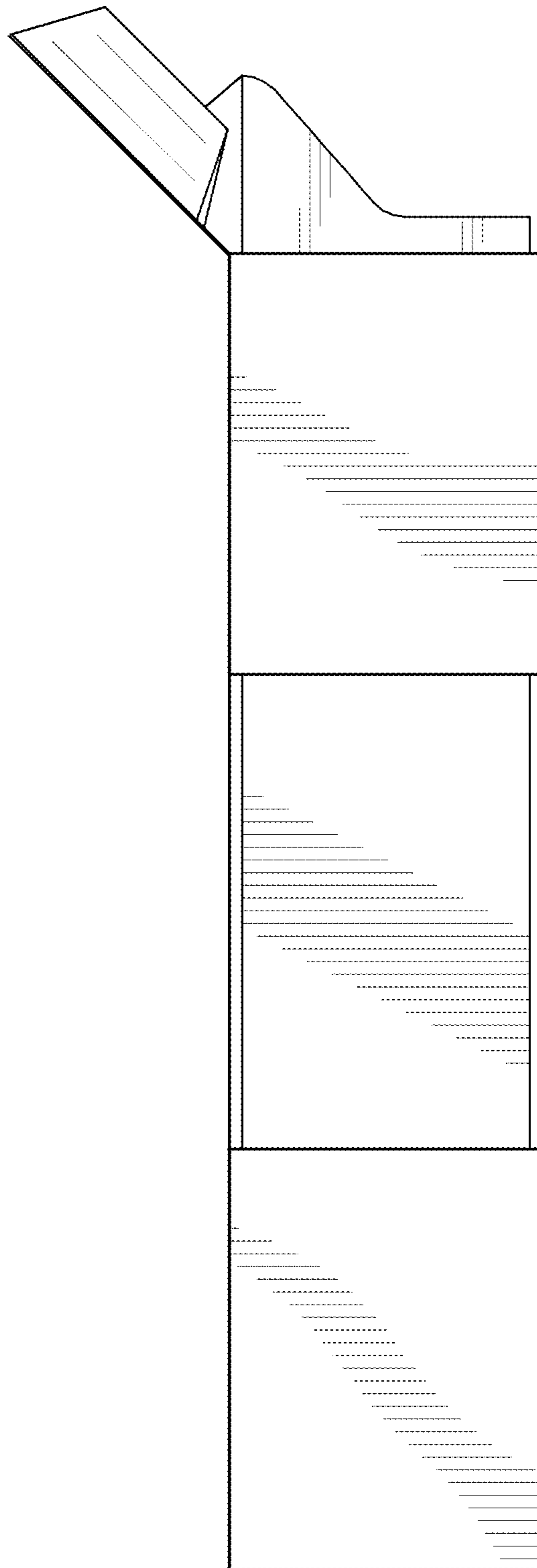
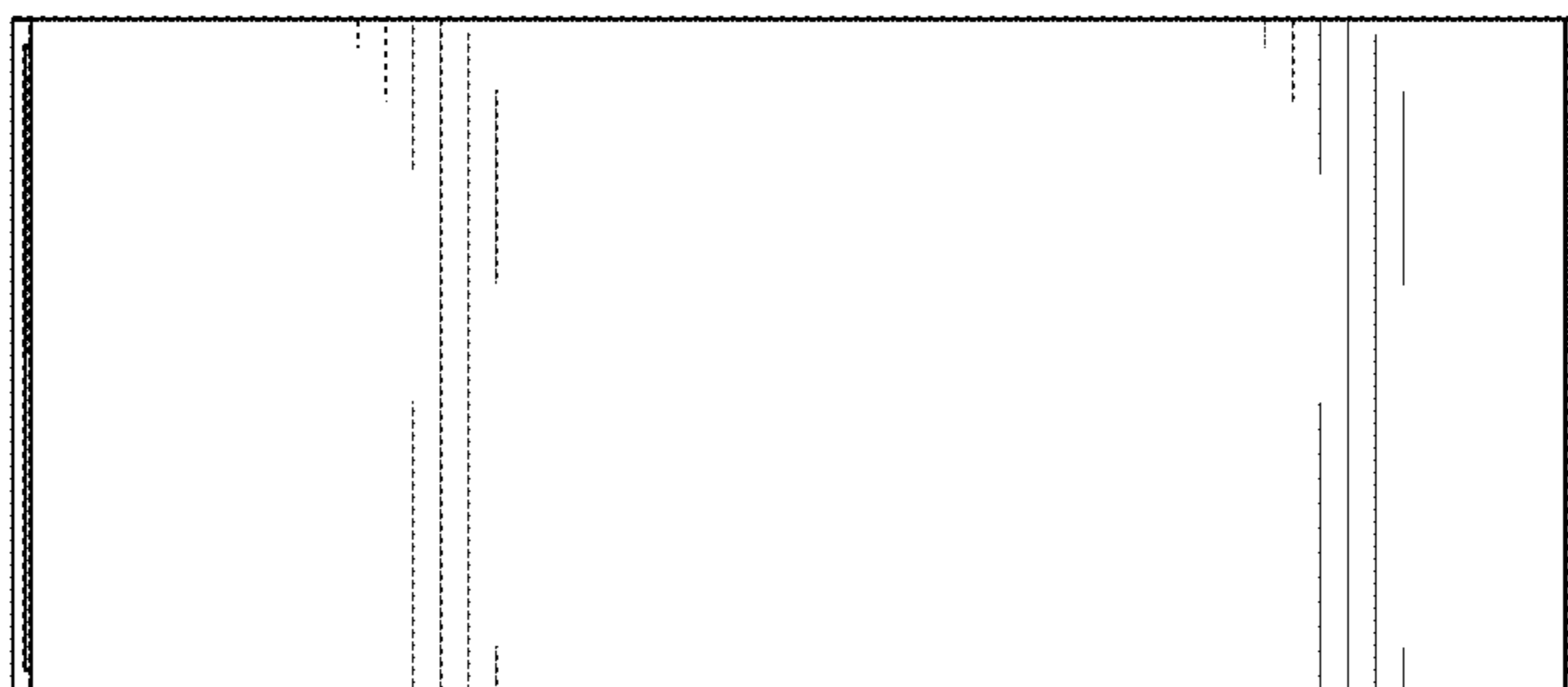


FIG. 5



**FIG. 6**



**FIG. 7**