



US00D681443S

(12) **United States Design Patent**
Shane

(10) **Patent No.:** **US D681,443 S**

(45) **Date of Patent:** **** May 7, 2013**

(54) **SHOE BOX**

(71) Applicant: **Kimberly Shane**, Beaverton, OR (US)

(72) Inventor: **Kimberly Shane**, Beaverton, OR (US)

(**) Term: **14 Years**

(21) Appl. No.: **29/436,345**

(22) Filed: **Nov. 5, 2012**

(51) **LOC (9) Cl.** **09-03**

(52) **U.S. Cl.**
USPC **D9/414**

(58) **Field of Classification Search** D9/346,
D9/414-418, 424, 425, 423, 432-436, 445,
D9/431, 453, 499, 500, 504, 516, 519, 522,
D9/529, 535, 537, 545, 551, 571, 672, 675,
D9/702, 711, 715, 721, 722, 737, 748, 759,
D9/740, 743, 745, 749, 756, 718; D3/201,
D3/203.3, 269, 273, 282, 300, 302, 315;
221/306; 53/411, 467, 170; 206/536

See application file for complete search history.

(56) **References Cited**

U.S. PATENT DOCUMENTS

D82,960 S	*	12/1930	Sierad	D9/672
D167,095 S	*	6/1952	Pennebaker	D9/672
D220,198 S	*	3/1971	Clauser, Sr.	D21/560
D279,589 S	*	7/1985	Marshall	D21/434
D513,283 S	*	12/2005	Wampler et al.	D21/562
D536,260 S	*	2/2007	Young et al.	D9/675
D604,634 S	*	11/2009	Arora et al.	D9/676
D638,305 S	*	5/2011	Brogan et al.	D9/675

OTHER PUBLICATIONS

<http://www.boxplayforkids.com/school-bus/> searched RMS Feb. 4, 2013.*

<http://happyhomefairty.com/2010/09/01/school-bus-craft/> searched RMS Feb. 4, 2013.*

* cited by examiner

Primary Examiner — Robert M Spear

Assistant Examiner — Rhea Shields

(74) *Attorney, Agent, or Firm* — Mohr Intellectual Property Law Solutions, PC

(57) **CLAIM**

The ornamental design for a shoe box, as shown and described.

DESCRIPTION

FIG. 1 is a top perspective view of a shoe box according to one embodiment.

FIG. 2 is a bottom perspective view of the shoe box.

FIG. 3 is a front elevation view of the shoe box.

FIG. 4 is a rear elevation view of the shoe box.

FIG. 5 is a right side elevation view of the shoe box.

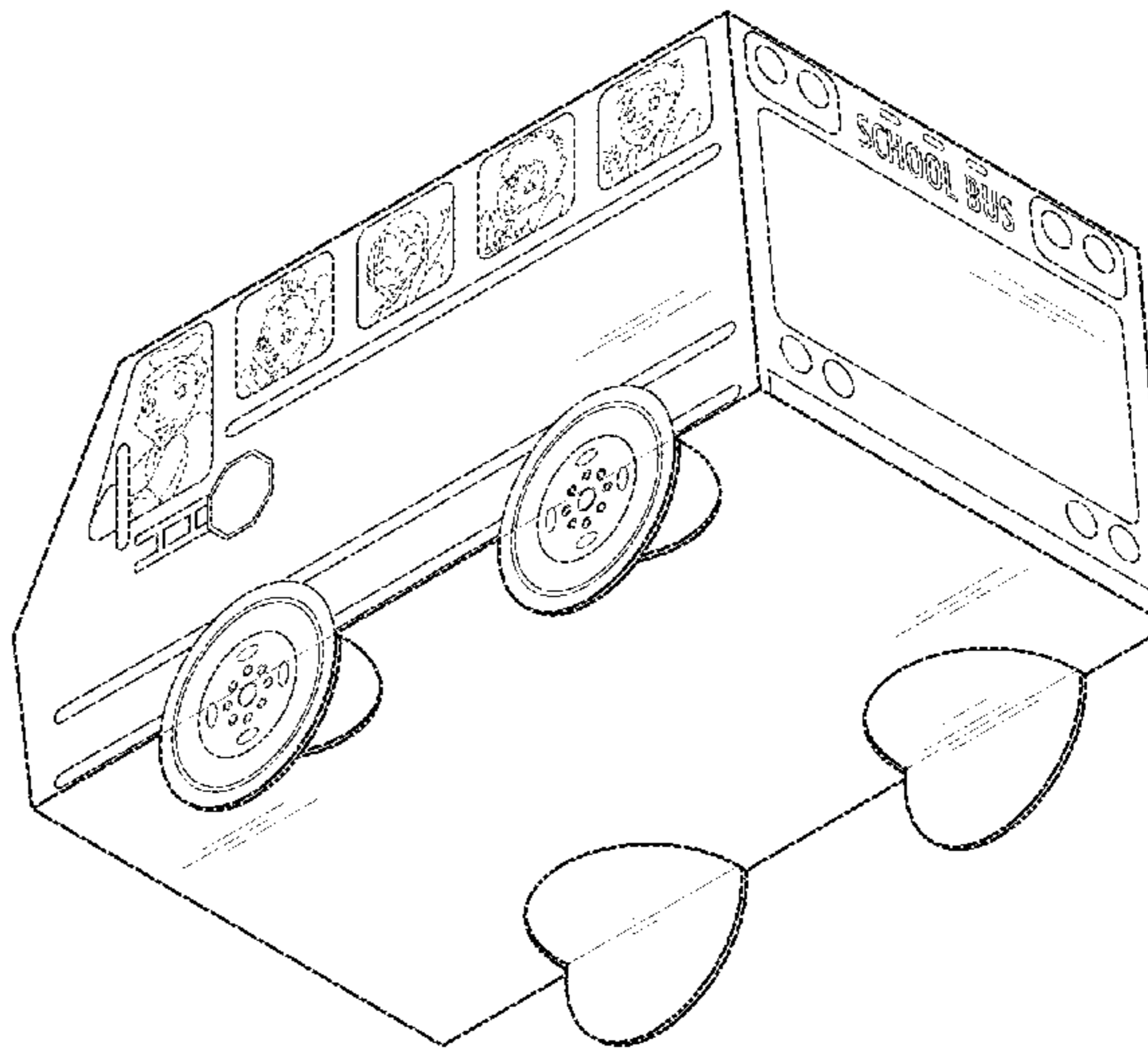
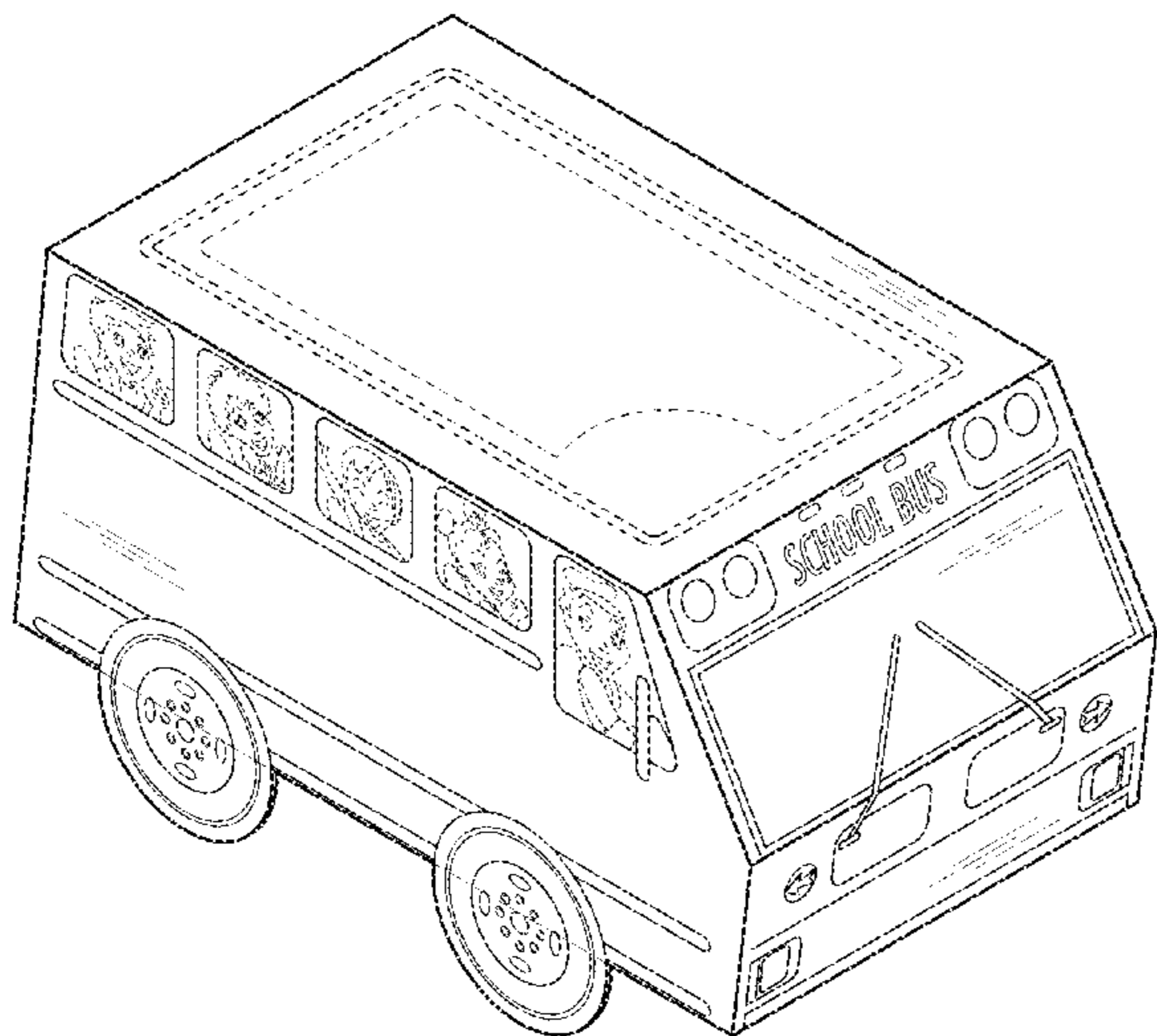
FIG. 6 is a left side elevation view of the shoe box.

FIG. 7 is a top elevation view of the shoe box; and,

FIG. 8 is a bottom elevation view of the shoe box.

The broken lines in the drawings depict unclaimed environment.

1 Claim, 5 Drawing Sheets



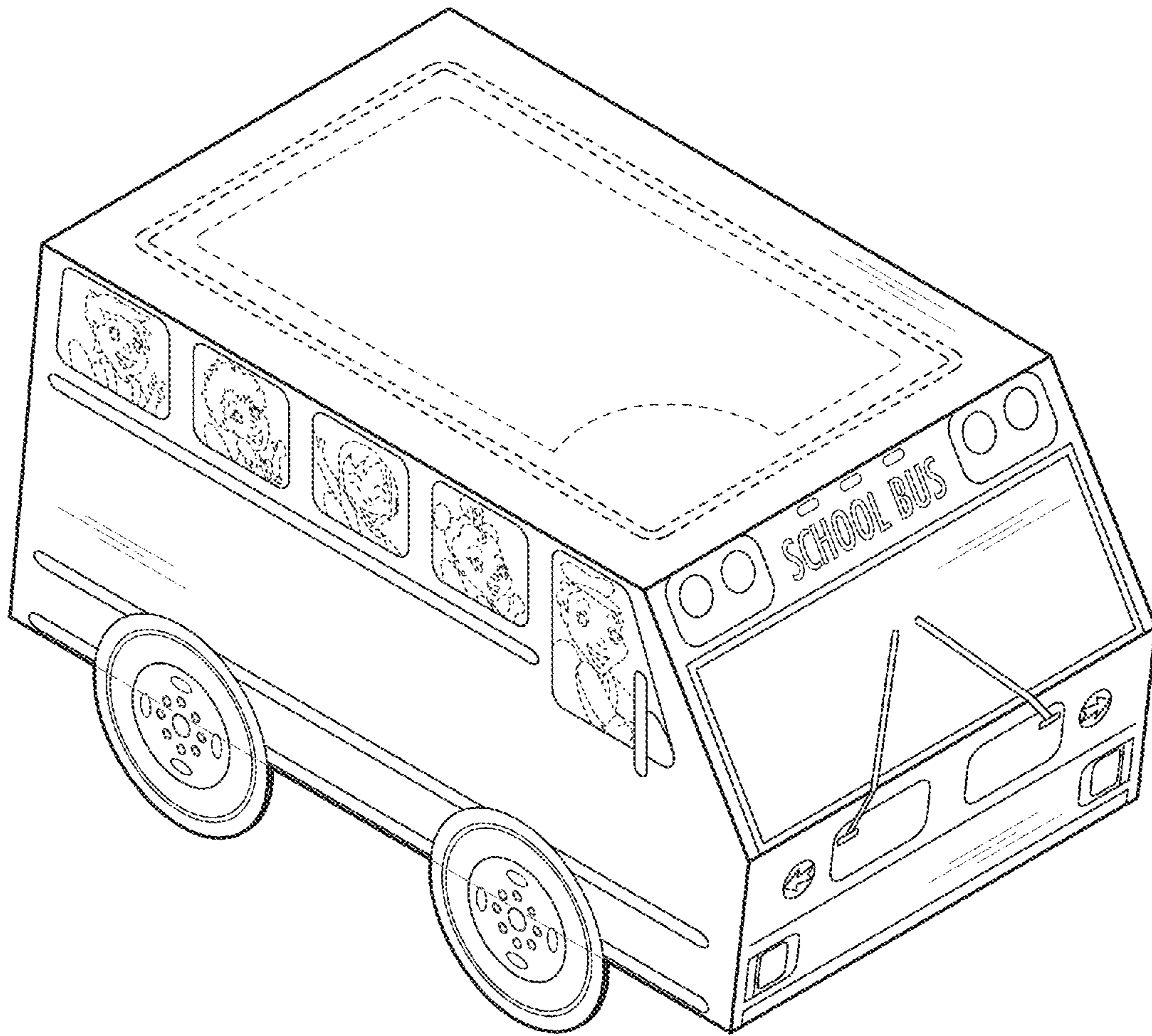


FIG.1

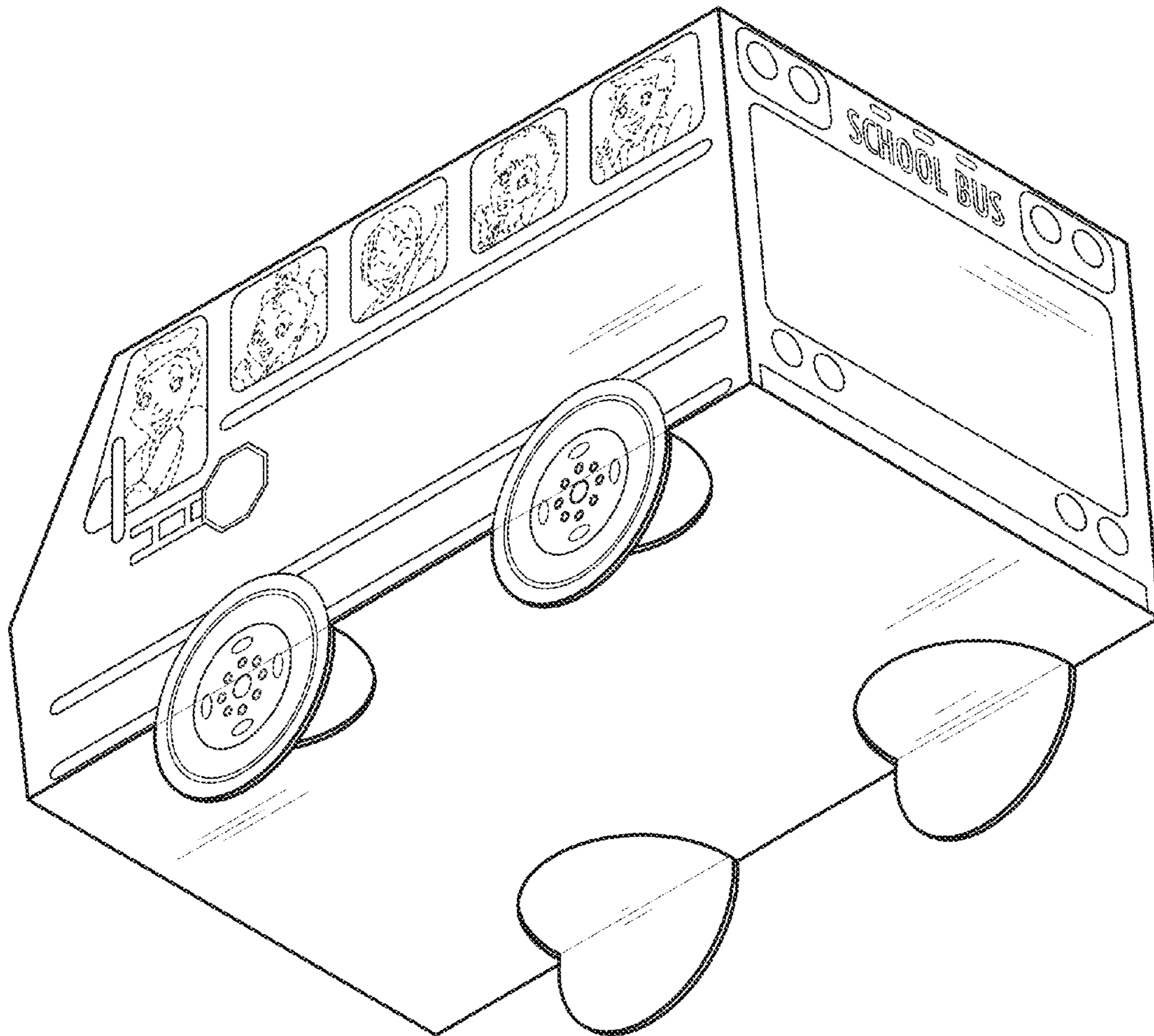


FIG.2

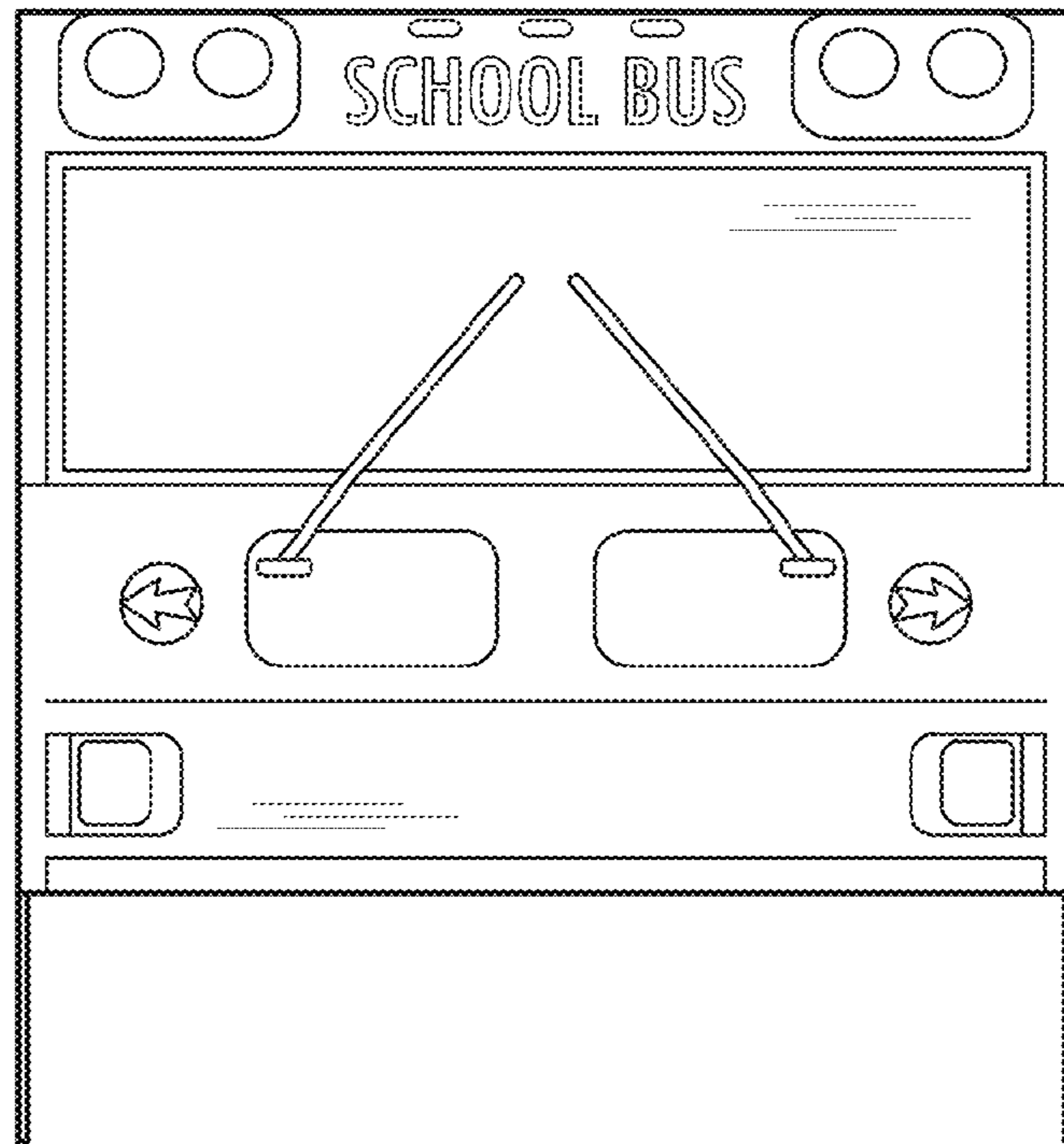


FIG.3

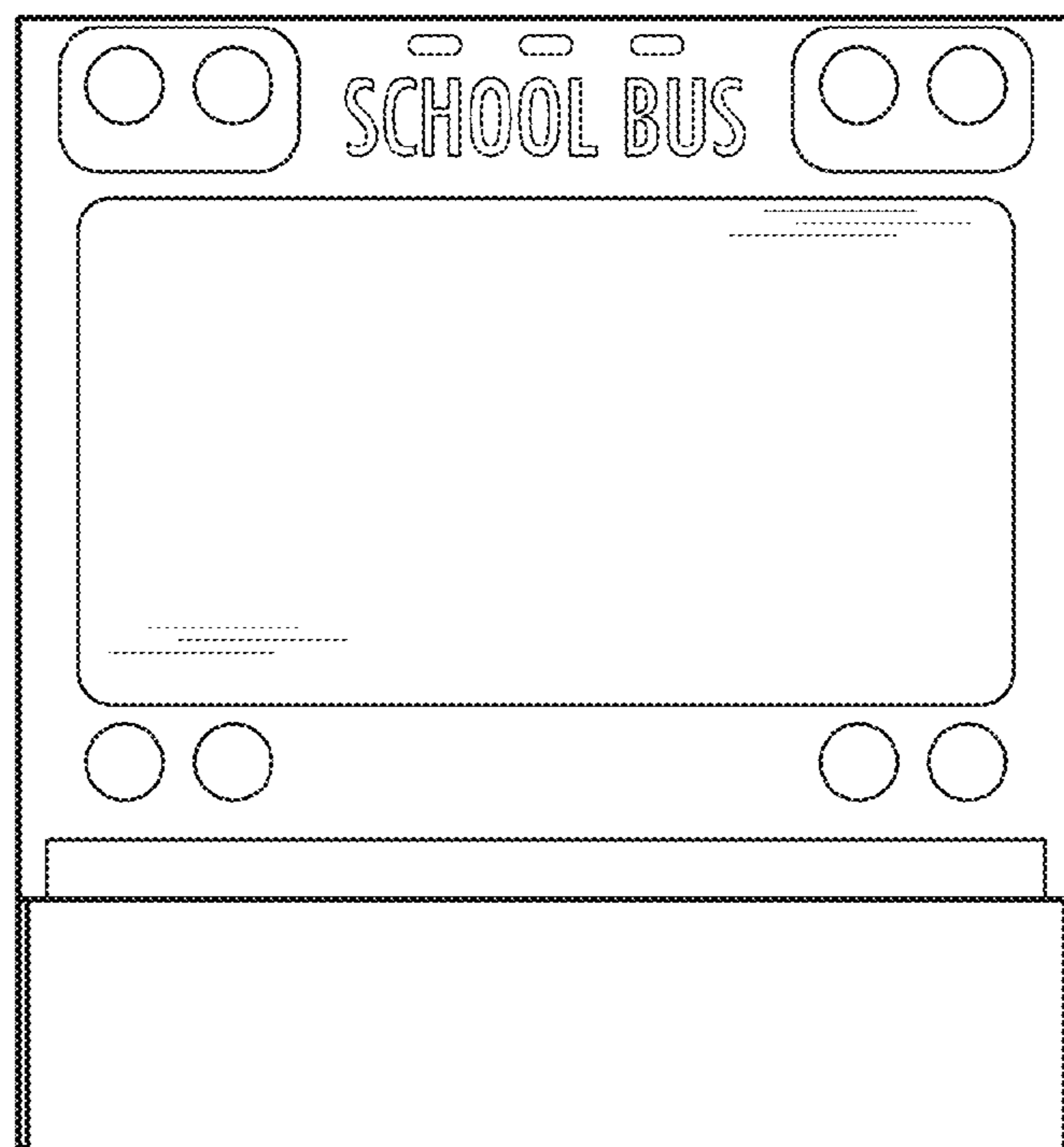


FIG.4

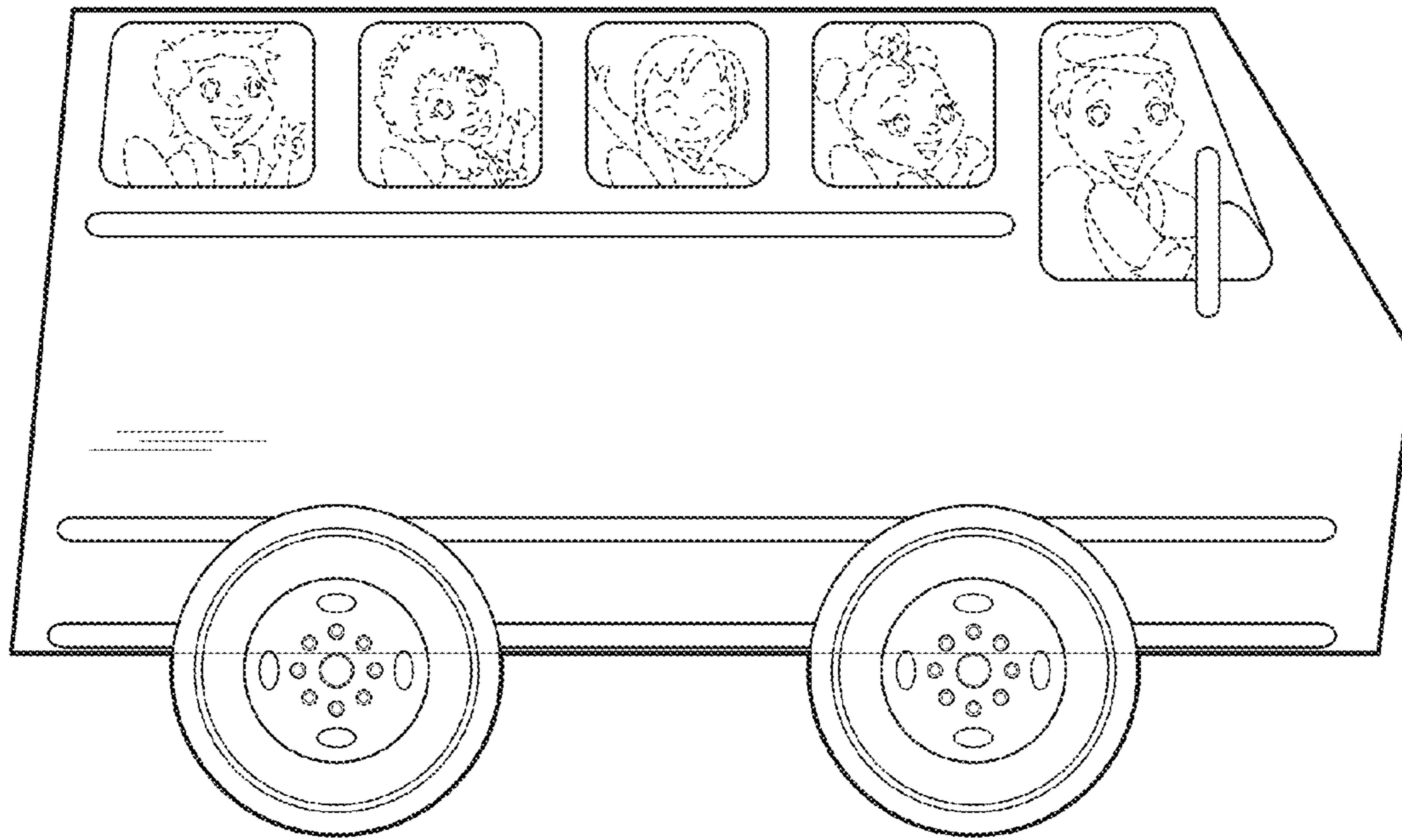


FIG.5

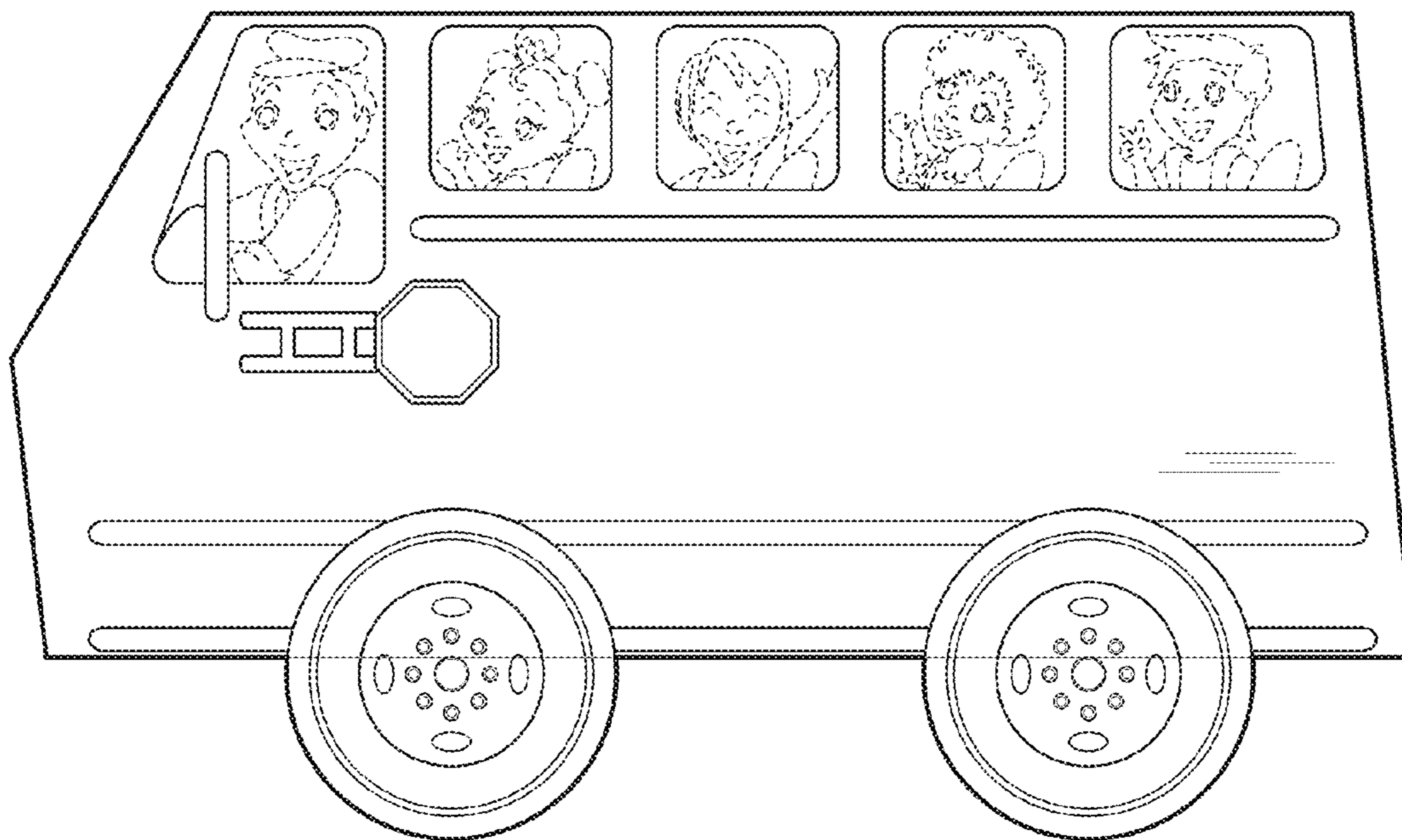


FIG.6

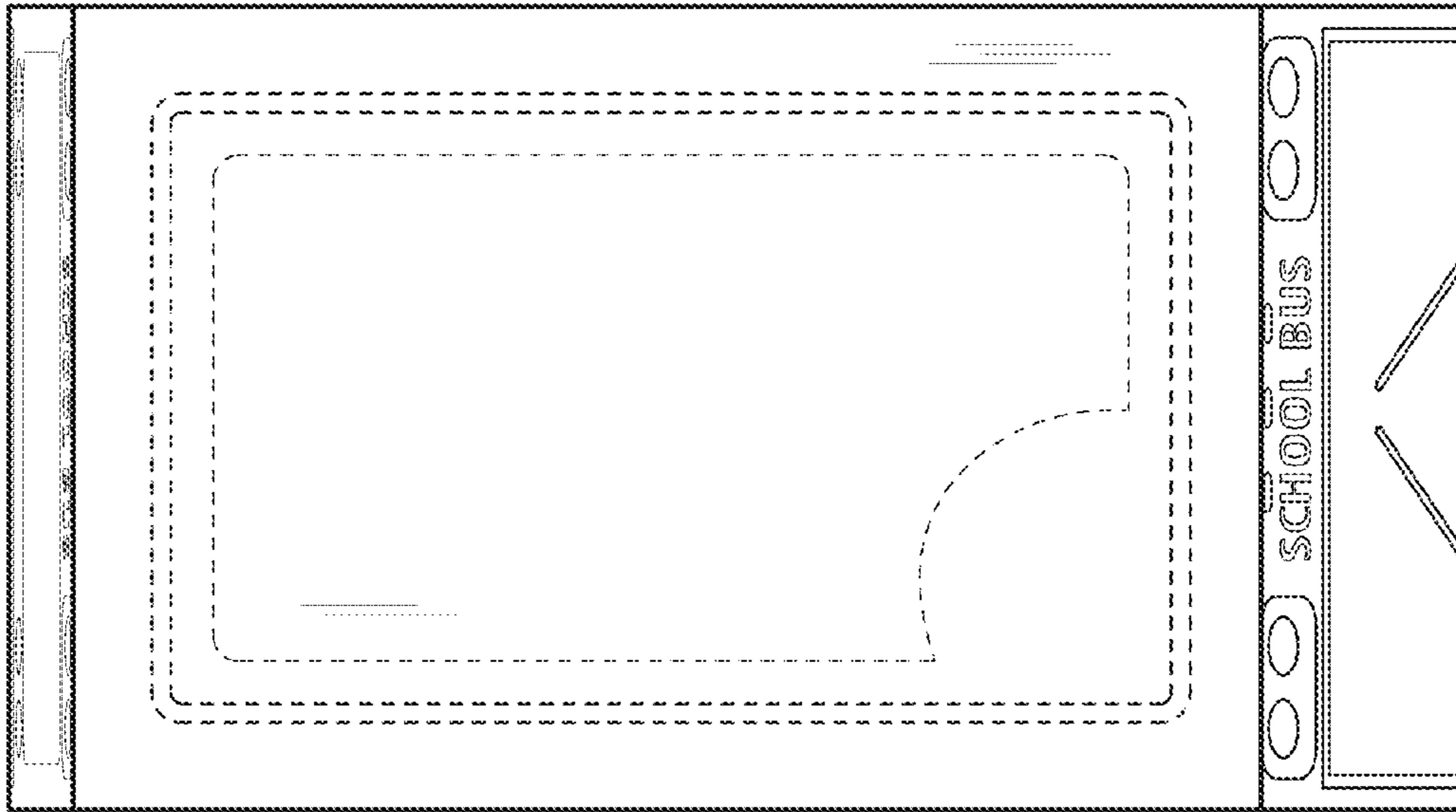


FIG. 7

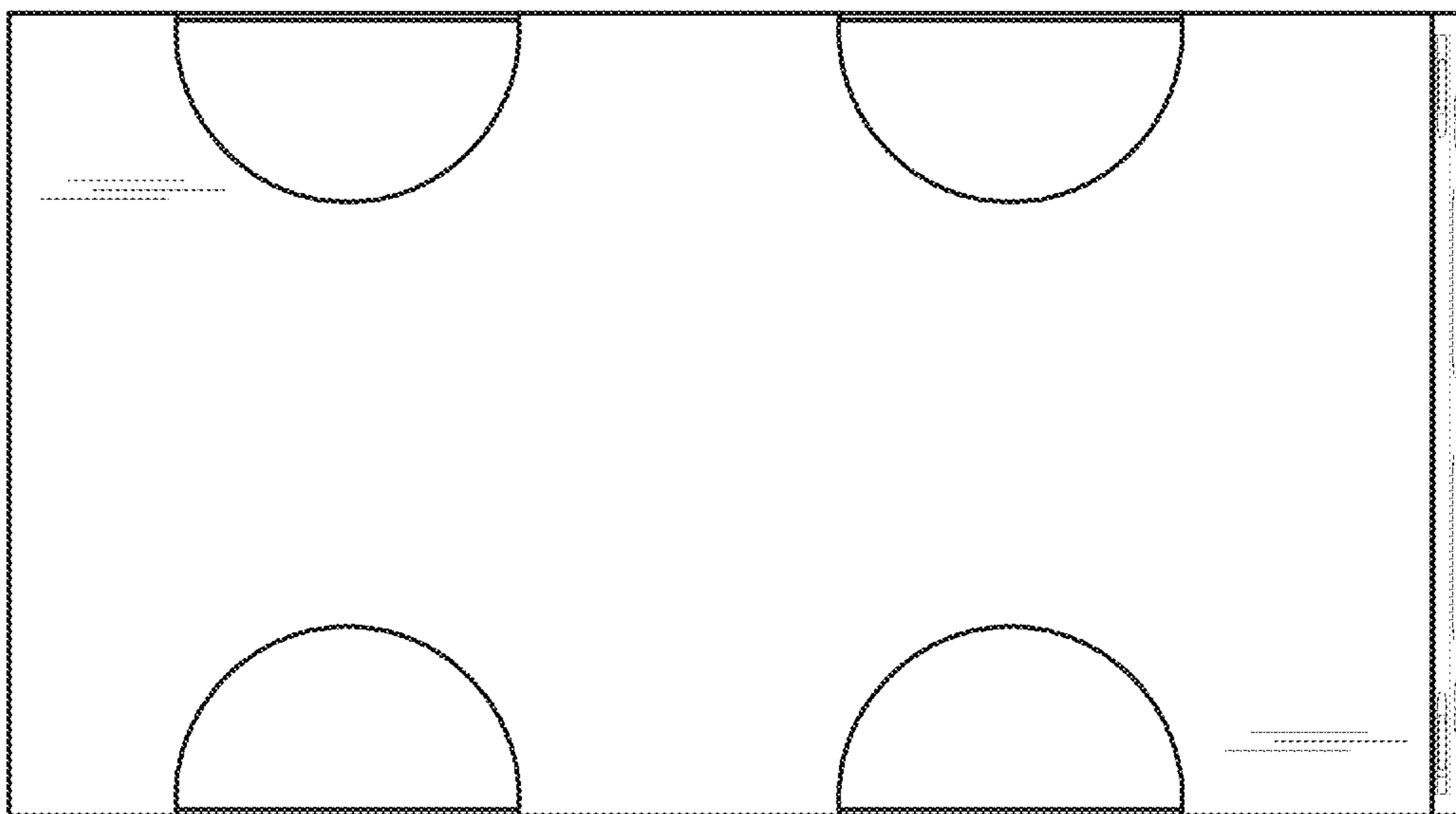


FIG. 8