



US00D681442S

(12) **United States Design Patent**  
**Kengla**

(10) **Patent No.:** **US D681,442 S**

(45) **Date of Patent:** **\*\* May 7, 2013**

(54) **ROUNDED-TOP BOX**

(76) Inventor: **William E. Kengla**, Portland, OR (US)

(\*\*) Term: **14 Years**

(21) Appl. No.: **29/394,577**

(22) Filed: **Jun. 17, 2011**

(51) **LOC (9) Cl.** ..... **09-03**

(52) **U.S. Cl.**  
USPC ..... **D9/414**

(58) **Field of Classification Search** ..... D9/346,  
D9/414-418, 424, 425, 423, 432-436, 445,  
D9/431, 453, 499, 500, 504, 516, 519, 522,  
D9/529, 535, 537, 545, 551, 571, 672, 675,  
D9/702, 711, 715, 721, 722, 737, 748, 759,  
D9/740, 743, 745, 749, 756, 718; D3/201,  
D3/203.3, 269, 273, 282, 300, 302, 315;  
221/306; 53/411, 467, 170; 206/536

See application file for complete search history.

(56) **References Cited**

**U.S. PATENT DOCUMENTS**

1,482,783	A	2/1924	Boucher	
1,683,100	A	9/1928	Rozowsky	
1,947,718	A	2/1934	Labadie et al.	
2,262,313	A	11/1941	Clappier	
D154,119	S	6/1949	Gumbrill	
4,193,534	A *	3/1980	Focke et al.	229/146
5,230,463	A	7/1993	Brauner	
5,975,415	A	11/1999	Zehnal	
D431,775	S *	10/2000	Plattner et al.	D9/415
6,276,600	B1 *	8/2001	Rigby	229/128
6,672,762	B1	1/2004	Faircloth et al.	
D536,965	S *	2/2007	Levy	D9/430
D579,325	S *	10/2008	Bray et al.	D9/423
D601,418	S	10/2009	Bone et al.	
D619,454	S *	7/2010	Fluegel et al.	D9/423

\* cited by examiner

*Primary Examiner* — Robert M Spear

*Assistant Examiner* — Rhea Shields

(74) *Attorney, Agent, or Firm* — Law Office of Karen Dana Oster, LLC

(57) **CLAIM**

I claim the ornamental design for a rounded-top box, as shown and described.

**DESCRIPTION**

FIG. 1 is a perspective view of a first rounded-top box showing our new design in an open position.

FIG. 2 is a perspective view of the rounded-top box of FIG. 1 in a closed position.

FIG. 3 is a front view of the rounded-top box of FIG. 1 in the closed position.

FIG. 4 is a first side view of the rounded-top box of FIG. 1 in the closed position, the second side view being a mirror image of the first side view.

FIG. 5 is a top view of the rounded-top box of FIG. 1 in the closed position.

FIG. 6 is a back view of the rounded-top box of FIG. 1 in the closed position.

FIG. 7 is a perspective view of a second rounded-top box showing our new design in an open position.

FIG. 8 is a perspective view of the rounded-top box of FIG. 7 in a closed position.

FIG. 9 is a front view of the rounded-top box of FIG. 7 in the closed position.

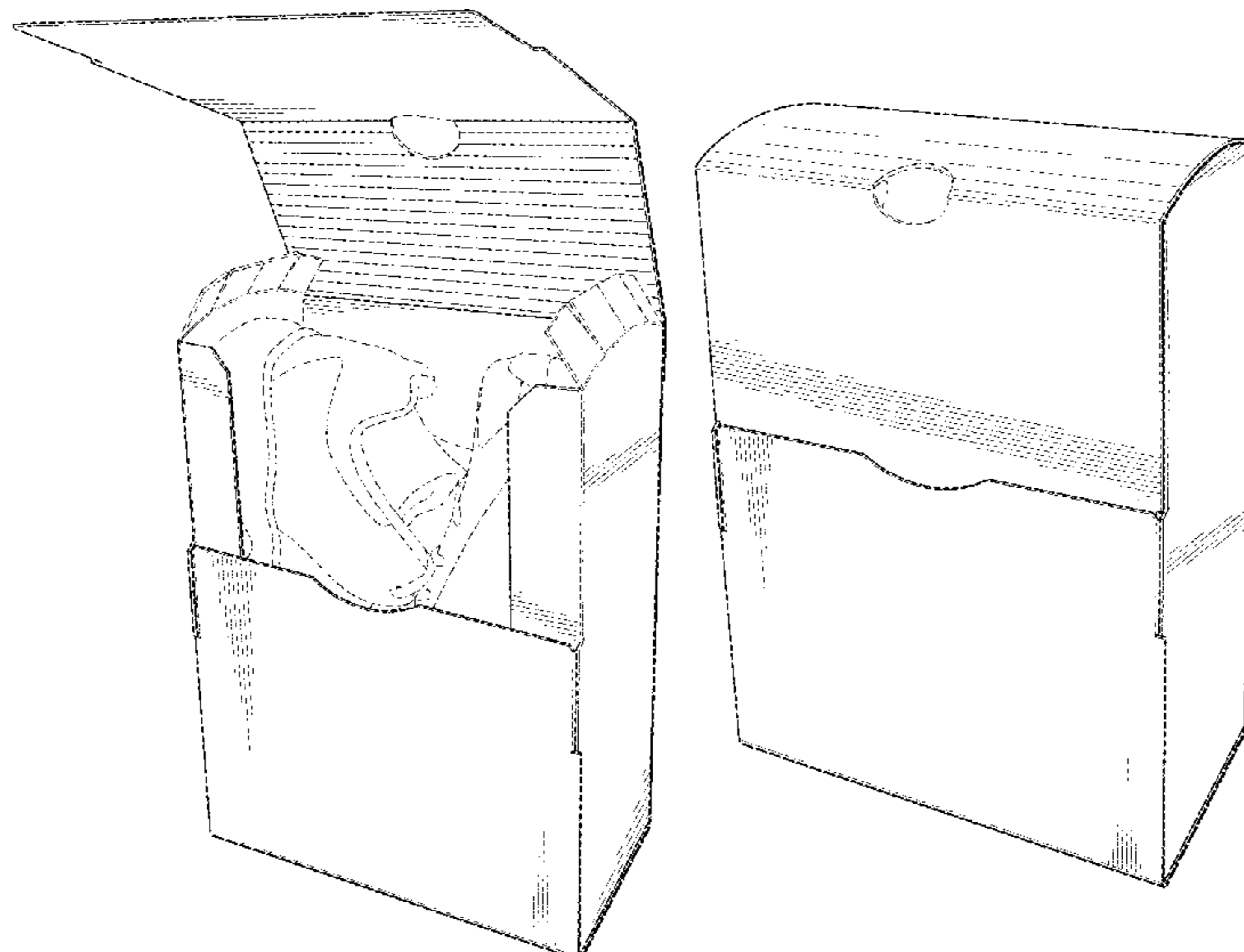
FIG. 10 is a first side view of the rounded-top box of FIG. 7 in the closed position, the second side view being a mirror image of the first side view.

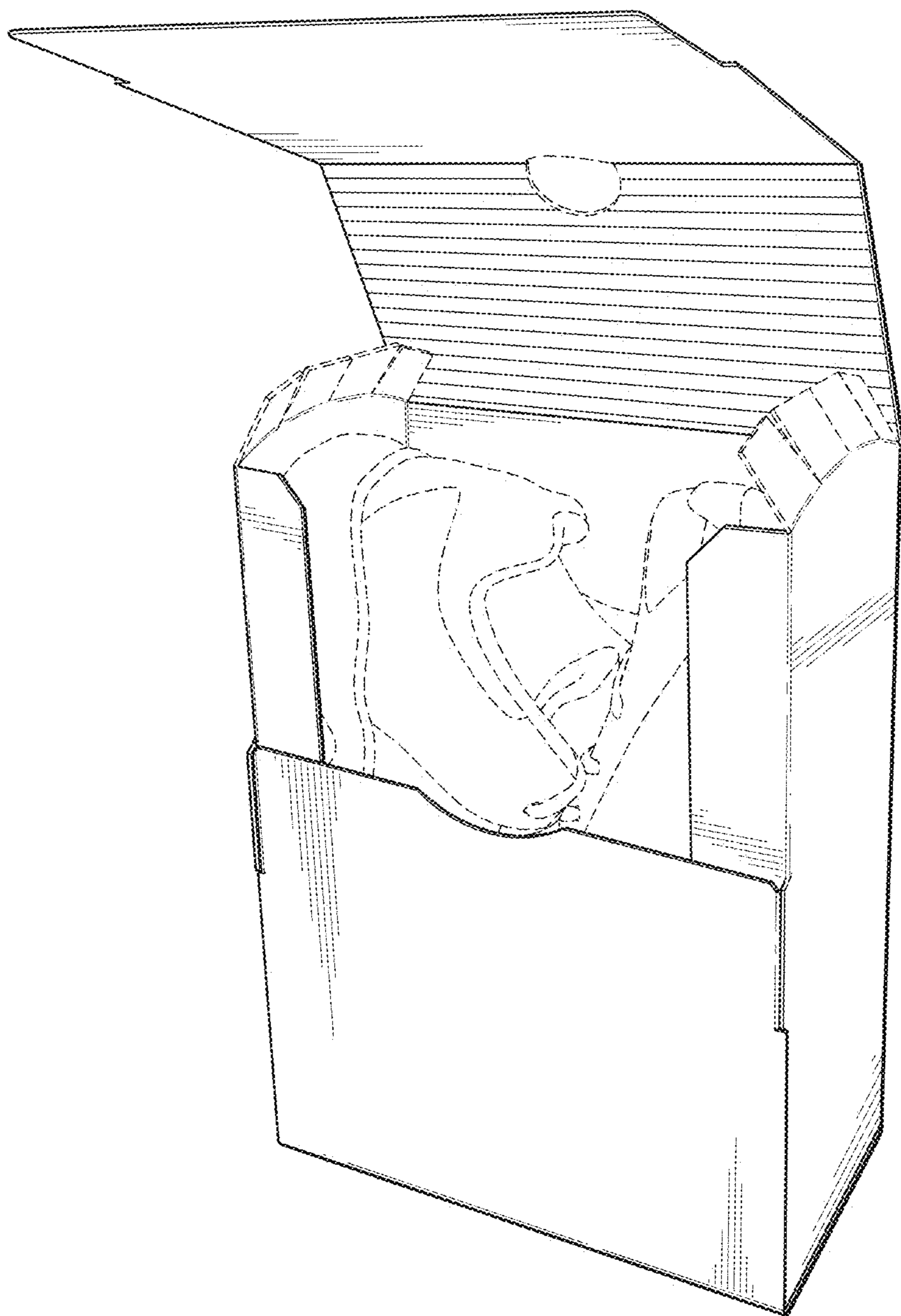
FIG. 11 is a top view of the rounded-top box of FIG. 7 in the closed position; and,

FIG. 12 is a back view of the rounded-top box of FIG. 7 in the closed position.

The broken line depictions of the shoes and other structure are included for environmental purposes and form no part of the claimed design.

**1 Claim, 10 Drawing Sheets**





*FIG. 1*

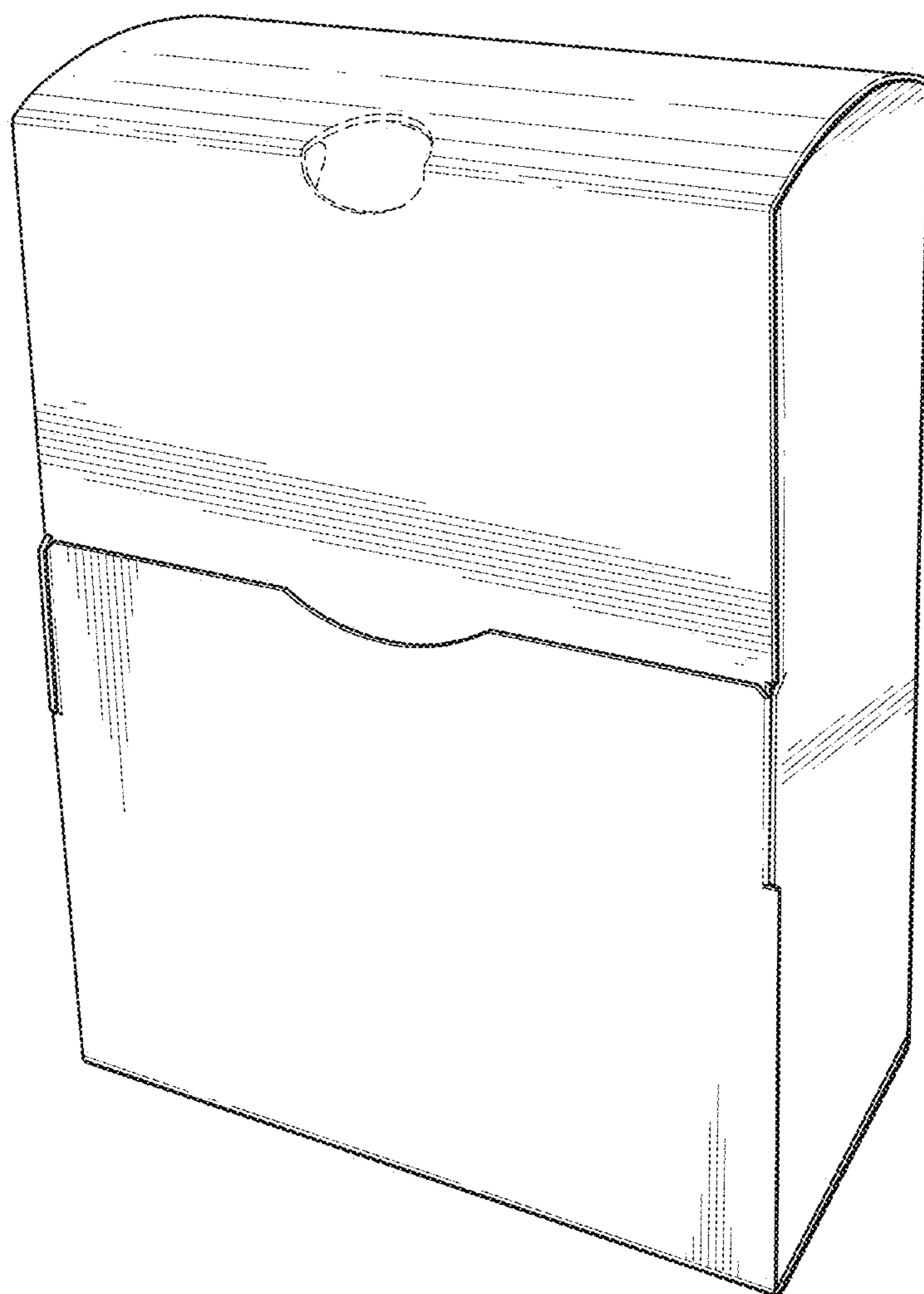
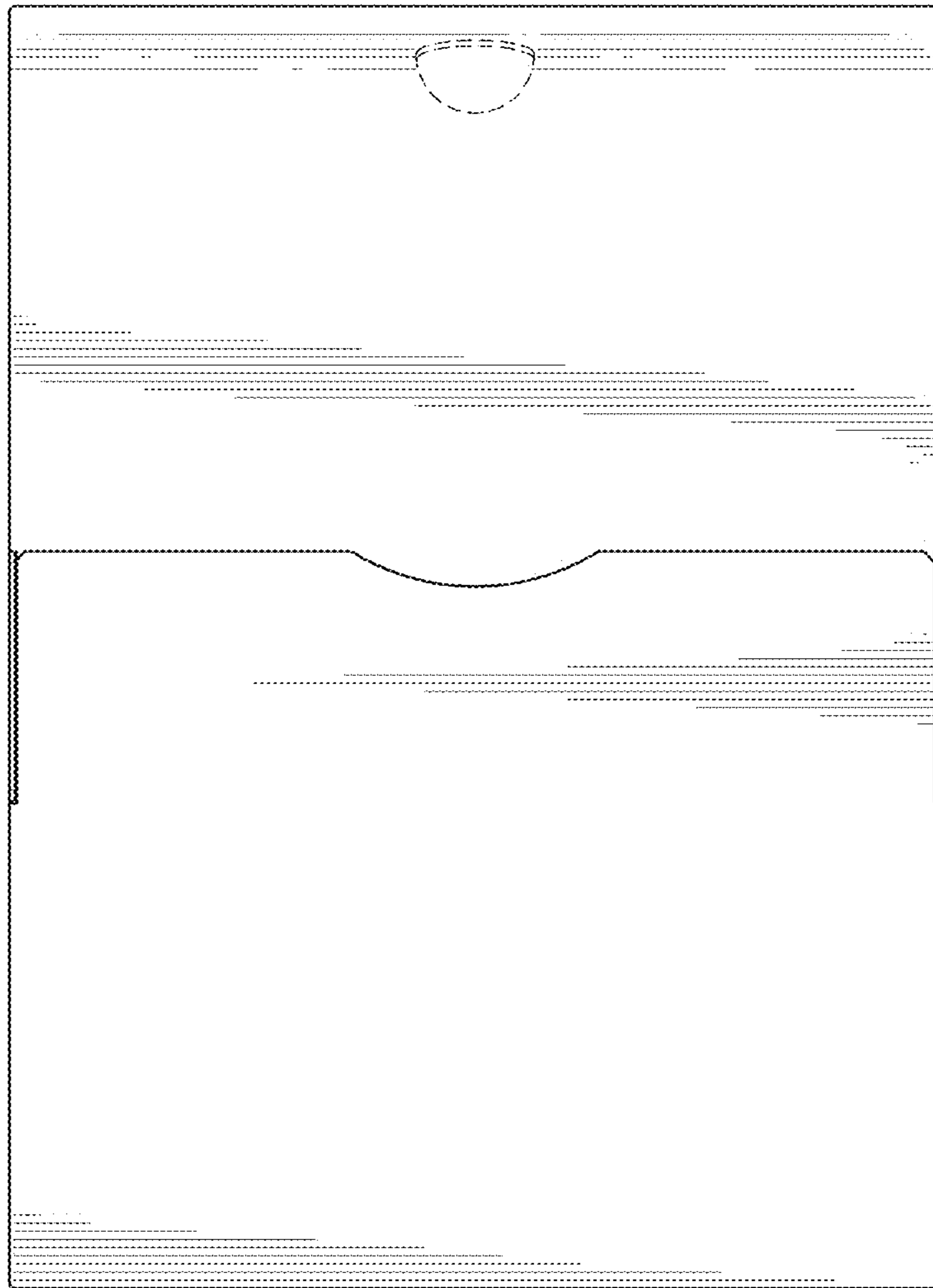


FIG. 2



*FIG. 3*

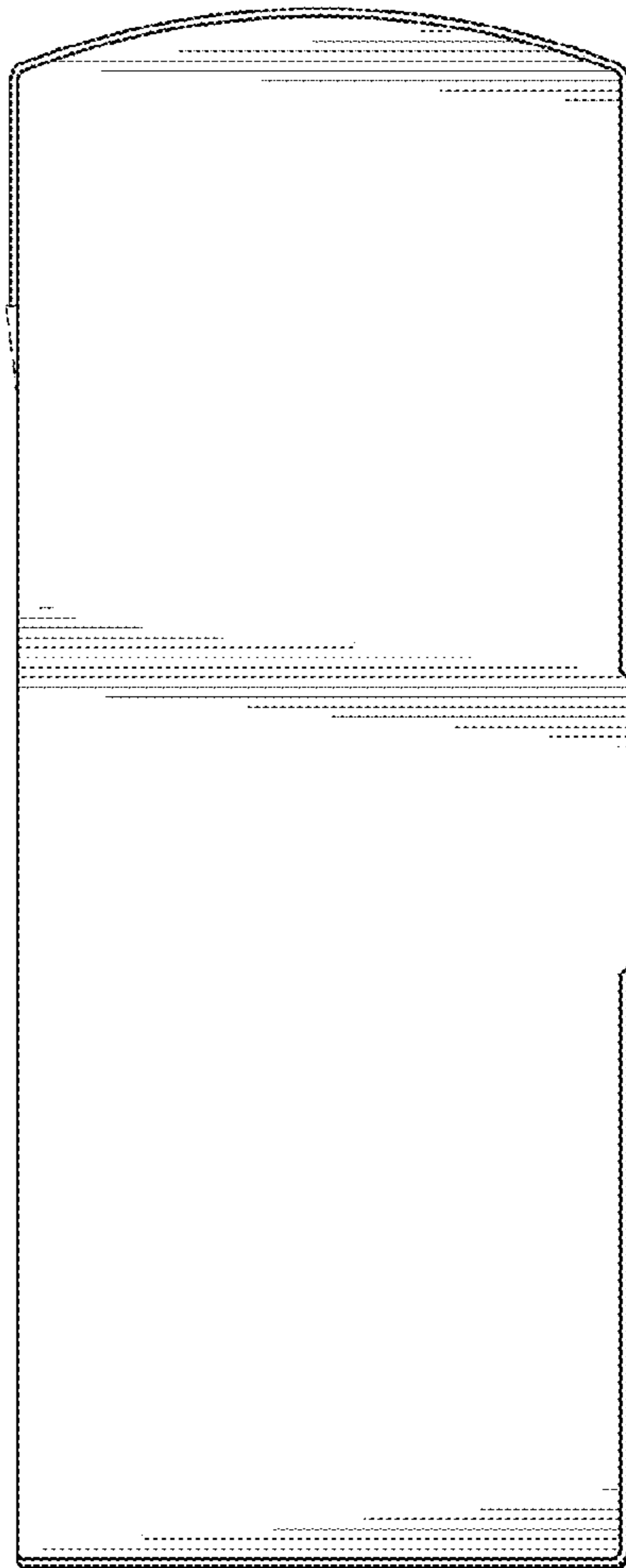


FIG. 4

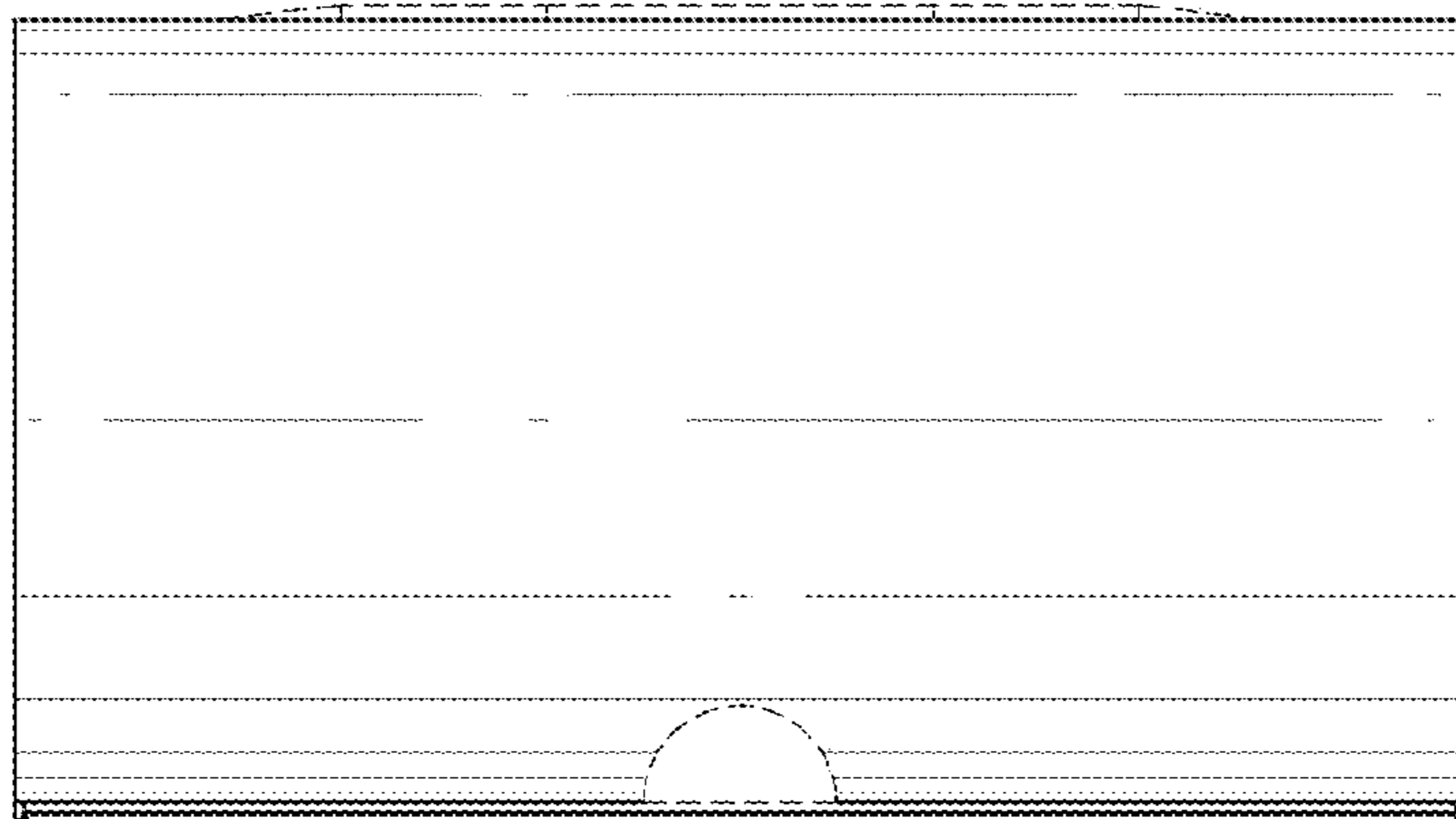
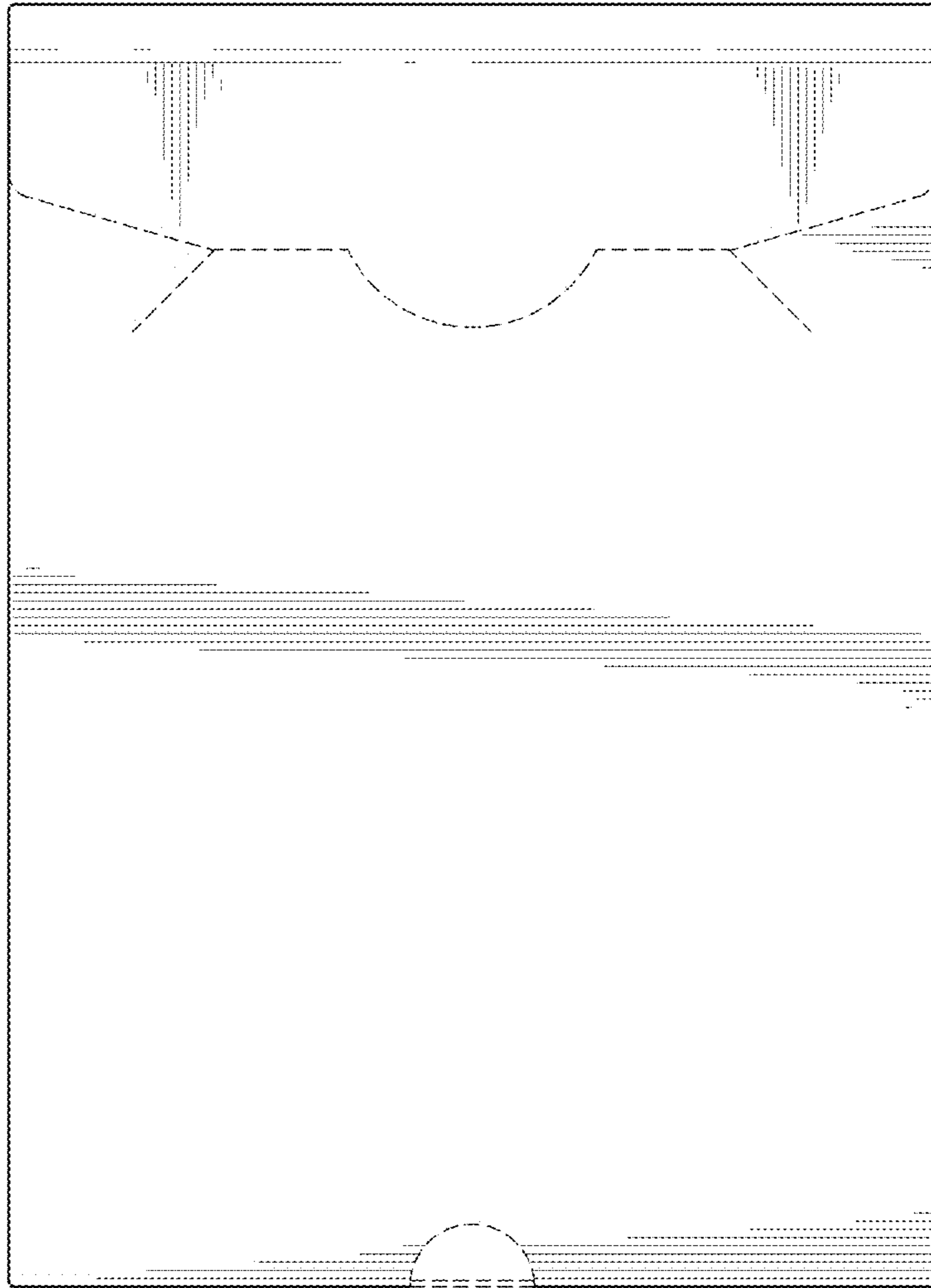
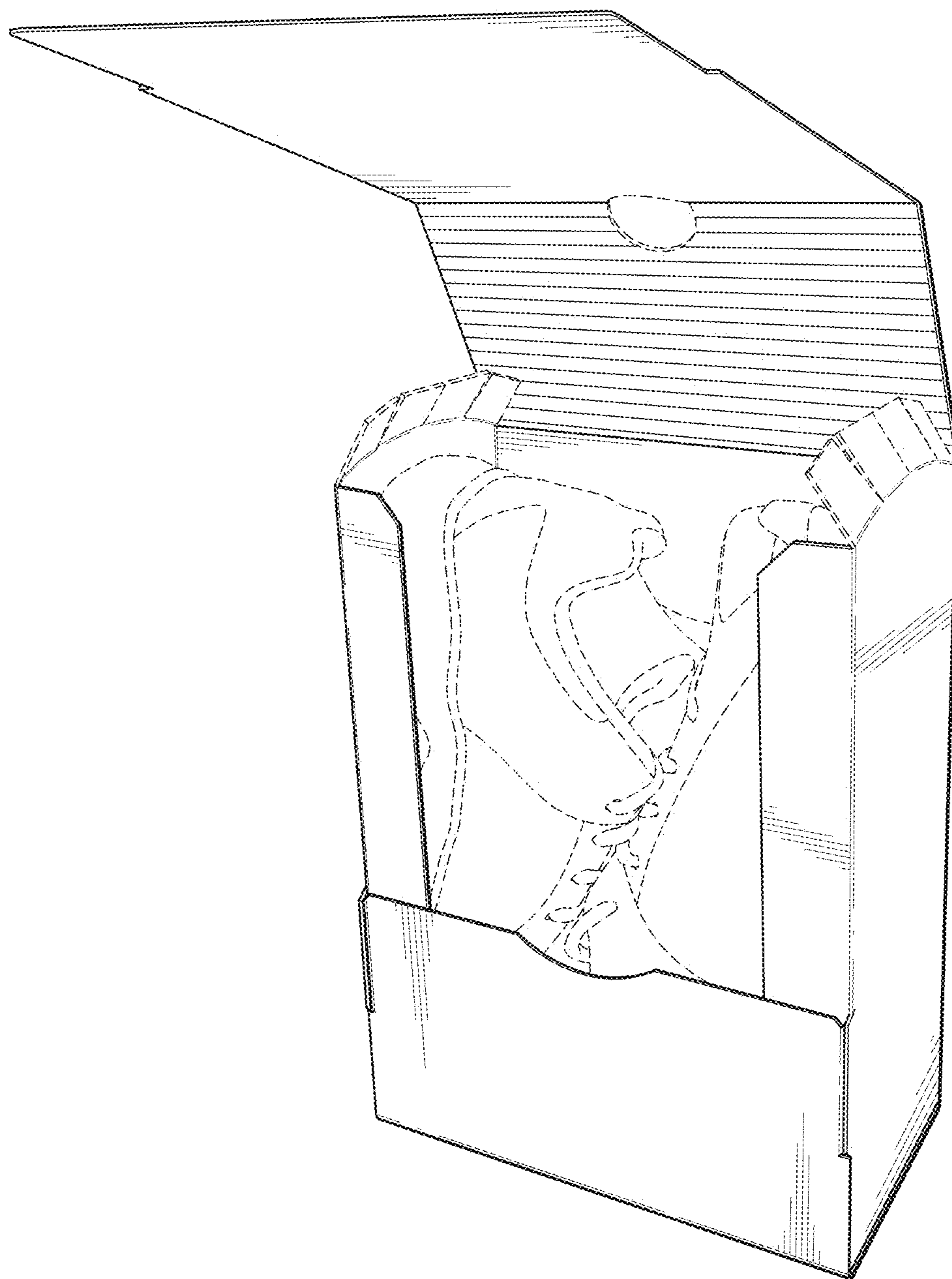


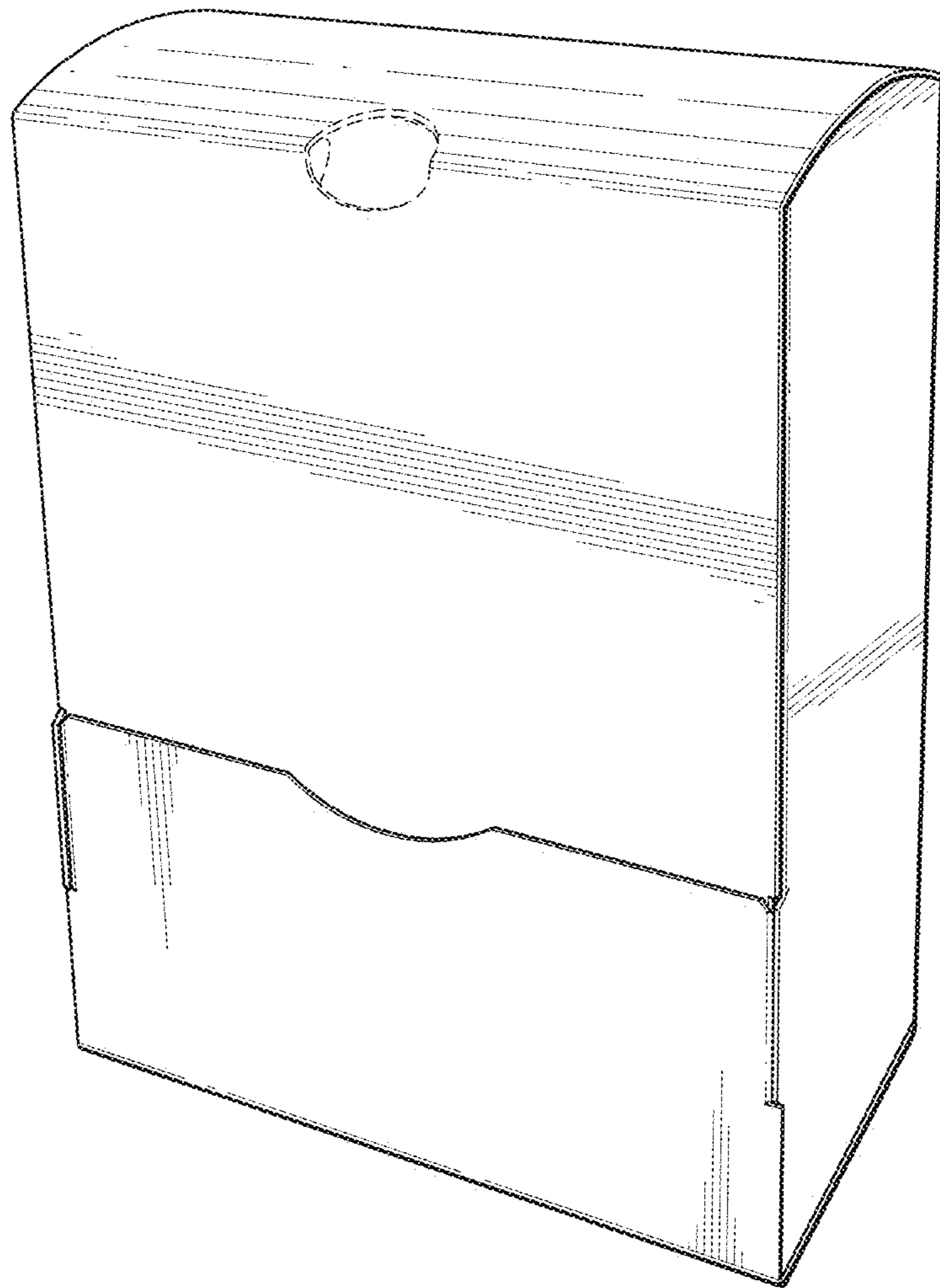
FIG. 5



*FIG. 6*

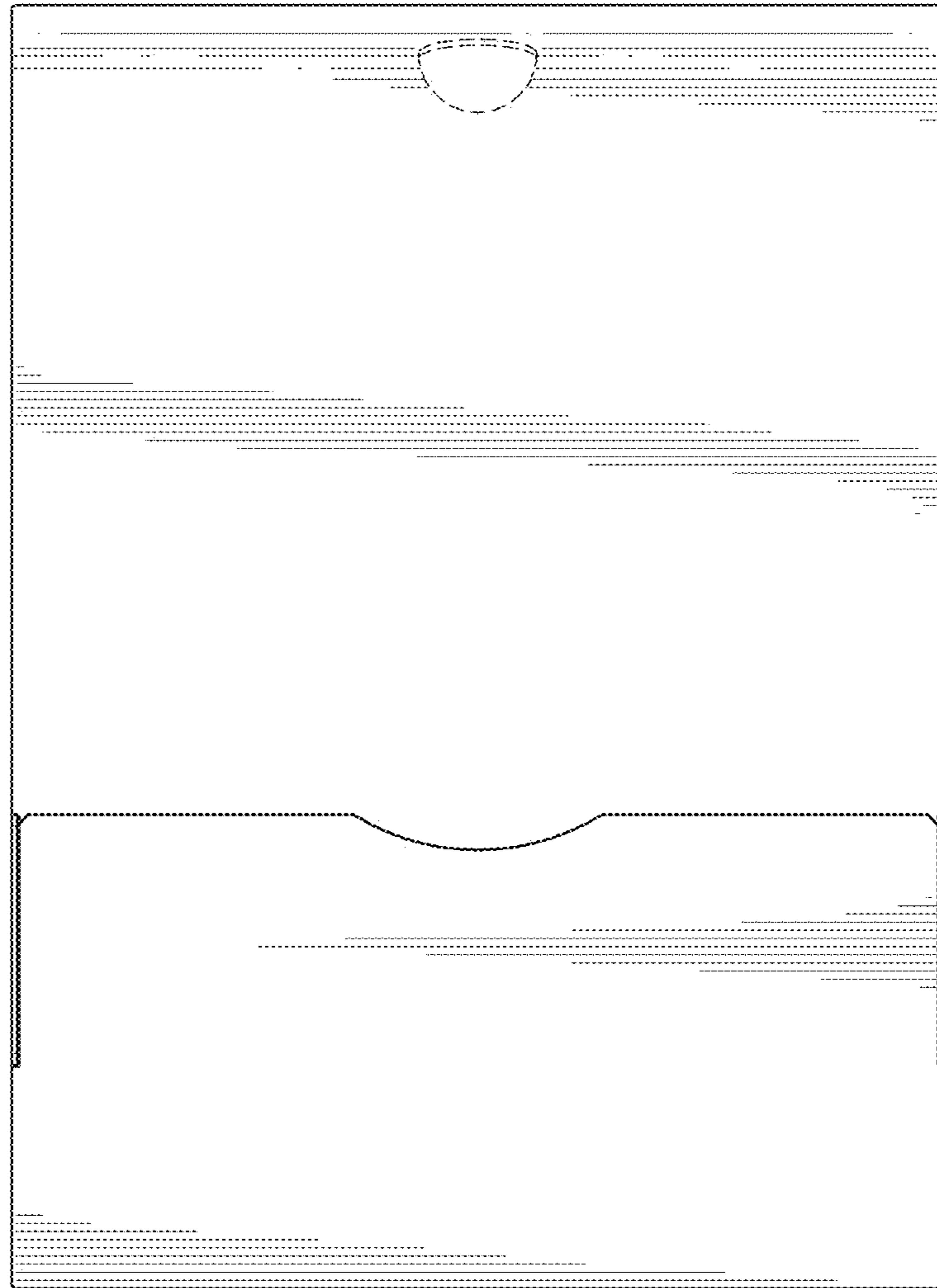


*FIG. 7*

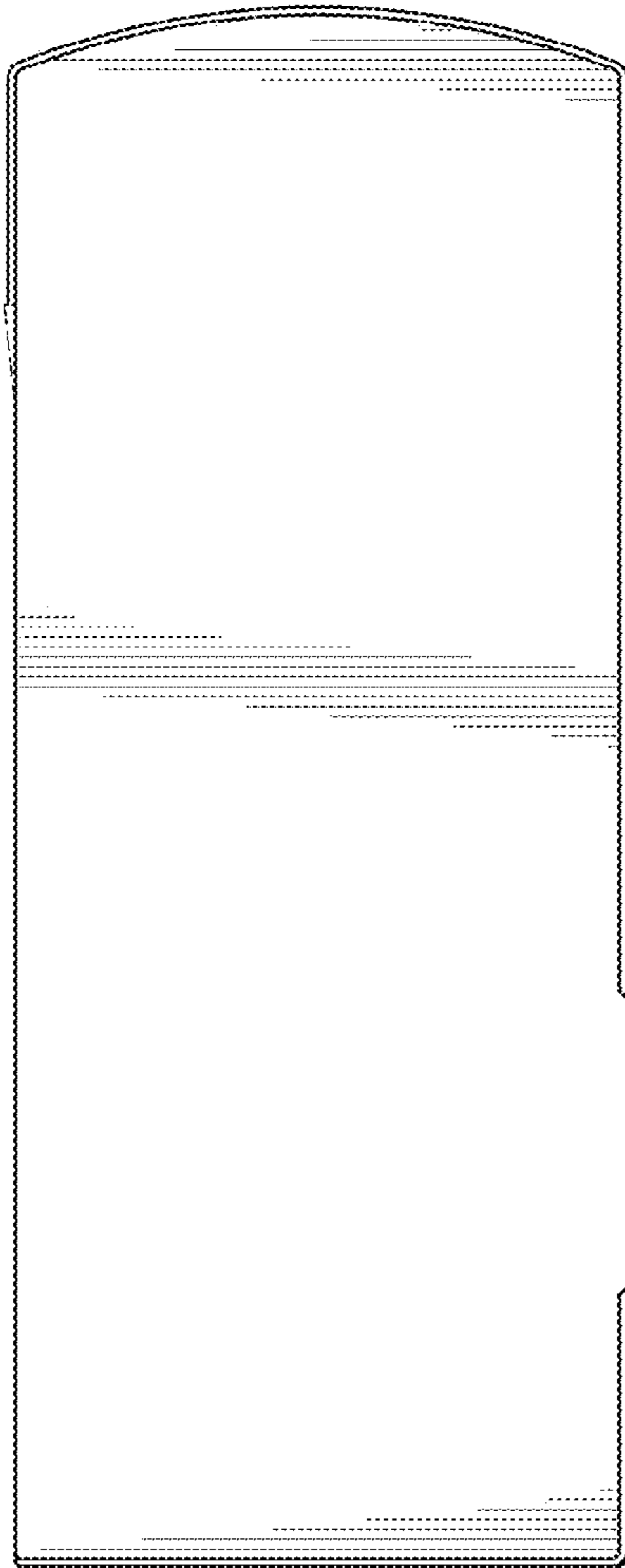


*FIG. 8*

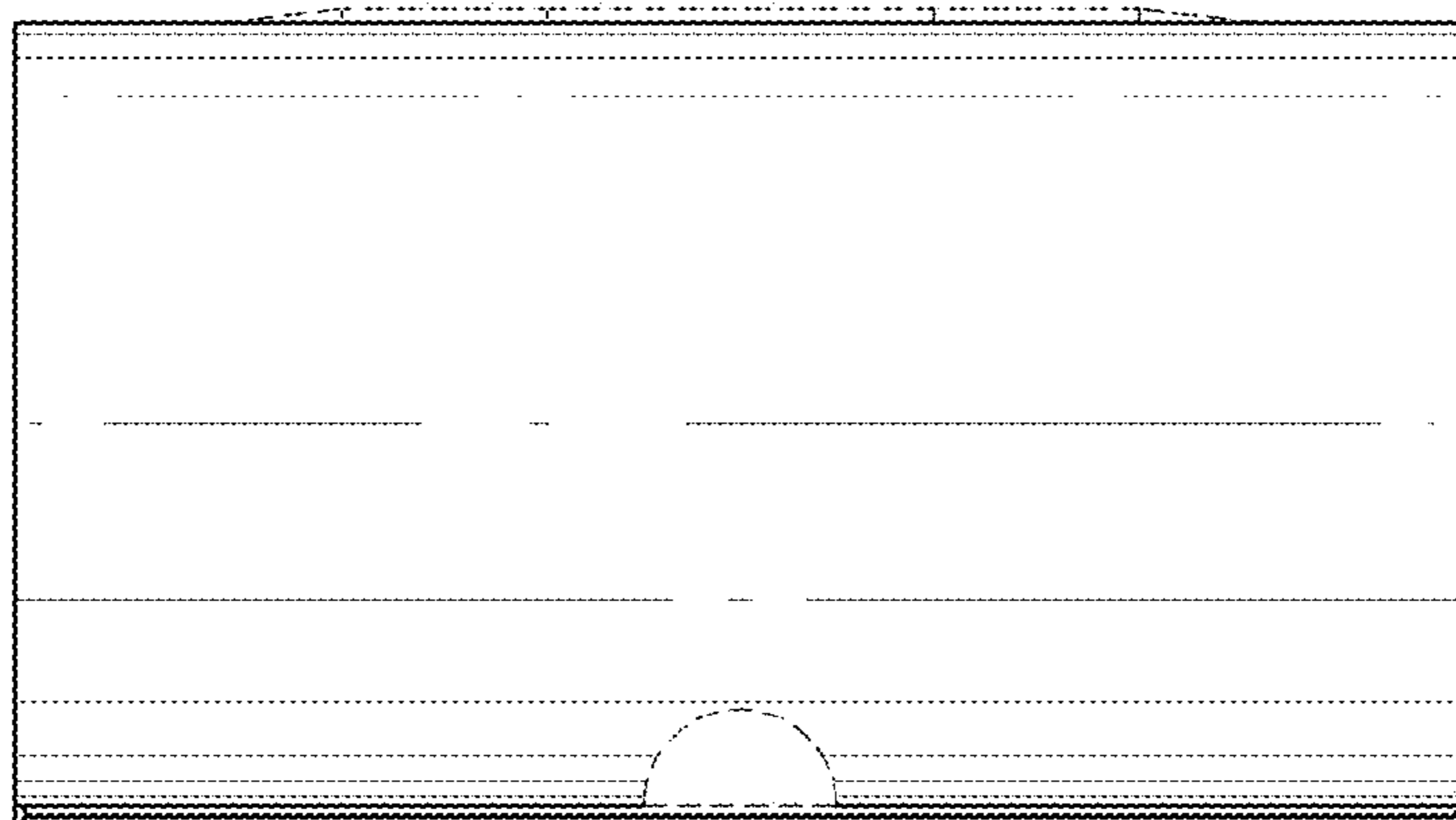




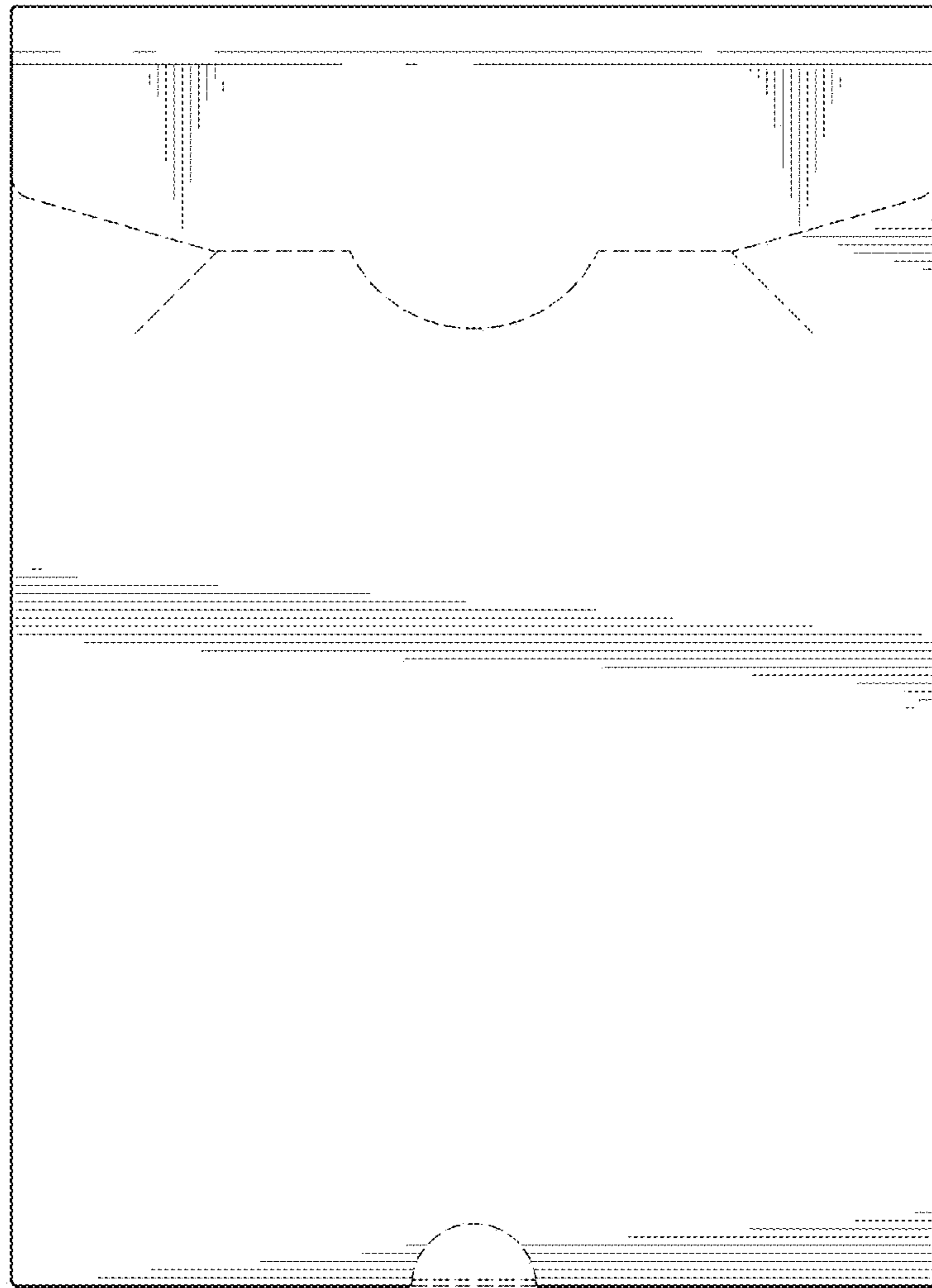
*FIG. 9*



*FIG. 10*



*FIG. 11*



*FIG. 12*