



US00D681441S

(12) **United States Design Patent**
Tung

(10) **Patent No.:** **US D681,441 S**

(45) **Date of Patent:** **** May 7, 2013**

(54) **DOOR HOLDER**

(75) Inventor: **Chin-Chung Tung**, New Taipei (TW)

(73) Assignee: **Marine Town Inc.**, Panchiao Dist., New Taipei (TW)

(**) Term: **14 Years**

(21) Appl. No.: **29/421,556**

(22) Filed: **Aug. 15, 2012**

(51) **LOC (9) Cl.** **08-09**

(52) **U.S. Cl.**
USPC **D8/402; D8/343**

(58) **Field of Classification Search** D8/395,
D8/400-404, 499, 391, 393, 388, 360, 330,
D8/343, 344; D9/456, 614, 623, 628, 640,
D9/673; 160/181; D21/385, 418, 426, 430,
D21/441, 447-449, 51, 499, 582, 587, 593,
D21/594, 621; 40/331, 599; 16/71, 82, 83,
16/375, 342, 85, 86 B; D28/91.1, 38, 39,
D28/54.1; D11/36, 32, 53, 78.1, 101, 113,
D11/136, 150, 160, 162; D6/332, 553-574;
D20/19, 42, 43; D19/34.1, 34.5, 65, 90;
292/343, 342; 248/188.2; D25/38.1; D29/124

See application file for complete search history.

(56) **References Cited**

U.S. PATENT DOCUMENTS

D248,212	S	*	6/1978	Miller, Jr.	D8/402
D257,123	S	*	9/1980	Farmer, Jr.	D8/402
D257,944	S	*	1/1981	Morita	D8/331
D259,395	S	*	6/1981	Sugasawara	D8/402
D263,558	S	*	3/1982	Morita	D8/402
D274,980	S	*	8/1984	Tomita	D8/402
D608,632	S	*	1/2010	Lynch	D8/402
D647,496	S	*	10/2011	Tung	D13/183

* cited by examiner

Primary Examiner — Robert M Spear

Assistant Examiner — Janice Hallmark

(74) *Attorney, Agent, or Firm* — Charles E. Baxley

(57) **CLAIM**

The ornamental design for a door holder, as shown and described.

DESCRIPTION

FIG. 1 is a perspective view of a door holder showing our new design thereof;

FIG. 2 is a front elevational view thereof;

FIG. 3 is a rear elevational view thereof;

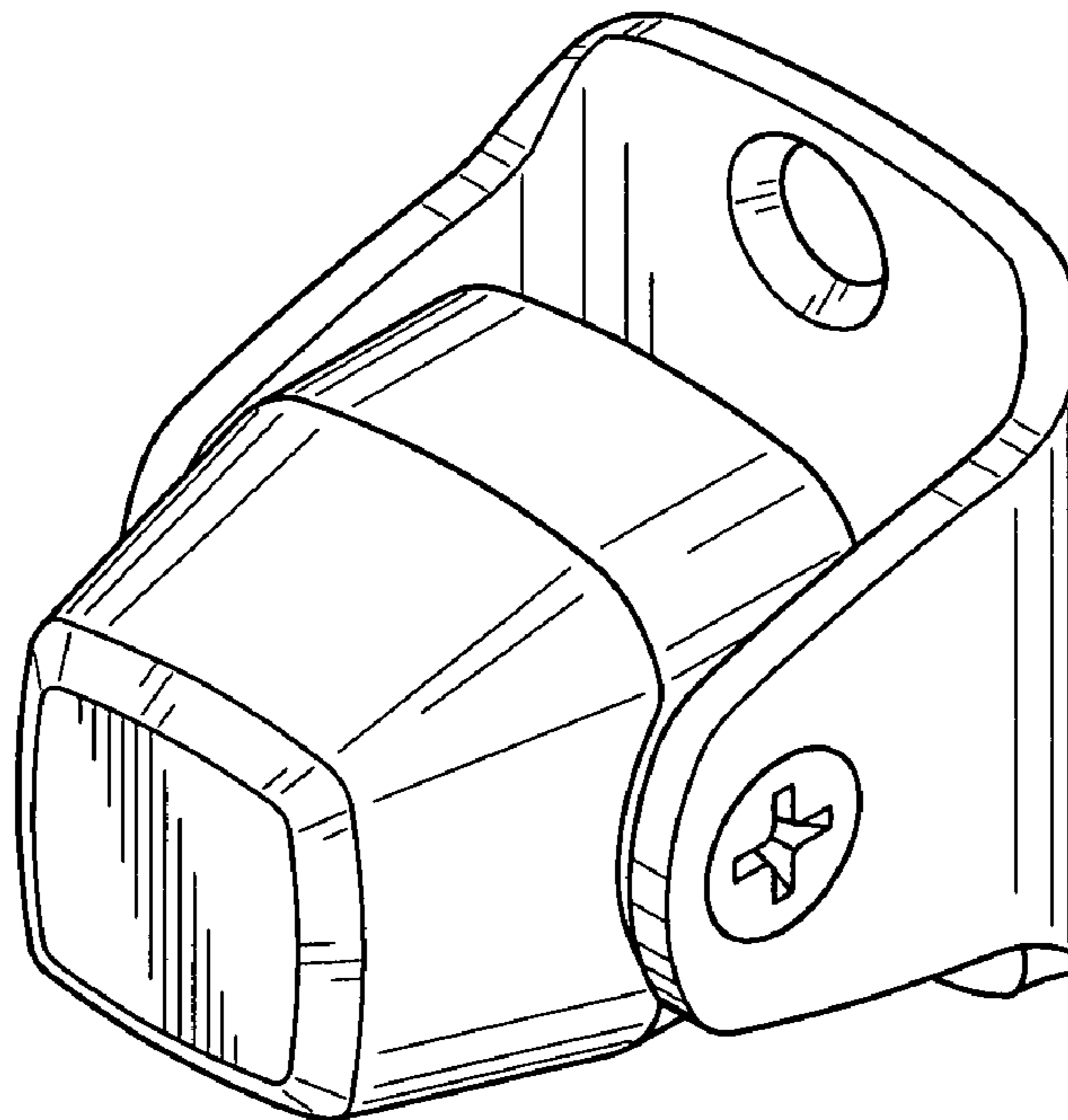
FIG. 4 is a left side elevational view thereof;

FIG. 5 is a right side elevational view thereof;

FIG. 6 is a top plan view thereof; and,

FIG. 7 is a bottom plan view thereof.

1 Claim, 4 Drawing Sheets



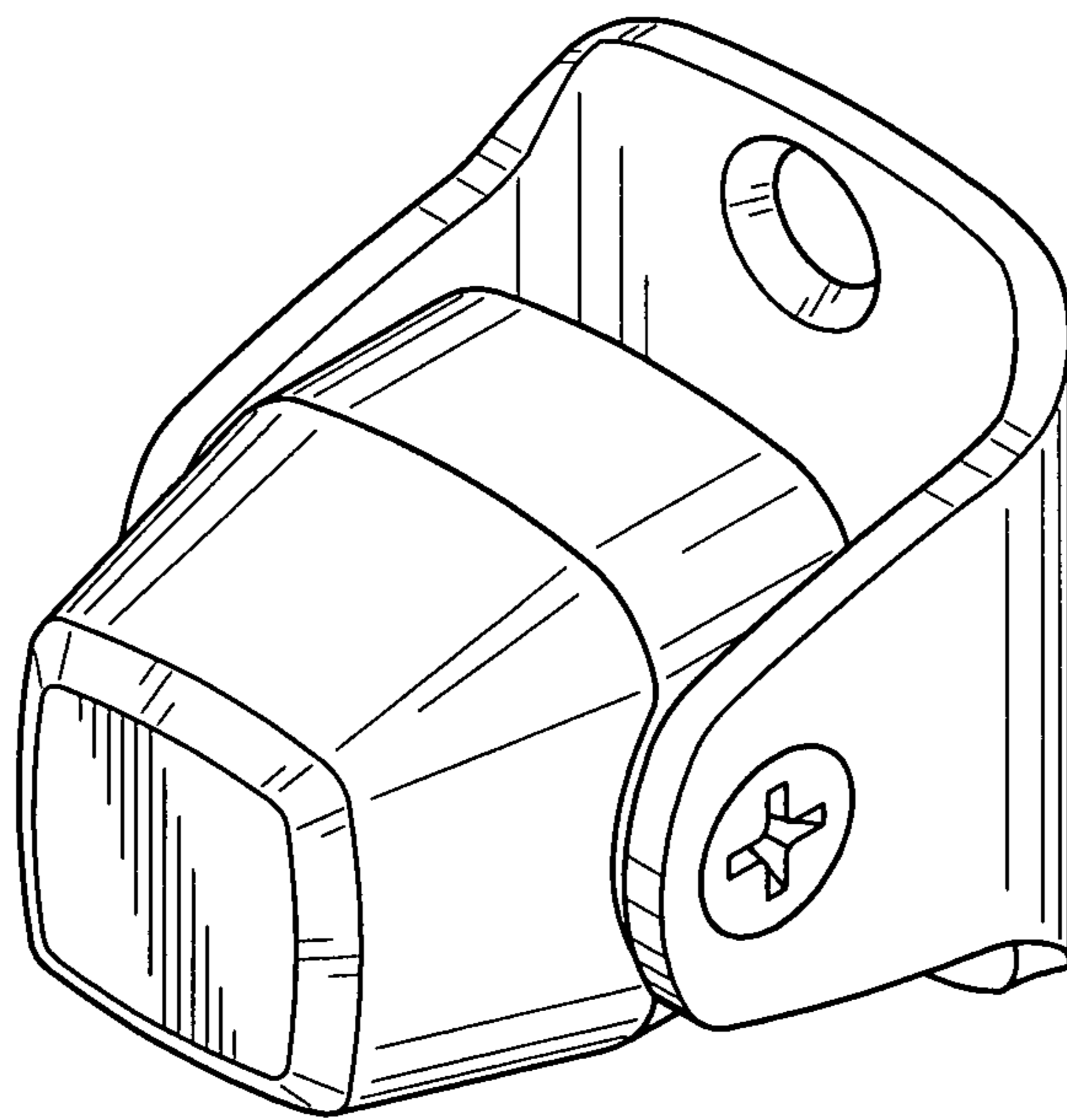


FIG. 1

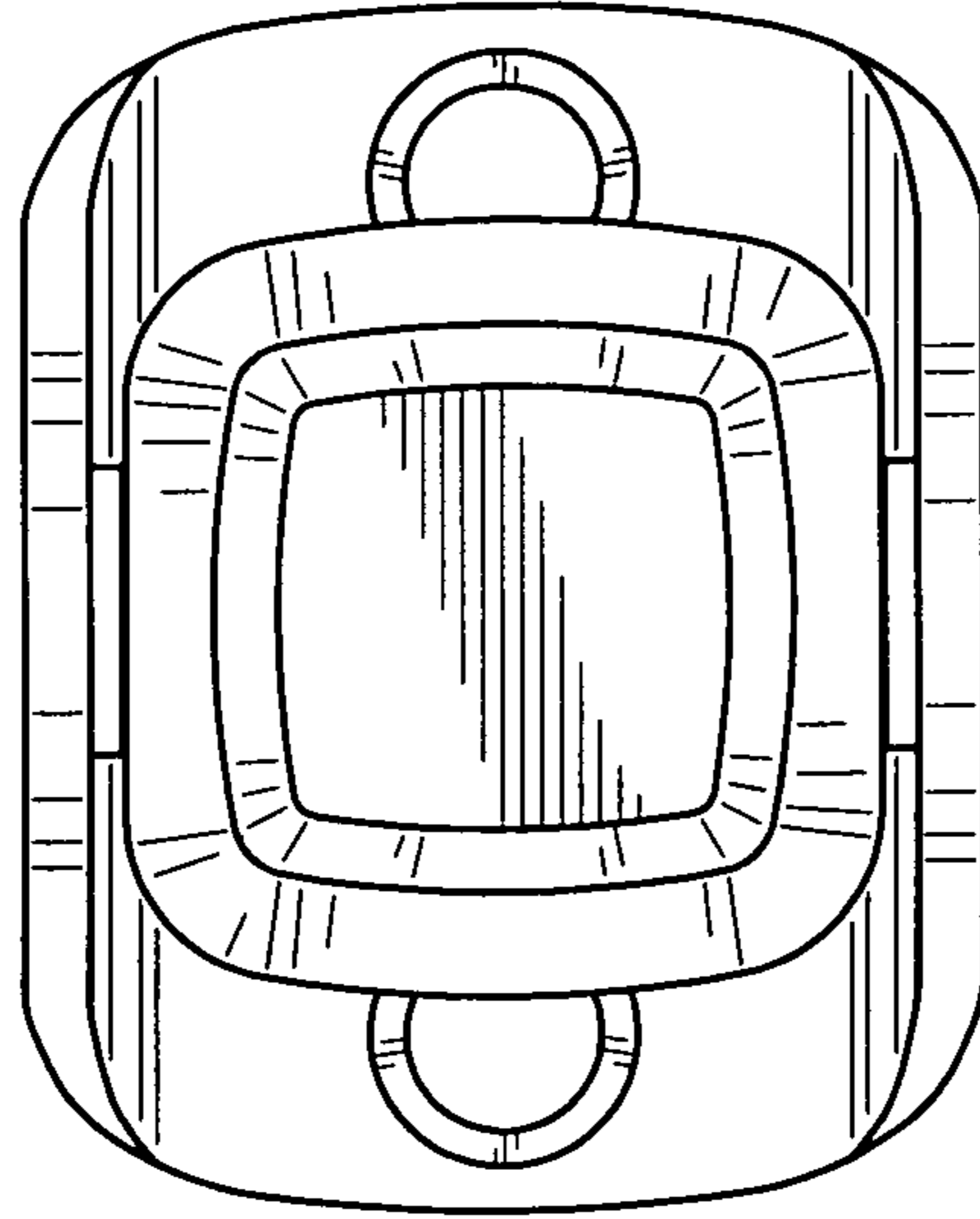


FIG. 2

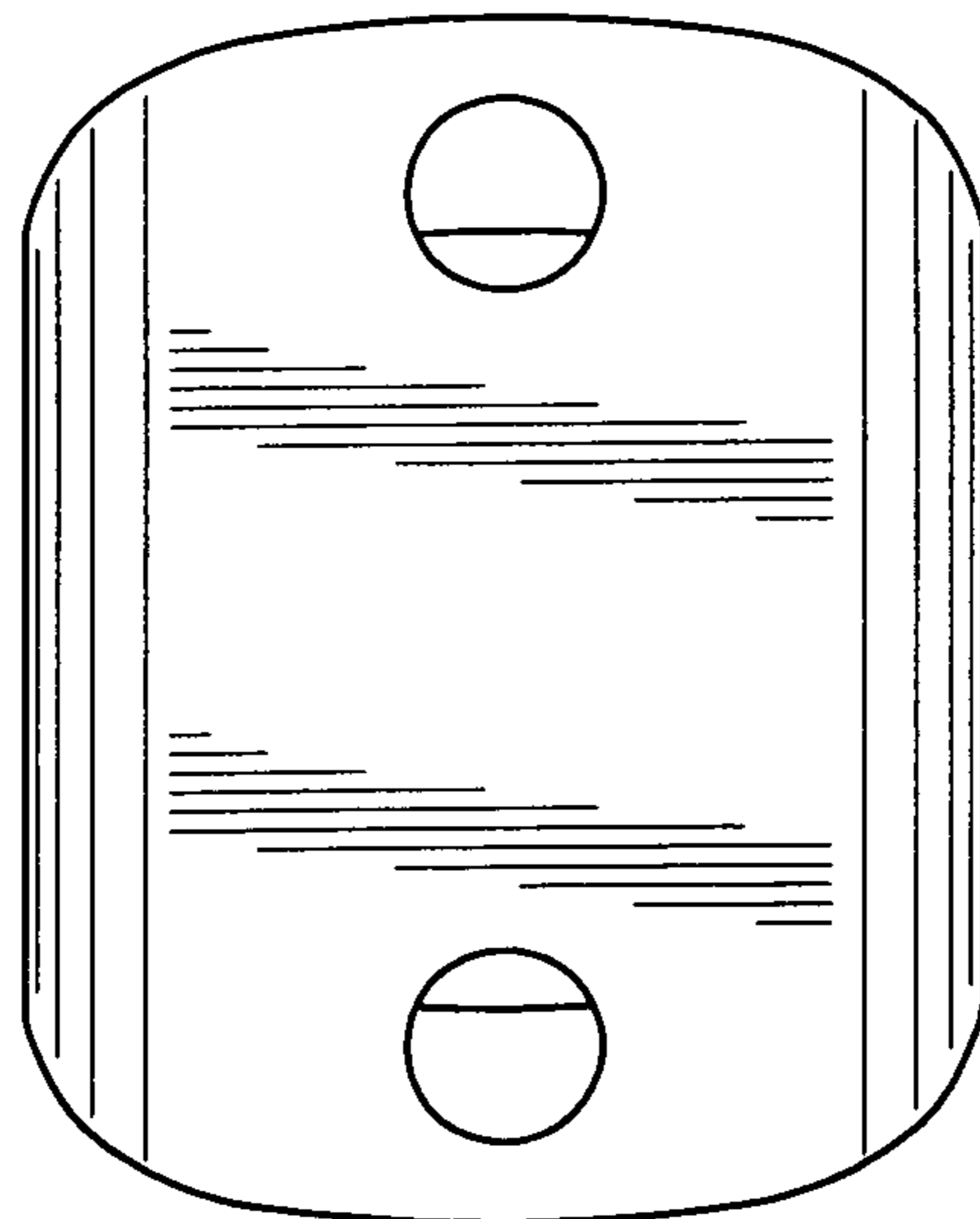


FIG. 3

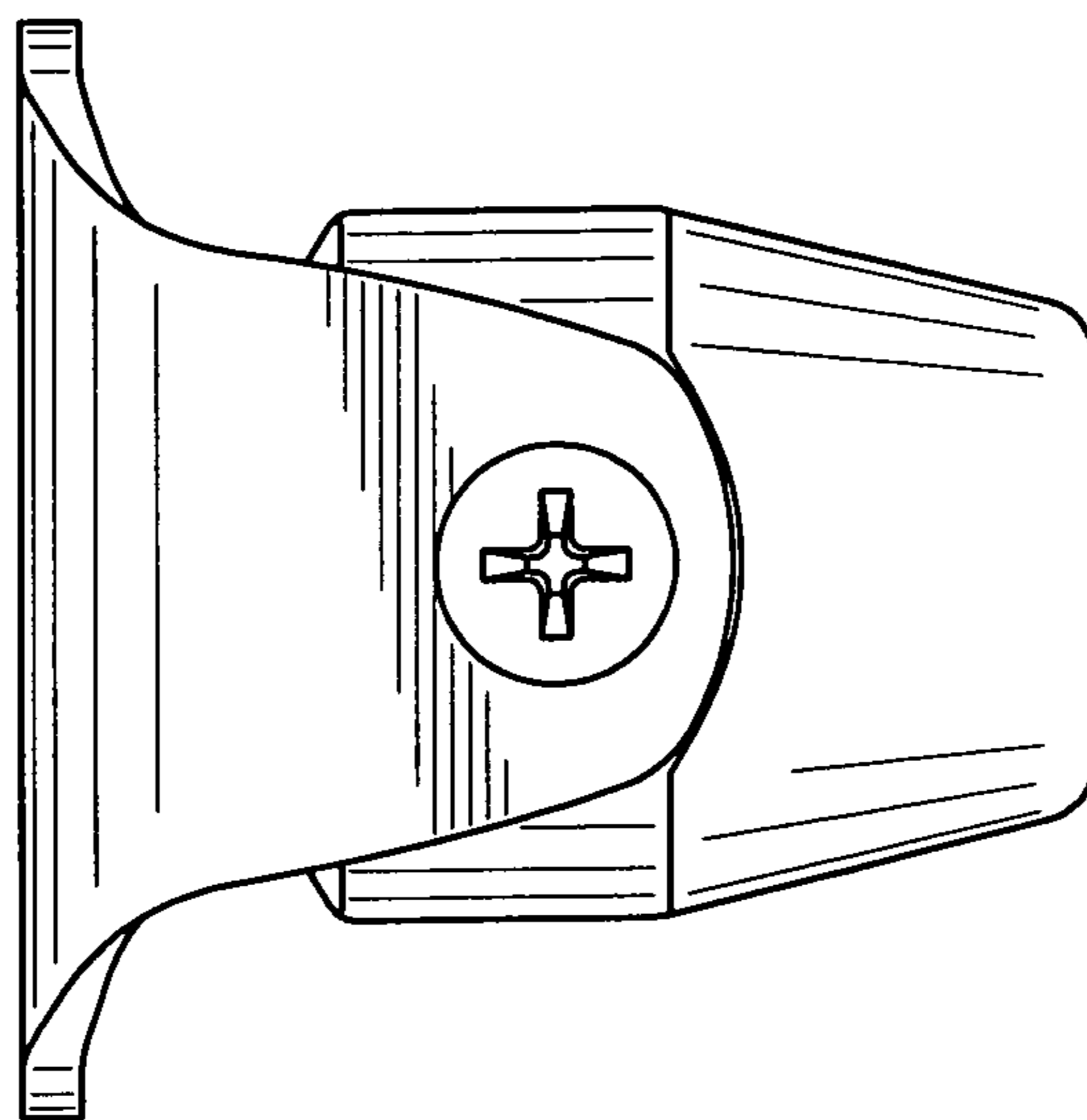


FIG. 4

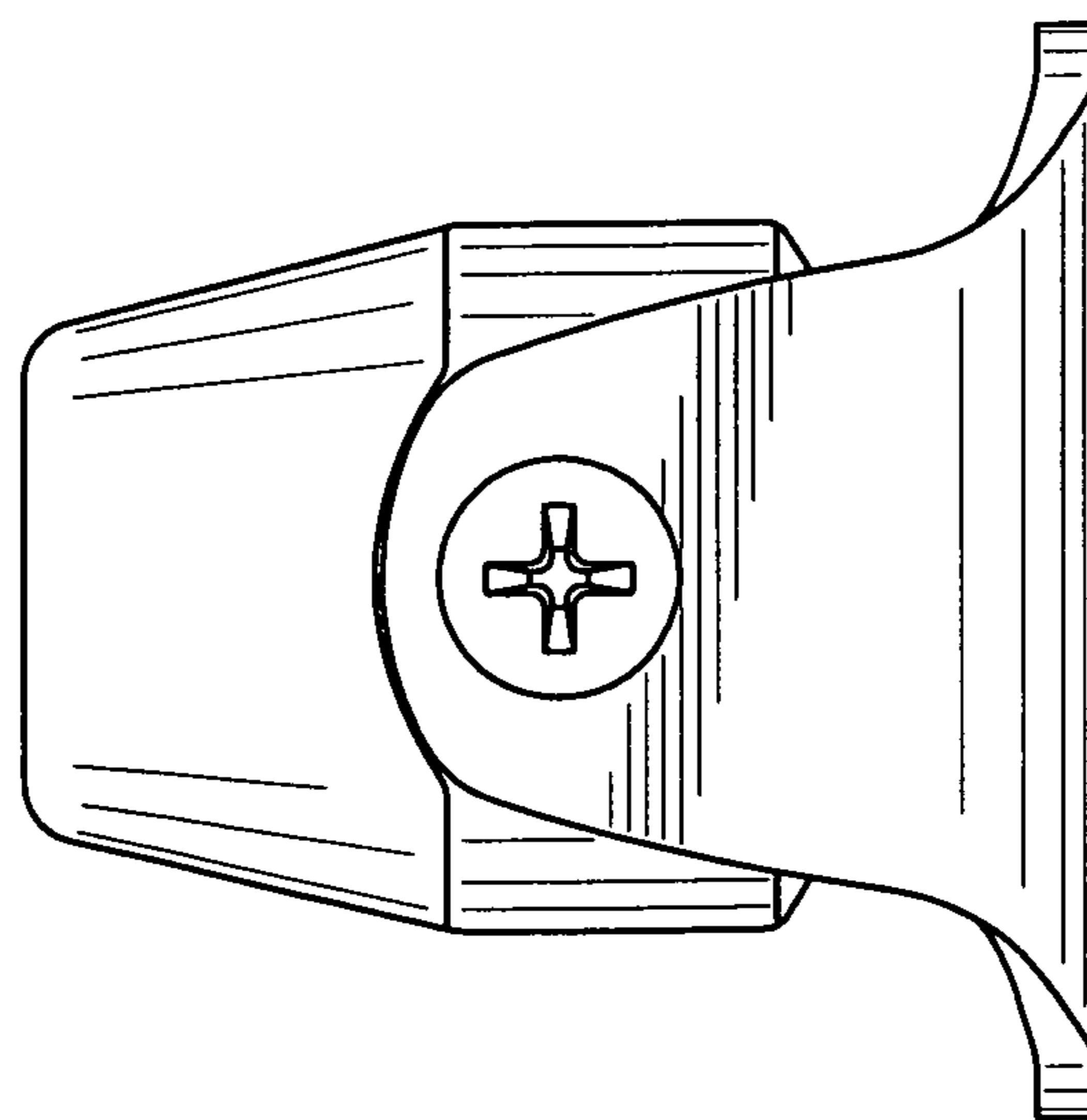


FIG. 5

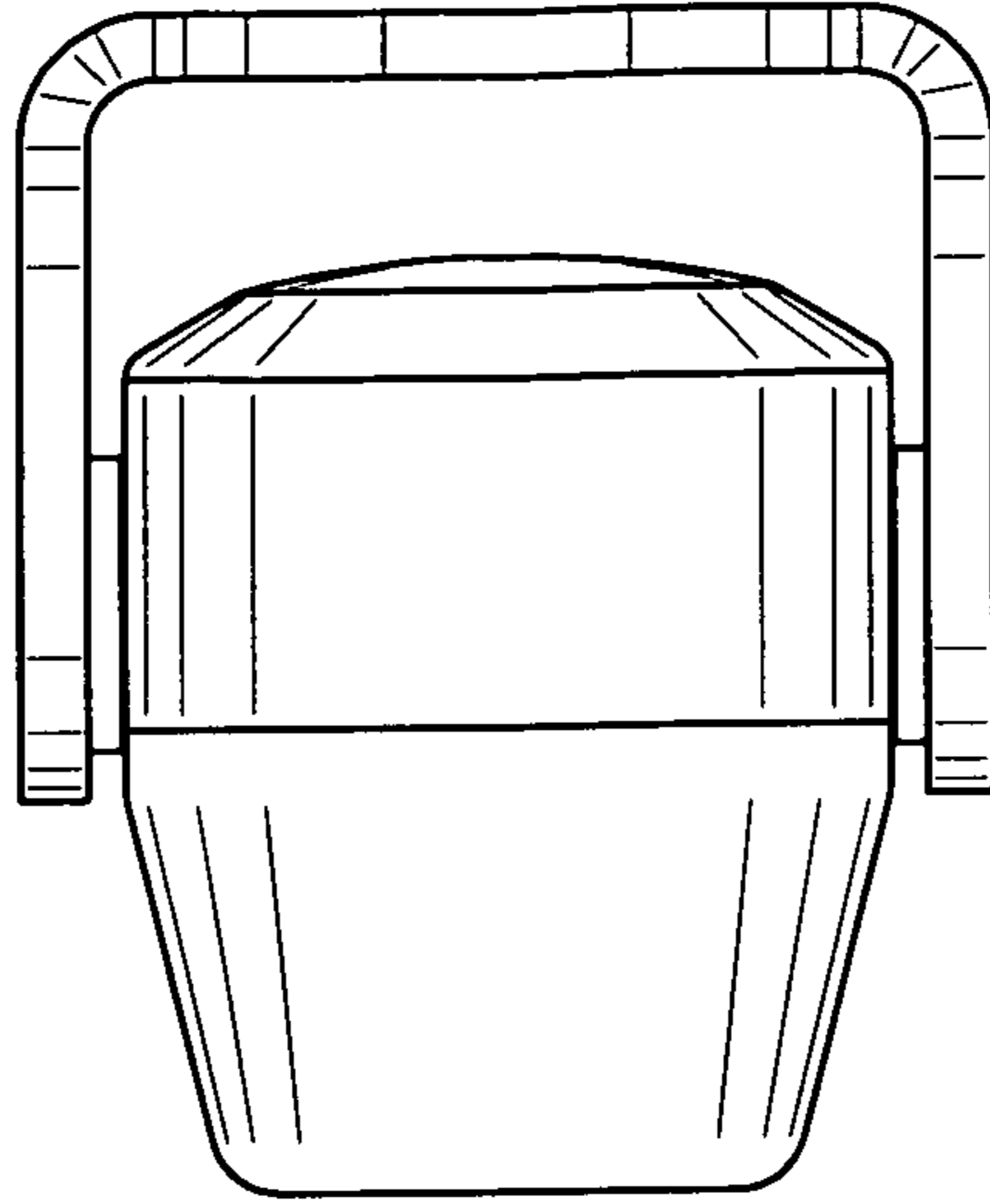


FIG. 6

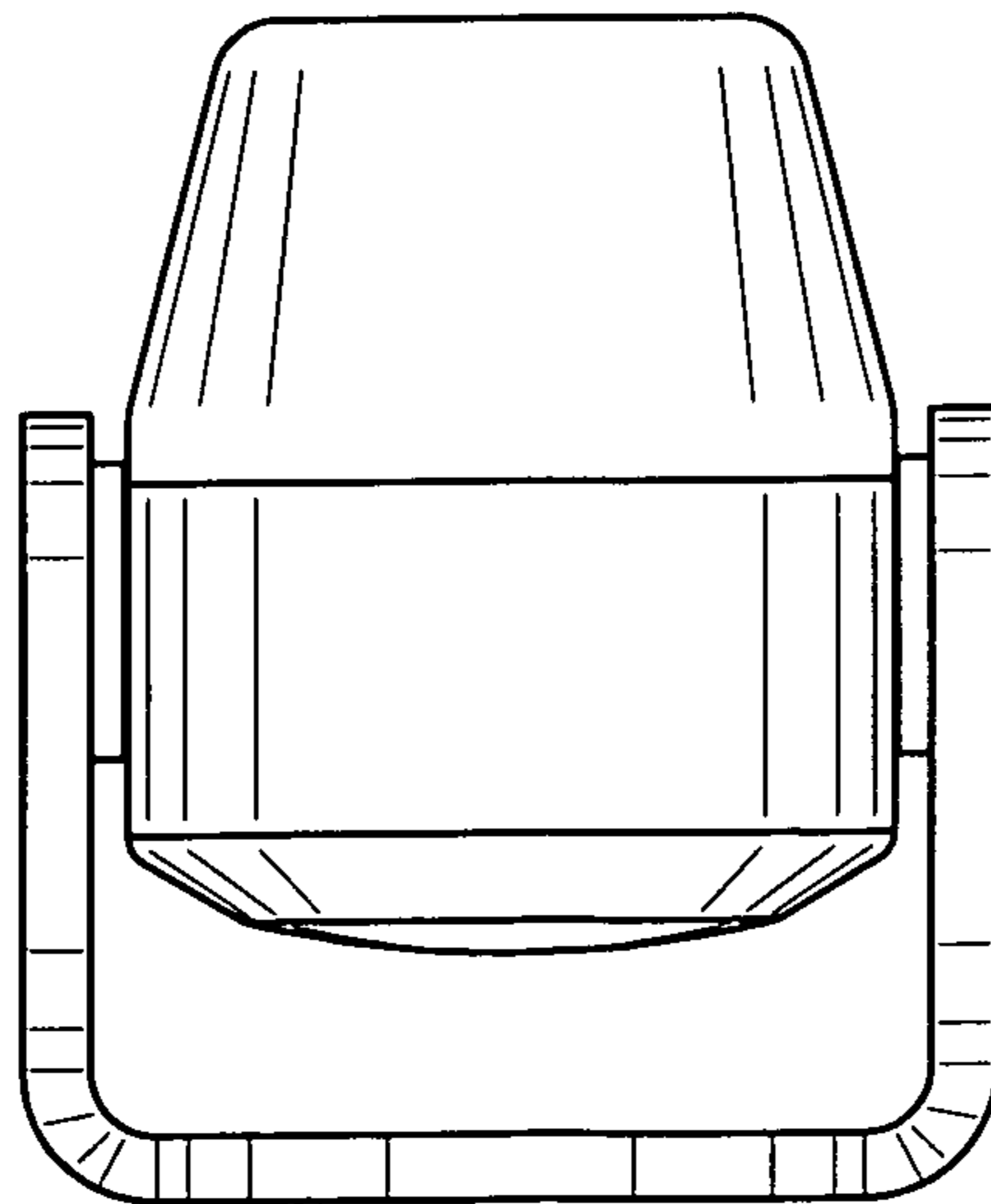


FIG. 7