



US00D681440S

(12) **United States Design Patent**
Yu

(10) **Patent No.:** **US D681,440 S**
(45) **Date of Patent:** **** May 7, 2013**

(54) **PIPE CLAMP**
(75) Inventor: **Vincent Yu**, Changhua County (TW)
(73) Assignee: **Bitspower International Co., Ltd.**,
Changhua (TW)
(**) Term: **14 Years**
(21) Appl. No.: **29/393,073**
(22) Filed: **May 31, 2011**
(51) **LOC (9) Cl.** **08-08**
(52) **U.S. Cl.**
USPC **D8/396**
(58) **Field of Classification Search** D8/354,
D8/356, 371, 394-396; D19/65, 86; D24/128;
248/74.2, 215, 227.1, 49, 300, 301, 316.7,
248/51, 489; 24/570, 3.12; D32/61; D11/78.1;
D12/119
See application file for complete search history.

6,176,640 B1 * 1/2001 Gonczi 403/375
D438,783 S * 3/2001 Elliott D8/396
D456,234 S * 4/2002 Keller D8/70
6,464,268 B1 * 10/2002 Hough et al. 285/367
6,557,878 B2 * 5/2003 Chen 280/226.1
6,896,438 B1 * 5/2005 Chen 403/290
D553,971 S * 10/2007 Krueger D8/396
D587,633 S * 3/2009 Parrett et al. D12/119
D636,661 S * 4/2011 Marmas D8/395
D672,225 S * 12/2012 Virnig D8/373
2002/0056795 A1 * 5/2002 Dal Pra' 248/230.5
2002/0158171 A1 * 10/2002 Karlinger 248/49
2005/0275254 A1 * 12/2005 Anderson et al. 297/195.1
2010/0127472 A1 * 5/2010 Winefordner et al. 280/276
2010/0254756 A1 * 10/2010 Chiang 403/373
2011/0254246 A1 * 10/2011 Pryde 280/287
2012/0131966 A1 * 5/2012 Yuan 70/233

* cited by examiner

Primary Examiner — John Windmuller

(57) **CLAIM**
The ornamental design for a pipe clamp, as shown and described.

(56) **References Cited**

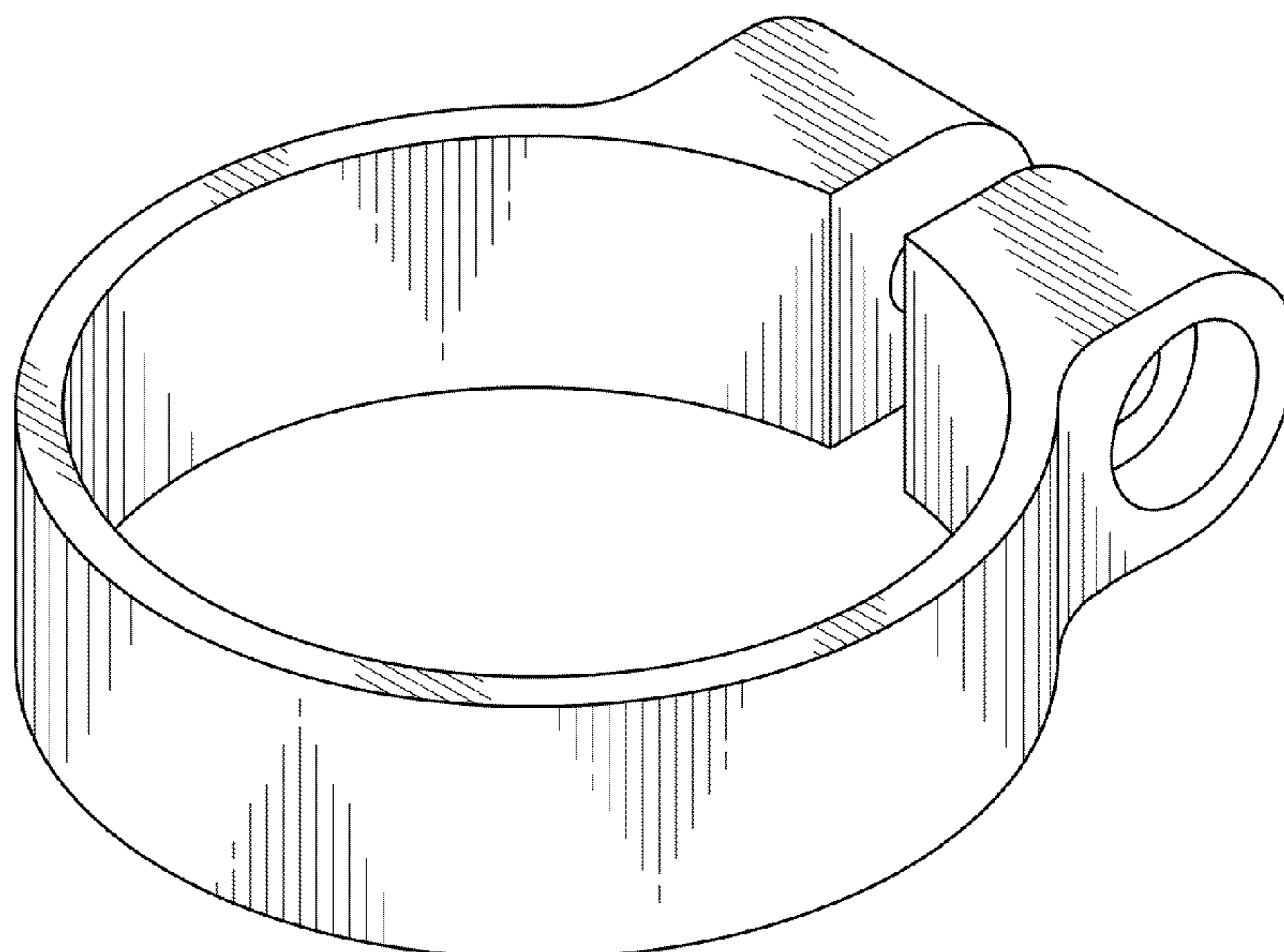
U.S. PATENT DOCUMENTS

582,646 A * 5/1897 Horn 285/298
1,598,385 A * 8/1926 Ogden 248/62
1,669,934 A * 5/1928 Goldwyn 24/1
3,273,837 A * 9/1966 Willert et al. 248/59
D236,798 S * 9/1975 Hall D8/394
D283,486 S * 4/1986 Fogel et al. D8/396
4,784,363 A * 11/1988 Brown et al. 248/610
5,056,196 A * 10/1991 van Walraven 24/279
5,230,537 A * 7/1993 Newman 285/112
D376,974 S * 12/1996 Chen D8/396
D378,659 S * 4/1997 Blennov D8/396
D396,801 S * 8/1998 Petty D8/356
D411,440 S * 6/1999 Stahel D8/396
D422,204 S * 4/2000 Holloway et al. D8/396

DESCRIPTION

FIG. 1 is a perspective view of a pipe clamp showing my new design;
FIG. 2 is a front elevational view thereof;
FIG. 3 is a rear elevational view thereof;
FIG. 4 is a left side view thereof;
FIG. 5 is a right side view thereof;
FIG. 6 is a top plan view thereof;
FIG. 7 is a bottom plan view thereof; and,
FIG. 8 is a perspective view showing the pipe clamp in a position of use, wherein a screw is screwed into the pipe clamp.

1 Claim, 6 Drawing Sheets



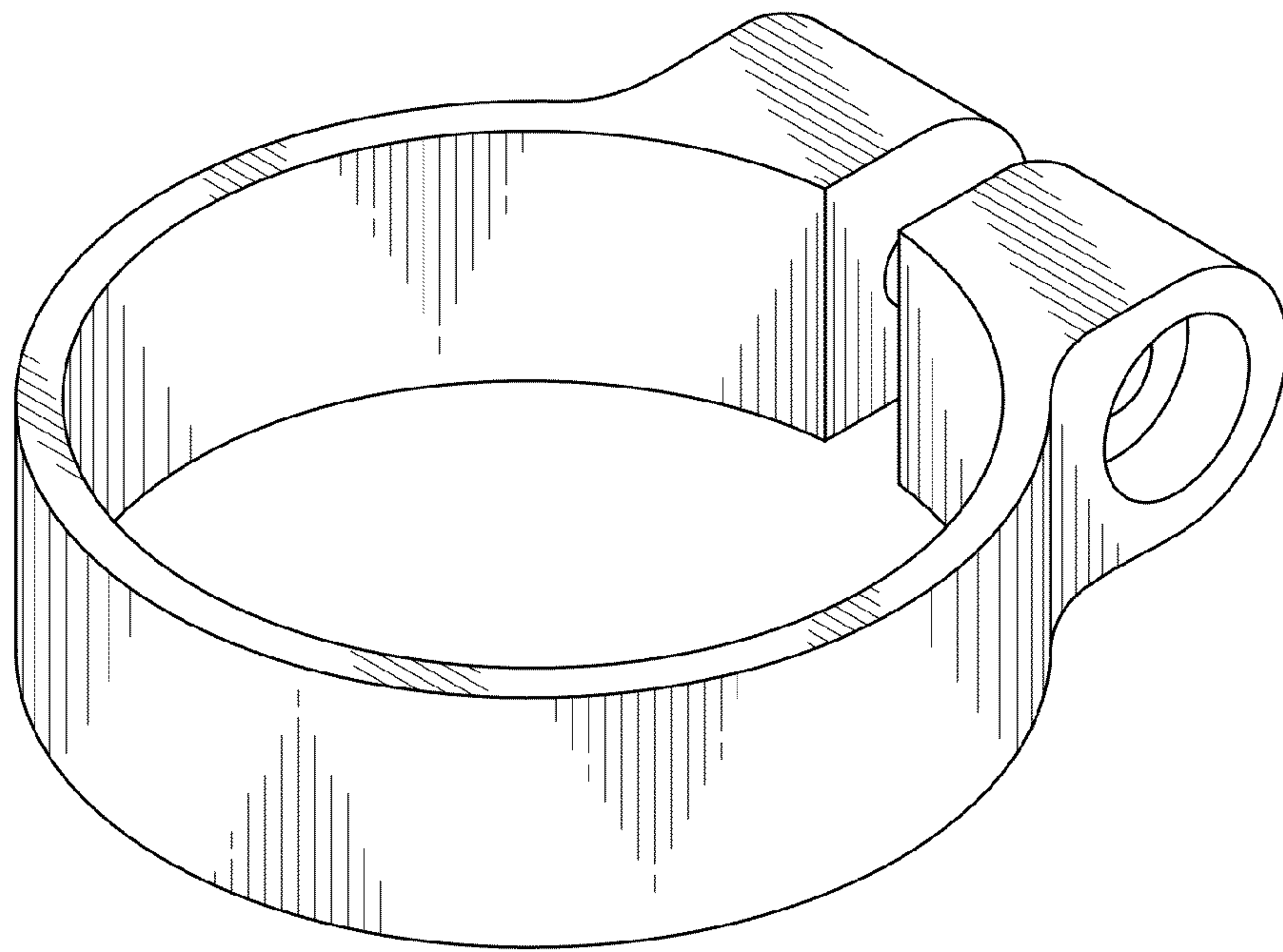


FIG. 1

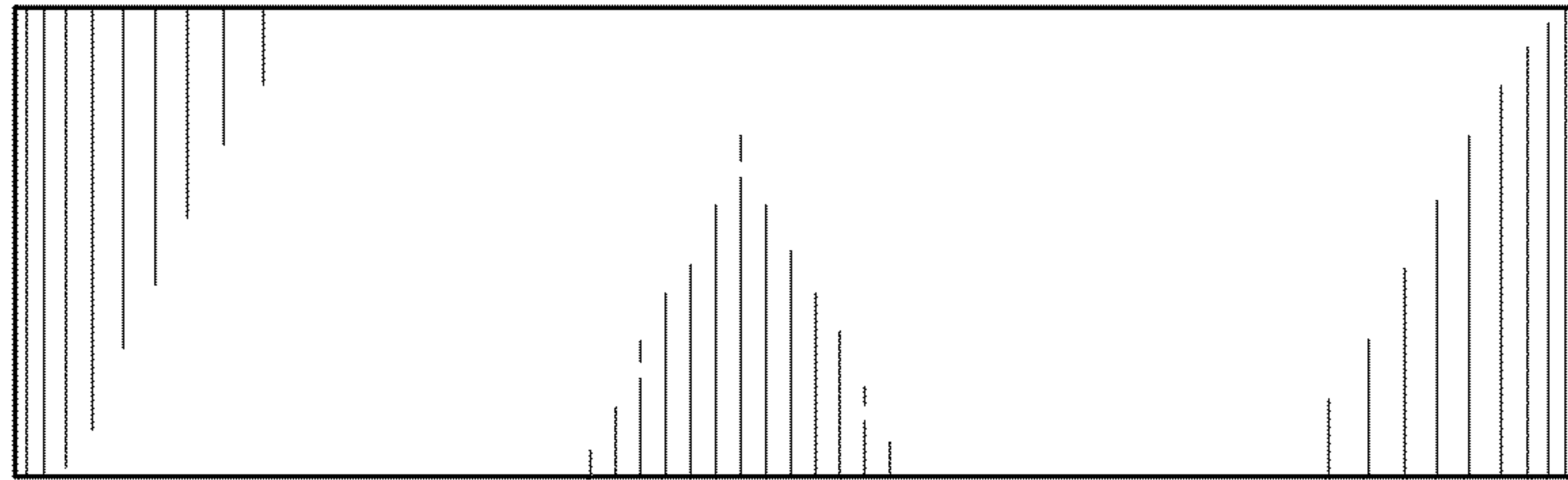


FIG. 2

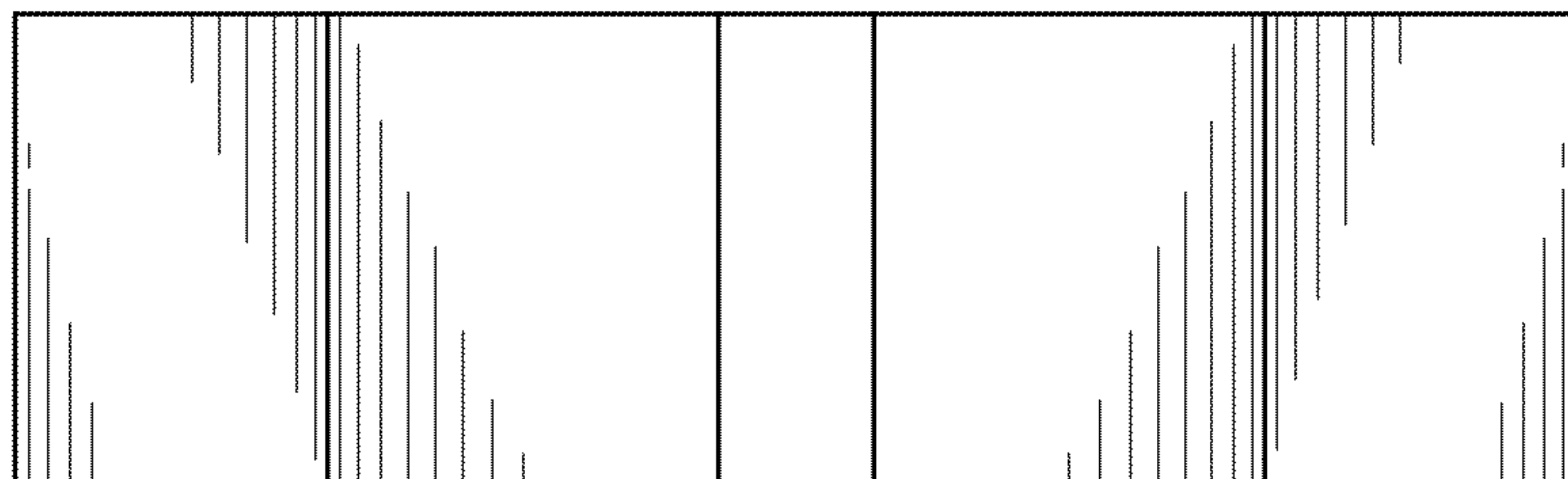


FIG. 3

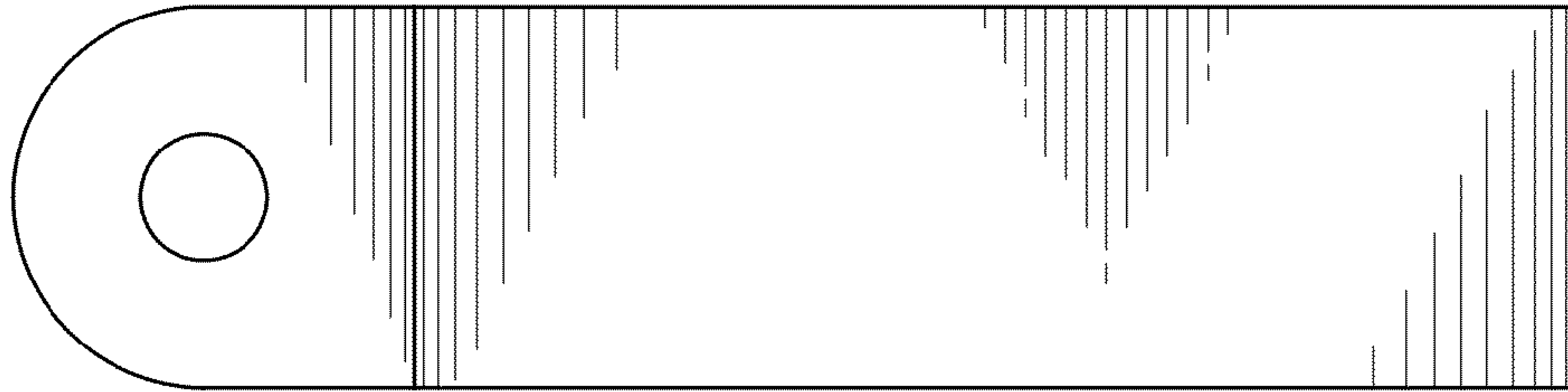


FIG. 4

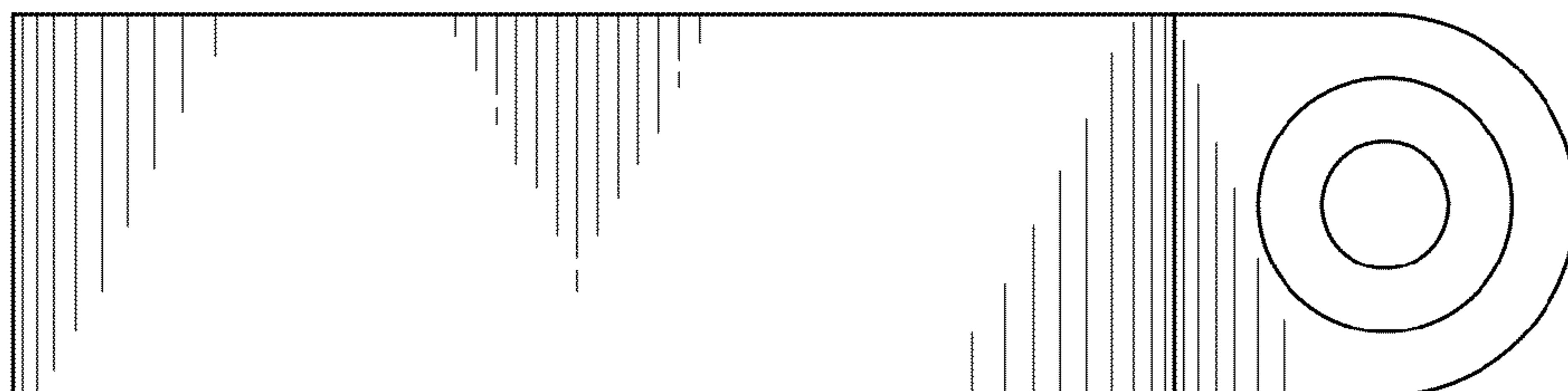


FIG. 5

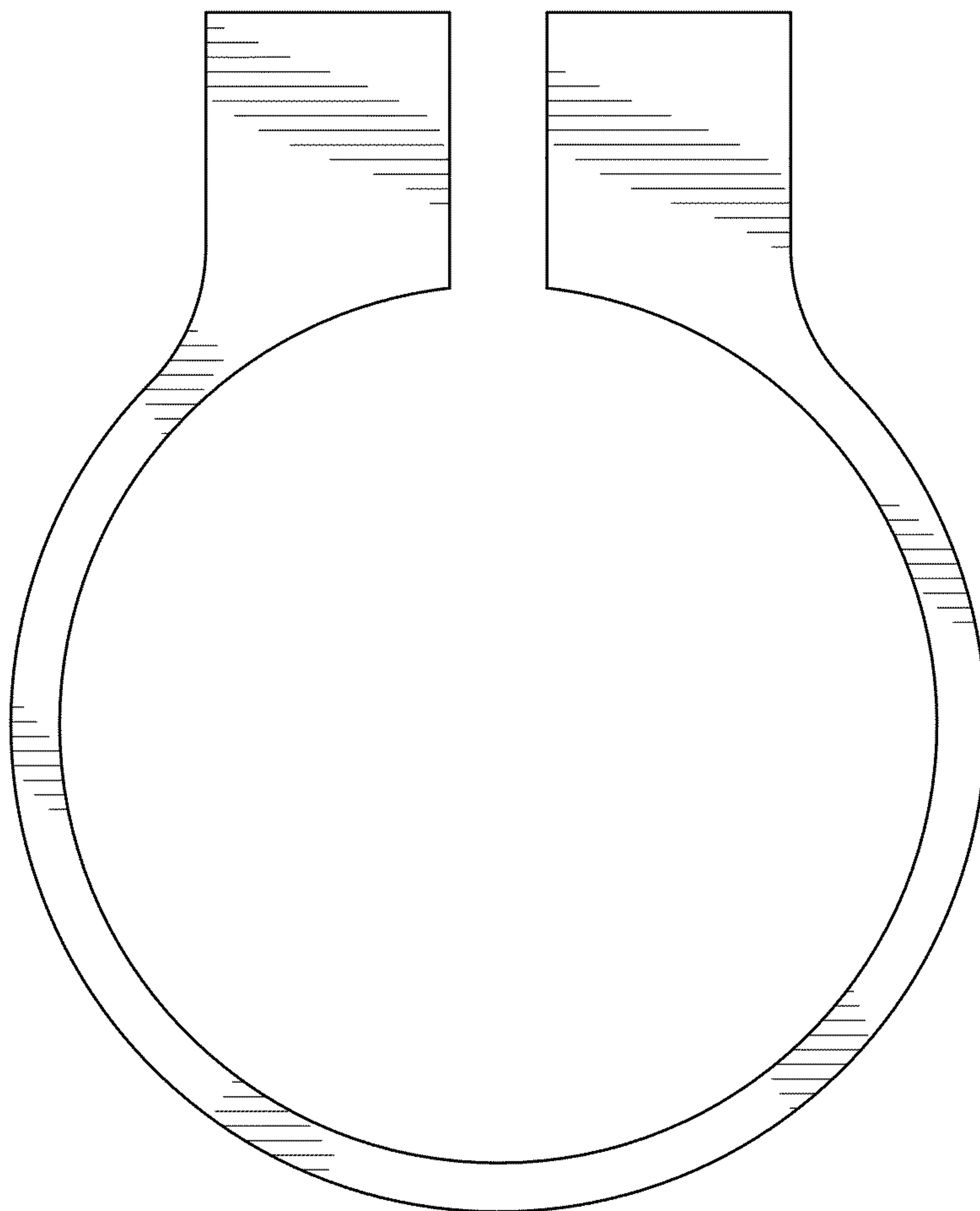


FIG. 6

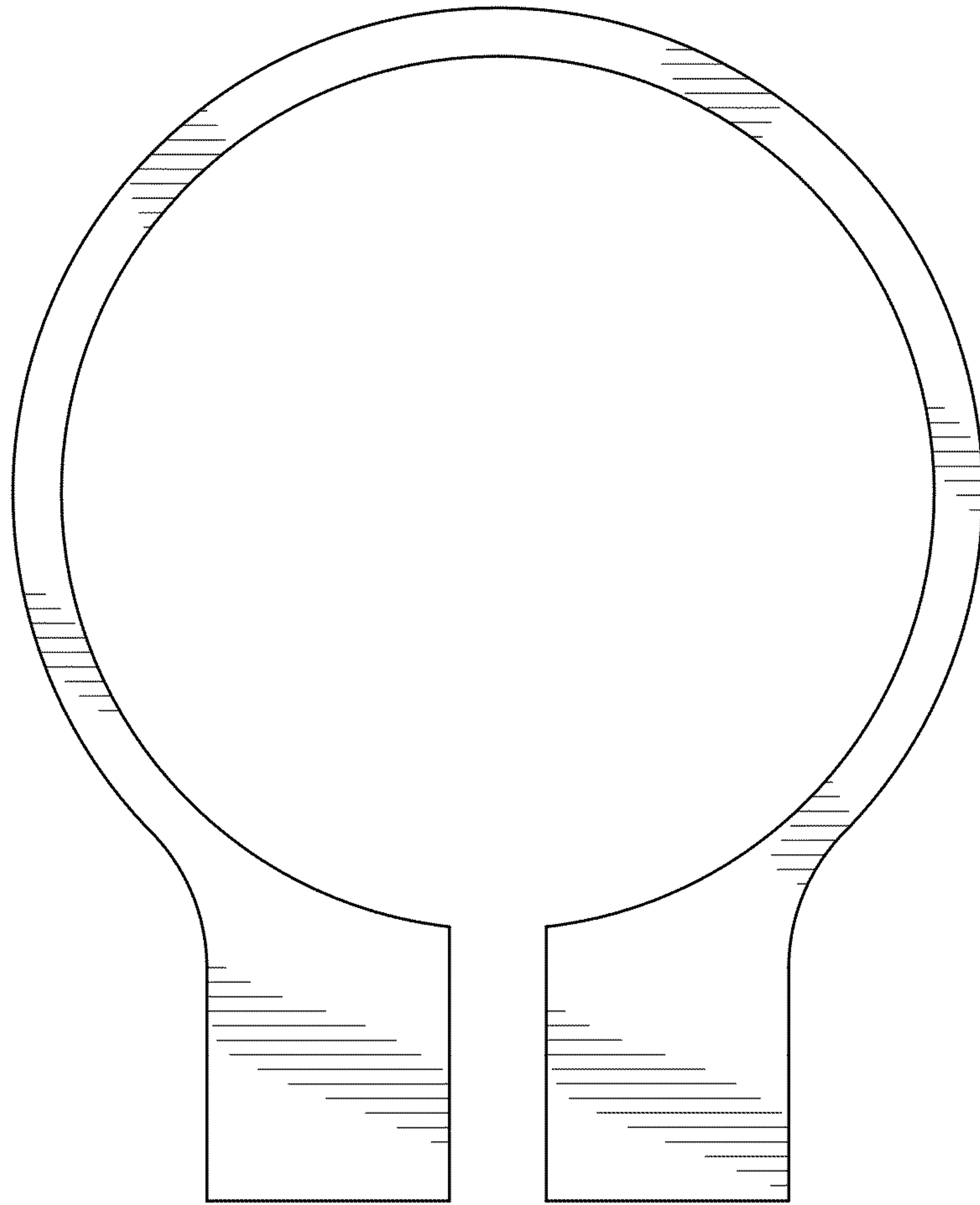


FIG. 7

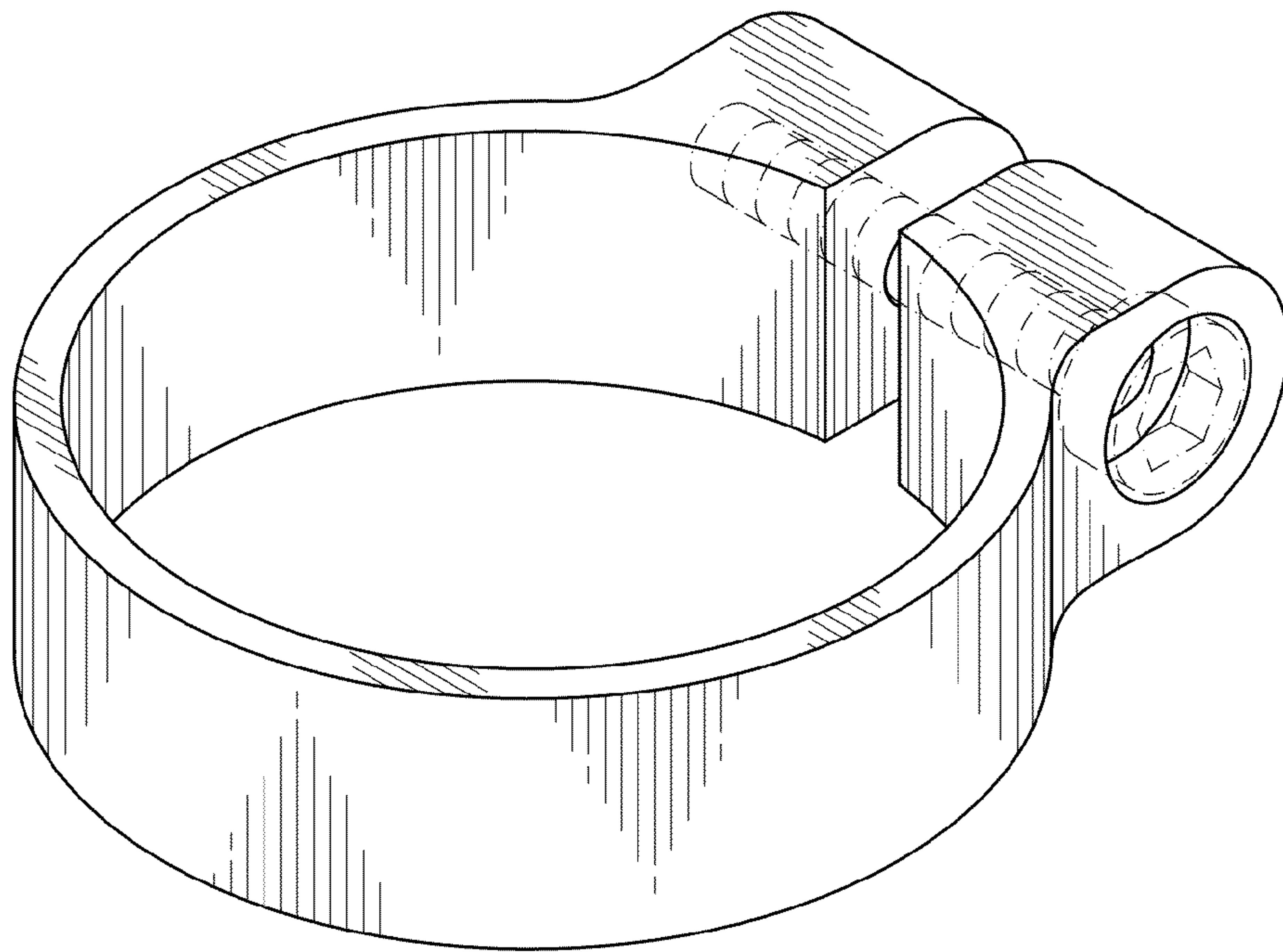


FIG. 8