



US00D681438S

(12) **United States Design Patent**
Chen

(10) **Patent No.:** **US D681,438 S**

(45) **Date of Patent:** **** May 7, 2013**

(54) **PIVOTABLE RAIL CLAMP**

(75) Inventor: **Qiming Chen**, Fujian (CN)

(73) Assignee: **Clenergy (Xiamen) Technology Co., Ltd.**, Fujian (CN)

(**) Term: **14 Years**

(21) Appl. No.: **29/419,580**

(22) Filed: **Apr. 30, 2012**

(51) **LOC (9) Cl.** **08-08**

(52) **U.S. Cl.**
USPC **D8/394**

(58) **Field of Classification Search** D8/394-396,
D8/72; D19/56, 65; D32/60-64; D28/40;
24/67.3; 269/6, 147, 149; D25/119, 121,
D25/122

See application file for complete search history.

(56) **References Cited**

U.S. PATENT DOCUMENTS

D140,862 S *	4/1945	Conlan	D13/161
D251,506 S *	4/1979	Cowdroy	D25/125
D289,972 S *	5/1987	Fogelman	D8/371
D318,409 S *	7/1991	Garrett	D8/72
D356,775 S *	3/1995	Christensen	D12/412
D391,150 S *	2/1998	Anderson	D8/394
D402,062 S *	12/1998	Leonelli	D25/125
D425,215 S *	5/2000	Ginzler	D25/119
6,286,797 B1 *	9/2001	Thaxton	248/229.14

D483,650 S *	12/2003	Squillante et al.	D8/349
D505,211 S *	5/2005	Stanchfield	D25/119
D507,173 S *	7/2005	Cairns	D8/376
D518,186 S *	3/2006	Zarb	D25/119
D531,017 S *	10/2006	Debevec et al.	D8/394
D536,103 S *	1/2007	Cole	D25/119
D543,447 S *	5/2007	Allsopp	D8/394
D544,105 S *	6/2007	Flehsig	D25/119
D603,781 S *	11/2009	Jimenez	D12/223
D615,847 S *	5/2010	Tezak et al.	D8/349
D623,767 S *	9/2010	Antonic	D25/119
D624,206 S *	9/2010	Antonic	D25/119
D658,977 S *	5/2012	Riddell et al.	D8/394

* cited by examiner

Primary Examiner — John Windmuller

(74) *Attorney, Agent, or Firm* — Holland & Hart LLP

(57) **CLAIM**

The ornamental design for a pivotable rail clamp, as shown and described.

DESCRIPTION

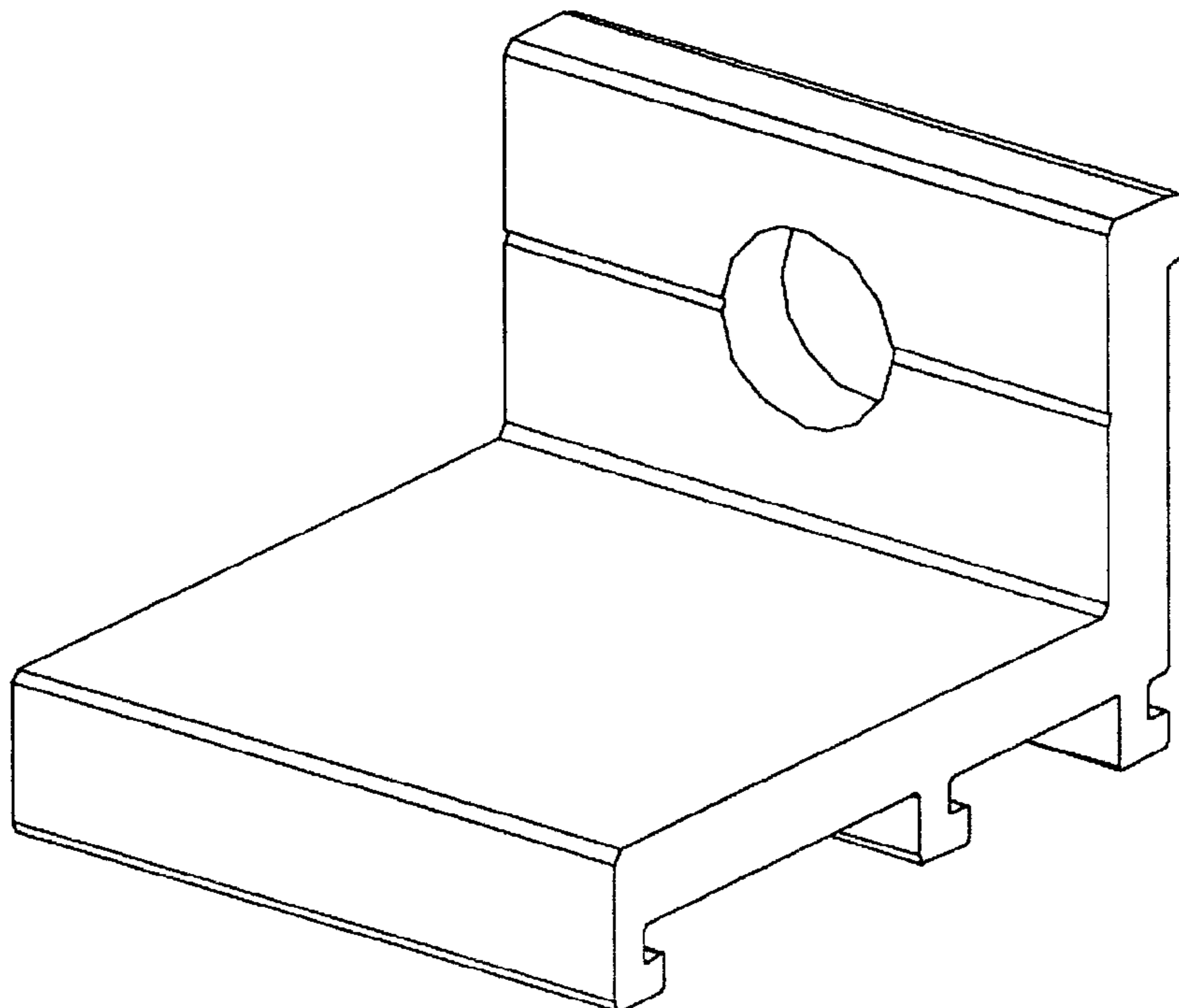
FIG. 1 is a top and front perspective view of the pivotable rail clamp, showing my new design;

FIG. 2 is a top plan view of the design illustrated in FIG. 1; FIG. 3 is a bottom plan view of the design illustrated in FIG. 1;

FIG. 4 is a front view of the design illustrated in FIG. 1;

FIG. 5 is a rear view of the design illustrated in FIG. 1; and, FIG. 6 is a right side view of the design illustrated in FIG. 1, the left side view being a mirror image thereof.

1 Claim, 6 Drawing Sheets



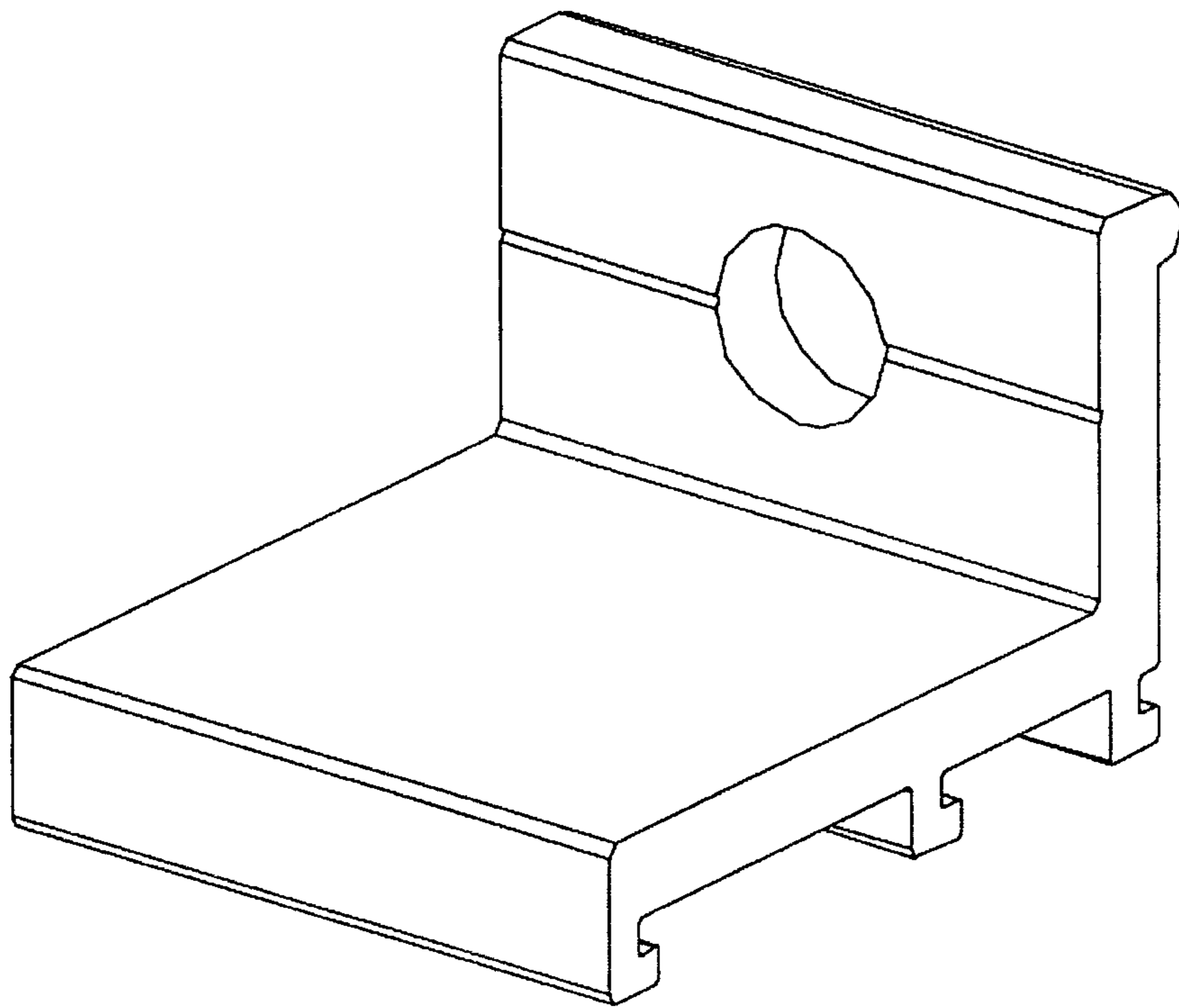


FIG. 1

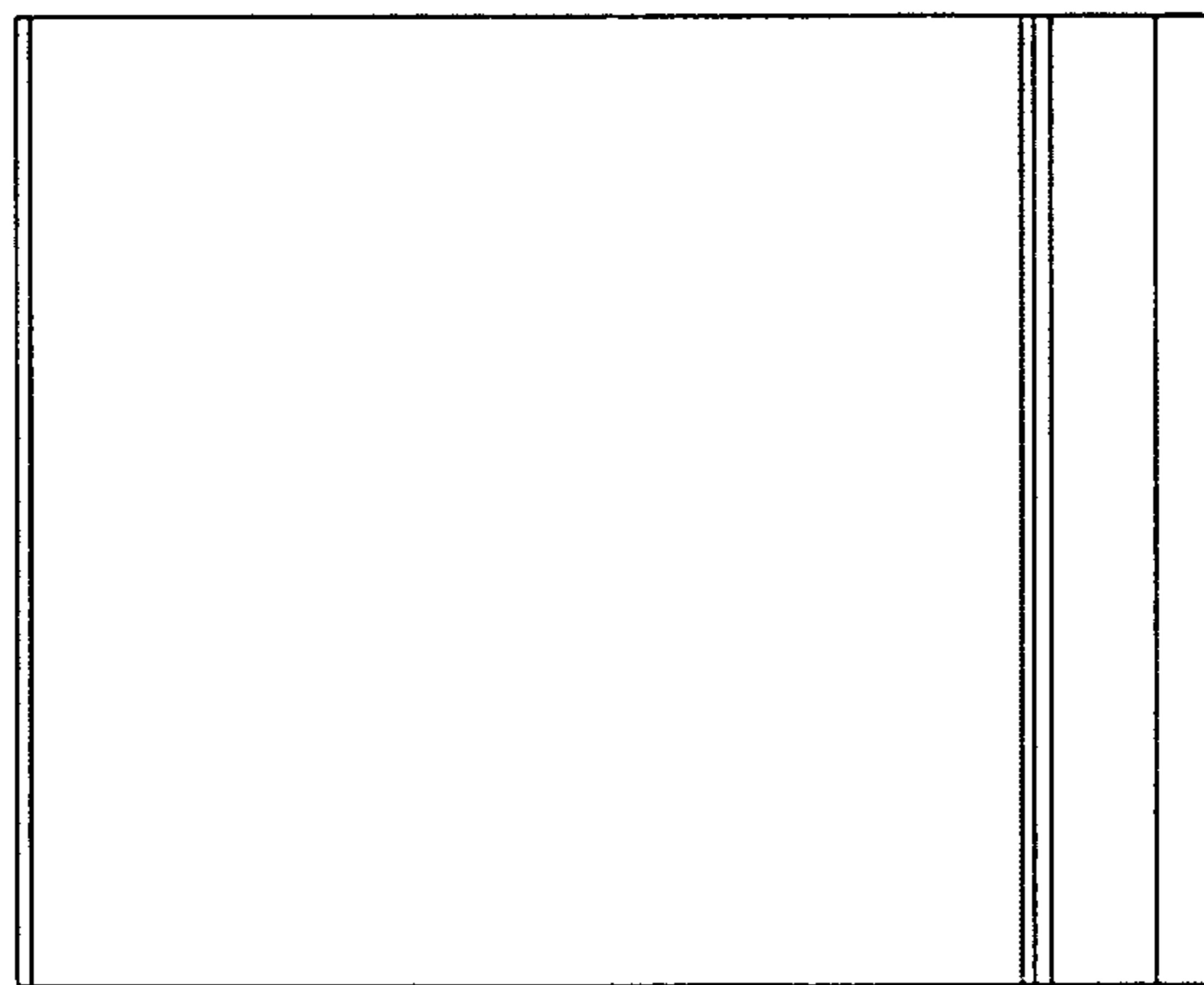


FIG. 2

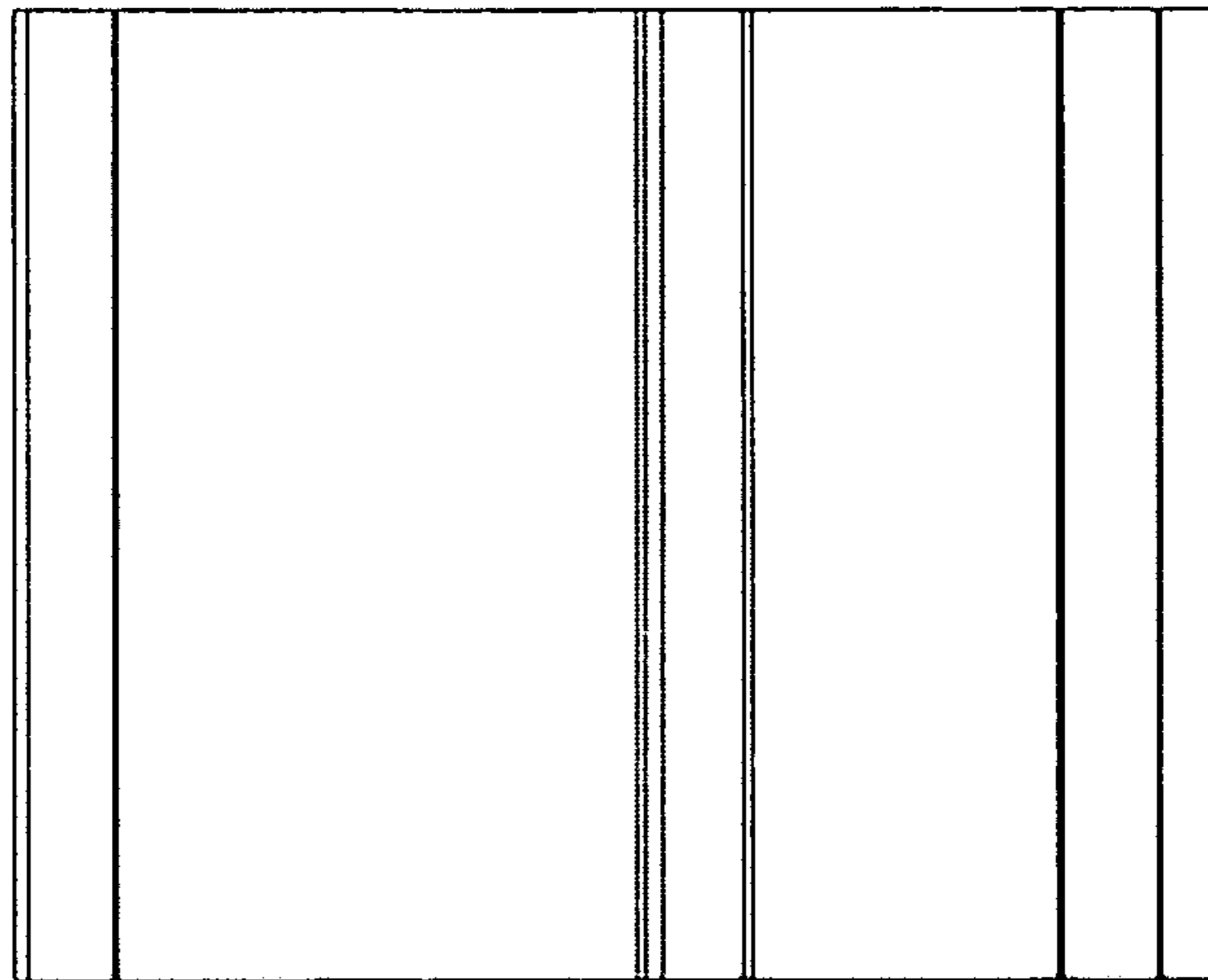


FIG. 3

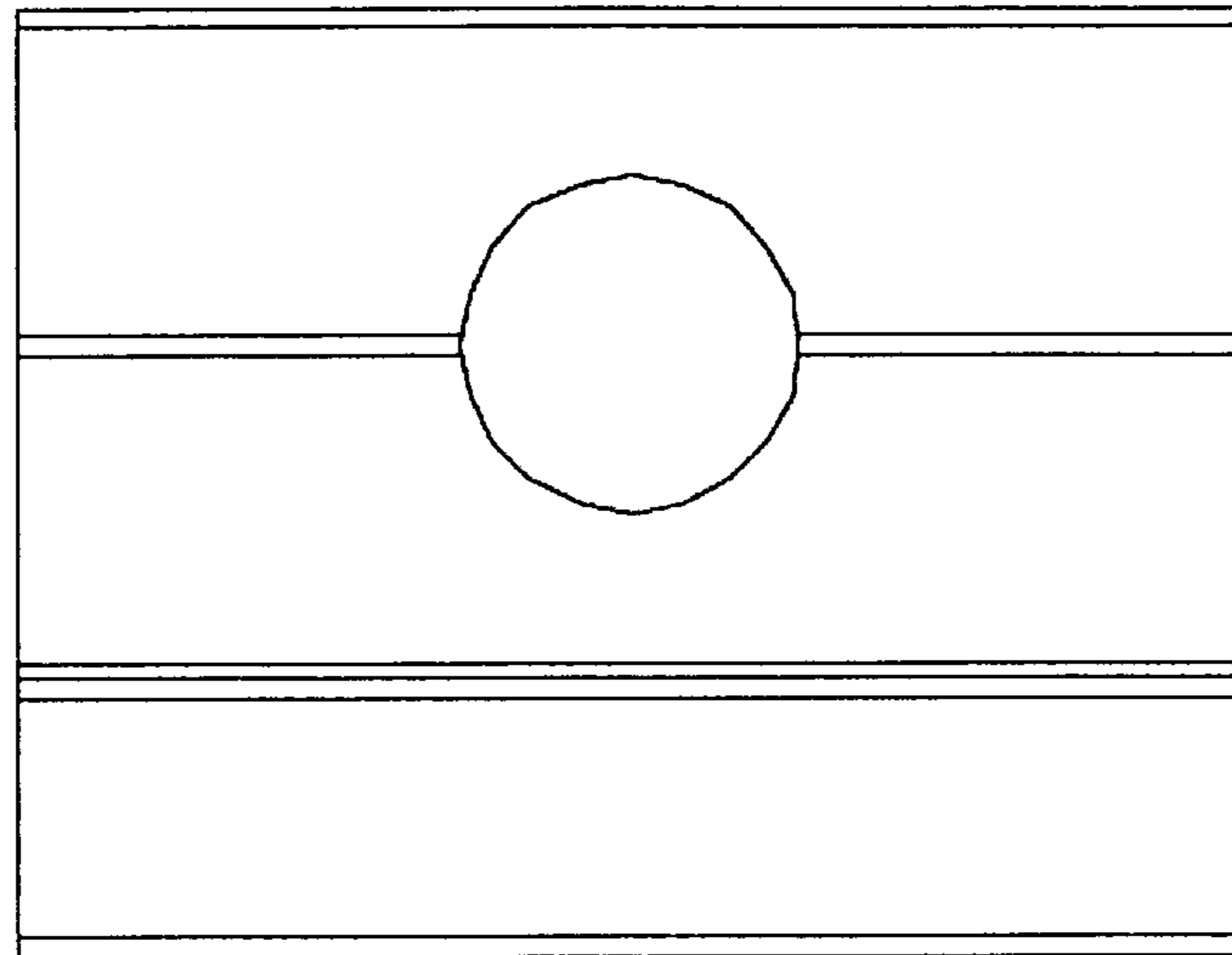


FIG. 4

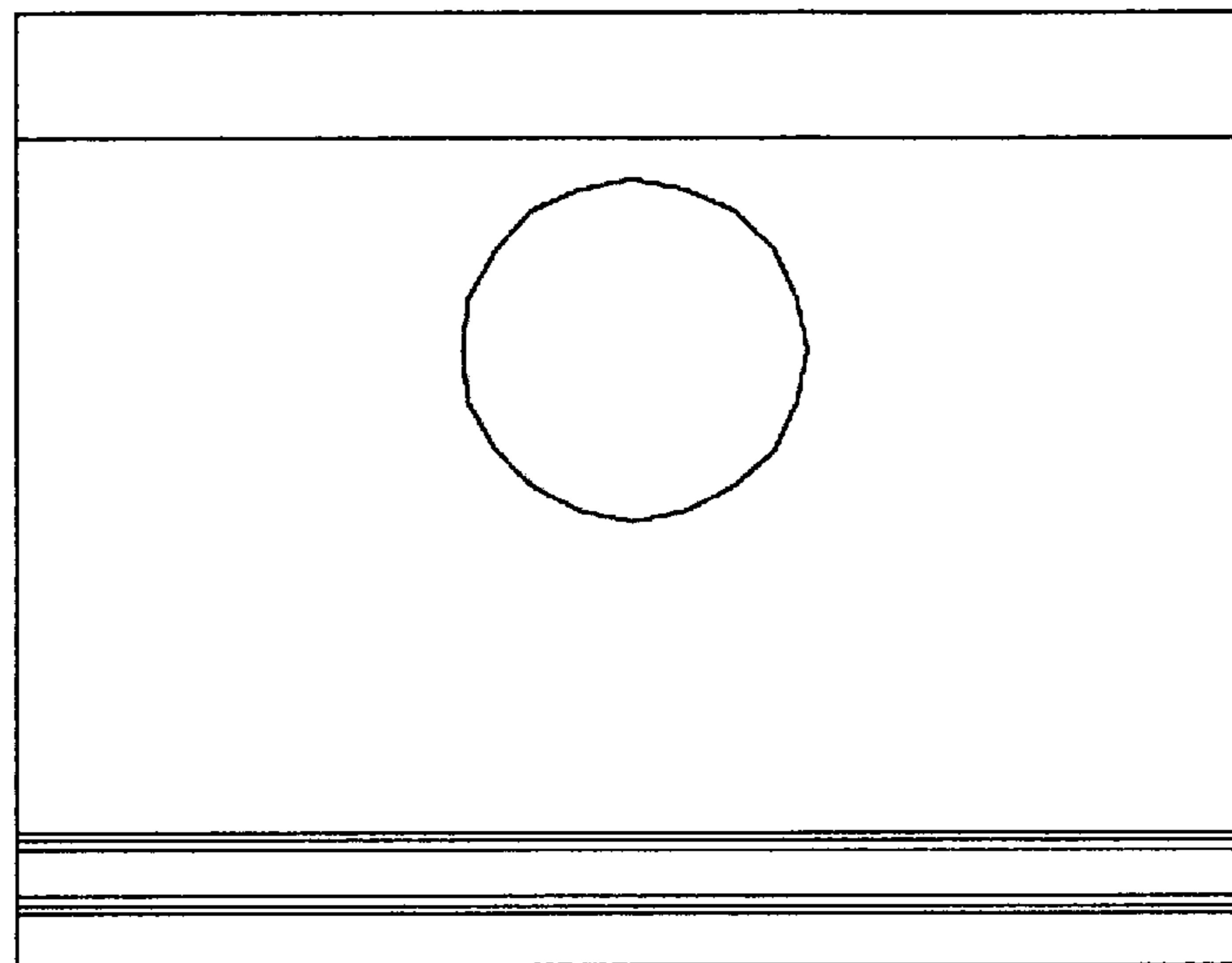


FIG. 5

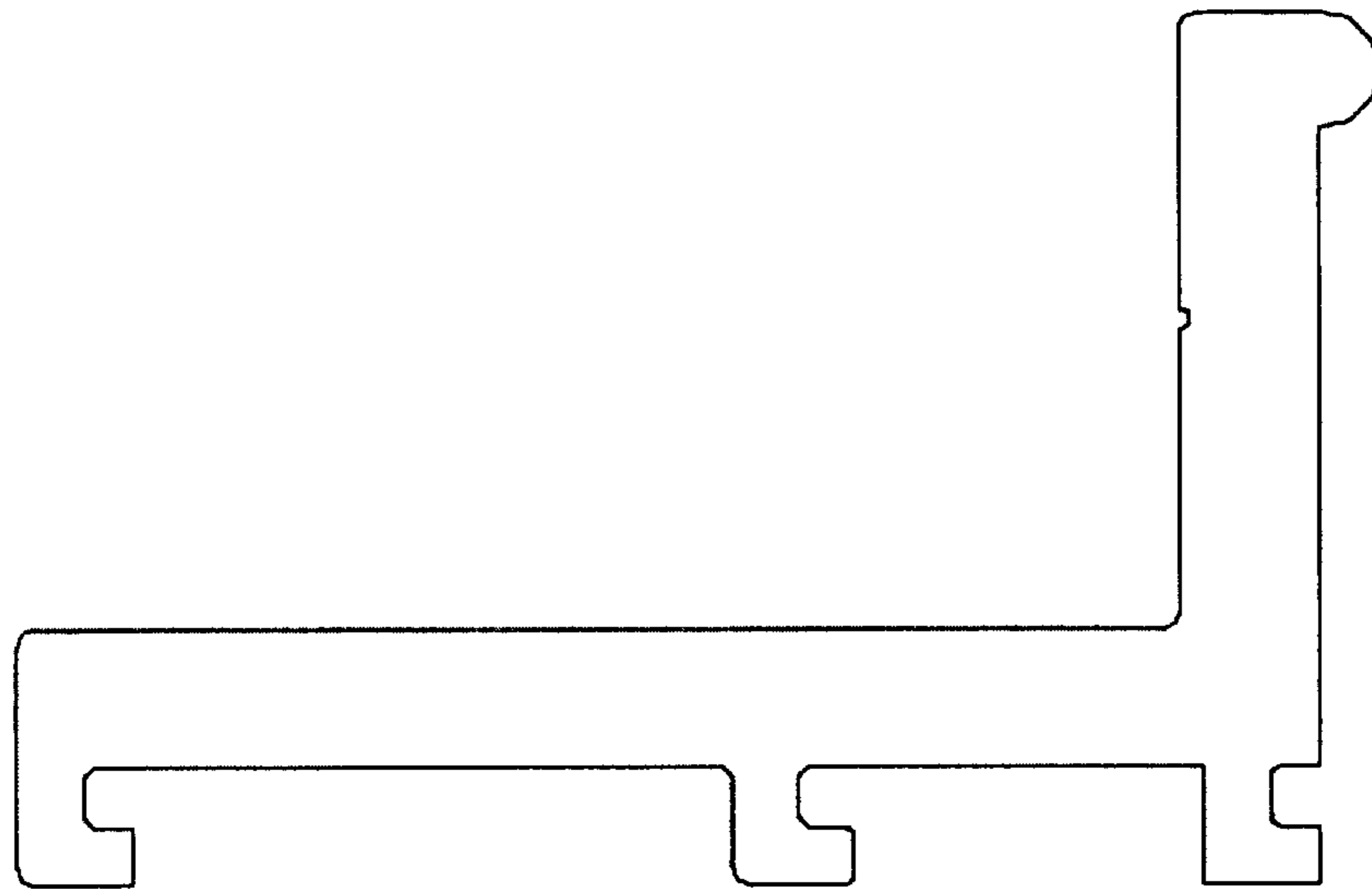


FIG. 6