



US00D681437S

(12) **United States Design Patent**  
**Wall et al.**

(10) **Patent No.:** **US D681,437 S**  
(45) **Date of Patent:** **\*\* May 7, 2013**

(54) **LED CLAMP**

(75) Inventors: **Franklin Joseph Wall**, Vacaville, CA (US); **William David Collins, III**, San Jose, CA (US); **Walter Daschner**, Half Moon Bay, CA (US); **Kathleen Anne Hartnett**, Palo Alto, CA (US); **Robert Andrew Zona**, Santa Clara, CA (US)

(73) Assignee: **Koninklijke Philips Electronics N.V.**, Eindhoven (NL)

(\*\*) Term: **14 Years**

(21) Appl. No.: **29/406,411**

(22) Filed: **Nov. 14, 2011**

(51) **LOC (9) Cl.** ..... **08-08**

(52) **U.S. Cl.**  
USPC ..... **D8/394**

(58) **Field of Classification Search** ..... D8/354,  
D8/366, 371, 380, 394; 24/22, 67 R, 20 S,  
24/115 R, 546, 563, 910, 343, 67.9; 248/72,  
248/74.2, 215, 227.1, 49, 300, 301, 316.7,  
248/51, 489

See application file for complete search history.

(56) **References Cited**

**U.S. PATENT DOCUMENTS**

1,949,114	A *	2/1934	Darrach	384/626
3,216,584	A *	11/1965	Sedo	248/220.41
D298,355	S *	11/1988	Young	D24/128
5,305,571	A *	4/1994	Trevino	52/653.2
D358,545	S *	5/1995	Price	D8/356
5,484,076	A *	1/1996	Petrushka	220/3.9

5,549,408	A *	8/1996	Lo	403/218
6,519,903	B1 *	2/2003	Dirisamer et al.	52/235
D504,523	S *	4/2005	Gimpel et al.	D25/61
6,879,854	B2 *	4/2005	Windheuser et al.	600/434
7,127,777	B2 *	10/2006	Chiang	16/252
7,150,439	B2 *	12/2006	Konold	248/74.1
D559,657	S *	1/2008	Wohlford et al.	D8/354
7,361,833	B2 *	4/2008	Dinh	174/58
D571,644	S *	6/2008	Ilang	D8/382
7,670,316	B2 *	3/2010	Windheuser et al.	604/165.01
D628,057	S *	11/2010	Benne et al.	D8/394
D638,696	S *	5/2011	Kubota	D8/394
D659,589	S *	5/2012	Dunn	D11/184
D665,242	S *	8/2012	Wackwitz	D8/70
2010/0127148	A1 *	5/2010	Woidtke et al.	248/636
2011/0210227	A1 *	9/2011	Burg et al.	248/499

\* cited by examiner

*Primary Examiner* — John Windmuller

(57) **CLAIM**

The ornamental design for an LED clamp, as shown and described.

**DESCRIPTION**

Fig. 1 is a perspective view of an LED clamp showing our new design;

FIG. 2 is a front elevational view thereof;

FIG. 3 is a rear elevational view thereof;

FIG. 4 is a right side elevational view thereof;

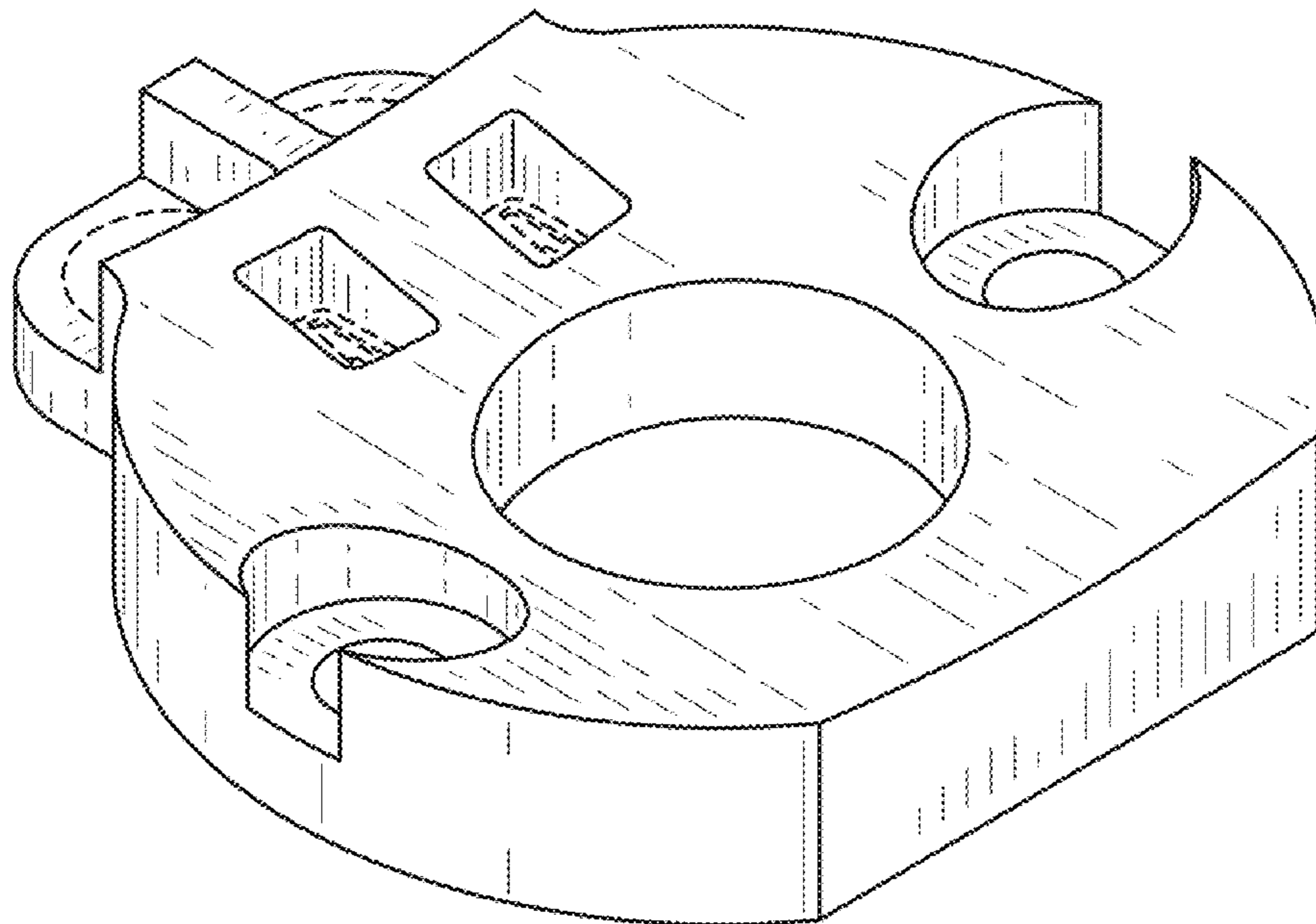
FIG. 5 is a left side elevational view thereof;

FIG. 6 is a top plan view thereof; and,

FIG. 7 is a bottom plan view thereof.

The portions of the LED clamp shown in broken lines form no part of the claimed design.

**1 Claim, 3 Drawing Sheets**



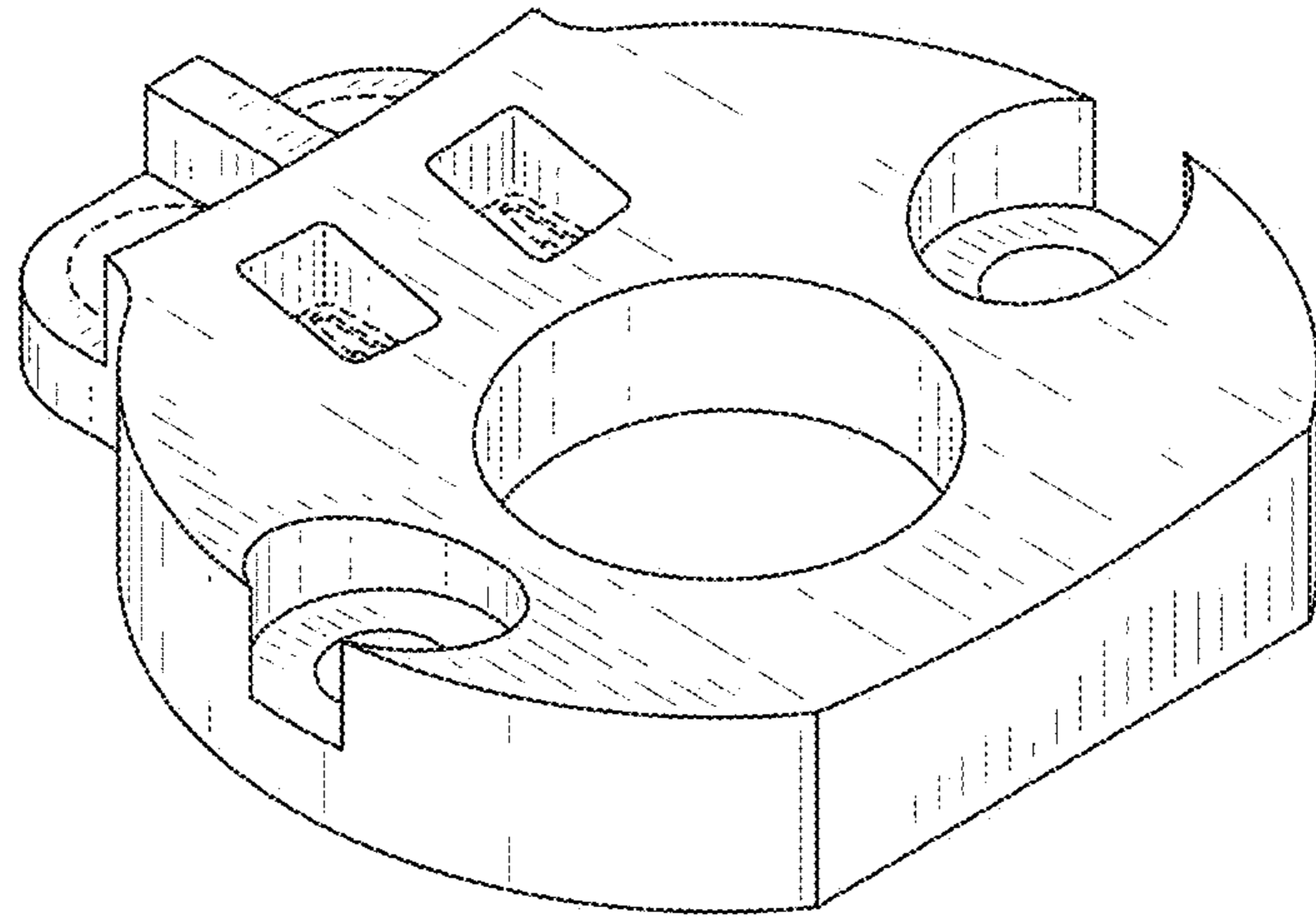


FIG. 1

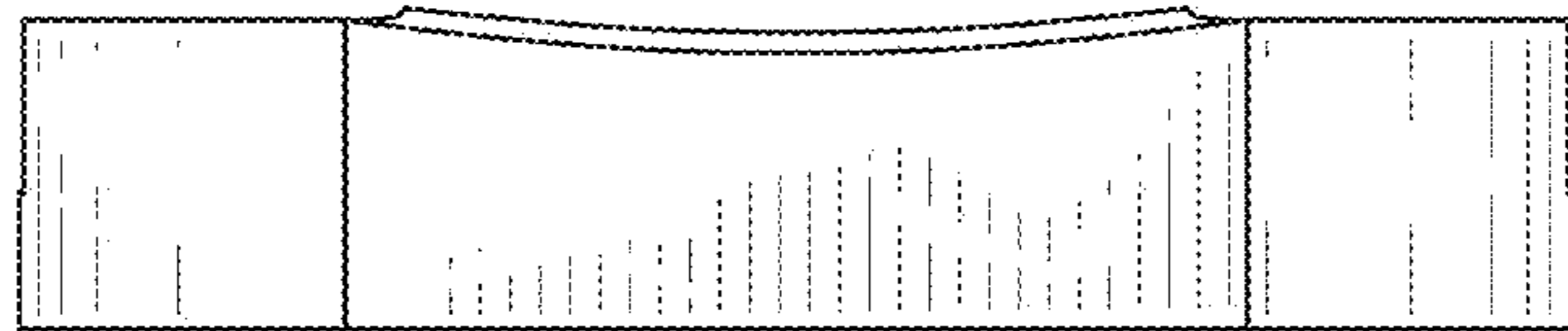


FIG. 2

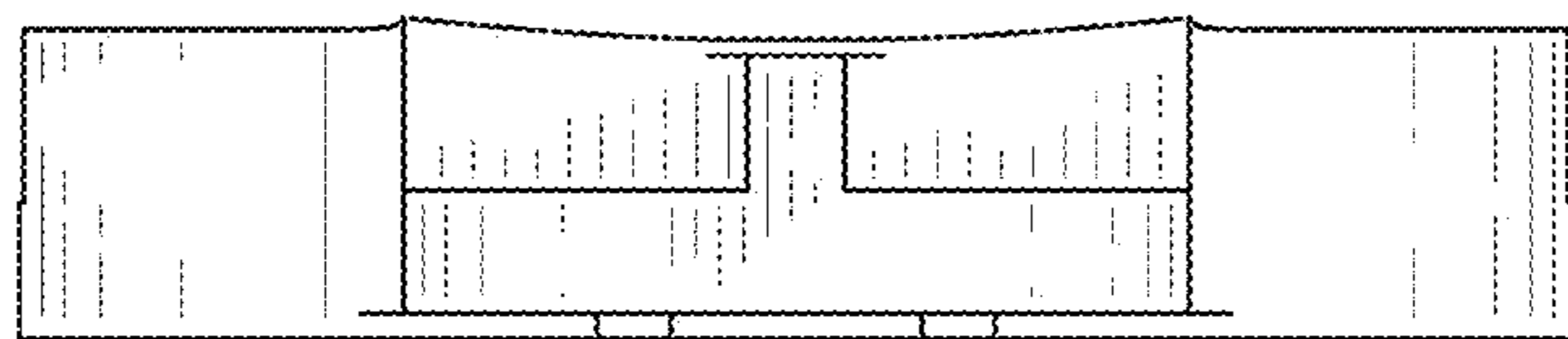


FIG. 3

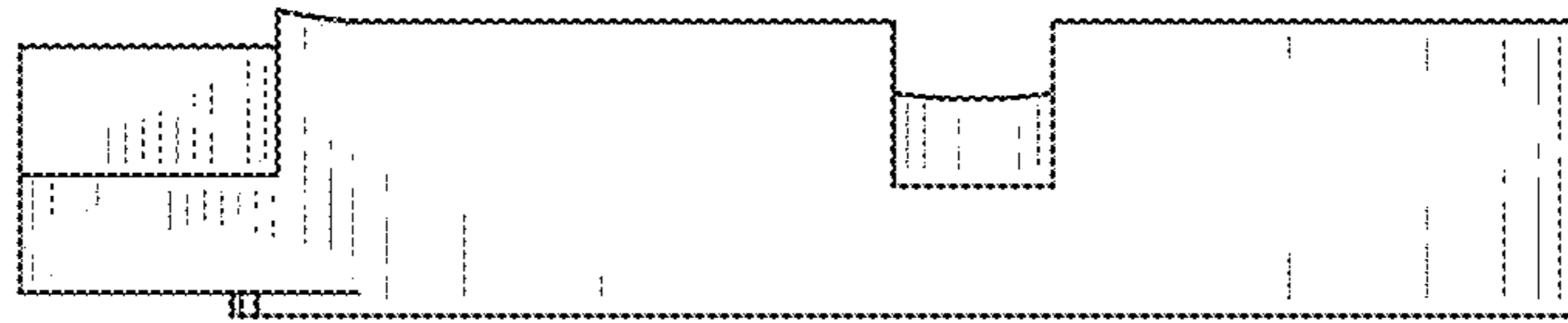


FIG. 4

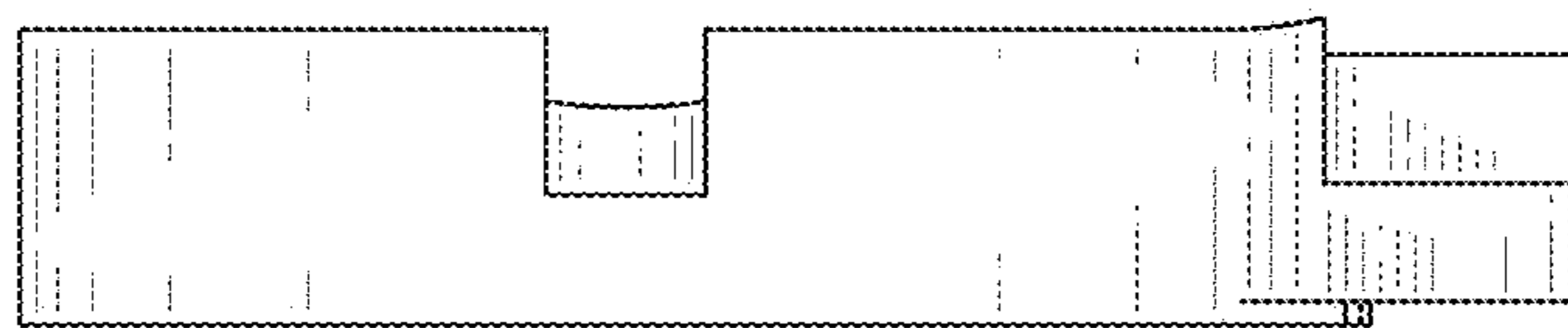


FIG. 5

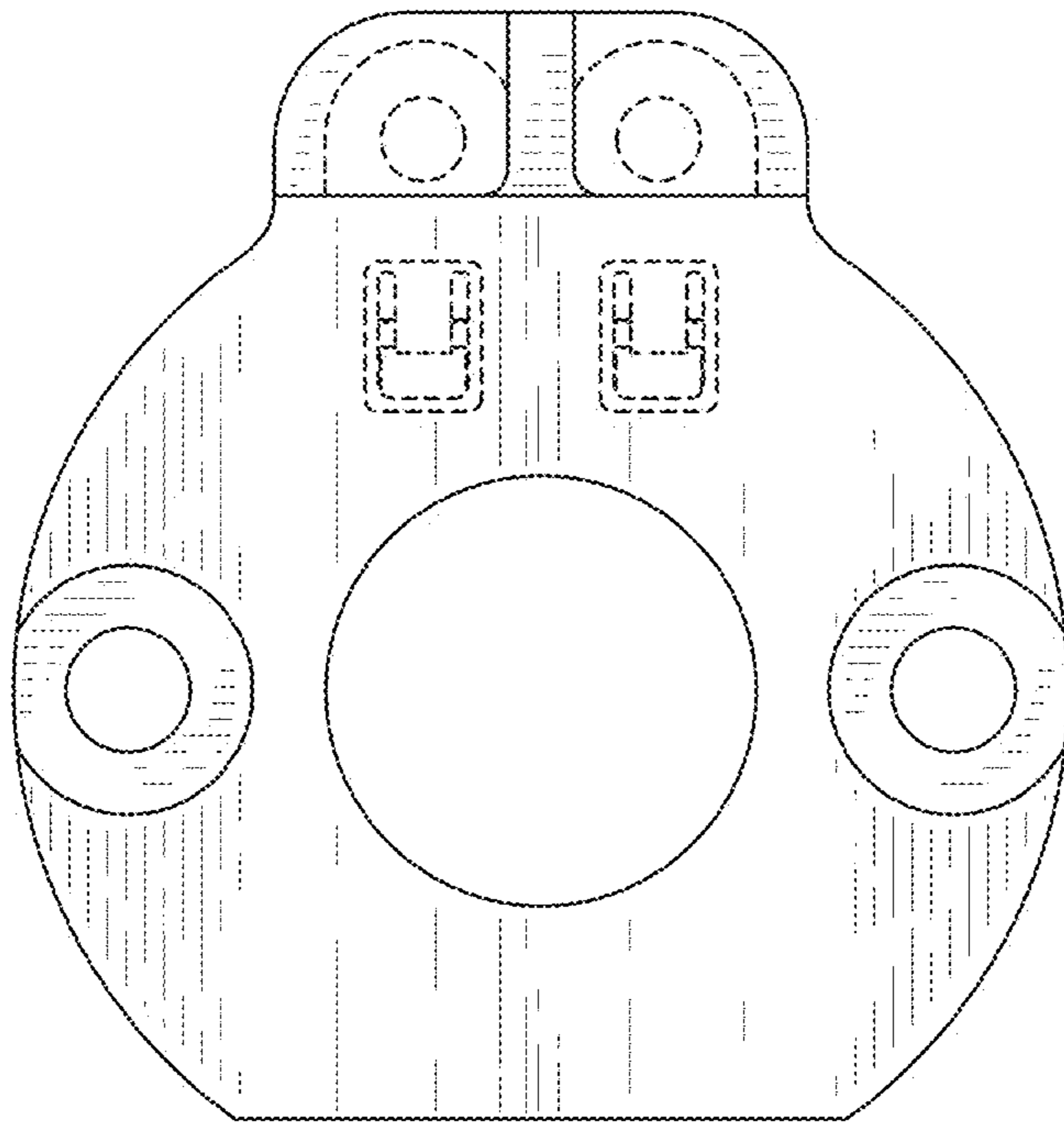


FIG. 6

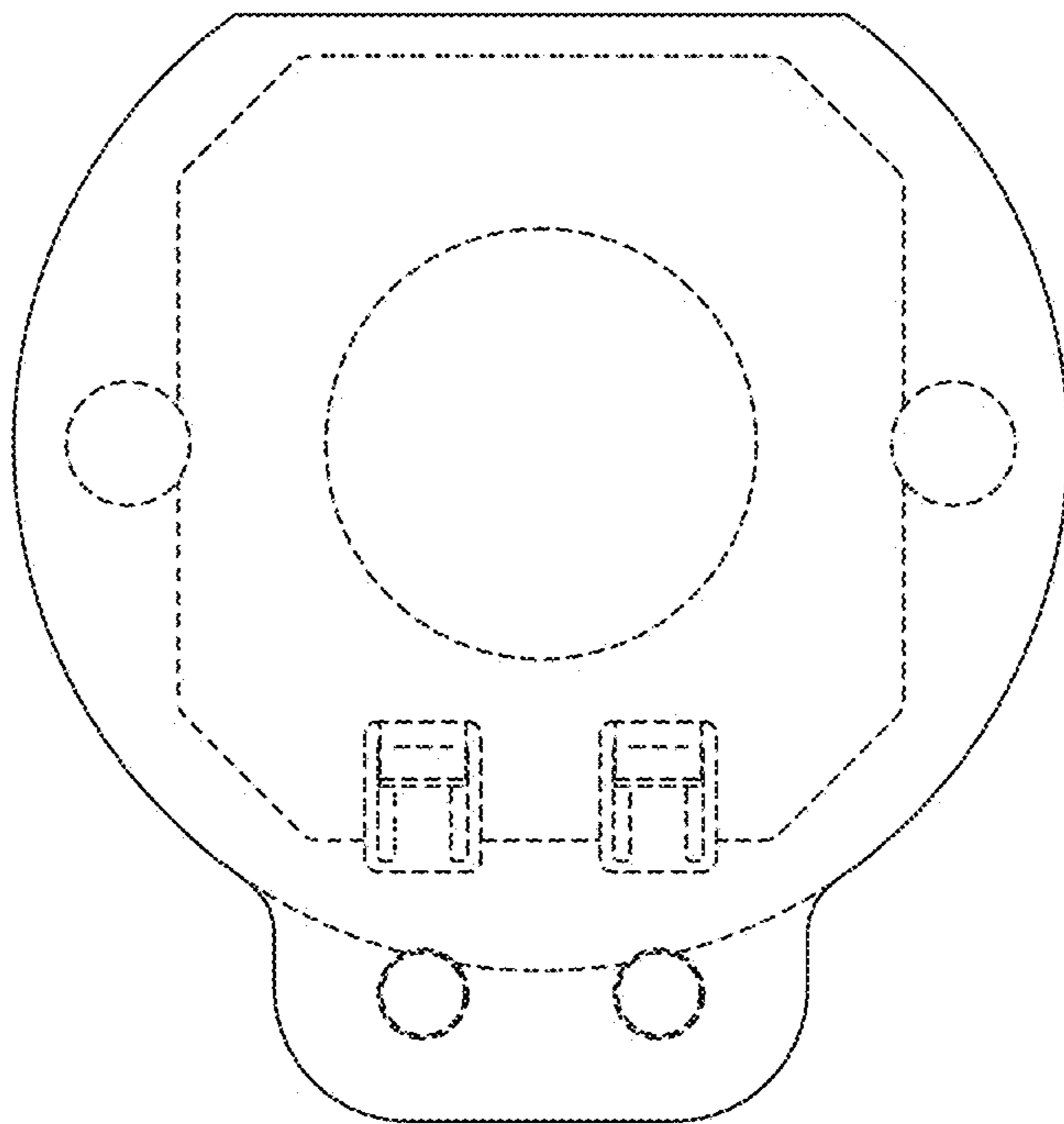


FIG. 7