



US00D681436S

(12) **United States Design Patent**
Jebara et al.

(10) **Patent No.:** **US D681,436 S**
(45) **Date of Patent:** **** May 7, 2013**

(54) **FOOTWEAR CLAMP BAG ACCESSORY**

(75) Inventors: **Nour Jebara**, Far Hills, NJ (US); **Liam Van Der Merwe**, Basking Ridge, NJ (US)

(73) Assignee: **Sterko LLC**, Far Hills, NJ (US)

(**) Term: **14 Years**

(21) Appl. No.: **29/389,184**

(22) Filed: **Apr. 7, 2011**

(51) **LOC (9) Cl.** **08-03**

(52) **U.S. Cl.**
USPC **D8/394**

(58) **Field of Classification Search** D8/354,
D8/356, 371, 394-396; D19/65, 86; D24/128;
248/74.2, 215, 227.1, 49, 300, 301, 316.7,
248/51, 489; 24/570, 3.12; D32/61; D11/78.1
See application file for complete search history.

4,796,337 A 1/1989 Marxer
4,942,994 A 7/1990 Sterenberg
4,953,714 A 9/1990 Paul
5,042,118 A 8/1991 Rubik

(Continued)

FOREIGN PATENT DOCUMENTS

CN 201315890 Y 9/2009
GB 2409807 A 7/2005
WO 9902934 1/1999

OTHER PUBLICATIONS

Phineas Products, The Shoe Hanger Company, Products: Shoe Hanger, Boot Clips, Sandal and Flip Flop Hangers, dated Oct. 7, 2010.

Primary Examiner — John Windmuller

(74) *Attorney, Agent, or Firm* — Amster, Rothstein & Ebenstein LLP

(57) **CLAIM**

The ornamental design for a footwear clamp bag accessory, as shown and described.

(56) **References Cited**

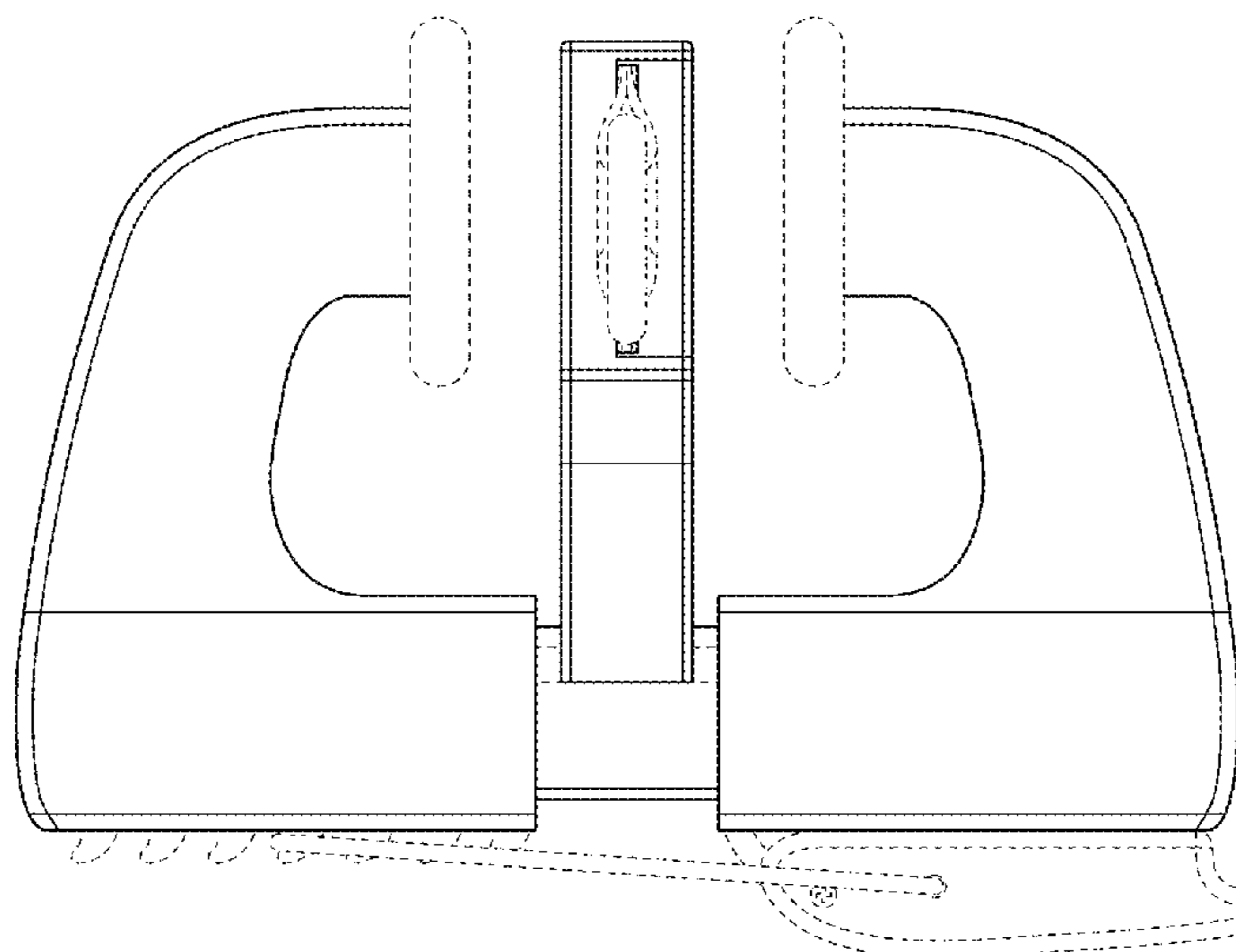
U.S. PATENT DOCUMENTS

- 1,516,489 A * 11/1924 Barton 24/523
- 1,746,962 A 2/1930 Perry
- 2,376,097 A 5/1945 Stamm
- 2,641,366 A 6/1949 Burch
- 2,787,379 A 4/1957 Fritz et al.
- 2,812,066 A 11/1957 Volosin
- 2,969,151 A 1/1961 Krstulovich
- 2,977,000 A 3/1961 Sitzman
- 3,237,225 A 3/1966 Schleman
- 3,249,231 A 5/1966 Matlock
- 3,317,054 A 5/1967 Gies
- 3,802,572 A 4/1974 Shackel
- 4,094,030 A 6/1978 Saad
- 4,536,926 A * 8/1985 Pantaleo 24/523
- 4,629,103 A 12/1986 Miller
- 4,669,615 A 6/1987 Zigman

DESCRIPTION

FIG. 1 is a top, front perspective view of the footwear clamp bag accessory showing our new design in use;
FIG. 2 is a top view of the footwear clamp bag accessory;
FIG. 3 is a bottom view thereof;
FIG. 4 is a side view thereof;
FIG. 5 is an opposite side view thereof;
FIG. 6 is a rear view thereof;
FIG. 7 is a front view thereof; and,
FIG. 8 is a top, front perspective view thereof in use.
The broken lines in the figures depict portions of the footwear clamp bag accessory that form no part of the claimed design.
The dot-dash lines in the figures depict environment only and form no part of the claimed design.

1 Claim, 7 Drawing Sheets



US D681,436 S

Page 2

U.S. PATENT DOCUMENTS							
				D547,048 S *	7/2007	Conway et al.	D3/10
5,664,719	A	9/1997	Bigham et al.	7,775,410	B2	8/2010	Zamzow
6,402,105	B1	6/2002	Hoyt et al.	2006/0002134	A1	1/2006	Capriola
6,932,312	B1 *	8/2005	Chen 248/316.1				
6,966,533	B1 *	11/2005	Kalis et al. 248/316.4				

* cited by examiner

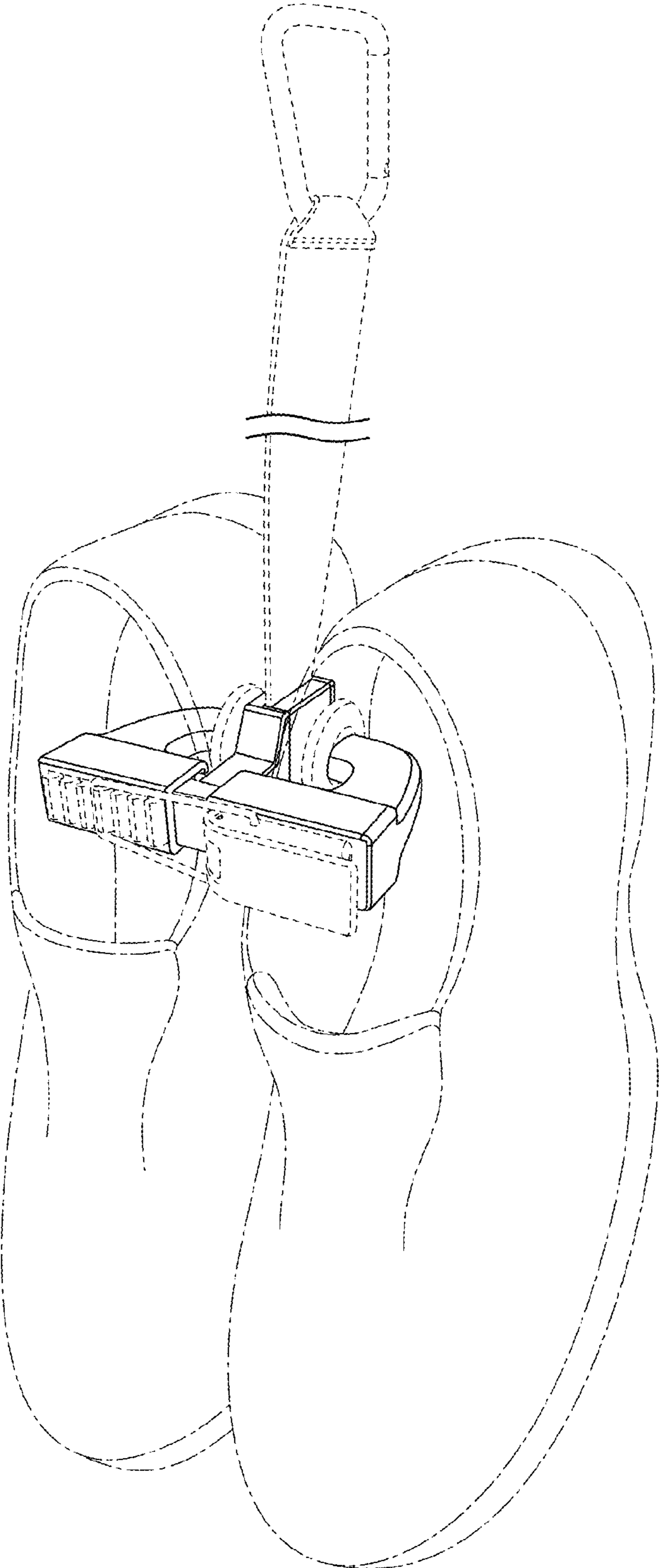


FIG. 1

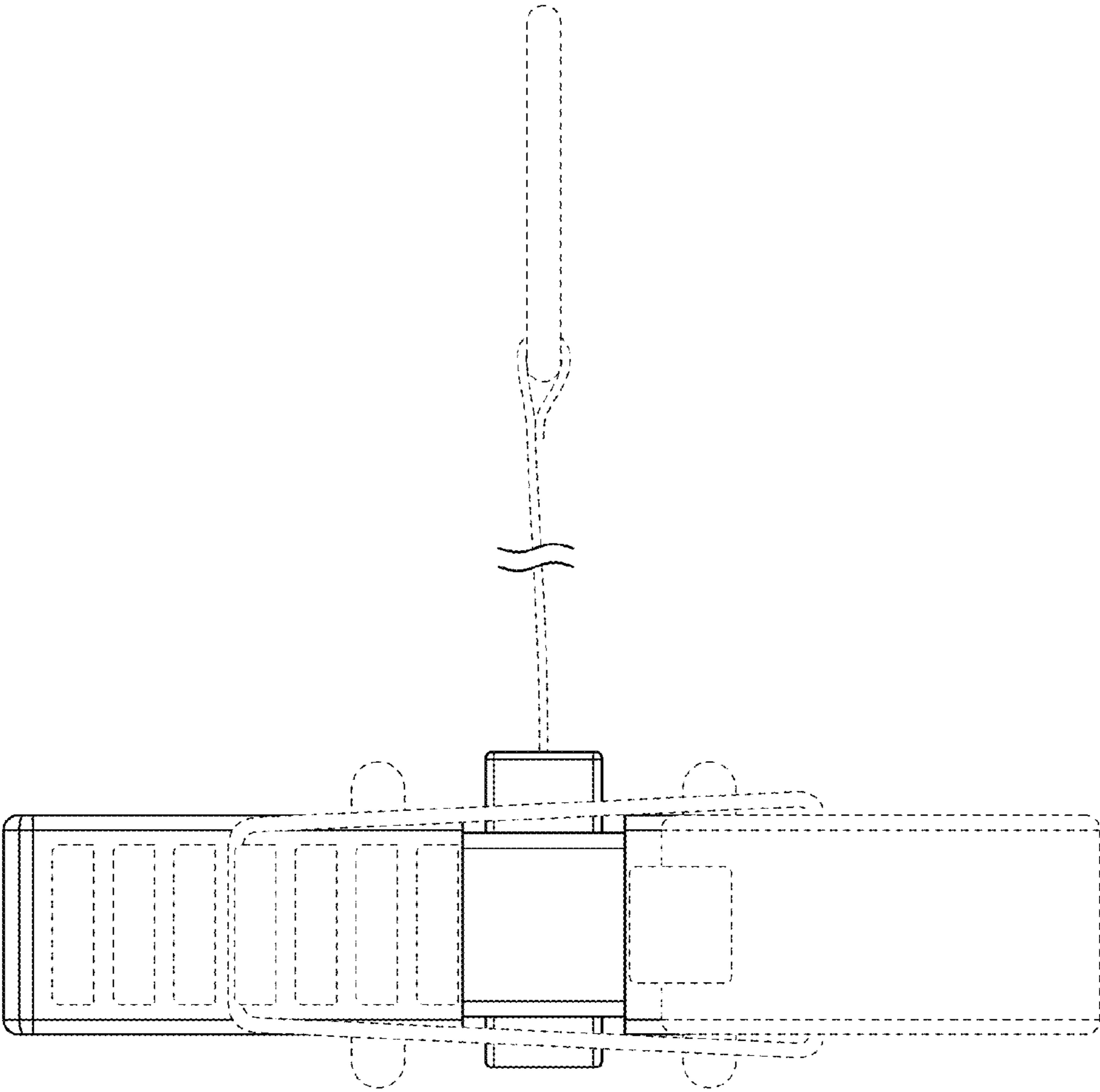


FIG. 2

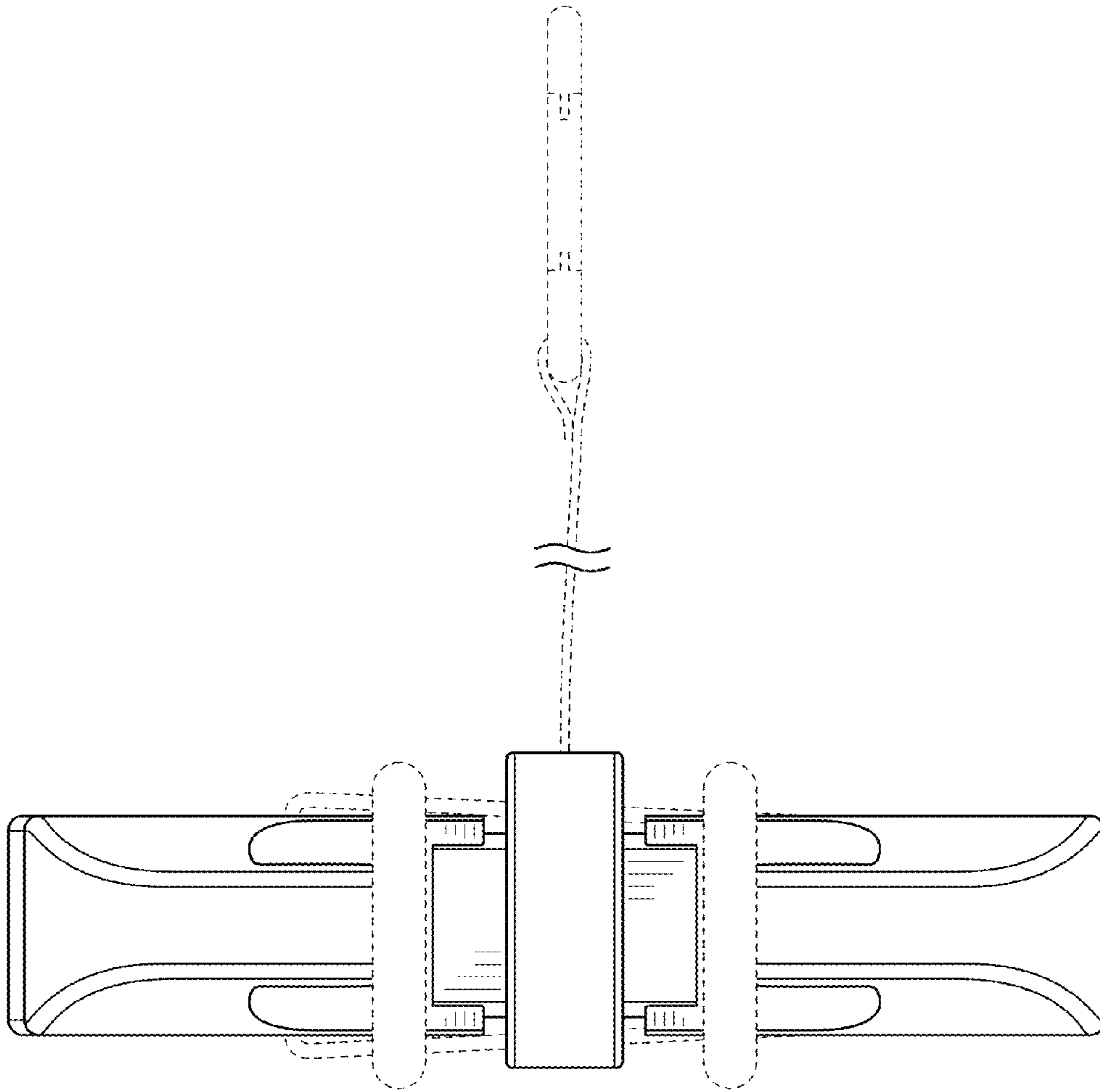


FIG. 3

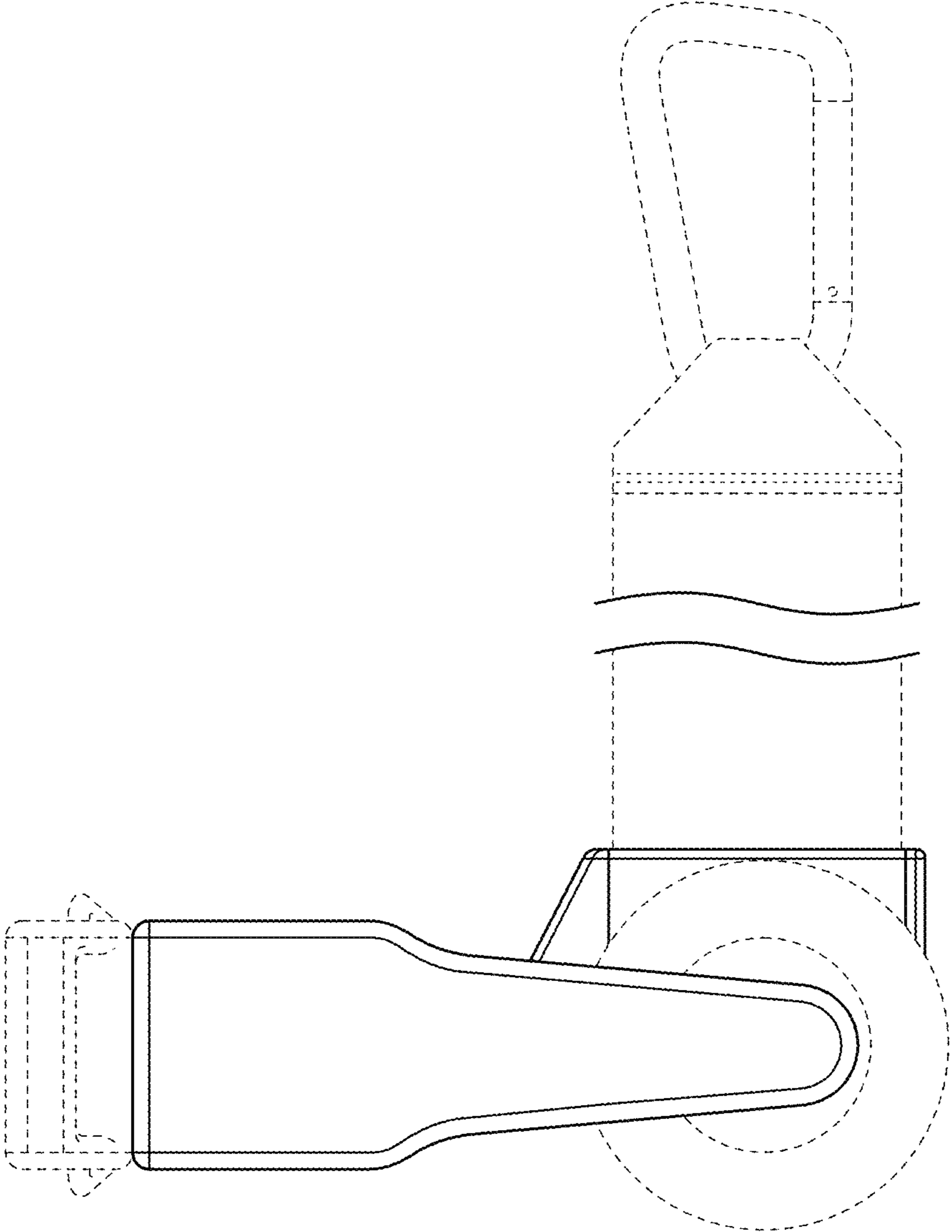


FIG. 4

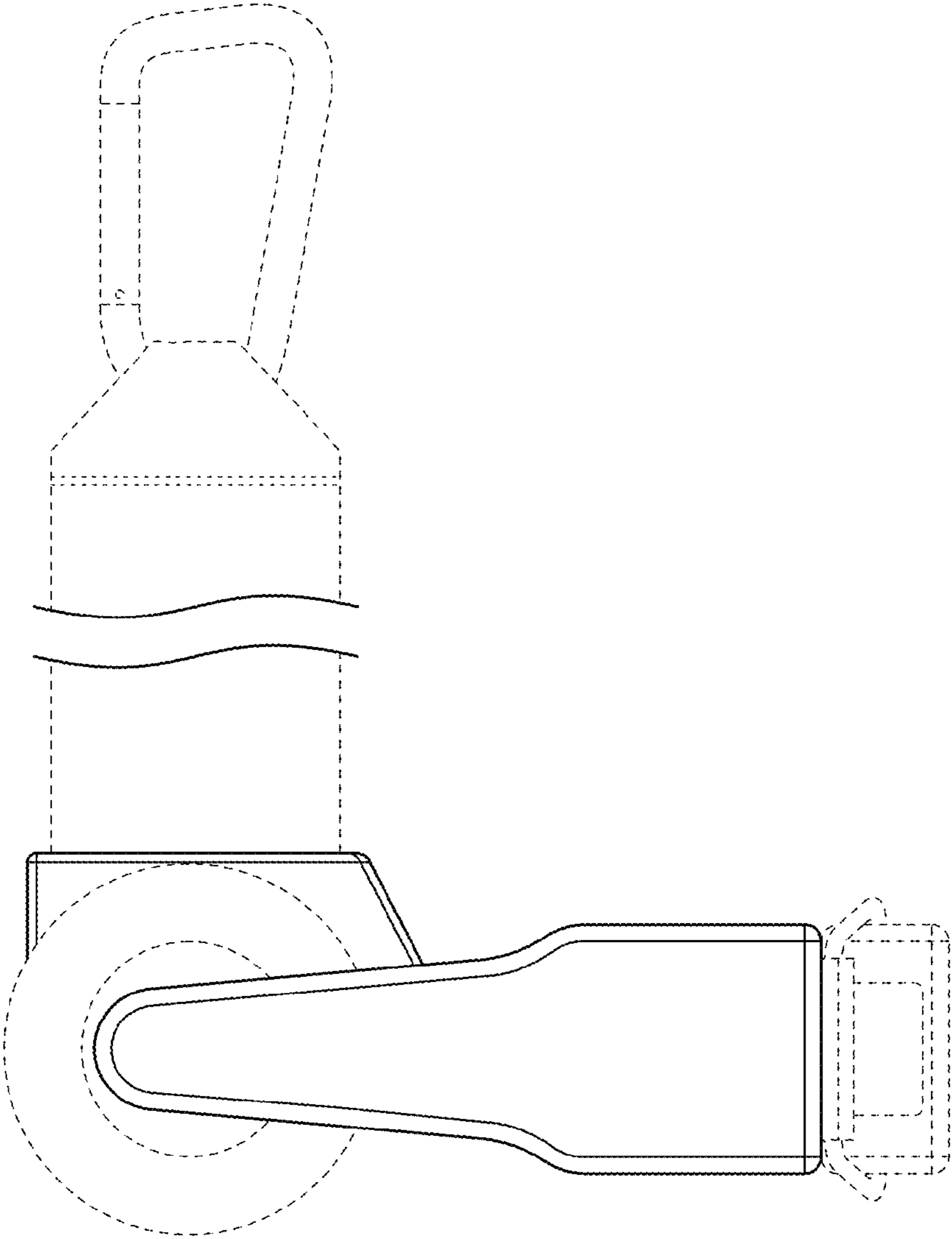


FIG. 5

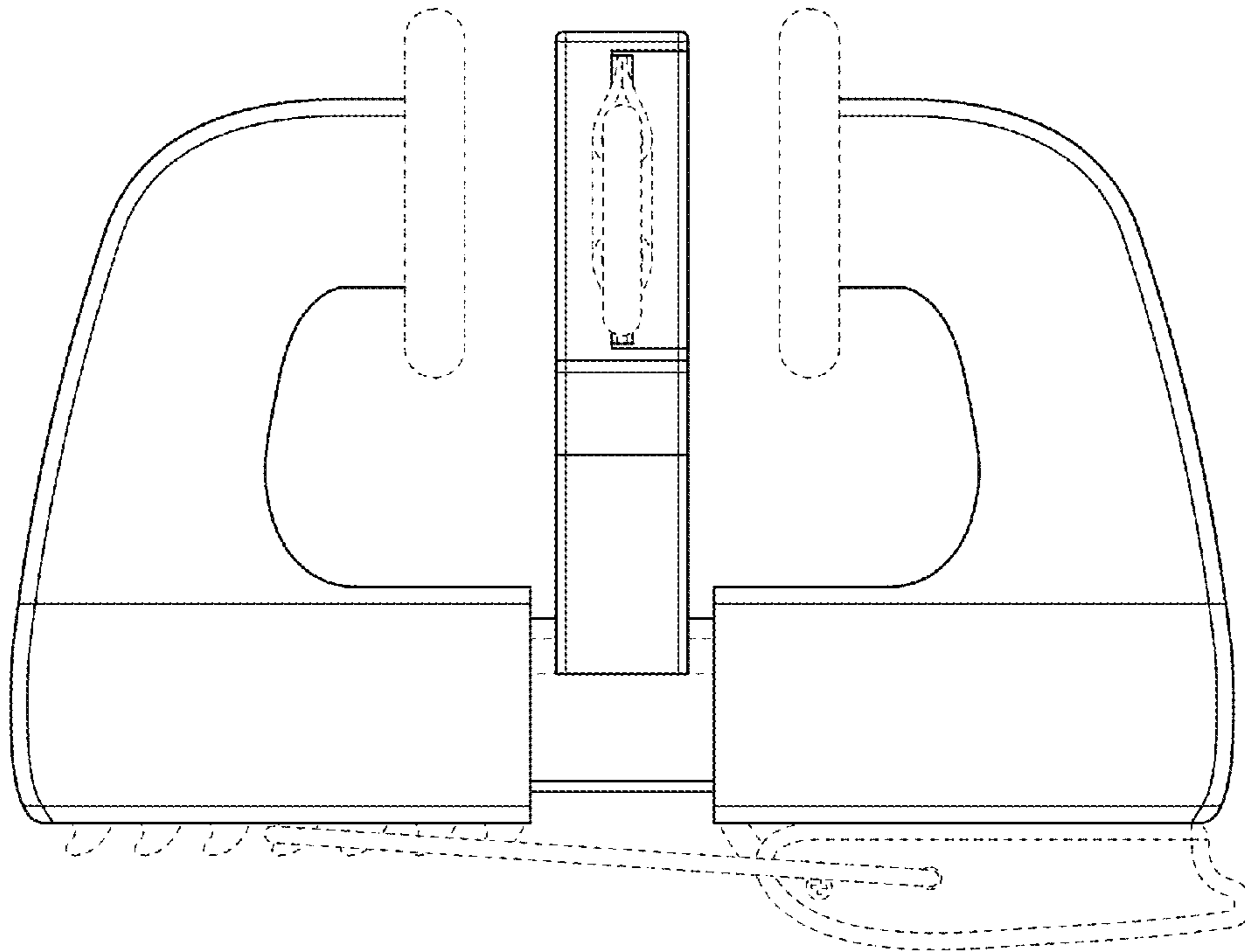


FIG. 6

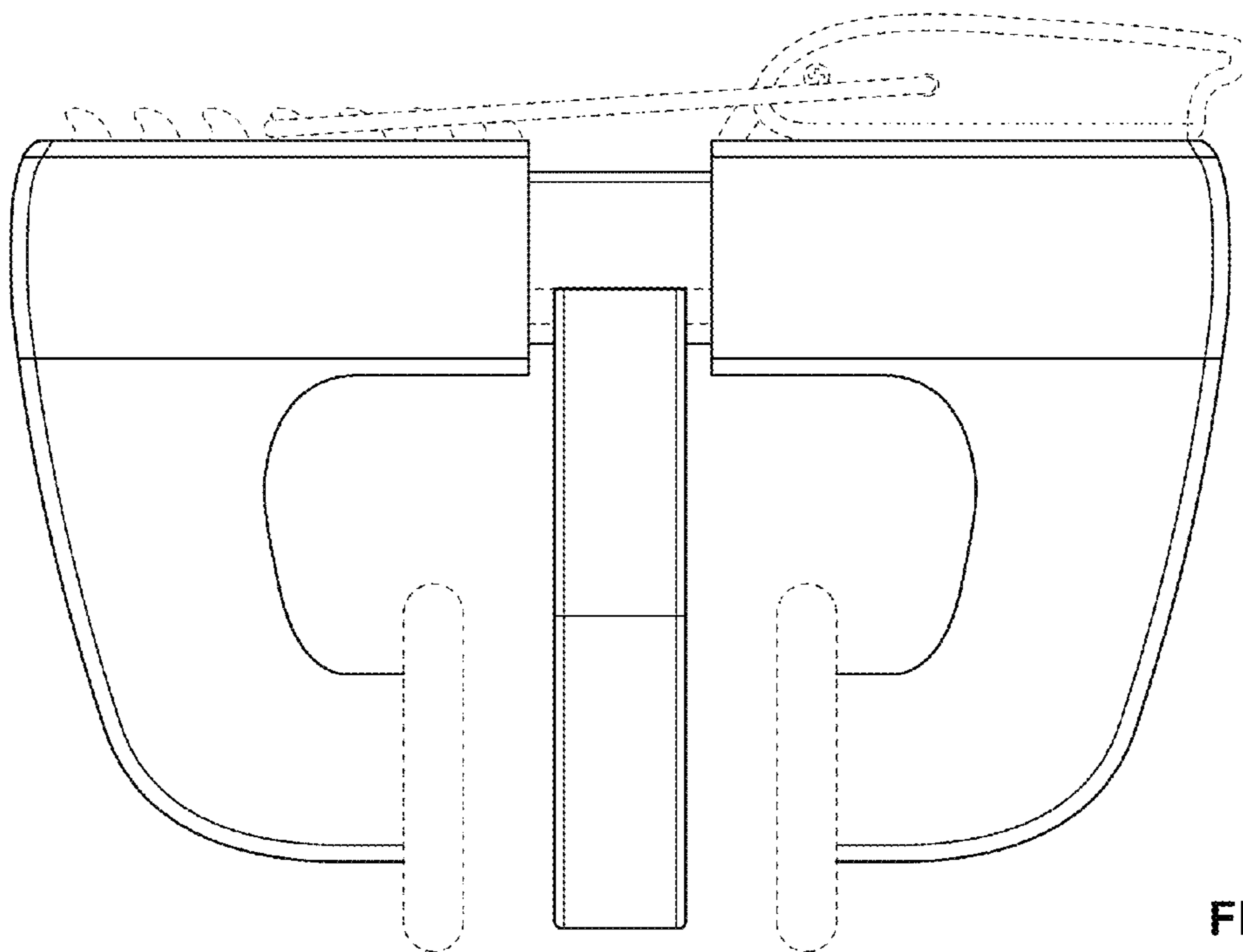


FIG. 7

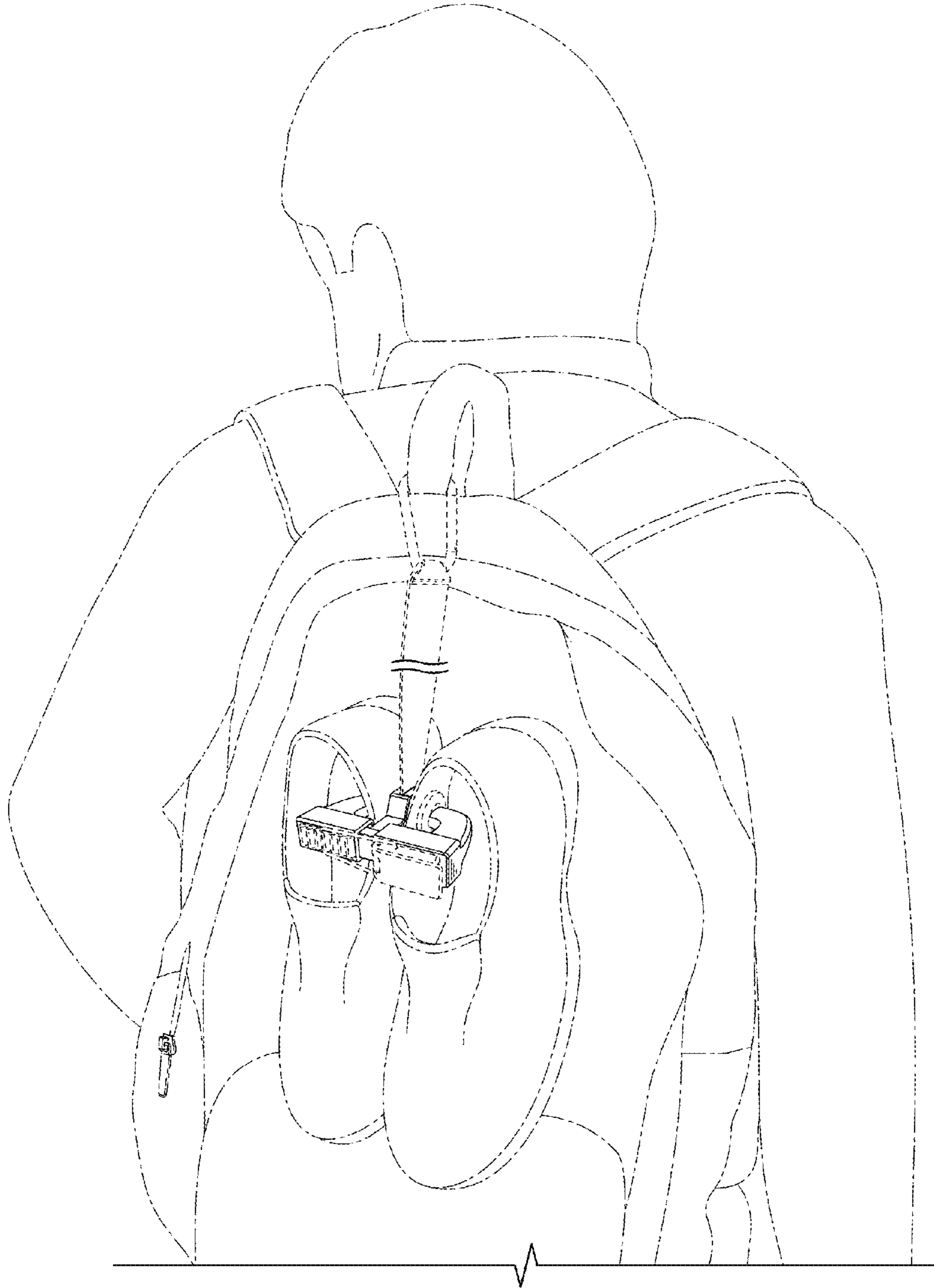


FIG. 8