



US00D681435S

(12) **United States Design Patent**  
**Beadle**

(10) **Patent No.:** **US D681,435 S**

(45) **Date of Patent:** **\*\* May 7, 2013**

(54) **TREE STUD FOR MOUNTING AN ELECTRICAL BOX**

(75) Inventor: **Joshua Z. Beadle**, San Diego, CA (US)

(73) Assignee: **Hunter Industries, Inc.**, San Marcos, CA (US)

(\*\*) Term: **14 Years**

(21) Appl. No.: **29/413,353**

(22) Filed: **Feb. 14, 2012**

(51) **LOC (9) Cl.** ..... **08-08**

(52) **U.S. Cl.**  
USPC ..... **D8/387**

(58) **Field of Classification Search** ..... D8/387,  
D8/388, 391, 385; 411/378, 393, 402, 411,  
411/352, 353, 403, 366.1, 399

See application file for complete search history.

(56) **References Cited**

U.S. PATENT DOCUMENTS

1,908,215	A *	5/1933	Berge	.....	470/4
7,338,243	B2 *	3/2008	Gerhard	.....	411/387.4
D585,731	S *	2/2009	Carrillo et al.	.....	D8/387
D647,393	S *	10/2011	Carrillo et al.	.....	D8/387
D662,808	S *	7/2012	Vandenberg	.....	D8/387

\* cited by examiner

*Primary Examiner* — Sheryl Lane

(74) *Attorney, Agent, or Firm* — Michael H. Jester

(57) **CLAIM**

The ornamental design for a tree stud for mounting an electrical box, as shown and described.

**DESCRIPTION**

FIG. 1 is an isometric view of a tree stud for mounting an electrical box;

FIG. 2 is a side elevation view of the tree stud rotated thirty (30) degrees about its longitudinal axis from the orientation illustrated in FIG. 1;

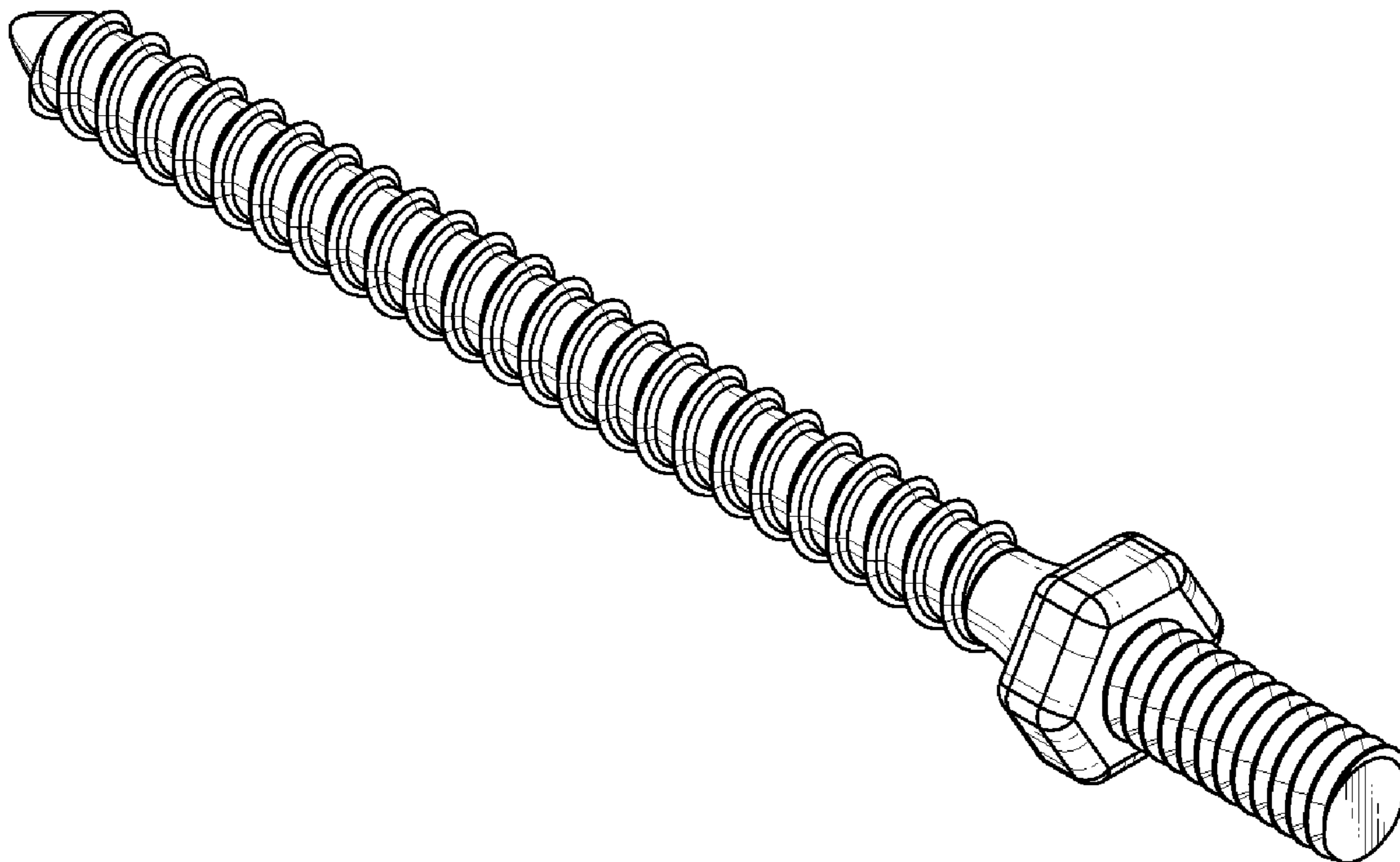
FIG. 3 is a side elevation view of the tree stud in its orientation illustrated in FIG. 1;

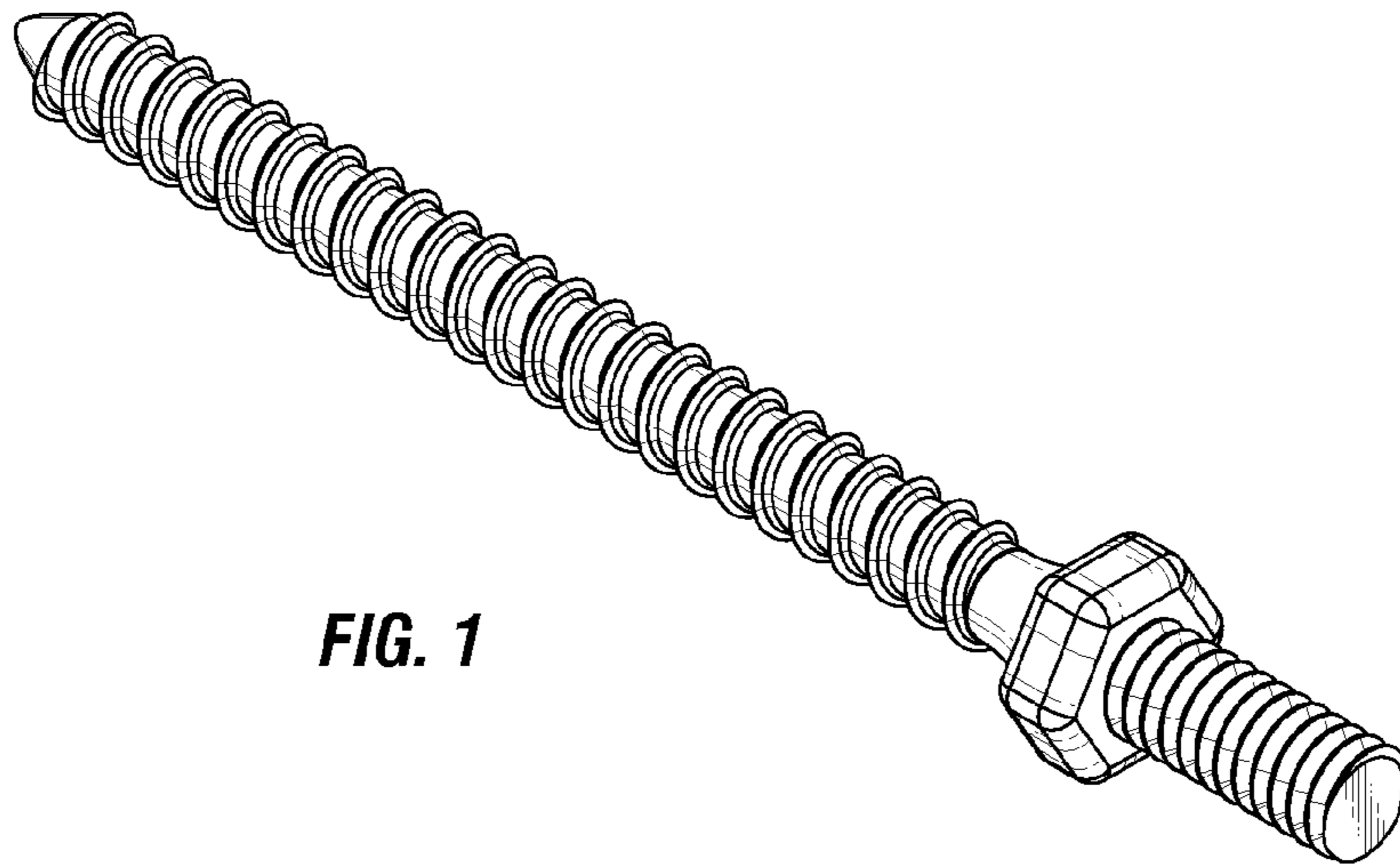
FIG. 4 is an end elevation view of the tree stud taken from the right side of FIG. 3;

FIG. 5 is an end elevation view of the tree stud taken from the left end of FIG. 3; and,

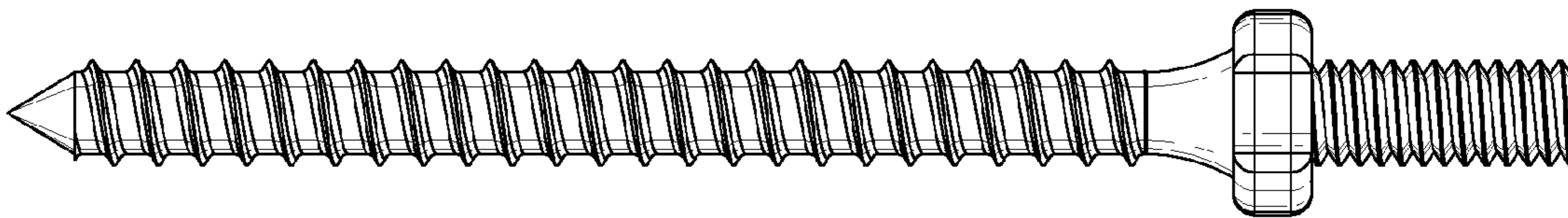
FIG. 6 illustrates two of the tree studs inserted through holes in upper and lower flanges of an electrical box and secured thereto with hexagonal nuts, said electrical box and hexagonal nuts illustrated in phantom lines forming no part of the claimed design.

**1 Claim, 2 Drawing Sheets**

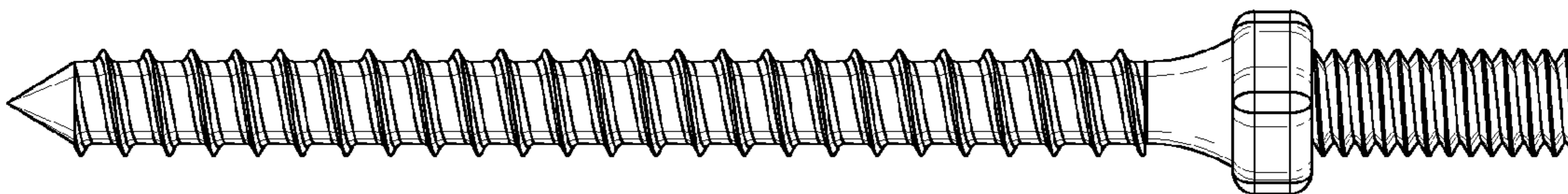




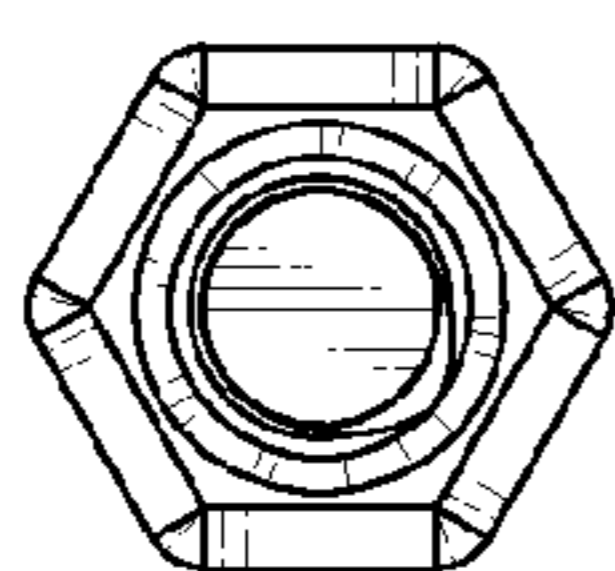
**FIG. 1**



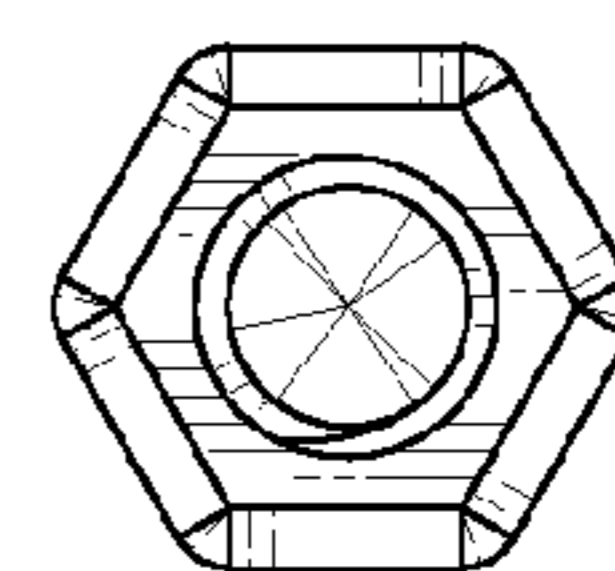
**FIG. 2**



**FIG. 3**



**FIG. 4**



**FIG. 5**

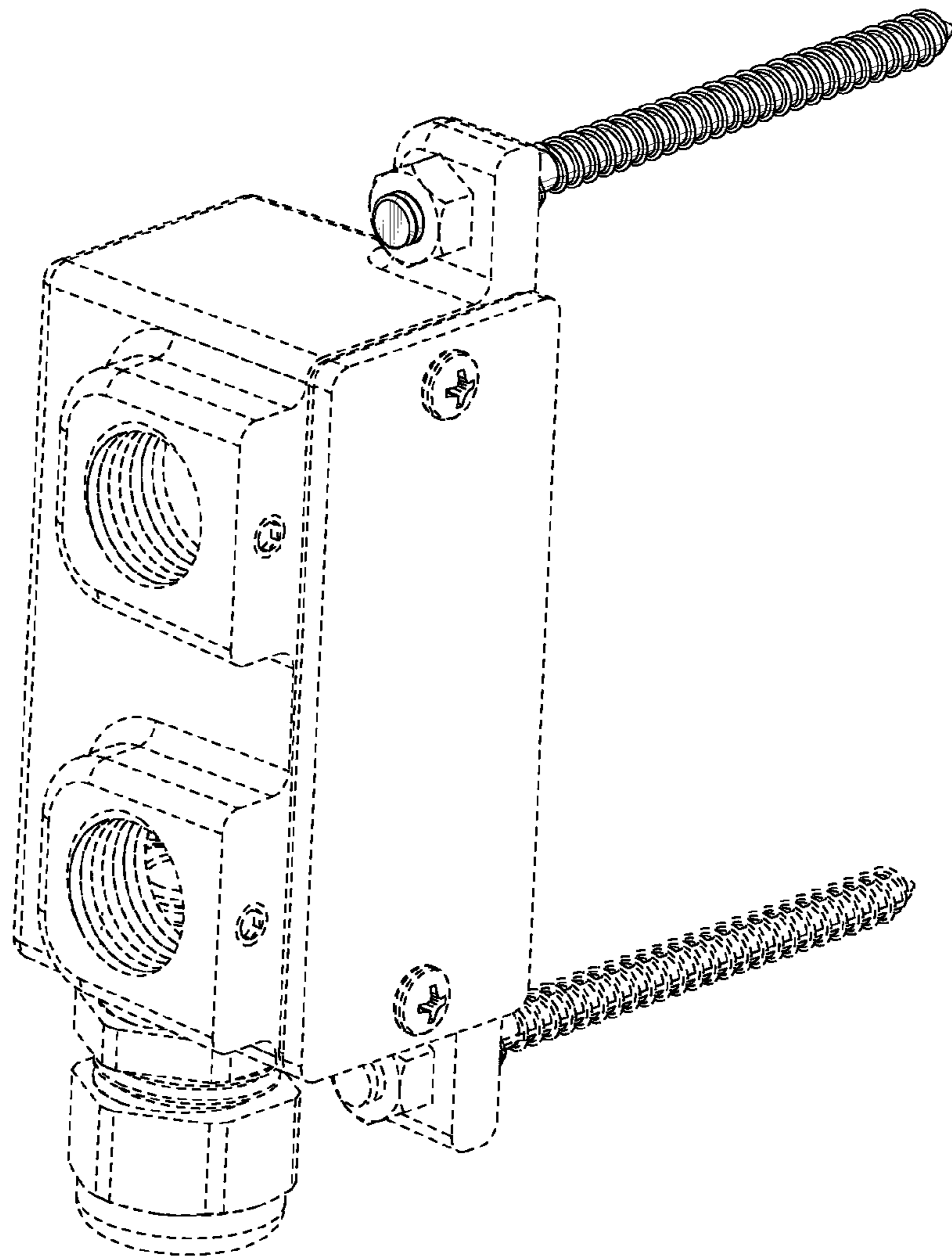


FIG. 6