



US00D681434S

(12) **United States Design Patent**
Wang

(10) **Patent No.:** **US D681,434 S**

(45) **Date of Patent:** **** May 7, 2013**

(54) **CAPTIVE SCREW**

(76) Inventor: **Ting-Jui Wang**, Sindian (TW)

(**) Term: **14 Years**

(21) Appl. No.: **29/358,630**

(22) Filed: **Mar. 30, 2010**

(51) **LOC (9) Cl.** **08-08**

(52) **U.S. Cl.**
USPC **D8/387**

(58) **Field of Classification Search** D8/387,
D8/382, 386, 392, 393, 397, 399; 411/103,
411/105, 107, 352, 353, 378, 387.1, 387.3,
411/402, 403, 999

See application file for complete search history.

(56) **References Cited**

U.S. PATENT DOCUMENTS

5,642,972	A *	7/1997	Ellis et al.	411/353
7,179,037	B2 *	2/2007	Aukzemas et al.	411/353
D551,068	S *	9/2007	Chen et al.	D8/387
D551,954	S *	10/2007	Tan	D8/387
D551,957	S *	10/2007	Chen et al.	D8/387
D639,649	S *	6/2011	Summers	D8/387
D639,651	S *	6/2011	Summers	D8/387

* cited by examiner

Primary Examiner — Derrick Holland

(74) *Attorney, Agent, or Firm* — Muncy, Geissler, Olds & Lowe, PLLC

(57) **CLAIM**

The ornamental design for a captive screw, as shown and described.

DESCRIPTION

FIG. 1 is a left side elevation of a captive screw showing my new design;

FIG. 2 is a right side elevation thereof;

FIG. 3 is a perspective view thereof;

FIG. 4 is a bottom plan view thereof;

FIG. 5 is a top plan view thereof showing a six lobed driver recess;

FIG. 6 is an alternate top plan view thereof showing a combined six lobed/slotted driver recess;

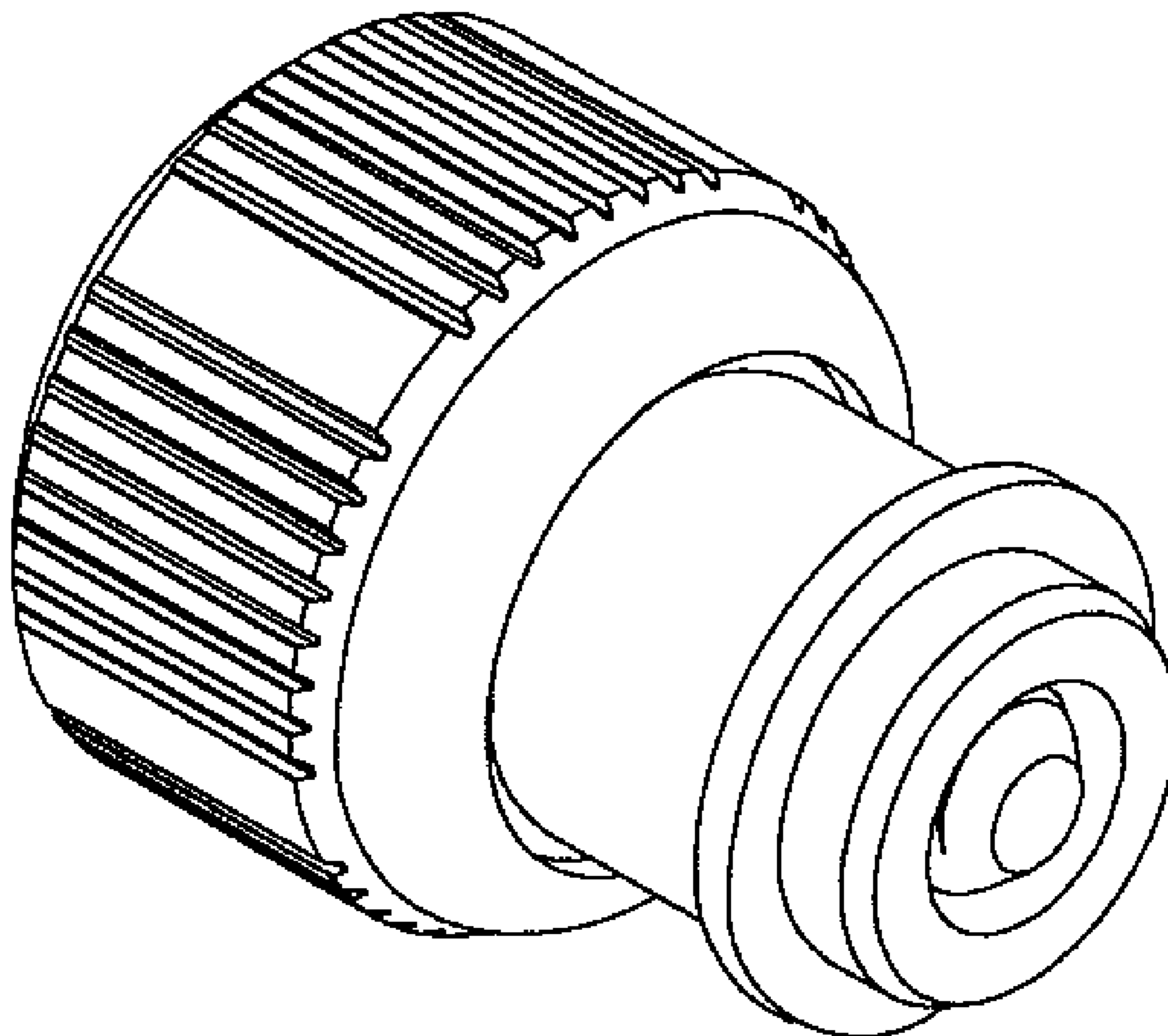
FIG. 7 is an alternate top plan view thereof showing a slotted driver recess;

FIG. 8 is an alternate top plan view thereof showing a Phillips driver recess; and,

FIG. 9 is an alternate top plan view thereof showing a combined slotted/Phillips driver recess.

The broken lines immediately adjacent the claimed areas represent the bounds of the claimed design while all other broken lines are directed to environment and are for illustrative purposes only; the broken lines form no part of the claimed design.

1 Claim, 1 Drawing Sheet



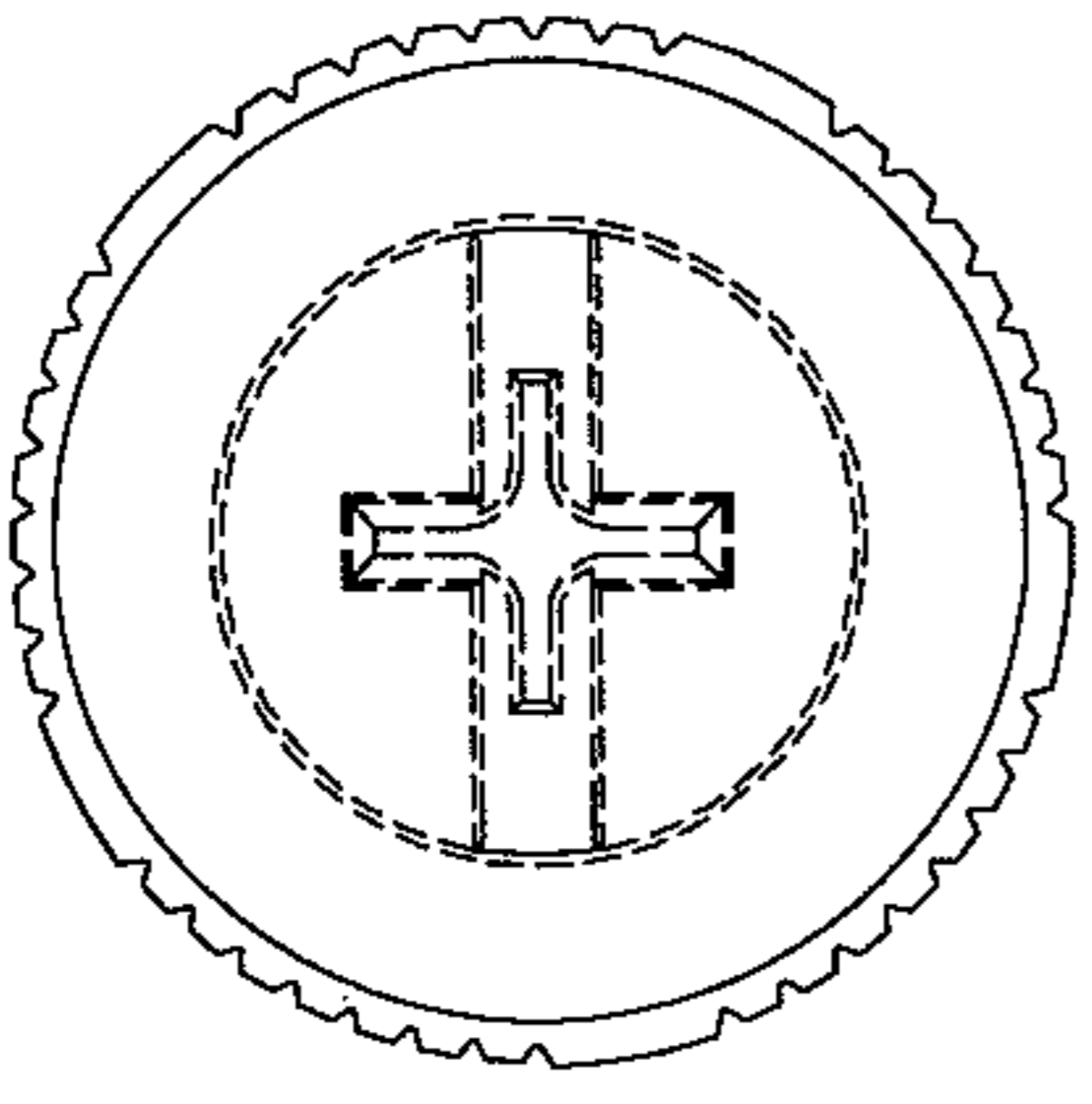


FIG. 9

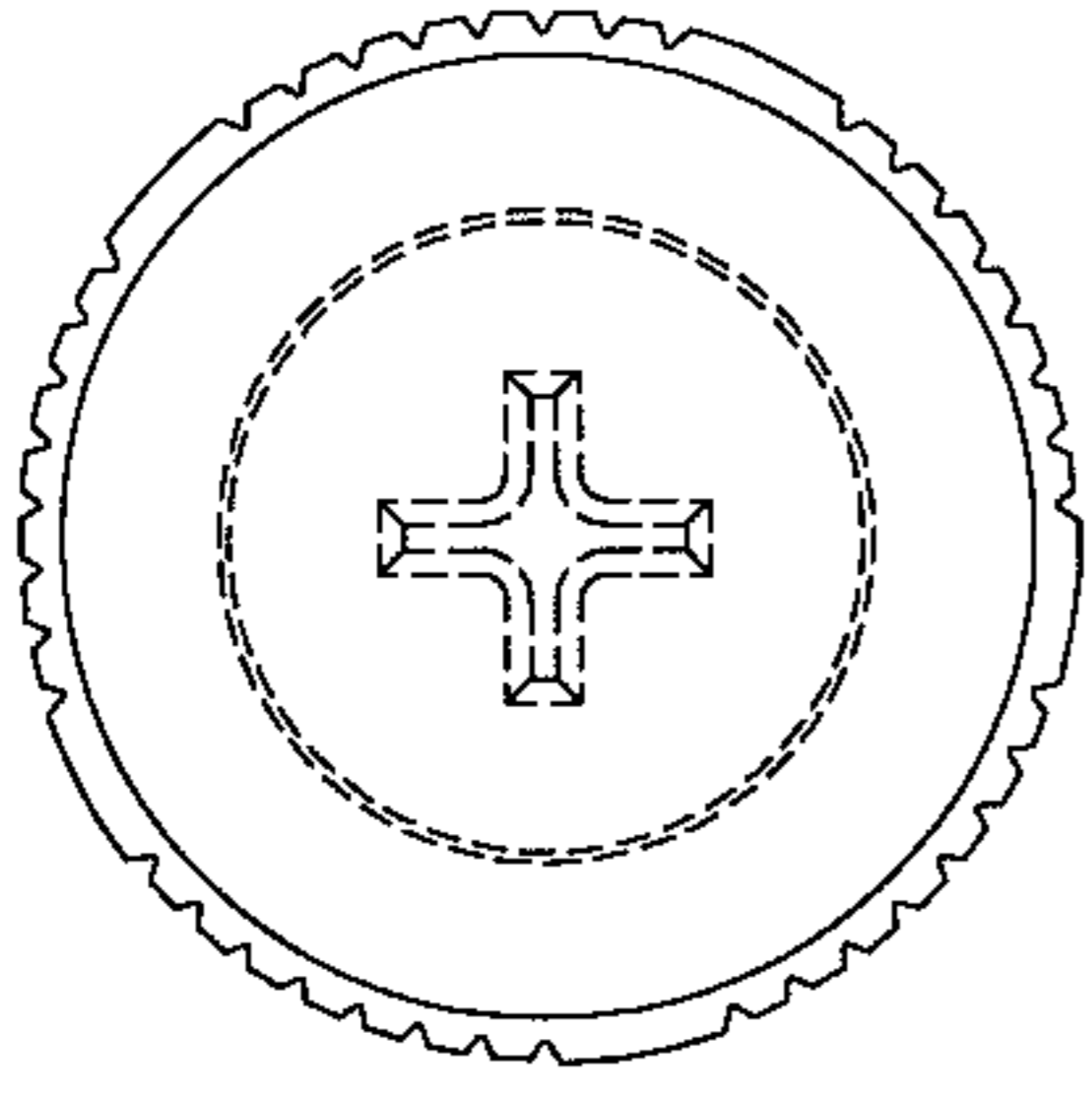


FIG. 8

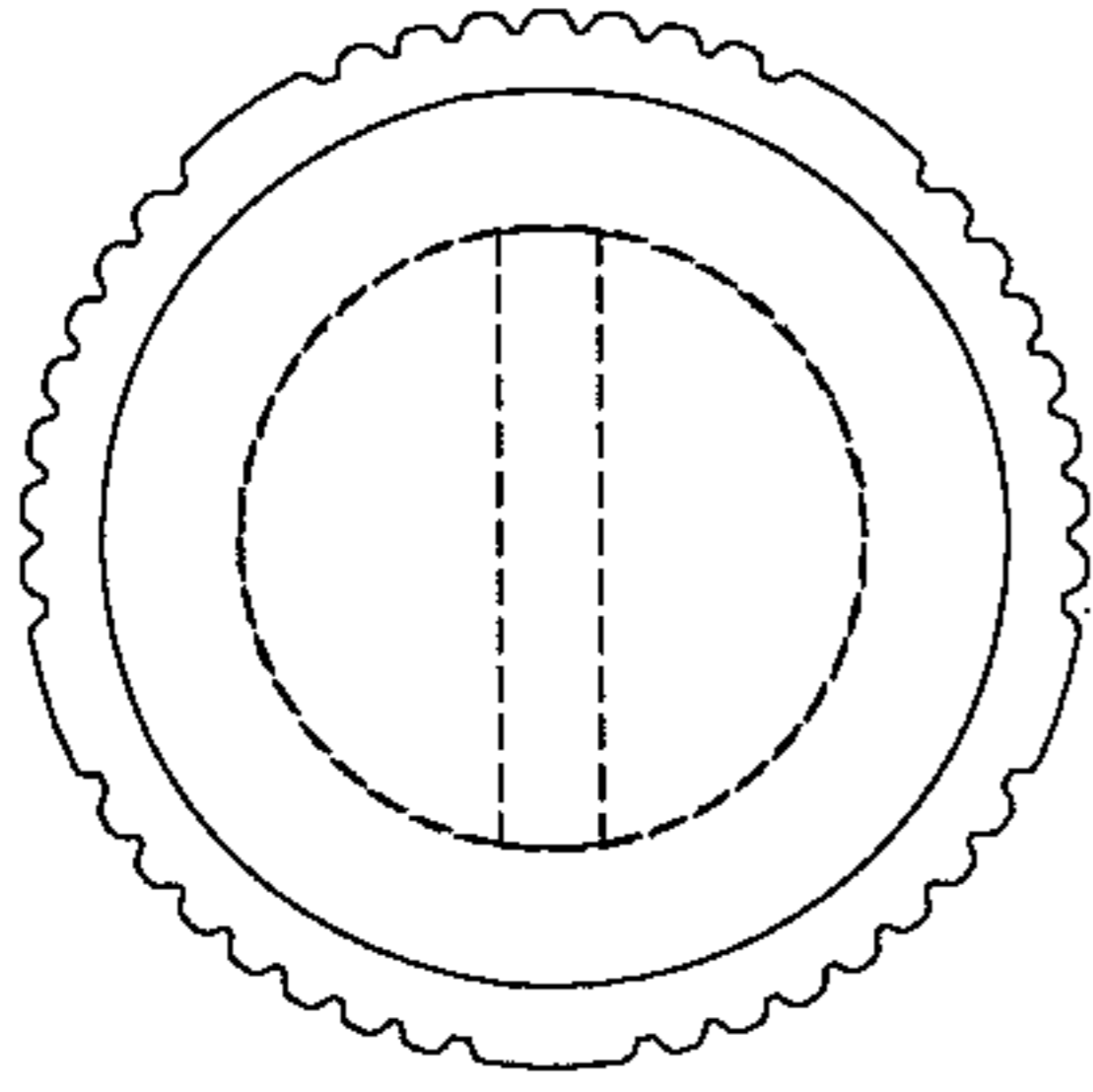


FIG. 7

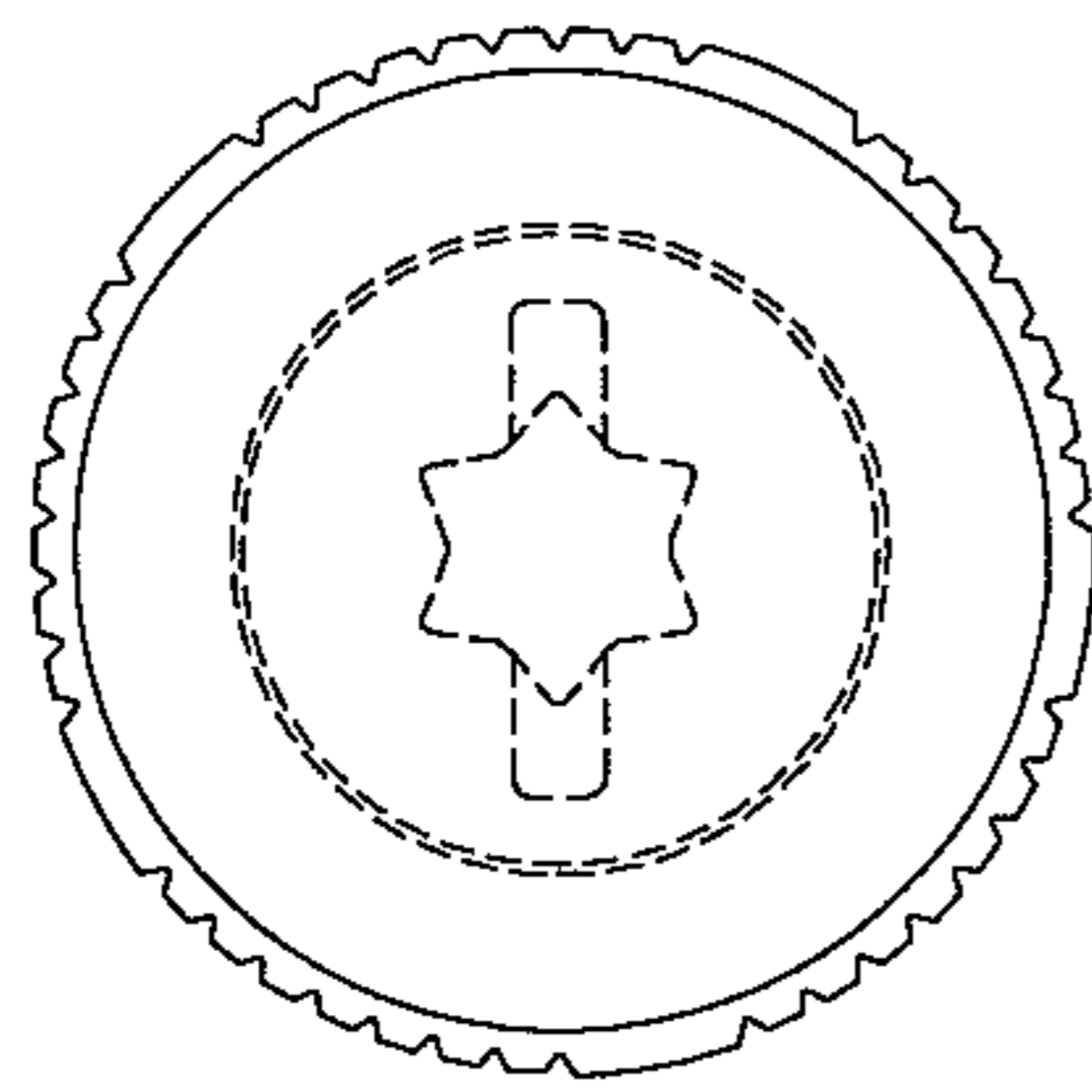


FIG. 6

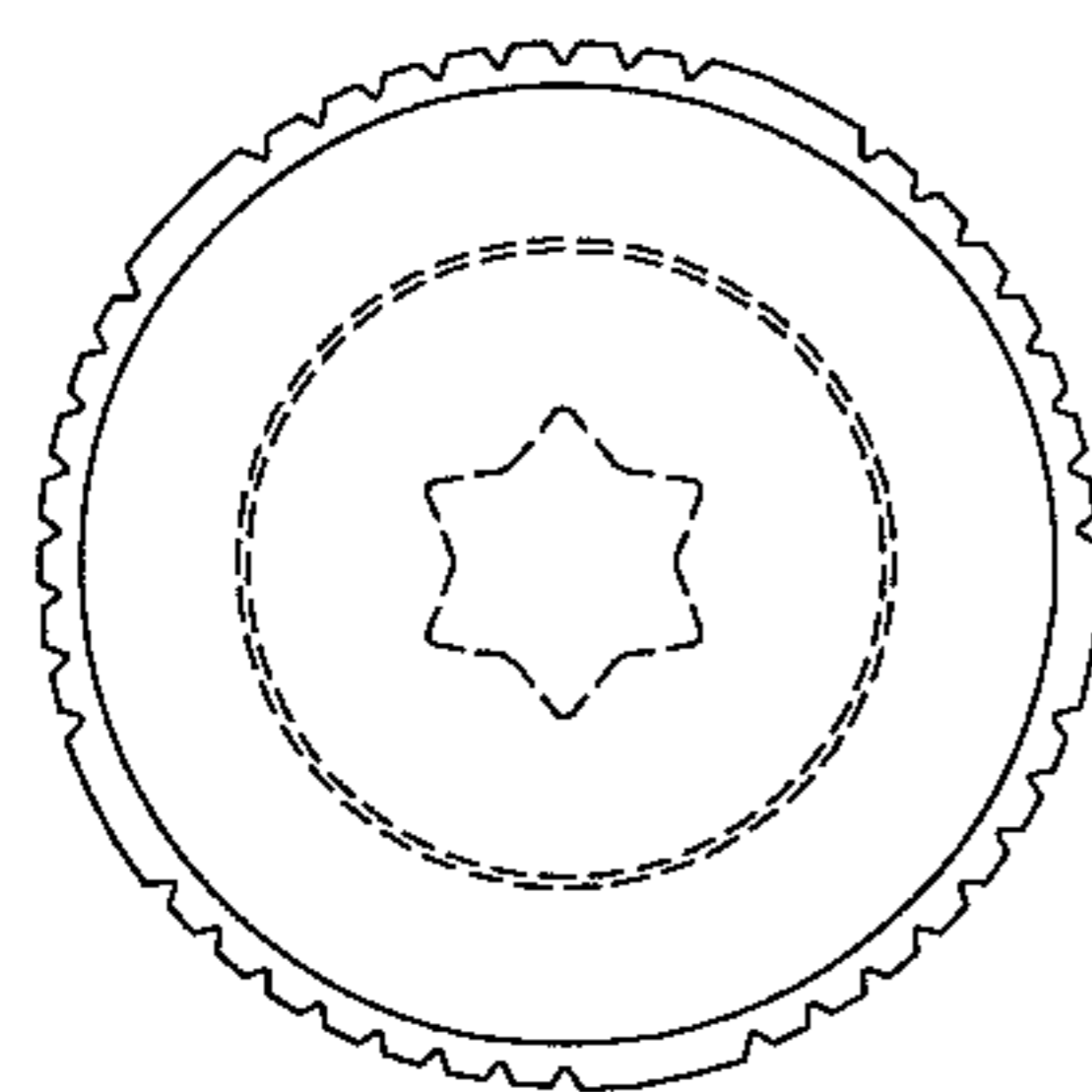


FIG. 5

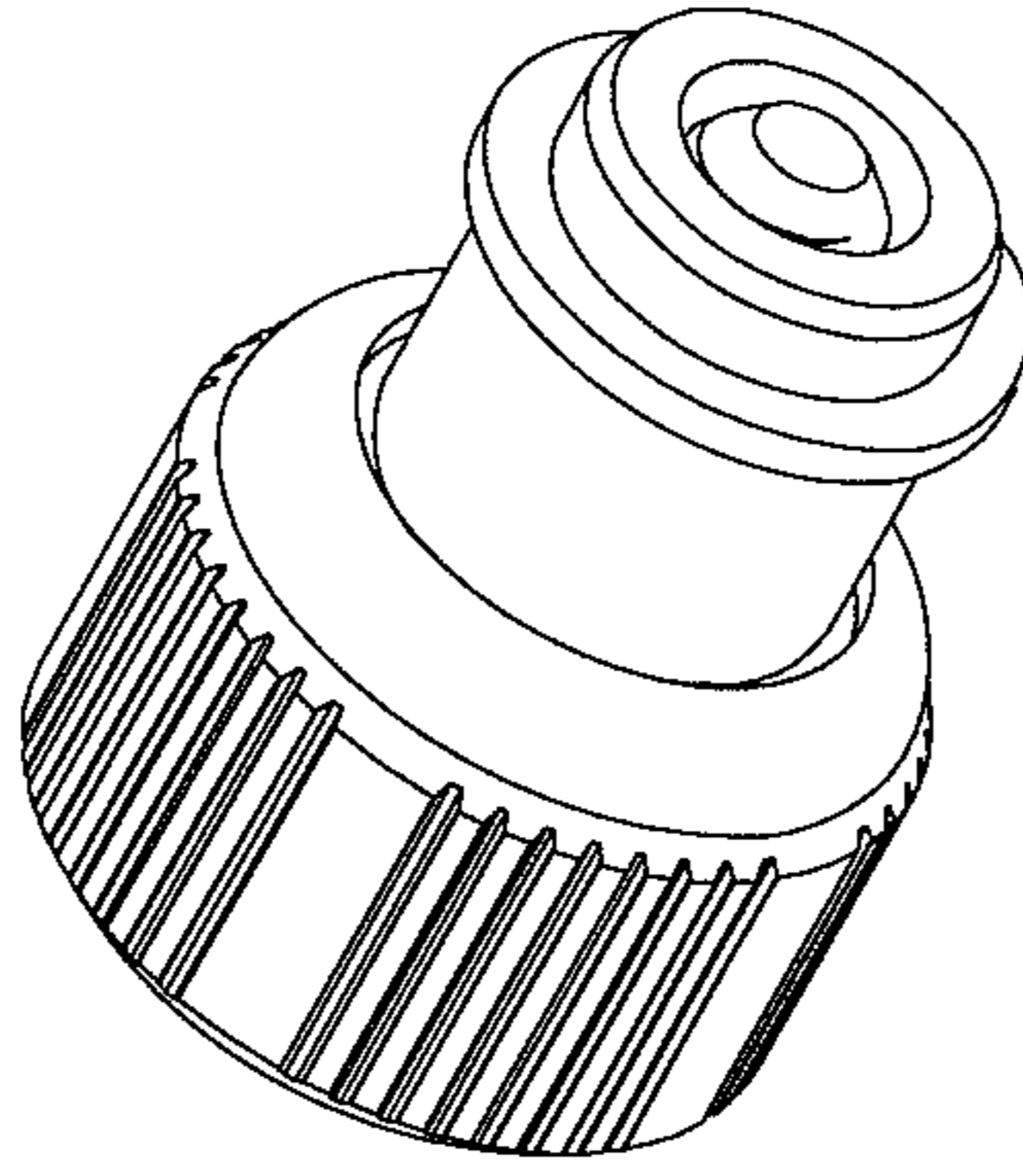


FIG. 3

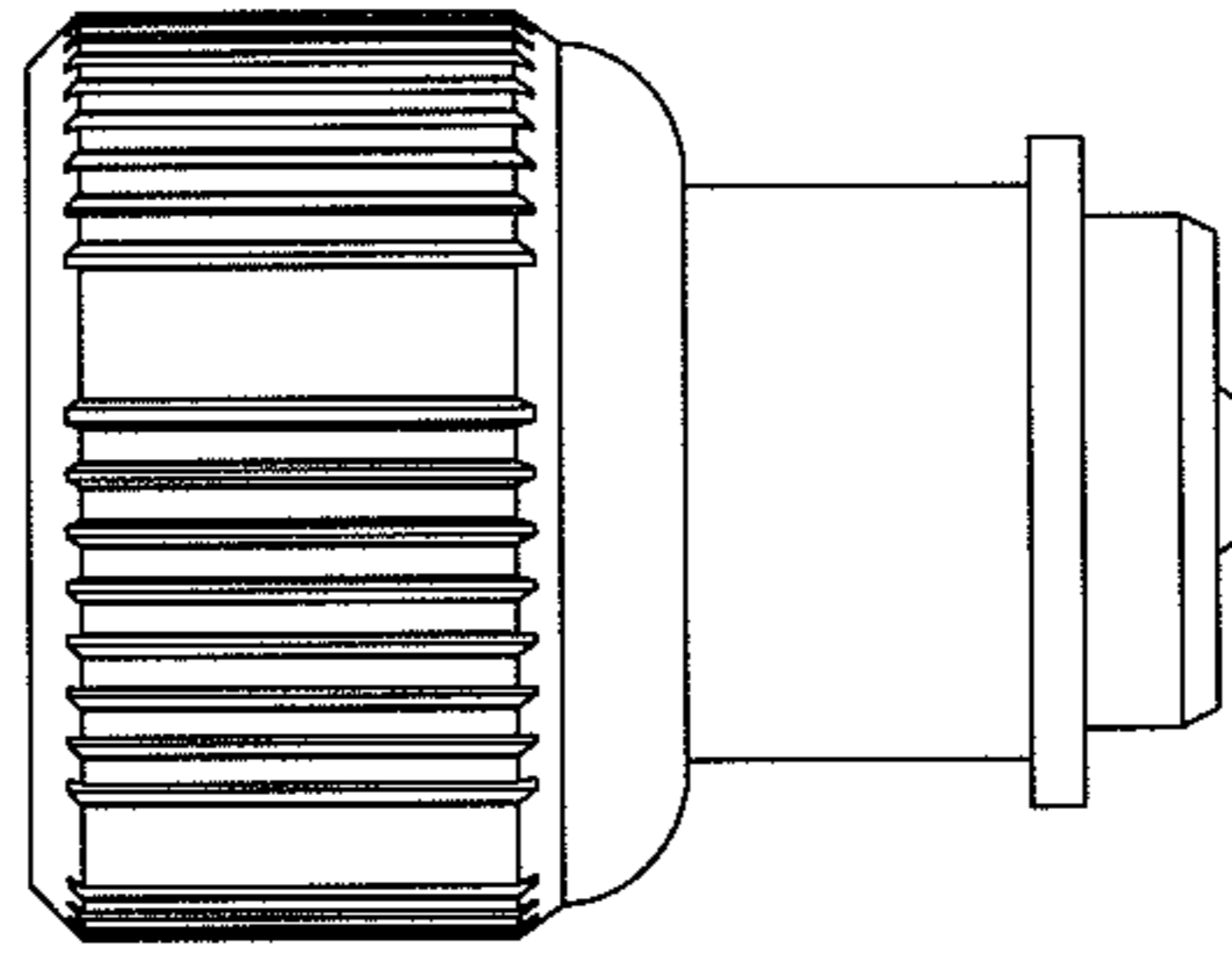


FIG. 2

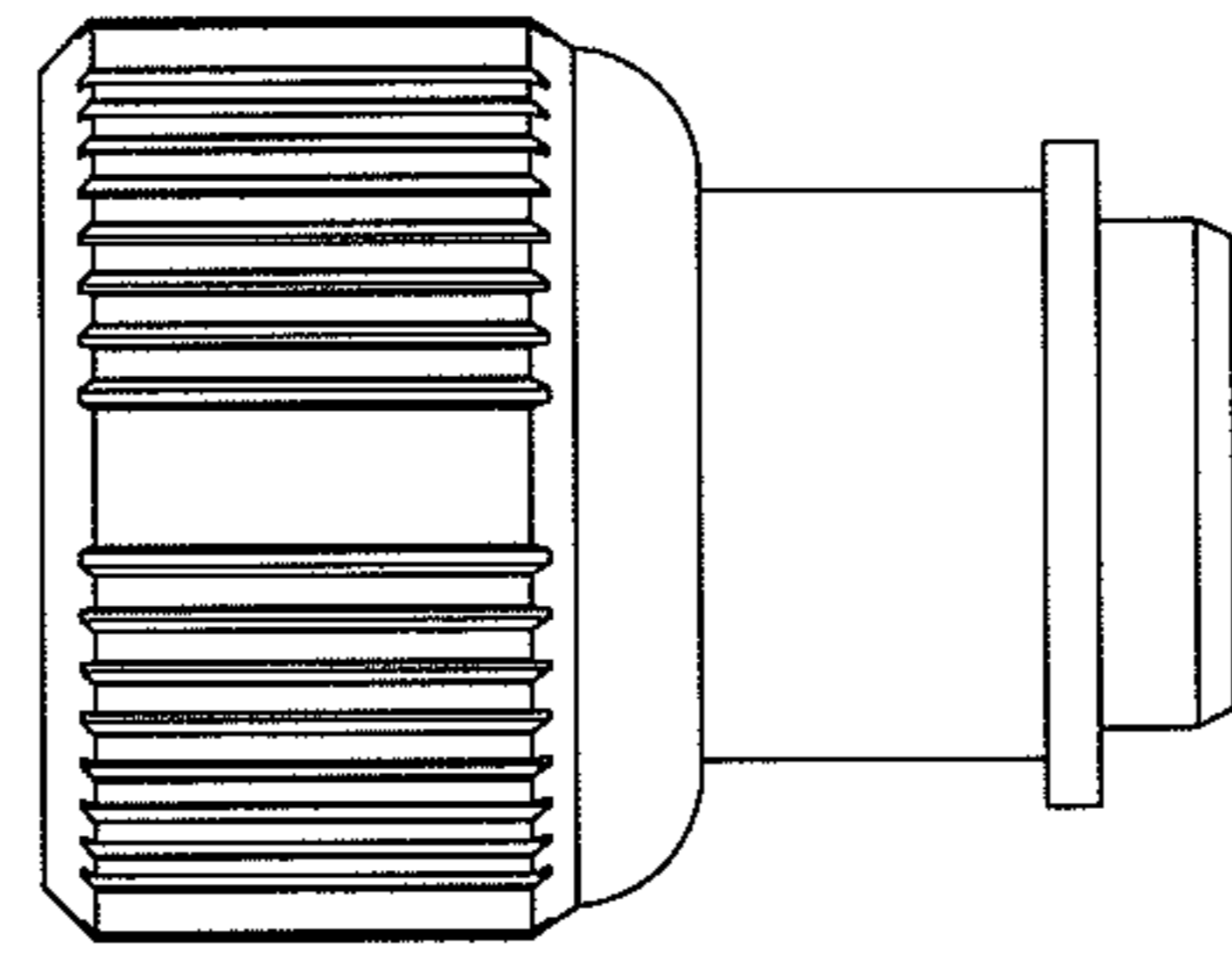


FIG. 1

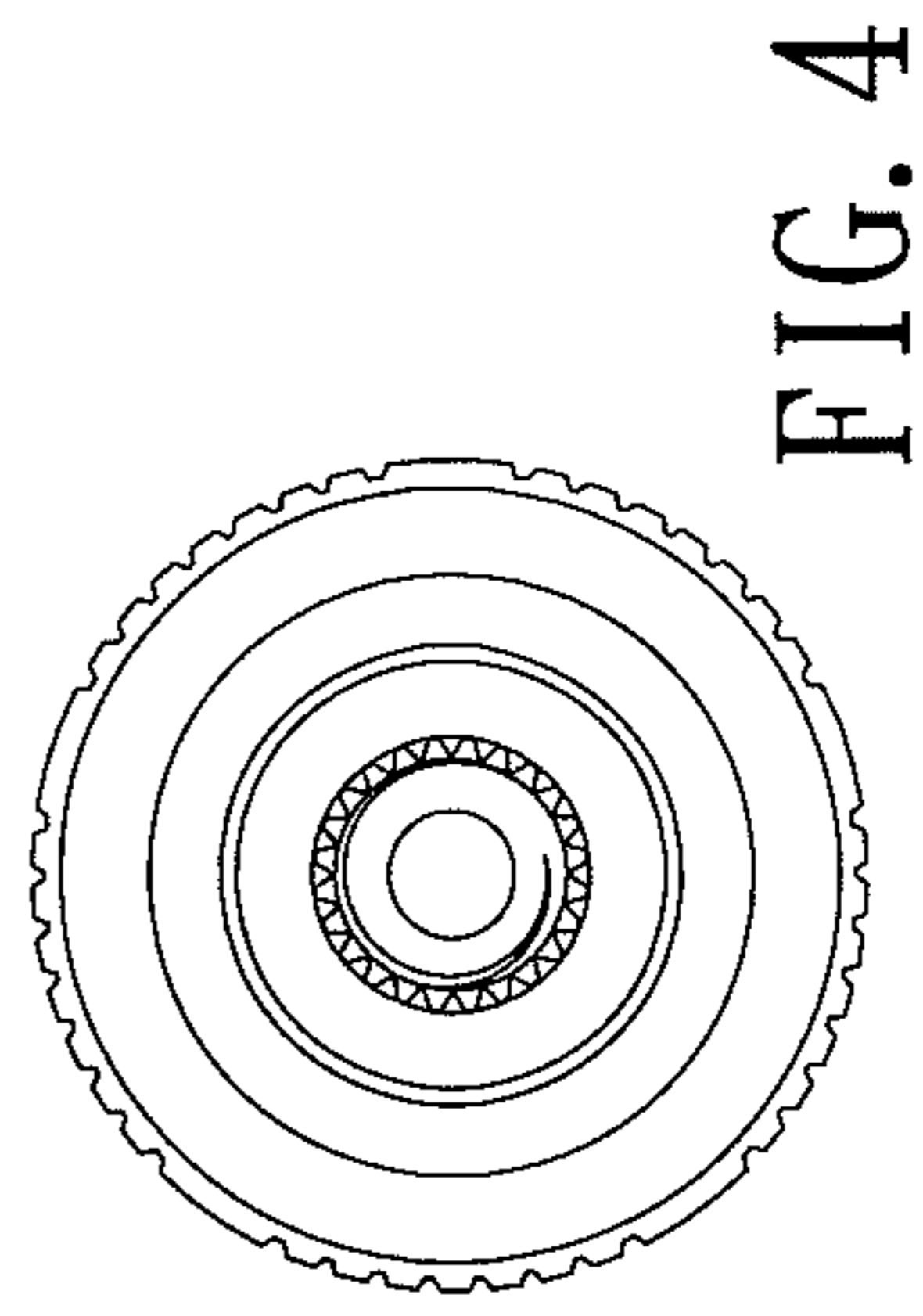


FIG. 4