



US00D681432S

(12) **United States Design Patent**  
**Heindl**

(10) **Patent No.:** **US D681,432 S**  
(45) **Date of Patent:** **\*\* May 7, 2013**

(54) **SHEET PILE CONNECTOR**

(75) Inventor: **Richard Heindl**, Siegsdorf (DE)

(73) Assignee: **Richard Heindl**, Siegsdorf (DE)

(\*\*) Term: **14 Years**

(21) Appl. No.: **29/408,059**

(22) Filed: **Dec. 6, 2011**

(30) **Foreign Application Priority Data**

Jun. 7, 2011 (EM) ..... 001873860

(51) **LOC (9) Cl.** ..... **08-08**

(52) **U.S. Cl.**  
USPC ..... **D8/382**

(58) **Field of Classification Search** ..... D8/382,  
D8/349, 394-395; D25/119, 61; 405/279,  
405/278; 24/573.09, 346, 370

See application file for complete search history.

(56) **References Cited**

**U.S. PATENT DOCUMENTS**

6,282,762 B1 \* 9/2001 Wall ..... 24/573.09  
D517,905 S \* 3/2006 Wall ..... D8/382  
D519,023 S \* 4/2006 Wall ..... D8/382  
D520,350 S \* 5/2006 Wall ..... D8/382

D521,365 S \* 5/2006 Wall ..... D8/382  
D526,888 S \* 8/2006 Heindl ..... D8/382  
D530,190 S \* 10/2006 Wall ..... D8/382  
D541,638 S \* 5/2007 Heindl ..... D8/382  
D541,641 S \* 5/2007 Heindl ..... D8/382  
D541,642 S \* 5/2007 Heindl ..... D8/382  
D543,100 S \* 5/2007 Heindl ..... D8/382  
D543,841 S \* 6/2007 Heindl et al. .... D8/382  
D621,248 S \* 8/2010 Heindl ..... D8/382  
D640,533 S \* 6/2011 Austro ..... D8/382  
8,066,453 B2 \* 11/2011 Heindl ..... 405/274  
D665,658 S \* 8/2012 Heindl ..... D8/382  
8,323,765 B2 \* 12/2012 Heindl ..... 428/99

\* cited by examiner

*Primary Examiner* — Sheryl Lane

(74) *Attorney, Agent, or Firm* — Novak Druce Connolly  
Bove + Quigg LLP

(57) **CLAIM**

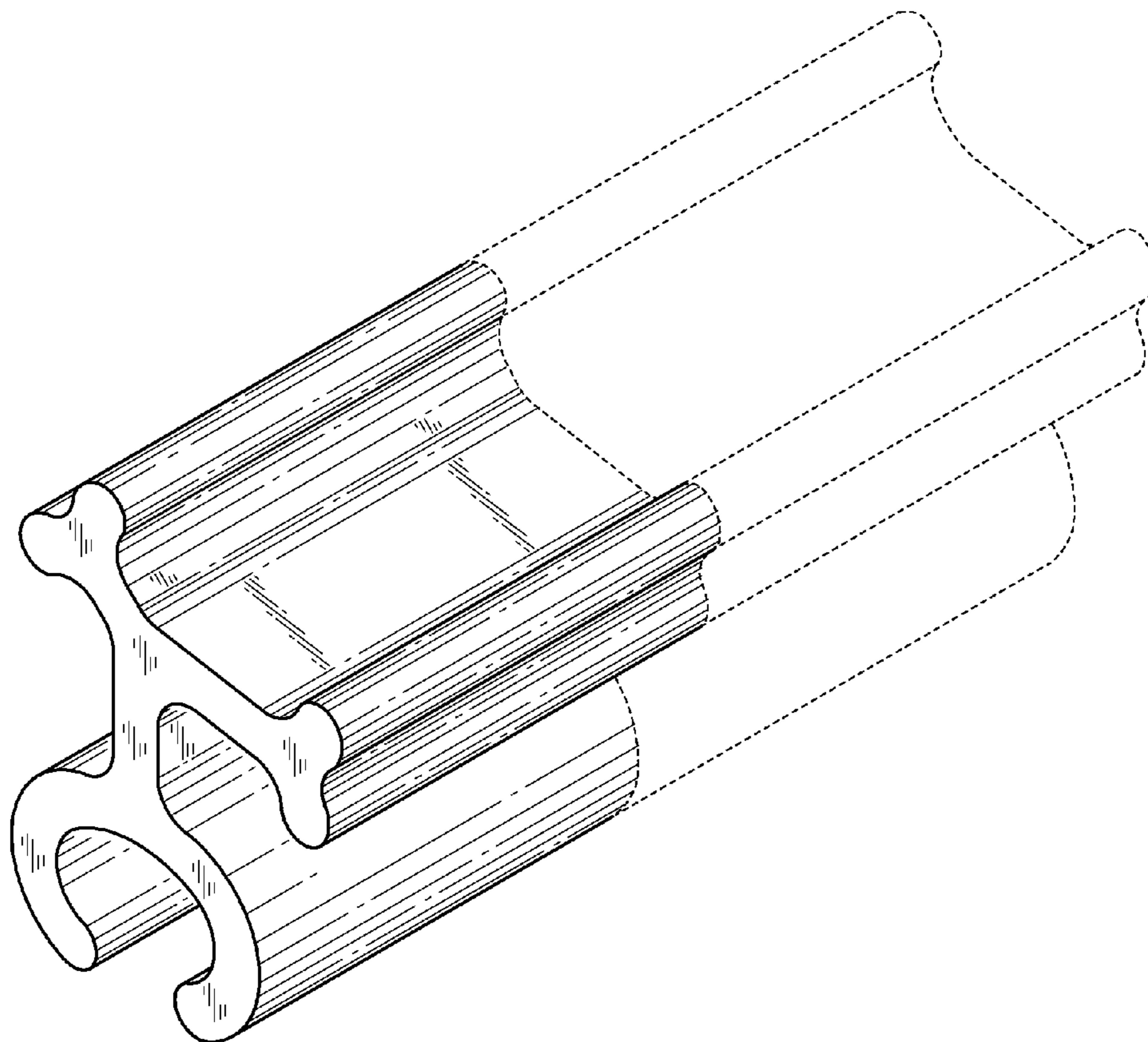
I claim the ornamental design for a sheet pile connector, as shown and described.

**DESCRIPTION**

FIG. 1 is a perspective view of a sheet pile connector; and, FIG. 2 is a front elevation view thereof.

The front and rear of the design are mirror images of one another, and so only the front elevational view is shown.

**1 Claim, 2 Drawing Sheets**



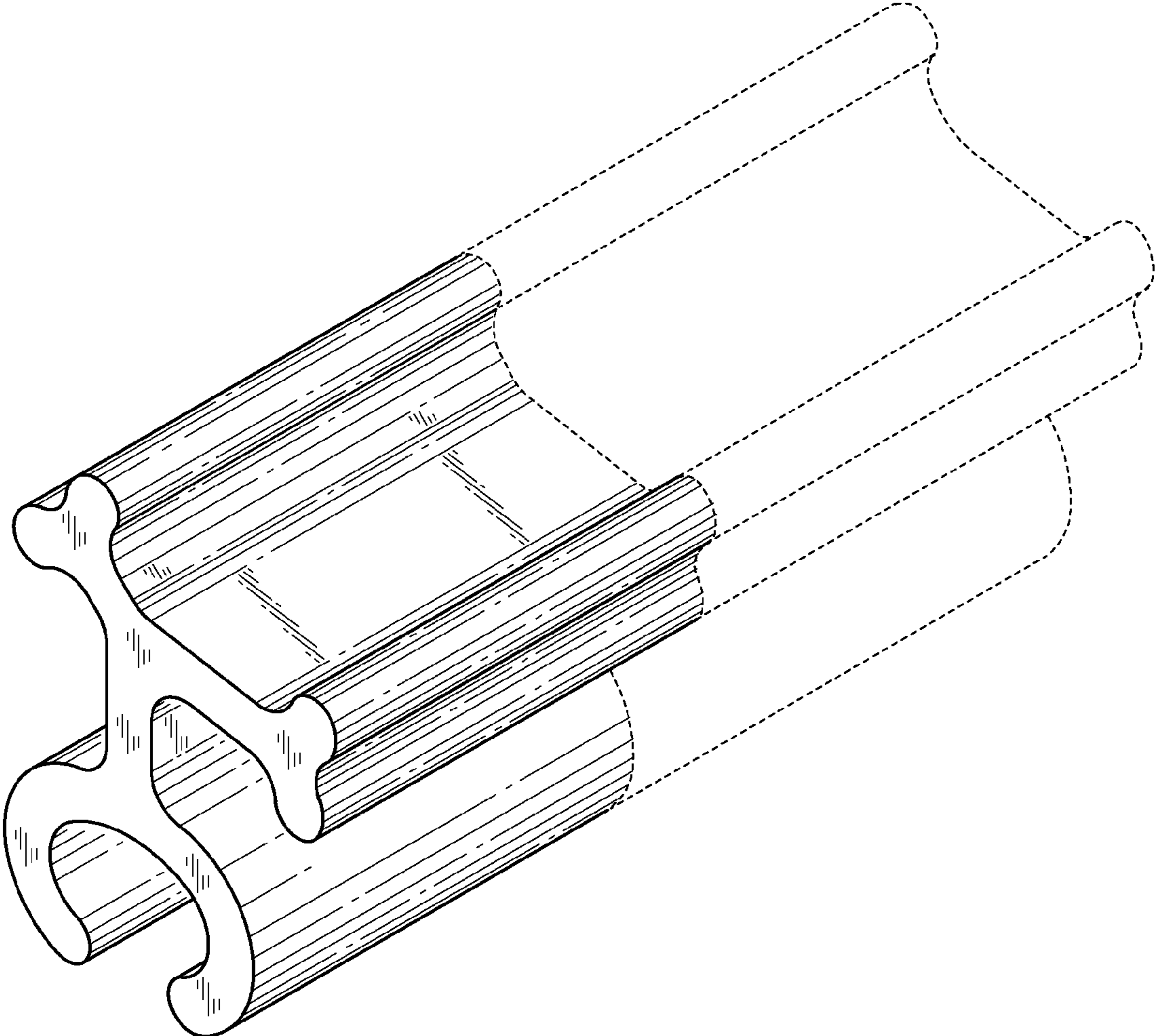


FIG. 1

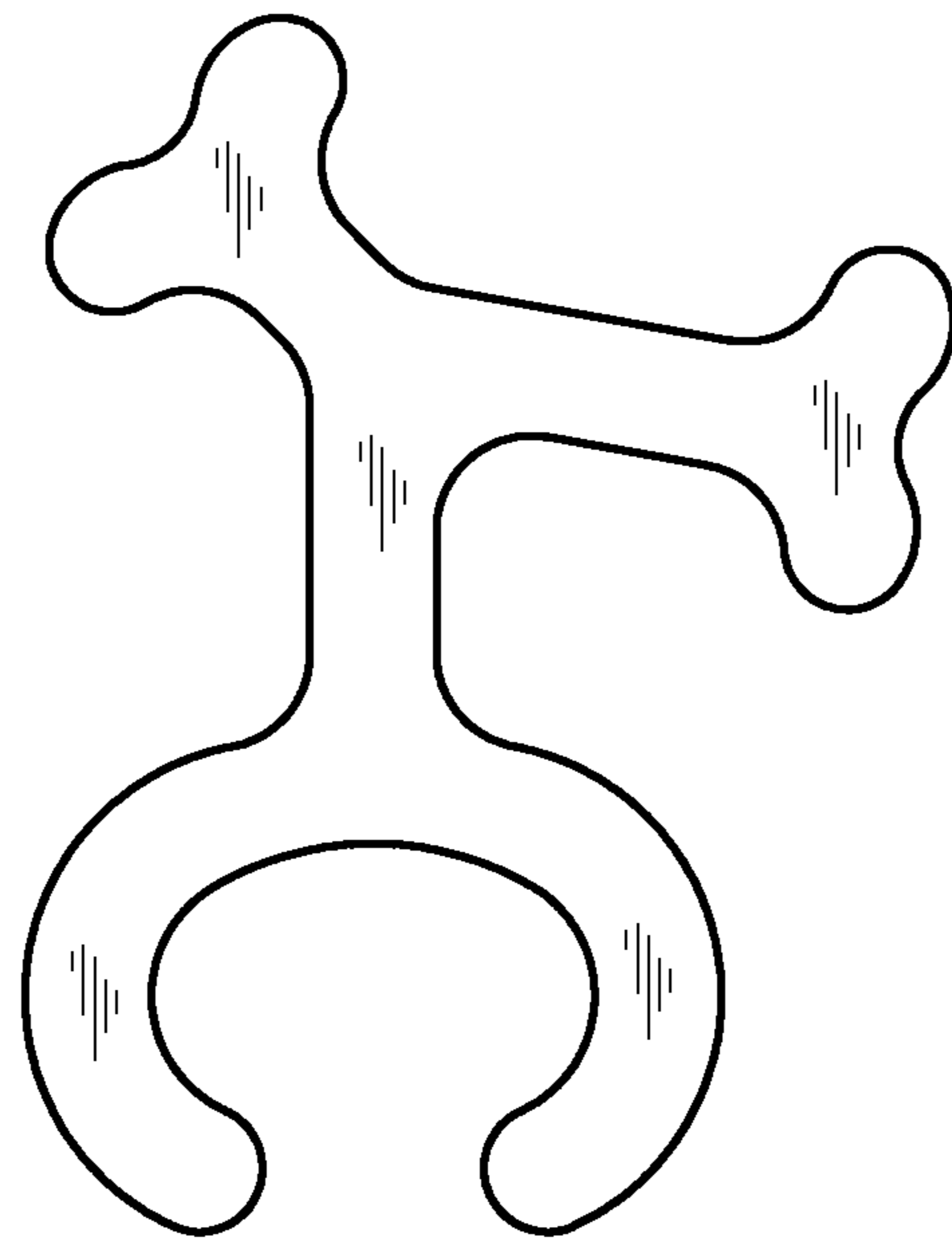


FIG. 2