

US00D681431S

(12) **United States Design Patent**
Heindl

(10) **Patent No.:** **US D681,431 S**
(45) **Date of Patent:** **** May 7, 2013**

(54) **SHEET PILE CONNECTOR**

(75) Inventor: **Richard Heindl**, Siegsdorf (DE)

(73) Assignee: **Richard Heindl**, Siegsdorf (DE)

(**) Term: **14 Years**

(21) Appl. No.: **29/408,057**

(22) Filed: **Dec. 6, 2011**

(30) **Foreign Application Priority Data**

Jun. 7, 2011 (EM) 001873860

(51) **LOC (9) Cl.** **08-08**

(52) **U.S. Cl.**
USPC **D8/382**

(58) **Field of Classification Search** D8/382,
D8/349, 394; D25/119, 61; 405/279, 278;
24/573.09, 346, 370
See application file for complete search history.

(56) **References Cited**

U.S. PATENT DOCUMENTS

D464,738 S *	10/2002	Wall	D25/61
D465,580 S *	11/2002	Wall	D25/61
D472,455 S *	4/2003	Wall	D8/382
D479,798 S *	9/2003	Wall	D8/382
D479,983 S *	9/2003	Wall	D8/382
D517,905 S *	3/2006	Wall	D8/382
D540,660 S *	4/2007	Heindl	D8/382
D541,639 S *	5/2007	Heindl	D8/382
D541,640 S *	5/2007	Heindl	D8/382
D541,641 S *	5/2007	Heindl	D8/382

D542,634 S *	5/2007	Heindl	D8/382
D542,635 S *	5/2007	Heindl	D8/382
D542,636 S *	5/2007	Heindl	D8/382
D542,637 S *	5/2007	Heindl	D8/382
D542,638 S *	5/2007	Heindl	D8/382
D542,639 S *	5/2007	Heindl	D8/382
D542,640 S *	5/2007	Heindl	D8/382
D542,641 S *	5/2007	Heindl	D8/382
D542,643 S *	5/2007	Heindl	D8/382
D543,097 S *	5/2007	Heindl	D8/382
D543,098 S *	5/2007	Heindl	D8/382
D543,100 S *	5/2007	Heindl	D8/382
D543,444 S *	5/2007	Heindl	D8/382
7,413,386 B2 *	8/2008	Heindl et al.	405/279
7,753,623 B2 *	7/2010	Heindl et al.	405/279
D623,930 S *	9/2010	Austro	D8/382
D623,931 S *	9/2010	Austro	D8/382
D624,395 S *	9/2010	Austro	D8/382
D640,535 S *	6/2011	Austro	D8/382
D657,661 S *	4/2012	Cochrane	D8/382

* cited by examiner

Primary Examiner — Sheryl Lane

(74) *Attorney, Agent, or Firm* — Novak Druce Connolly Bove + Quigg LLP

(57) **CLAIM**

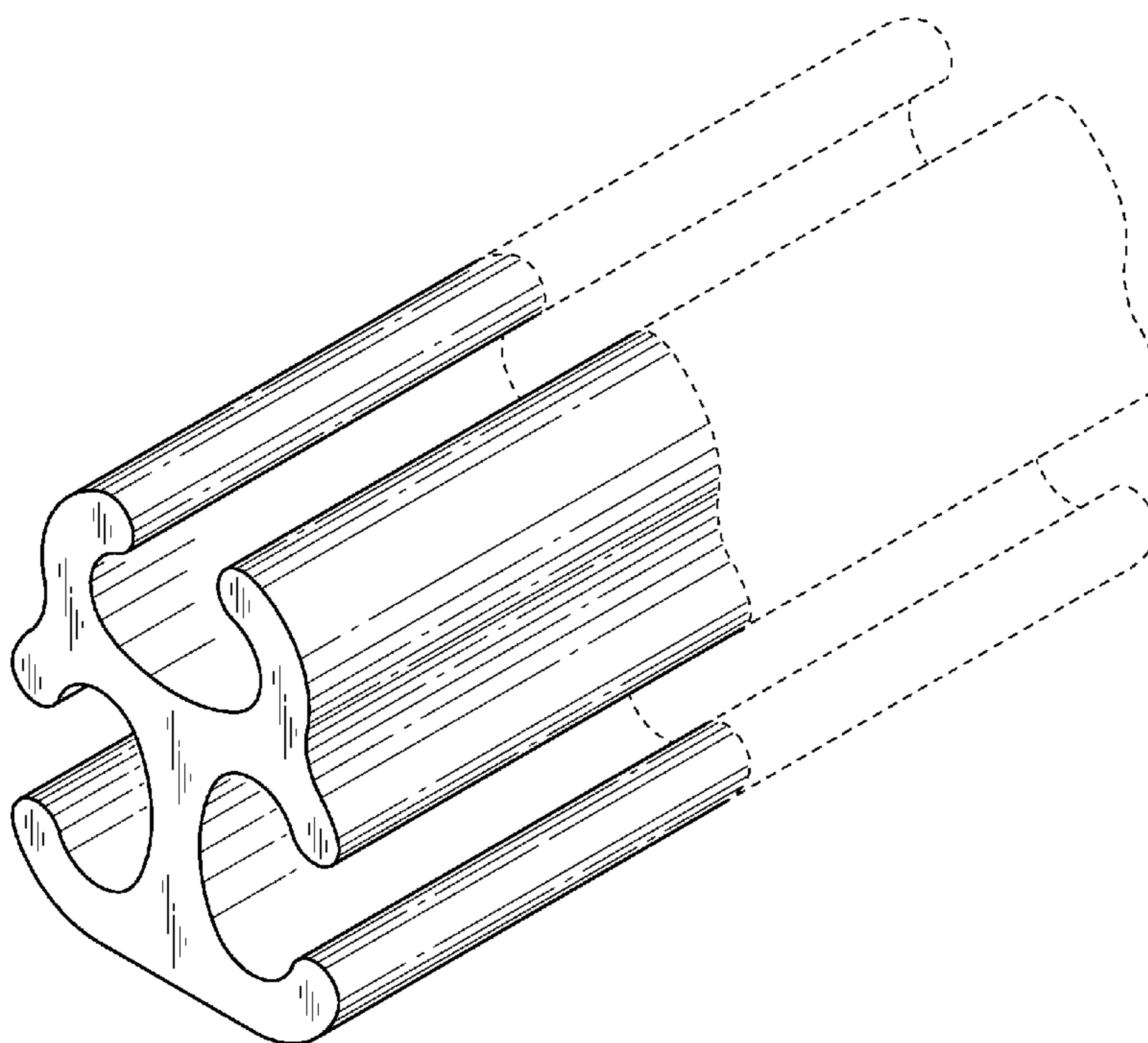
I claim the ornamental design for a sheet pile connector, as shown and described.

DESCRIPTION

FIG. 1 is a perspective view of a sheet pile connector; and, FIG. 2 is a front elevation view thereof.

The front and rear of the design are mirror images of one another, and so only the front elevational view is shown.

1 Claim, 2 Drawing Sheets



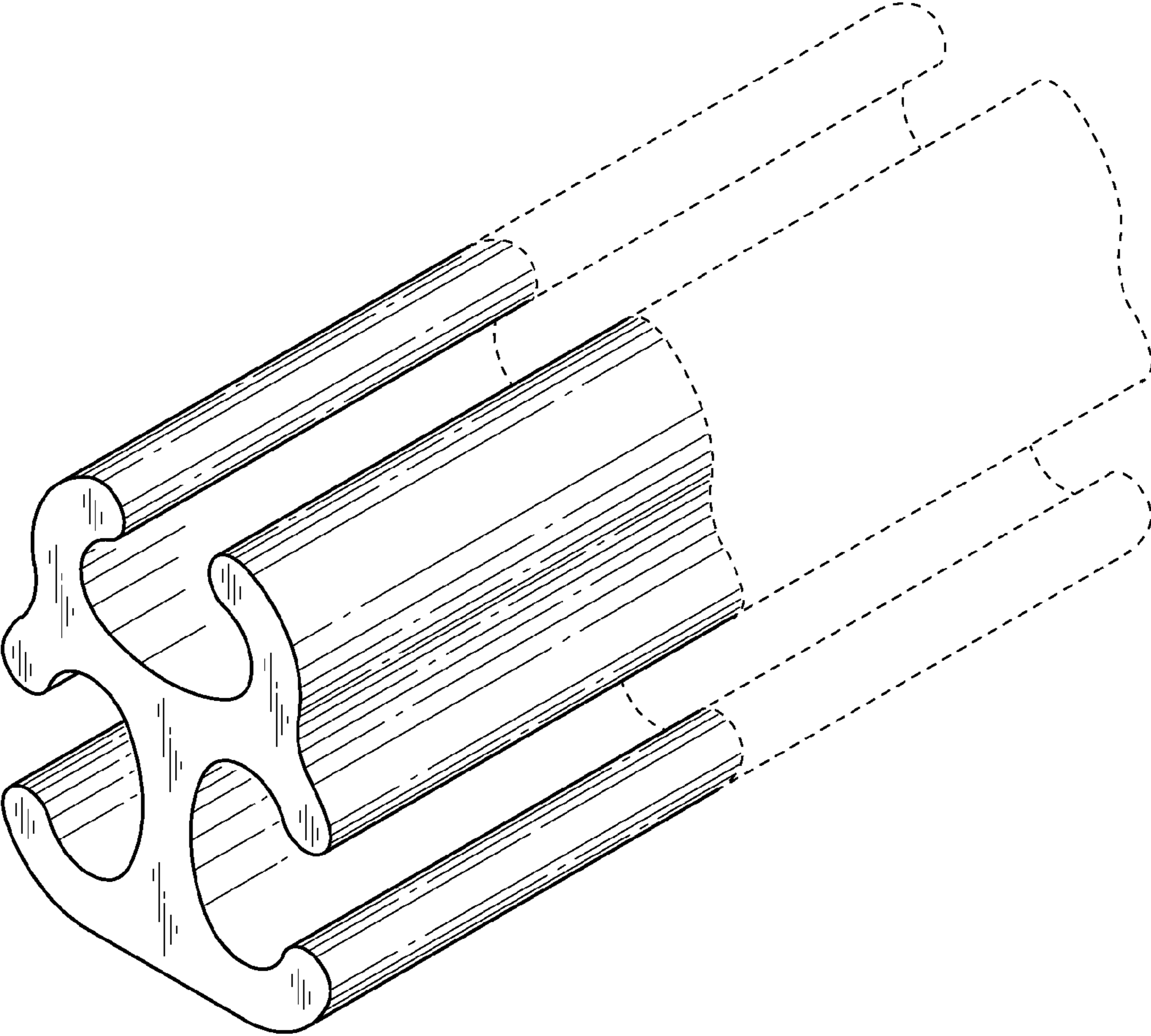


FIG. 1

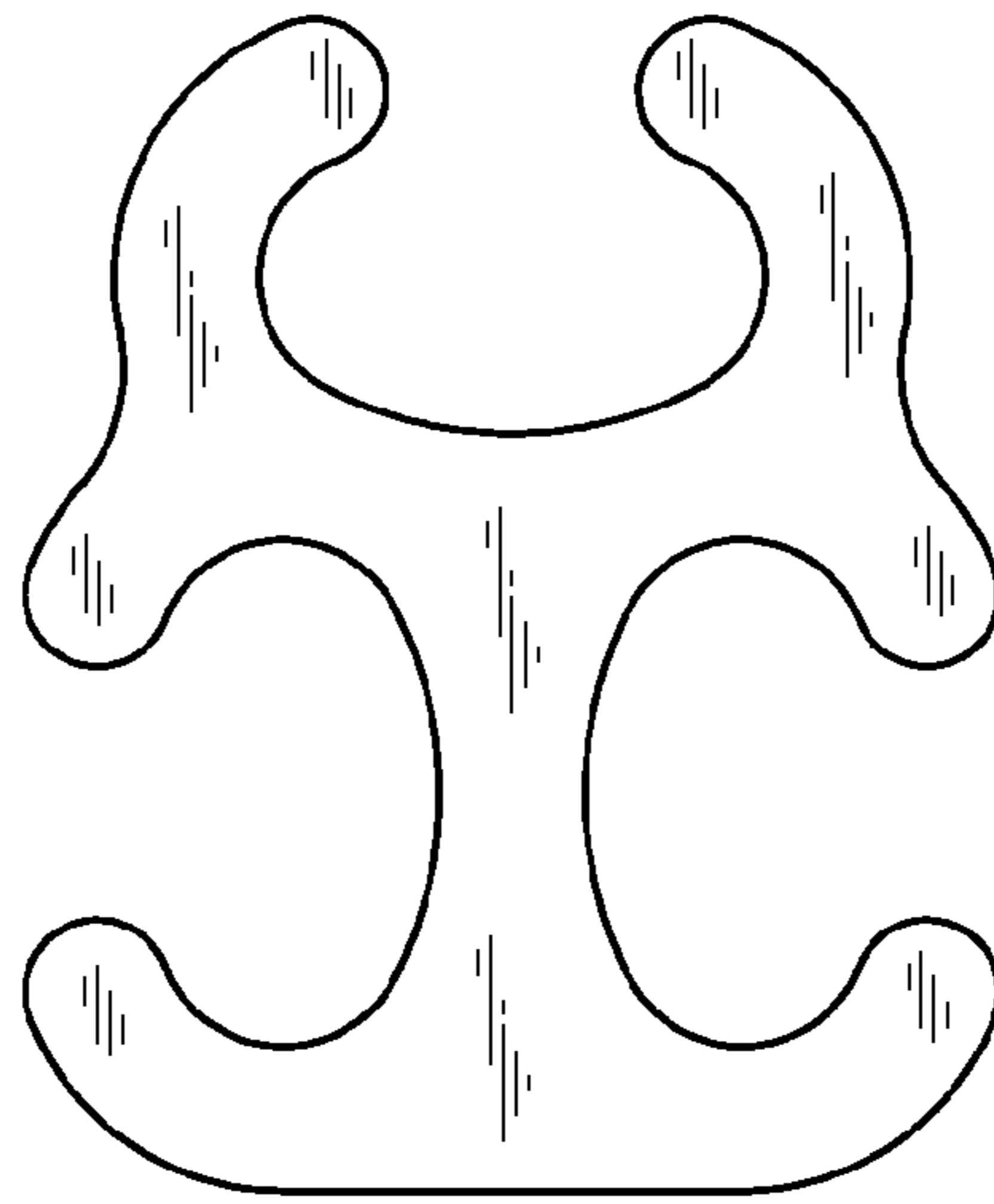


FIG. 2