



US00D681430S

(12) **United States Design Patent**
Heindl

(10) **Patent No.:** **US D681,430 S**

(45) **Date of Patent:** **** May 7, 2013**

(54) **SHEET PILE CONNECTOR**

(75) Inventor: **Richard Heindl**, Siegsdorf (DE)

(73) Assignee: **Richard Heindl**, Siegsdorf (DE)

(**) Term: **14 Years**

(21) Appl. No.: **29/408,056**

(22) Filed: **Dec. 6, 2011**

(30) **Foreign Application Priority Data**

Jun. 7, 2011 (EM) 001873860

(51) **LOC (9) Cl.** **08-08**

(52) **U.S. Cl.**
USPC **D8/382**

(58) **Field of Classification Search** D8/382,
D8/349, 394-394; D25/119, 61; 405/279,
405/278; 24/573.09, 346, 370
See application file for complete search history.

(56) **References Cited**

U.S. PATENT DOCUMENTS

D479,798 S * 9/2003 Wall D8/382
D479,983 S * 9/2003 Wall D8/382

D517,905 S * 3/2006 Wall D8/382
D542,643 S * 5/2007 Heindl D8/382
D543,100 S * 5/2007 Heindl D8/382
7,413,386 B2 * 8/2008 Heindl et al. 405/279
D623,930 S * 9/2010 Austro D8/382
D623,931 S * 9/2010 Austro D8/382
D640,535 S * 6/2011 Austro D8/382
D657,661 S * 4/2012 Cochrane D8/382

* cited by examiner

Primary Examiner — Sheryl Lane

(74) *Attorney, Agent, or Firm* — Novak Druce Connolly
Bove + Quigg LLP

(57) **CLAIM**

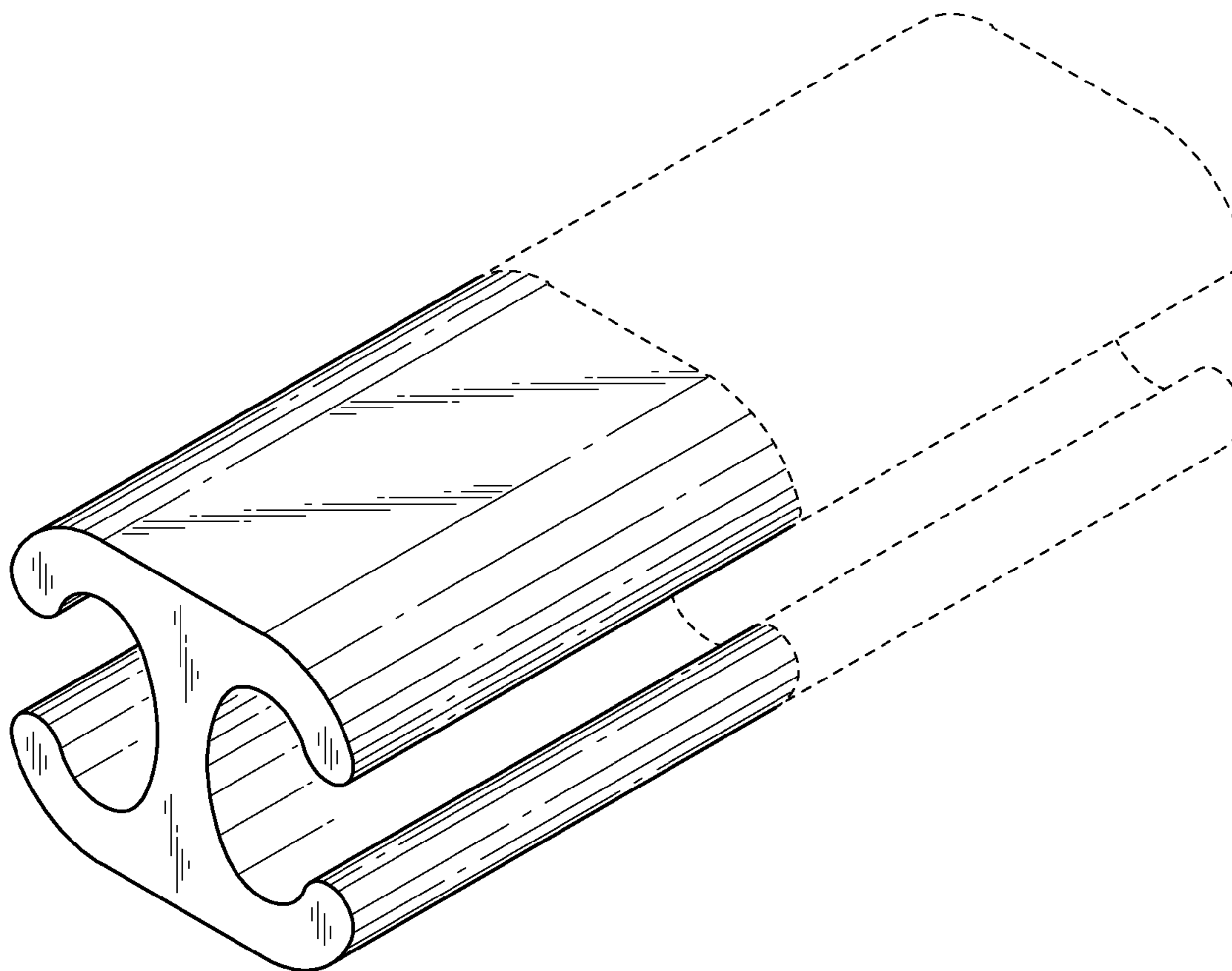
I claim the ornamental design for a sheet pile connector, as shown and described.

DESCRIPTION

FIG. 1 is a perspective view of a sheet pile connector; and, FIG. 2 is a front elevation view thereof.

The front and rear of the design are mirror images of one another, and so only the front elevational view is shown.

1 Claim, 2 Drawing Sheets



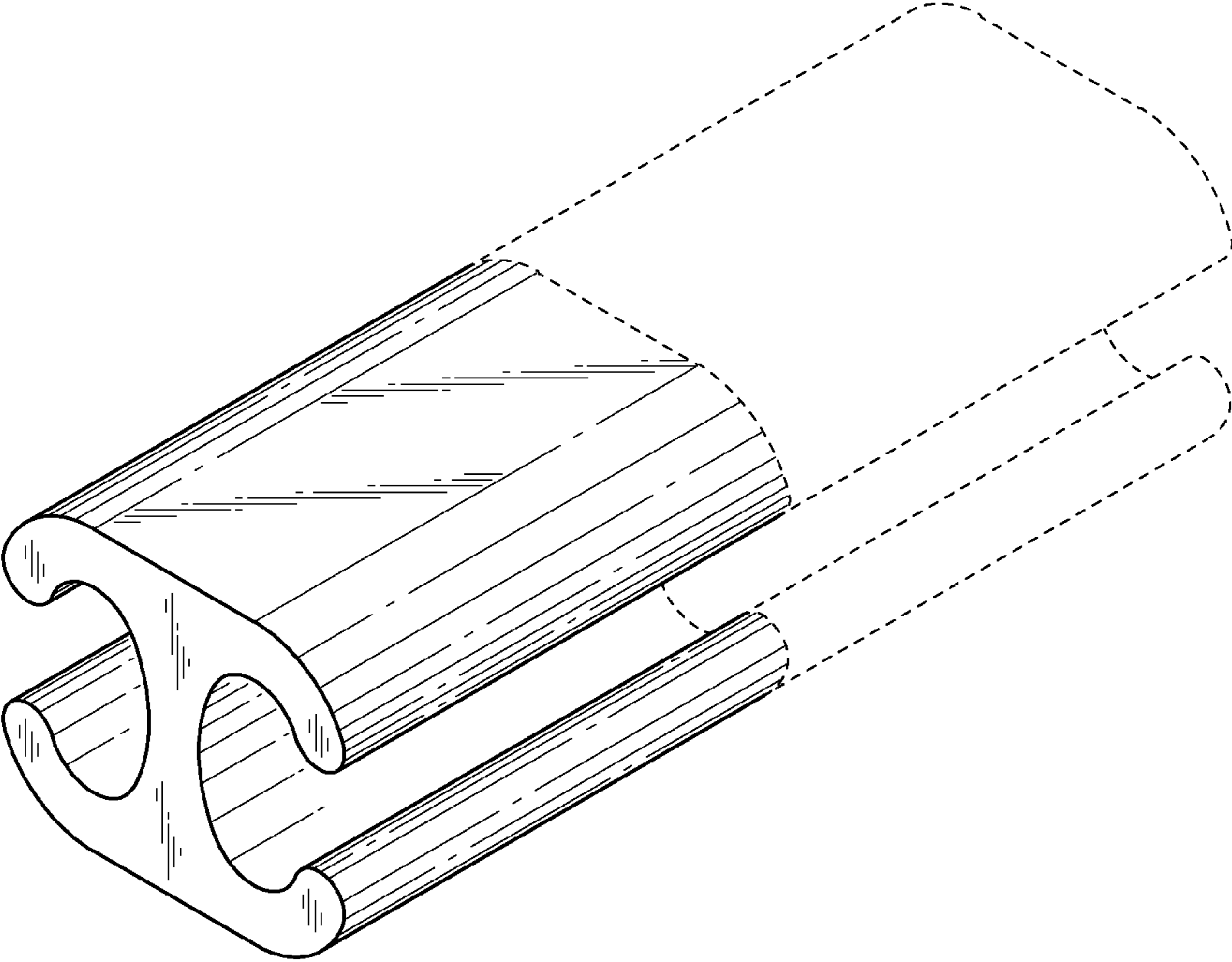


FIG. 1

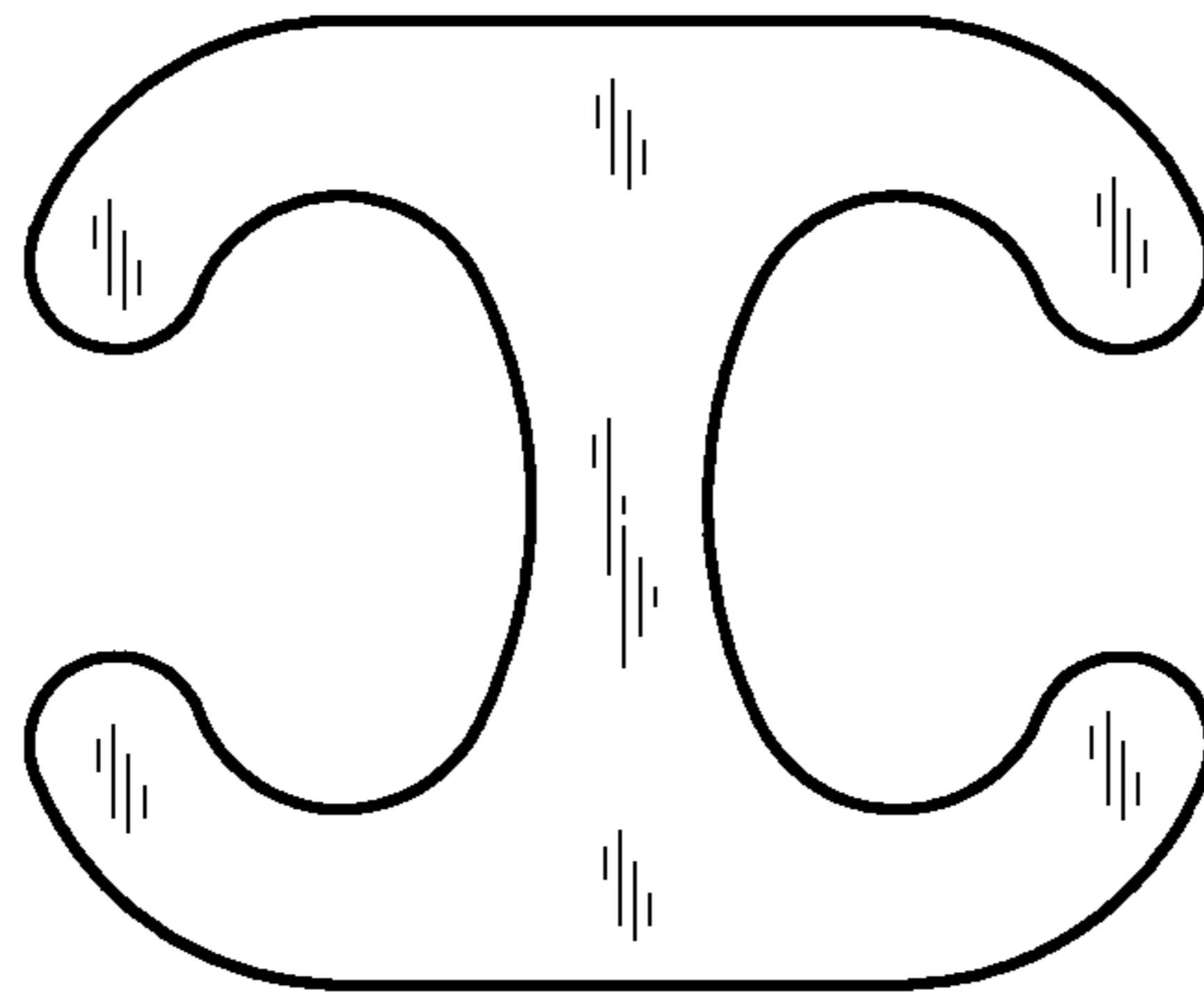


FIG. 2