



US00D681429S

(12) **United States Design Patent**  
**Heindl**

(10) **Patent No.:** **US D681,429 S**

(45) **Date of Patent:** **\*\* May 7, 2013**

(54) **SHEET PILE CONNECTOR**

(75) Inventor: **Richard Heindl**, Siegsdorf (DE)

(73) Assignee: **Richard Heindl**, Siegsdorf (DE)

(\*\*) Term: **14 Years**

(21) Appl. No.: **29/401,056**

(22) Filed: **Sep. 6, 2011**

(30) **Foreign Application Priority Data**

Mar. 7, 2011 (EM) ..... 001831777

(51) **LOC (9) Cl.** ..... **08-08**

(52) **U.S. Cl.**  
USPC ..... **D8/382**

(58) **Field of Classification Search** ..... D8/382,  
D8/367, 394-395; D25/119, 61, 121, 126;  
405/278-279, 231, 252.1; 24/370, 346, 573.09

See application file for complete search history.

(56) **References Cited**

U.S. PATENT DOCUMENTS

5,437,520	A *	8/1995	Cherry et al.	405/279
D517,905	S *	3/2006	Wall	D8/382
D530,190	S *	10/2006	Wall	D8/382
D542,641	S *	5/2007	Heindl	D8/382
D623,930	S *	9/2010	Austro	D8/382
D623,931	S *	9/2010	Austro	D8/382
D624,395	S *	9/2010	Austro	D8/382
2002/0102131	A1 *	8/2002	Wall	403/363

\* cited by examiner

*Primary Examiner* — Sheryl Lane

(74) *Attorney, Agent, or Firm* — Novak Druce Connolly  
Bove + Quigg LLP

(57) **CLAIM**

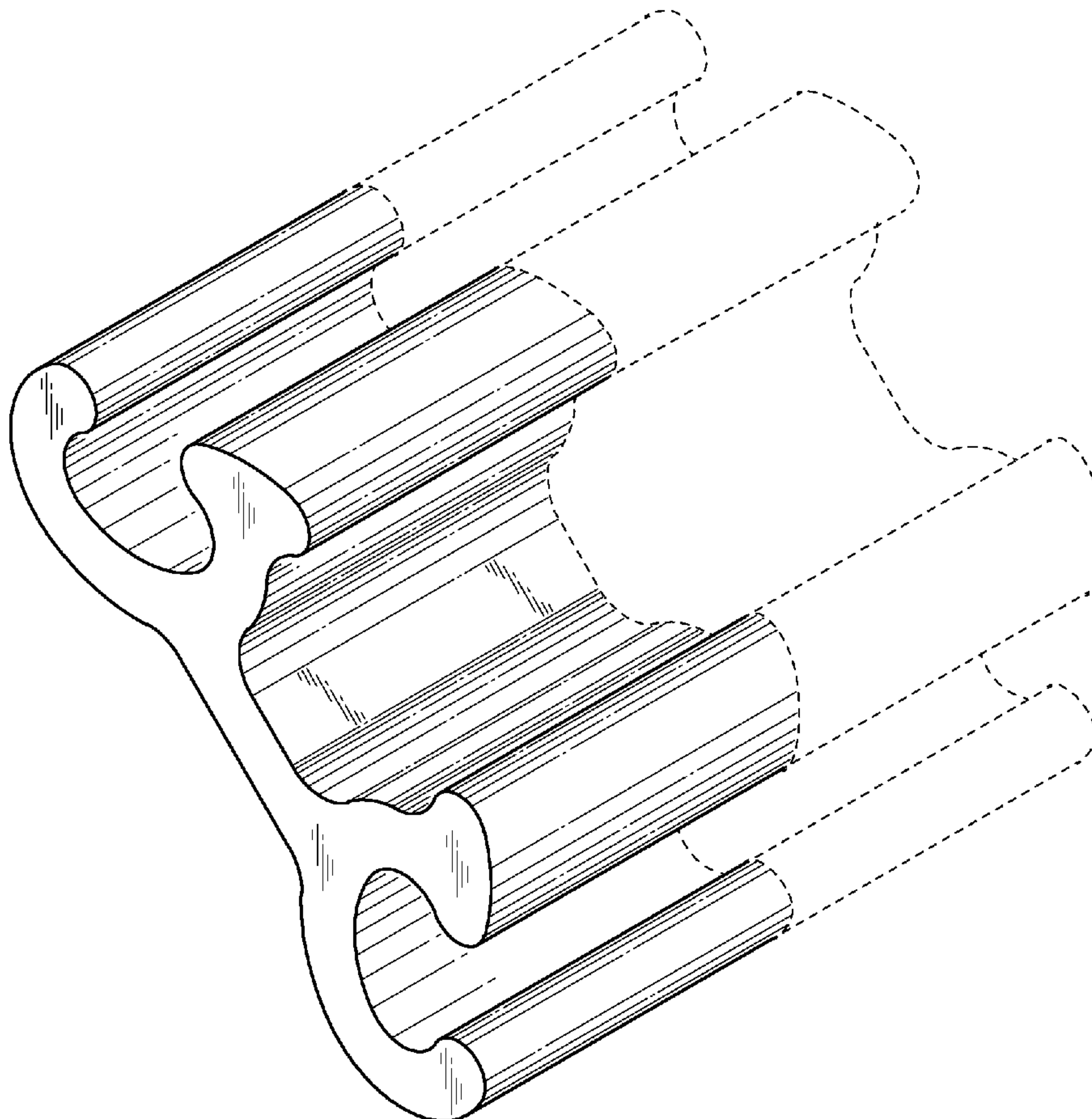
I claim the ornamental design for a sheet pile connector, as shown and described.

**DESCRIPTION**

FIG. 1 is a perspective view of a sheet pile connector; and, FIG. 2 is a front elevation view thereof.

The front and rear of the design are mirror images of one another, and so only the front elevation view is shown. The elements shown in broken lines show portions of the article and form no part of the claimed design.

**1 Claim, 2 Drawing Sheets**



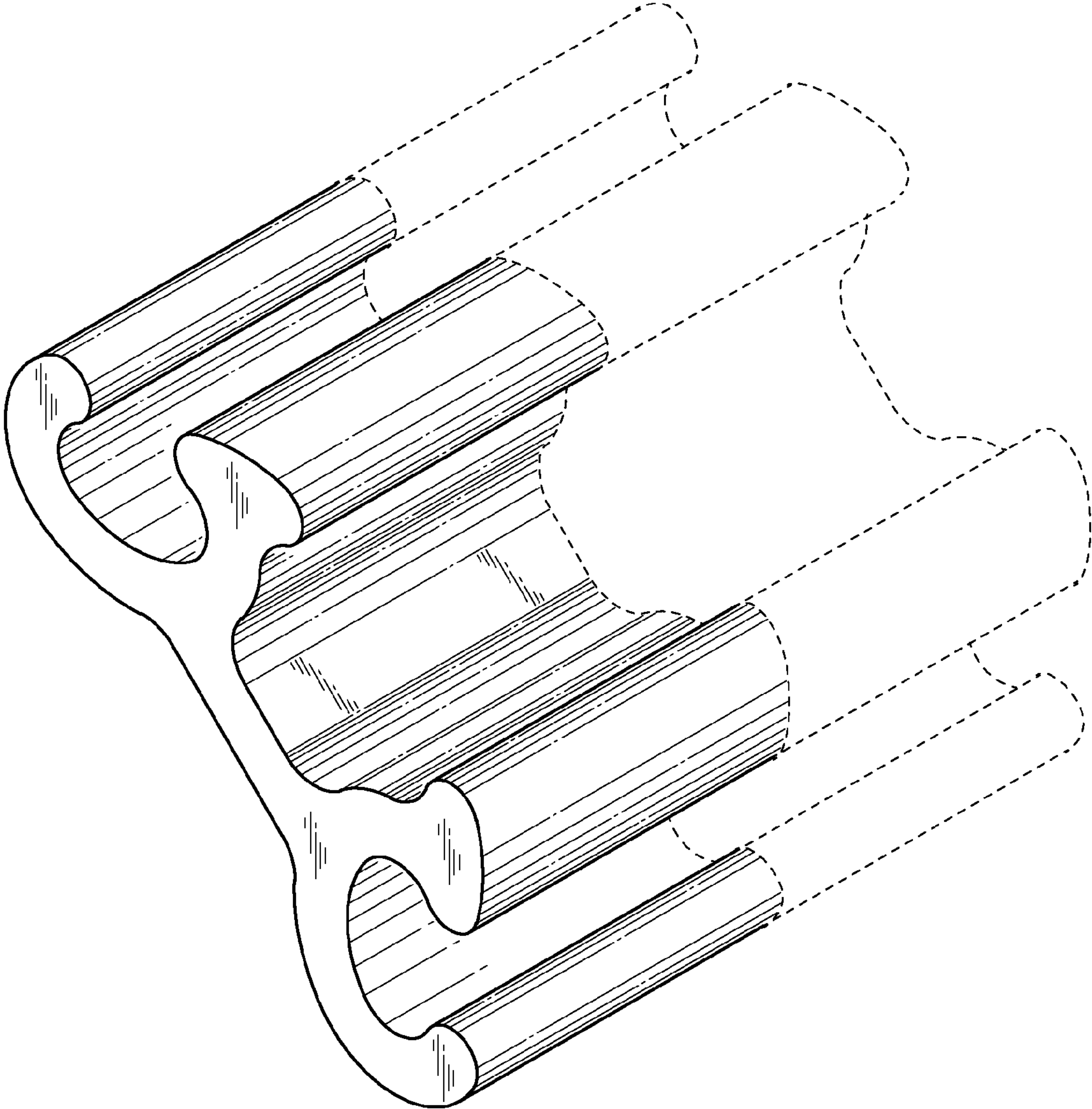


FIG. 1

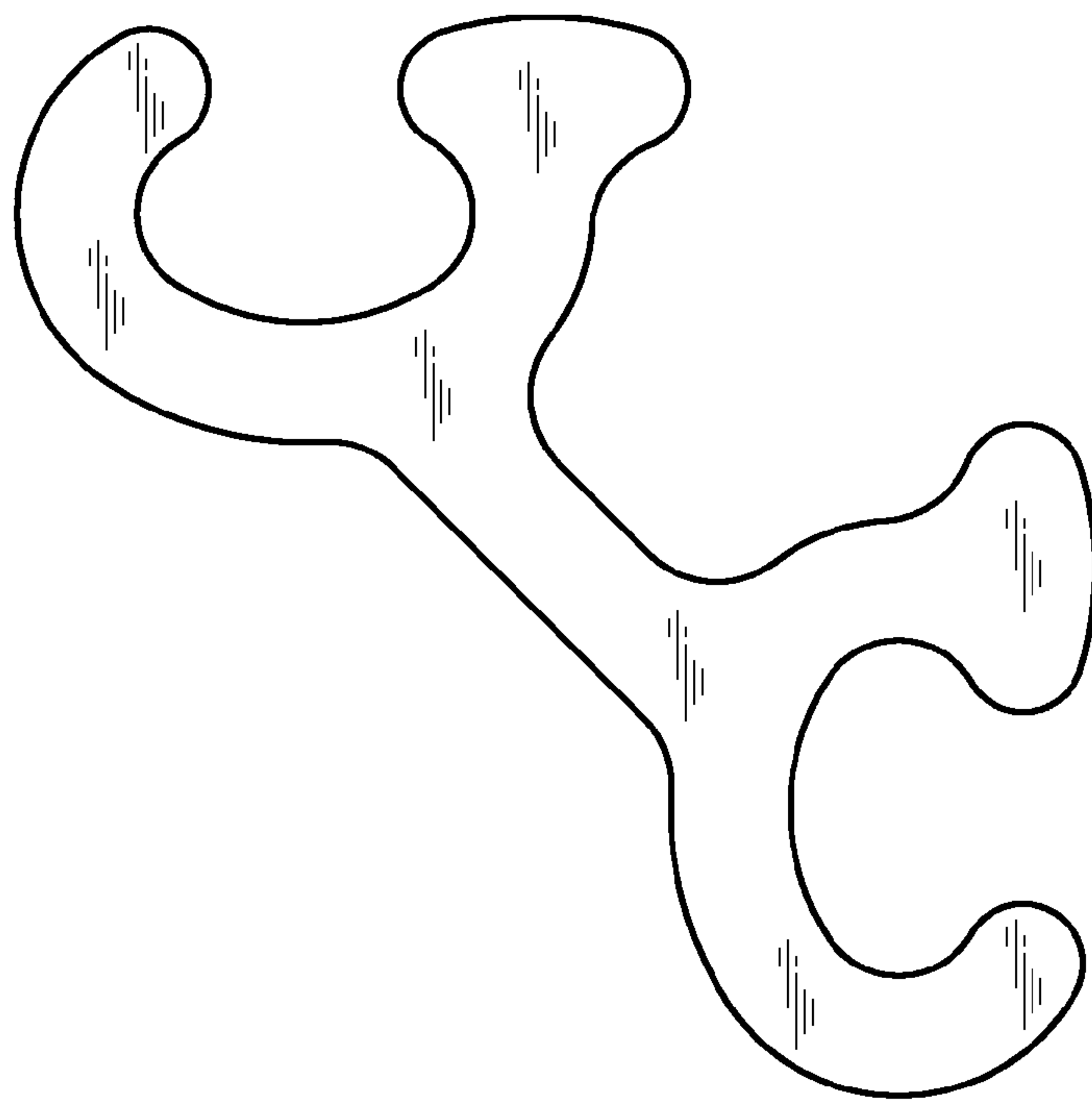


FIG. 2