



US00D681427S

(12) **United States Design Patent**  
**Heindl**

(10) **Patent No.:** **US D681,427 S**

(45) **Date of Patent:** **\*\* May 7, 2013**

(54) **SHEET PILE CONNECTOR**

(75) Inventor: **Richard Heindl**, Siegsdorf (DE)

(73) Assignee: **Richard Heindl**, Siegsdorf (DE)

(\*\*) Term: **14 Years**

(21) Appl. No.: **29/401,047**

(22) Filed: **Sep. 6, 2011**

(30) **Foreign Application Priority Data**

Mar. 7, 2011 (EM) ..... 001831777

(51) **LOC (9) Cl.** ..... **08-08**

(52) **U.S. Cl.**  
USPC ..... **D8/382**

(58) **Field of Classification Search** ..... D8/382,  
D8/367, 394-395; D25/119, 61, 121, 126;  
405/278-279, 231, 252.1; 24/370, 346, 573.09

See application file for complete search history.

(56) **References Cited**

U.S. PATENT DOCUMENTS

2,128,428	A *	8/1938	Murray, Jr. ....	405/278
5,921,716	A *	7/1999	Wickberg et al. ....	405/278
D471,794	S *	3/2003	Wall .....	D8/382
D626,826	S *	11/2010	Austro .....	D8/382

\* cited by examiner

*Primary Examiner* — Sheryl Lane

(74) *Attorney, Agent, or Firm* — Novak Druce Connolly  
Bove + Quigg LLP

(57) **CLAIM**

I claim the ornamental design for a sheet pile connector, as shown and described.

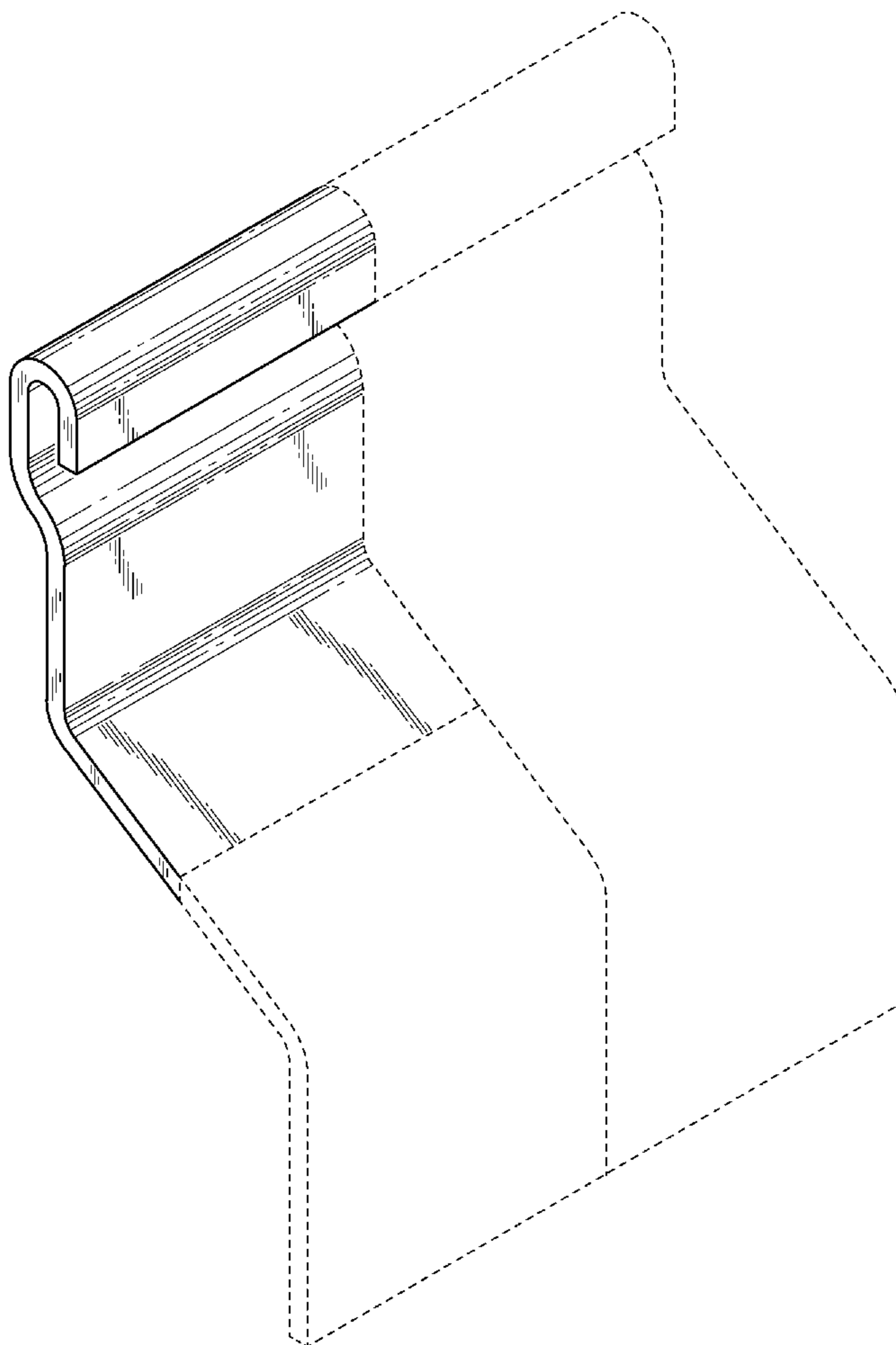
**DESCRIPTION**

FIG. 1 is a perspective view of a sheet pile connector; and, FIG. 2 is a front elevation view thereof.

The front and rear of the design are mirror images of one another, and so only the front elevation view is shown.

The elements shown in broken lines show portions of the article and form no part of the claimed design.

**1 Claim, 2 Drawing Sheets**



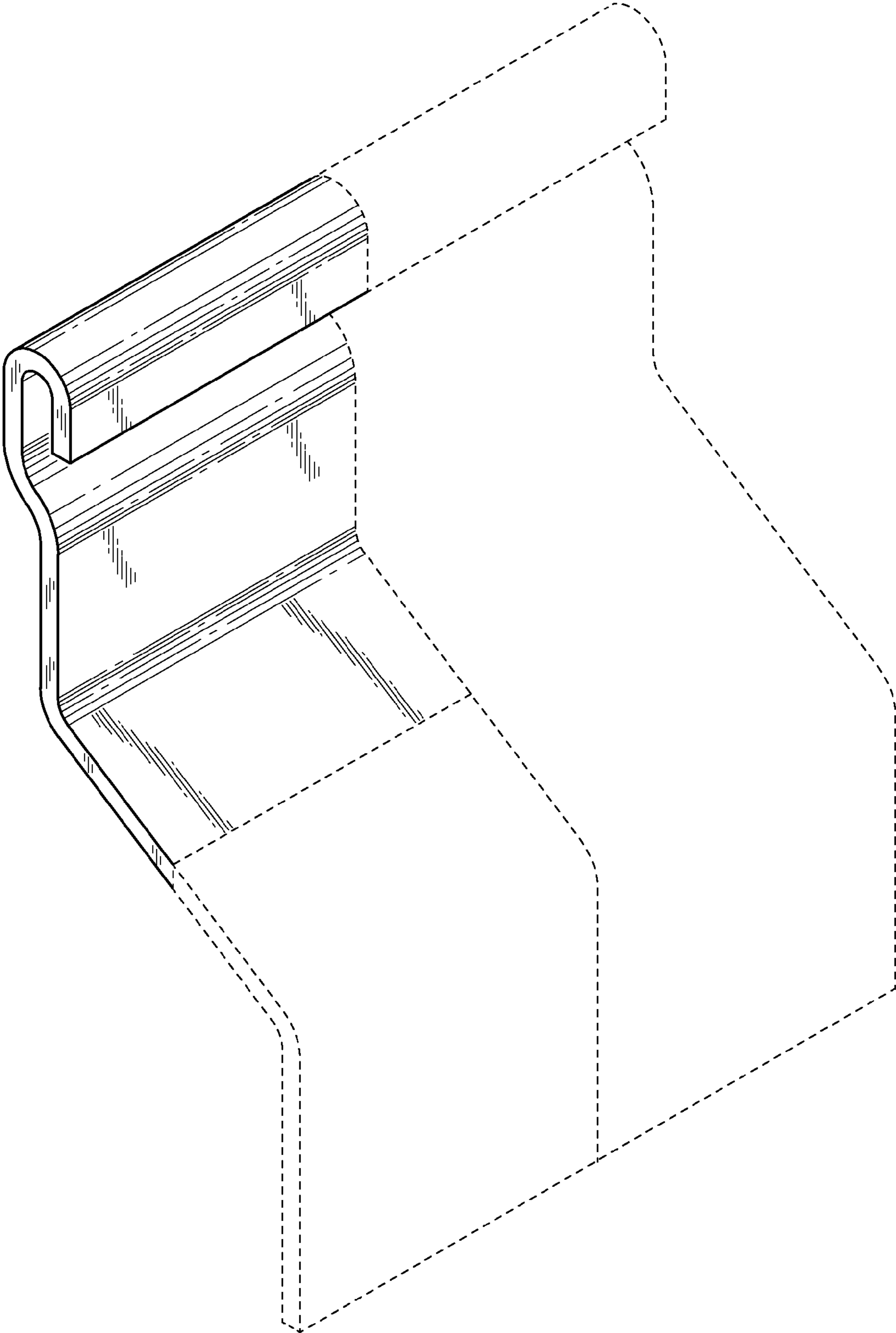


FIG. 1

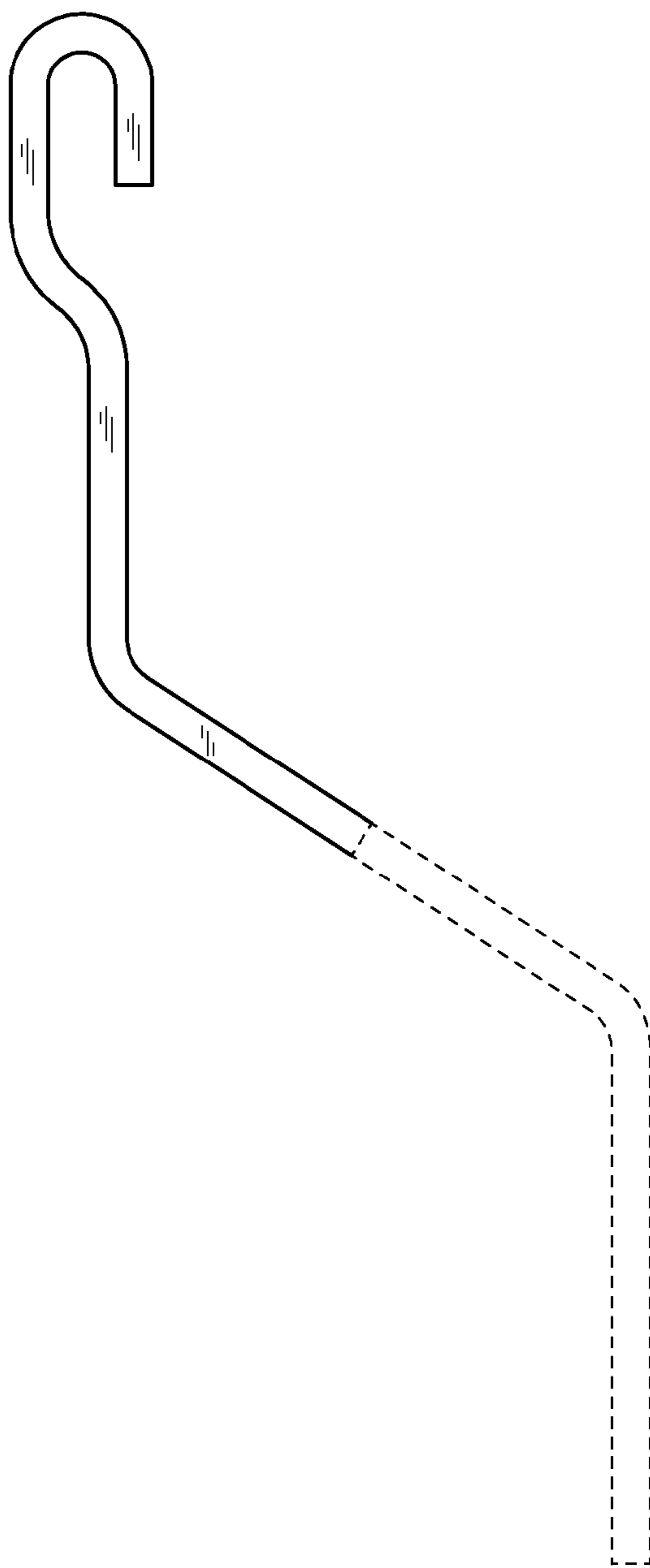


FIG. 2