



US00D681426S

(12) **United States Design Patent**
Heindl

(10) **Patent No.:** **US D681,426 S**

(45) **Date of Patent:** **** May 7, 2013**

(54) **SHEET PILE CONNECTOR**

(75) Inventor: **Richard Heindl**, Siegsdorf (DE)

(73) Assignee: **Richard Heindl**, Siegsdorf (DE)

(**) Term: **14 Years**

(21) Appl. No.: **29/401,045**

(22) Filed: **Sep. 6, 2011**

(30) **Foreign Application Priority Data**

Mar. 7, 2011 (EM) 001831777

(51) **LOC (9) Cl.** **08-08**

(52) **U.S. Cl.**
USPC **D8/382**

(58) **Field of Classification Search** D8/382,
D8/367, 394-395; D25/119, 61, 121, 126;
405/278-279, 231, 252.1; 24/370, 346, 573.09

See application file for complete search history.

(56) **References Cited**

U.S. PATENT DOCUMENTS

D465,288 S *	11/2002	Wall	D25/61
D471,794 S *	3/2003	Wall	D8/382
D521,364 S *	5/2006	Wall	D8/382
D626,828 S *	11/2010	Austro	D8/382
8,047,745 B2 *	11/2011	Heindl	405/279

* cited by examiner

Primary Examiner — Sheryl Lane

(74) *Attorney, Agent, or Firm* — Novak Druce Connolly
Bove + Quigg LLP

(57) **CLAIM**

I claim the ornamental design for a sheet pile connector, as shown and described.

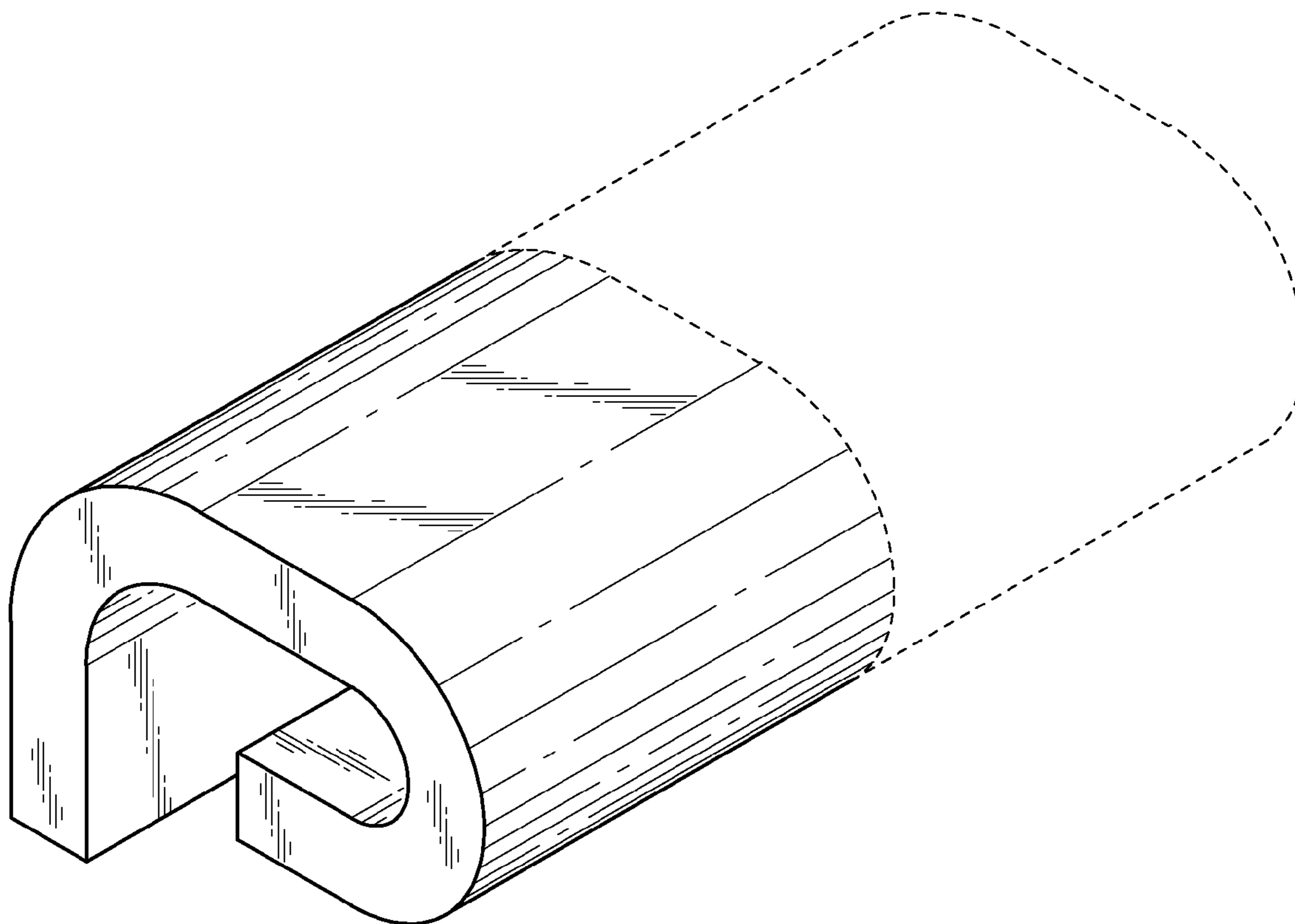
DESCRIPTION

FIG. 1 is a perspective view of a sheet pile connector; and, FIG. 2 is a front elevation view thereof.

The front and rear of the design are mirror images of one another, and so only the front elevation view is shown.

The elements shown in broken lines show portions of the article and form no part of the claimed design.

1 Claim, 2 Drawing Sheets



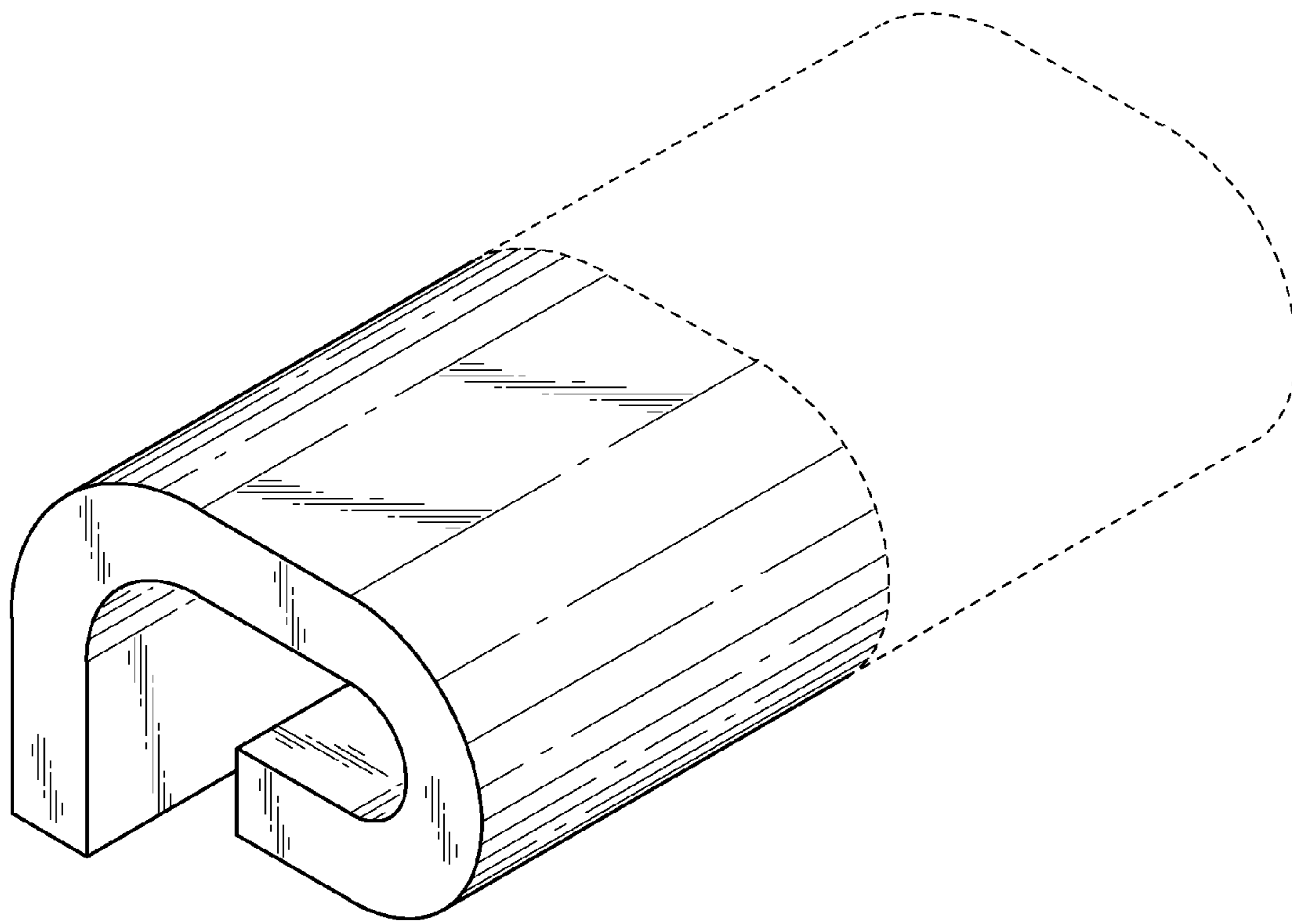


FIG. 1

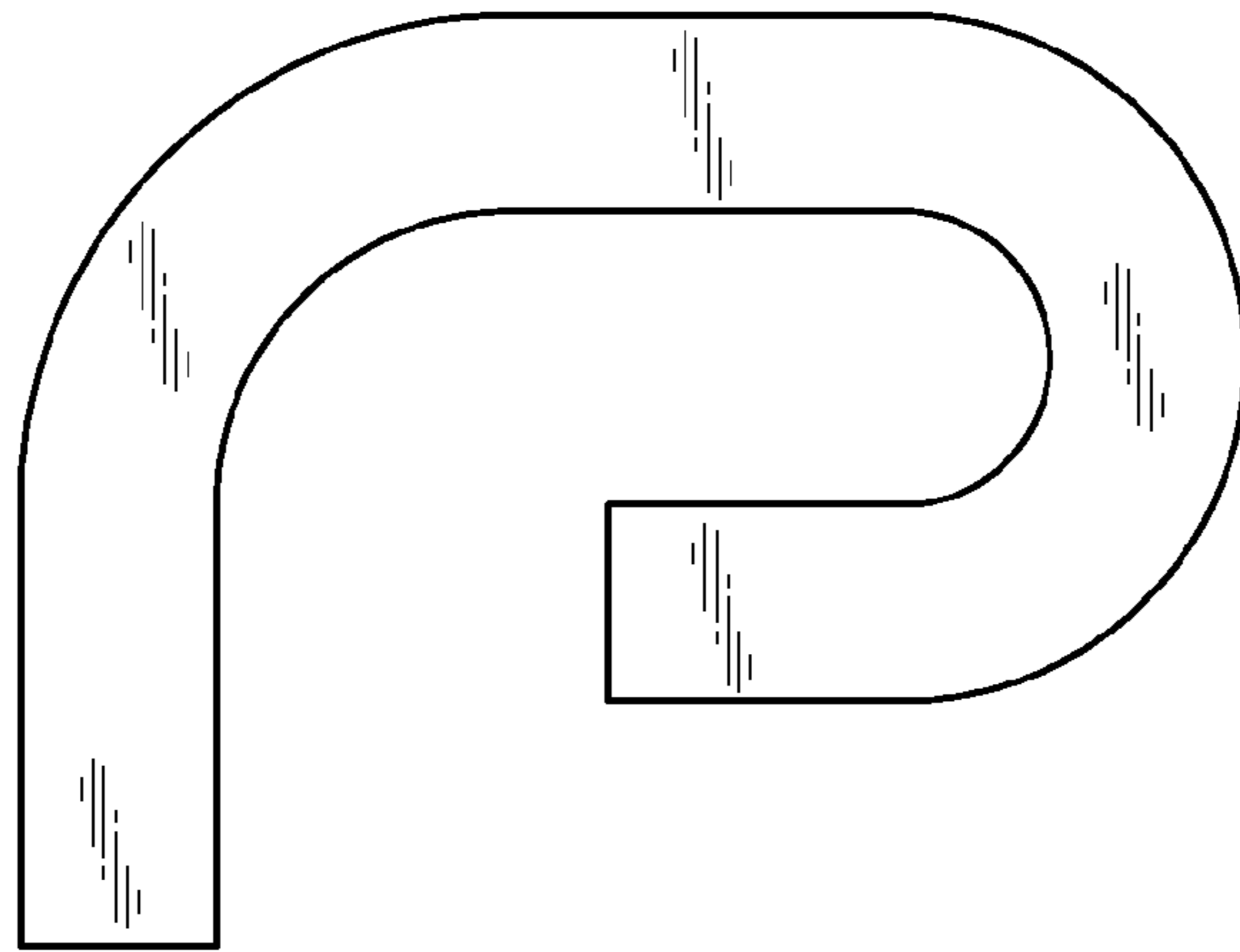


FIG. 2