



US00D681424S

(12) **United States Design Patent**
Heindl

(10) **Patent No.:** **US D681,424 S**

(45) **Date of Patent:** **** May 7, 2013**

(54) **SHEET PILE CONNECTOR**

(75) Inventor: **Richard Heindl**, Siegsdorf (DE)

(73) Assignee: **Richard Heindl**, Siegsdorf (DE)

(**) Term: **14 Years**

(21) Appl. No.: **29/401,039**

(22) Filed: **Sep. 6, 2011**

(30) **Foreign Application Priority Data**

Mar. 7, 2011 (EM) 001831777

(51) **LOC (9) Cl.** **08-08**

(52) **U.S. Cl.**
USPC **D8/382**

(58) **Field of Classification Search** D8/382,
D8/367, 394-395; D25/119, 61, 121, 126;
405/278-279, 231, 252.1; 24/370, 346, 573.09

See application file for complete search history.

(56) **References Cited**

U.S. PATENT DOCUMENTS

D471,794	S	*	3/2003	Wall	D8/382
D521,364	S	*	5/2006	Wall	D8/382
D542,642	S	*	5/2007	Heindl	D8/382
D543,099	S	*	5/2007	Heindl	D8/382
D626,826	S	*	11/2010	Austro	D8/382
D626,828	S	*	11/2010	Austro	D8/382
D649,443	S	*	11/2011	Heindl	D8/382

* cited by examiner

Primary Examiner — Sheryl Lane

(74) *Attorney, Agent, or Firm* — Novak Druce Connolly
Bove + Quigg LLP

(57) **CLAIM**

I claim the ornamental design for a sheet pile connector, as shown and described.

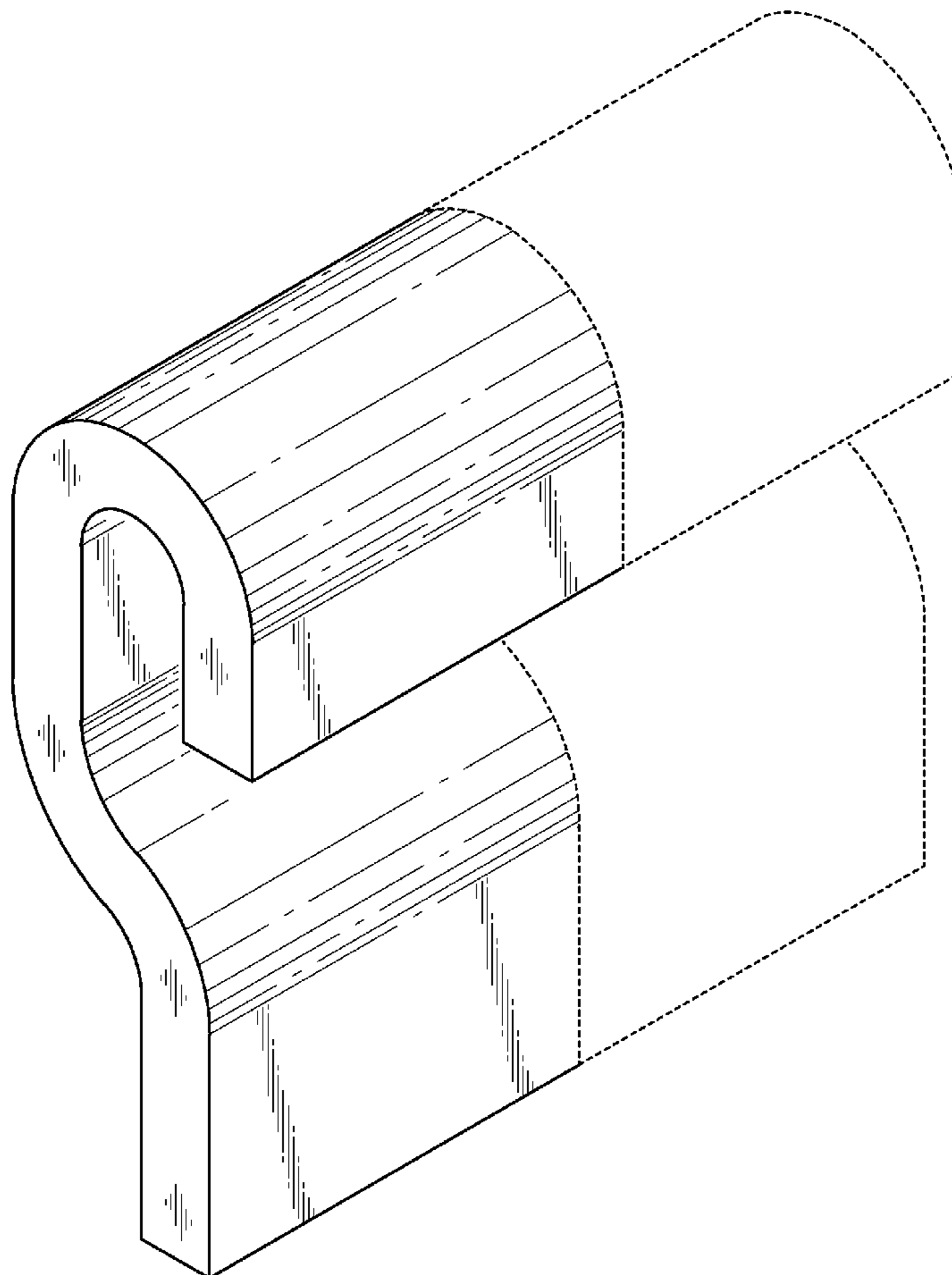
DESCRIPTION

FIG. 1 is a perspective view of a sheet pile connector; and, FIG. 2 is a front elevation view thereof.

The front and rear of the design are mirror images of one another, and so only the front elevation view is shown.

The elements shown in broken lines show portions of the article and form no part of the claimed design.

1 Claim, 2 Drawing Sheets



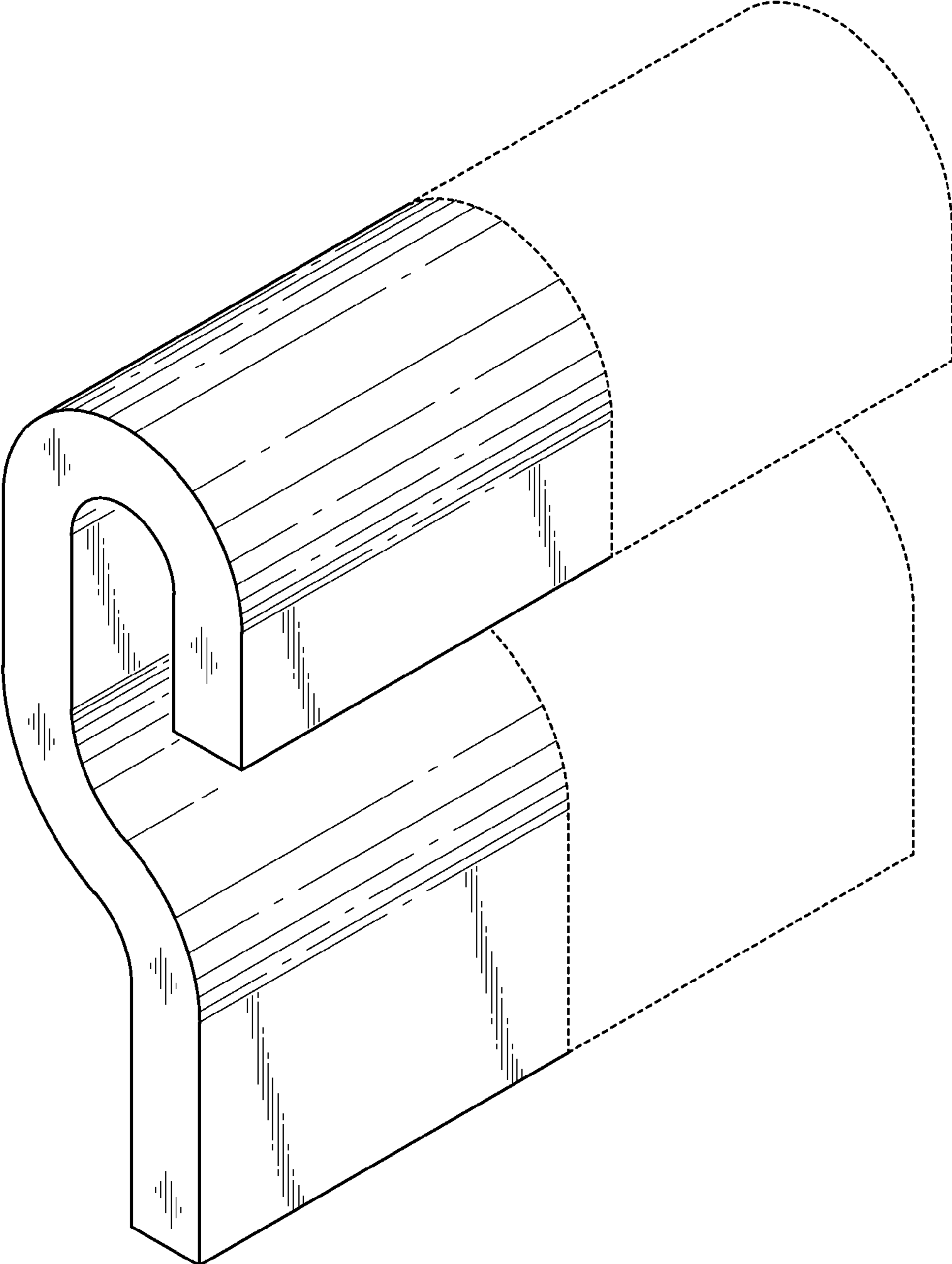


FIG. 1

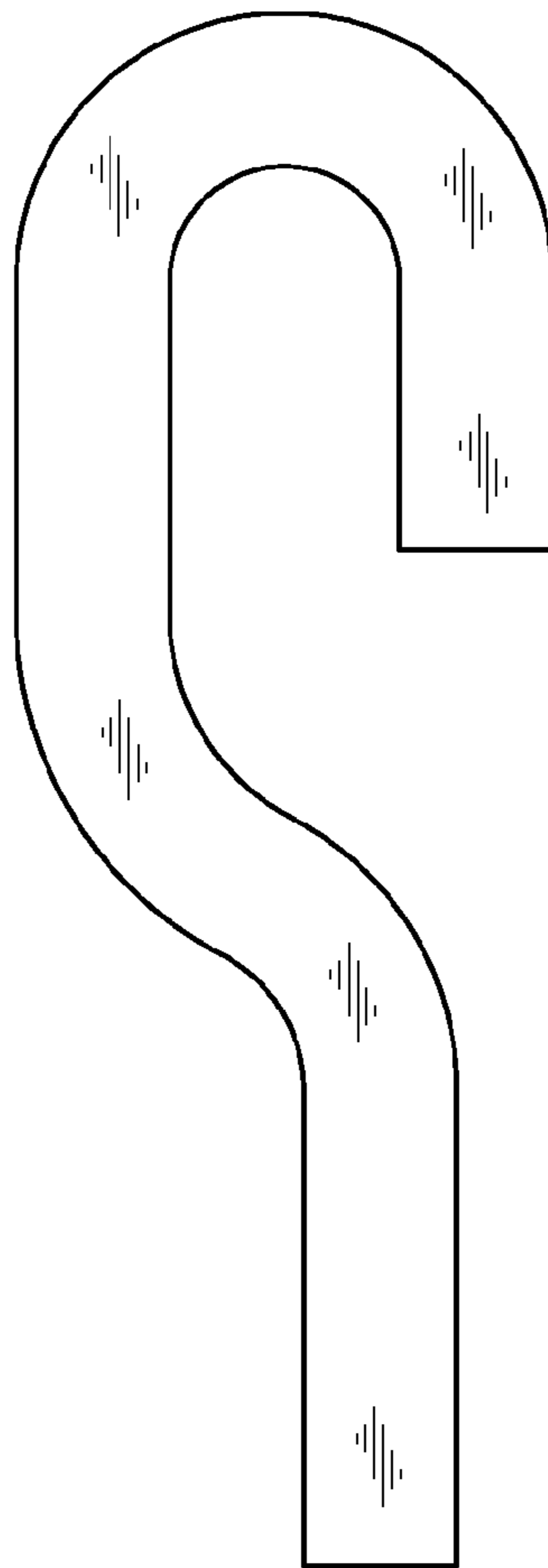


FIG. 2