



US00D681421S

(12) **United States Design Patent**
Bucci

(10) **Patent No.:** **US D681,421 S**

(45) **Date of Patent:** **** May 7, 2013**

(54) **DEVICE FOR SUPPORTING AN OBJECT**

(76) Inventor: **Michael Bucci**, Glen Allen, VA (US)

(**) Term: **14 Years**

(21) Appl. No.: **29/405,315**

(22) Filed: **Nov. 1, 2011**

(51) **LOC (9) Cl.** **08-05**

(52) **U.S. Cl.**

USPC **D8/354; D9/456**

(58) **Field of Classification Search** D8/354,
D8/349, 382, 384, 385, 363, 380, 499; 405/251,
405/252, 255, 230; 248/346.5; 249/83; 52/699,
52/250, 274, 285.2, 293.2, 293.3, 295-298,
52/708, 745.2, 745.21, 707, 170, 698, 689,
52/741.15, 378, 712; D9/456; D15/139

See application file for complete search history.

(56) **References Cited**

U.S. PATENT DOCUMENTS

450,378	A *	4/1891	Robinson	451/461
2,075,472	A *	3/1937	Watson et al.	99/645
2,075,473	A *	3/1937	Schwary et al.	99/645
4,335,984	A *	6/1982	Zweekly	407/114
4,555,114	A *	11/1985	Dozier	473/588
D305,239	S *	12/1989	Niebauer	D15/139
5,032,050	A *	7/1991	Niebauer et al.	407/114
5,046,899	A *	9/1991	Nishi	407/102
D338,620	S *	8/1993	Brozowski	D9/430
D345,985	S *	4/1994	Ishikawa et al.	D15/139
D350,808	S *	9/1994	Warshawsky	D23/213
D353,642	S *	12/1994	Callaghan	D21/386
5,476,346	A *	12/1995	Lundstrom	407/114
D380,680	S *	7/1997	Sun	D9/456
D393,270	S *	4/1998	Muren et al.	D15/139
D393,408	S *	4/1998	Mladineo	D8/354
D395,663	S *	6/1998	Muren et al.	D15/139
D400,780	S *	11/1998	Wurdack	D8/374
D401,582	S *	11/1998	Gremchuck	D14/210
D409,632	S *	5/1999	Hartlohner et al.	D15/139

5,947,786	A *	9/1999	Glick	446/85
6,168,356	B1 *	1/2001	Sjoo et al.	407/104
D448,393	S *	9/2001	Hartlohner et al.	D15/139
6,343,898	B1 *	2/2002	Sjoo et al.	407/101
D470,869	S *	2/2003	Pinchot	D15/139
D487,755	S *	3/2004	Kasperik et al.	D15/139
D505,164	S *	5/2005	McCabe	D21/505
D538,357	S *	3/2007	Salmon	D21/505
D544,006	S *	6/2007	Pinchot	D15/139
D544,506	S *	6/2007	Pinchot	D15/139
D547,237	S *	7/2007	Tiede	D12/7
D562,385	S *	2/2008	Camillo	D19/41
D570,410	S *	6/2008	Moro	D19/41
D594,512	S *	6/2009	Richards et al.	D21/484
D598,756	S *	8/2009	Robichaud et al.	D9/456
D628,218	S *	11/2010	Tommassini	D15/138
2002/0002886	A1 *	1/2002	Hansson et al.	82/161
2002/0050482	A1 *	5/2002	Kamdar et al.	215/379
2003/0077131	A1 *	4/2003	Wiman et al.	407/114
2004/0084839	A1 *	5/2004	Yang	273/157 R
2005/0254908	A1 *	11/2005	Norstrom et al.	407/113
2008/0075543	A1 *	3/2008	Zhu et al.	407/119

* cited by examiner

Primary Examiner — Mark Goodwin

(74) *Attorney, Agent, or Firm* — Brian J. Teague

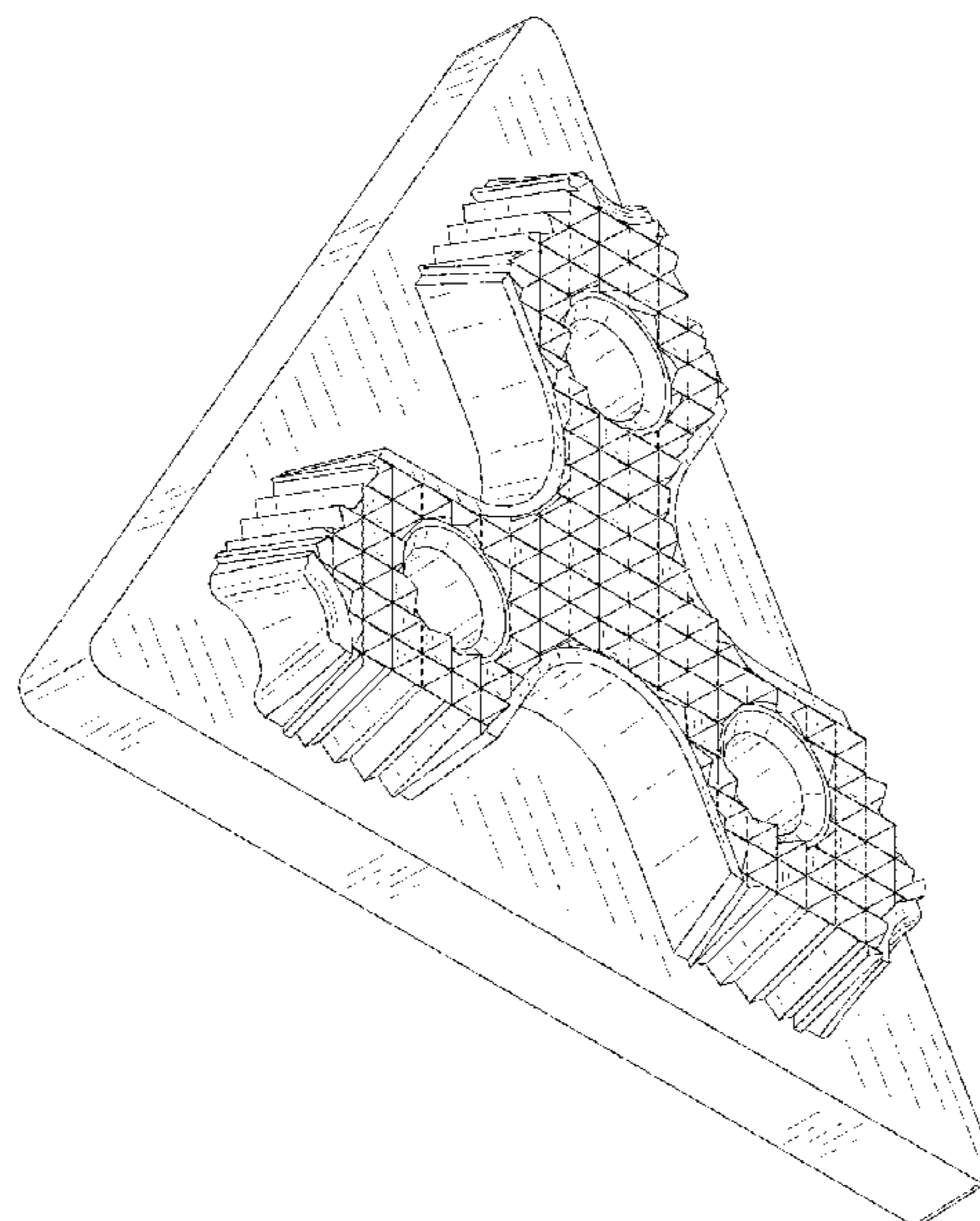
(57) **CLAIM**

I claim the ornamental design for a device for supporting an object, as shown and described.

DESCRIPTION

FIG. 1 is a top perspective view of a device for supporting an object showing the new design;
FIG. 2 is a bottom perspective view thereof;
FIG. 3 is a top view thereof;
FIG. 4 is a bottom view thereof;
FIG. 5 is a left side view thereof;
FIG. 6 is a right side view thereof;
FIG. 7 is a front side view thereof; and,
FIG. 8 is a rear side view thereof.

1 Claim, 6 Drawing Sheets



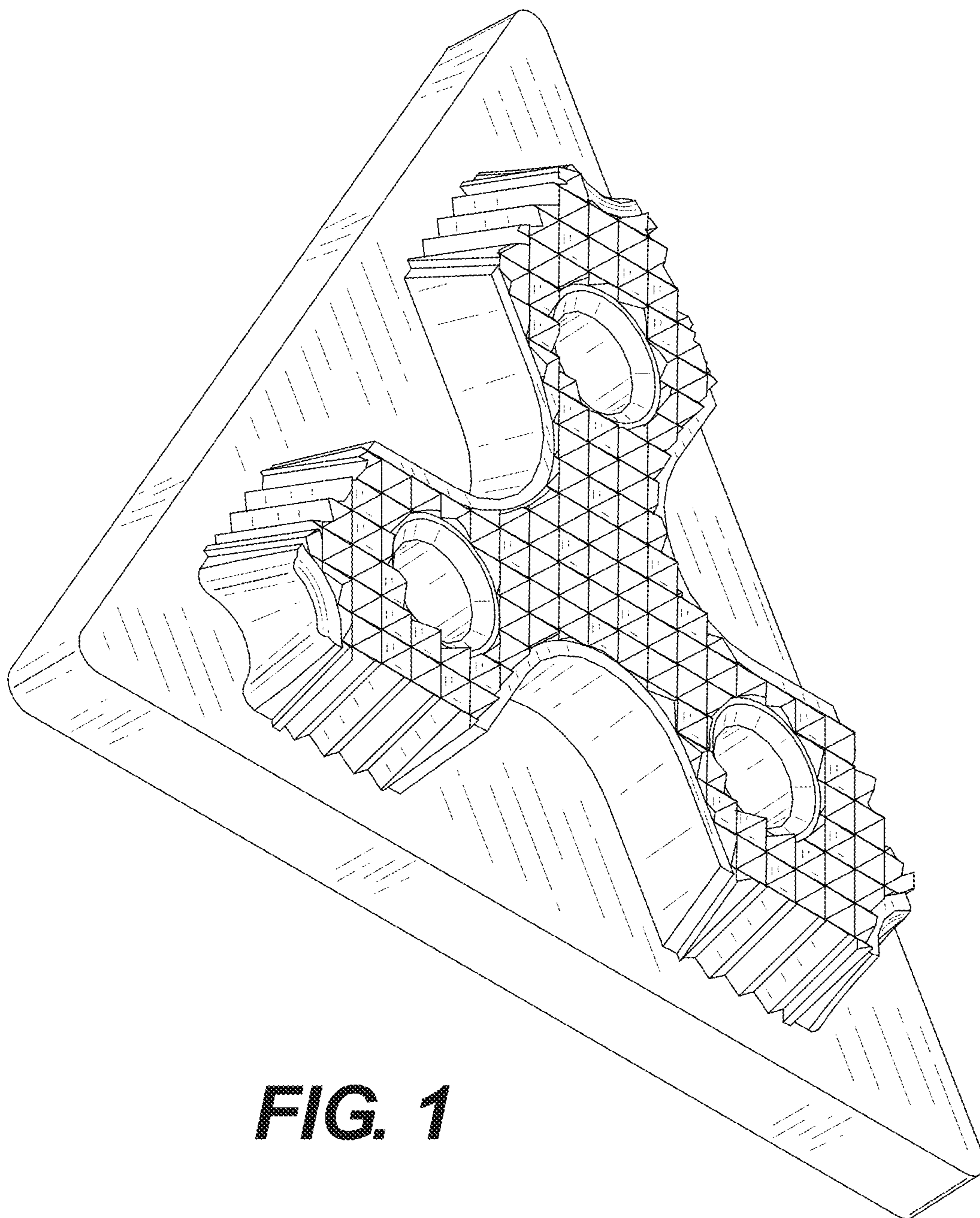


FIG. 1

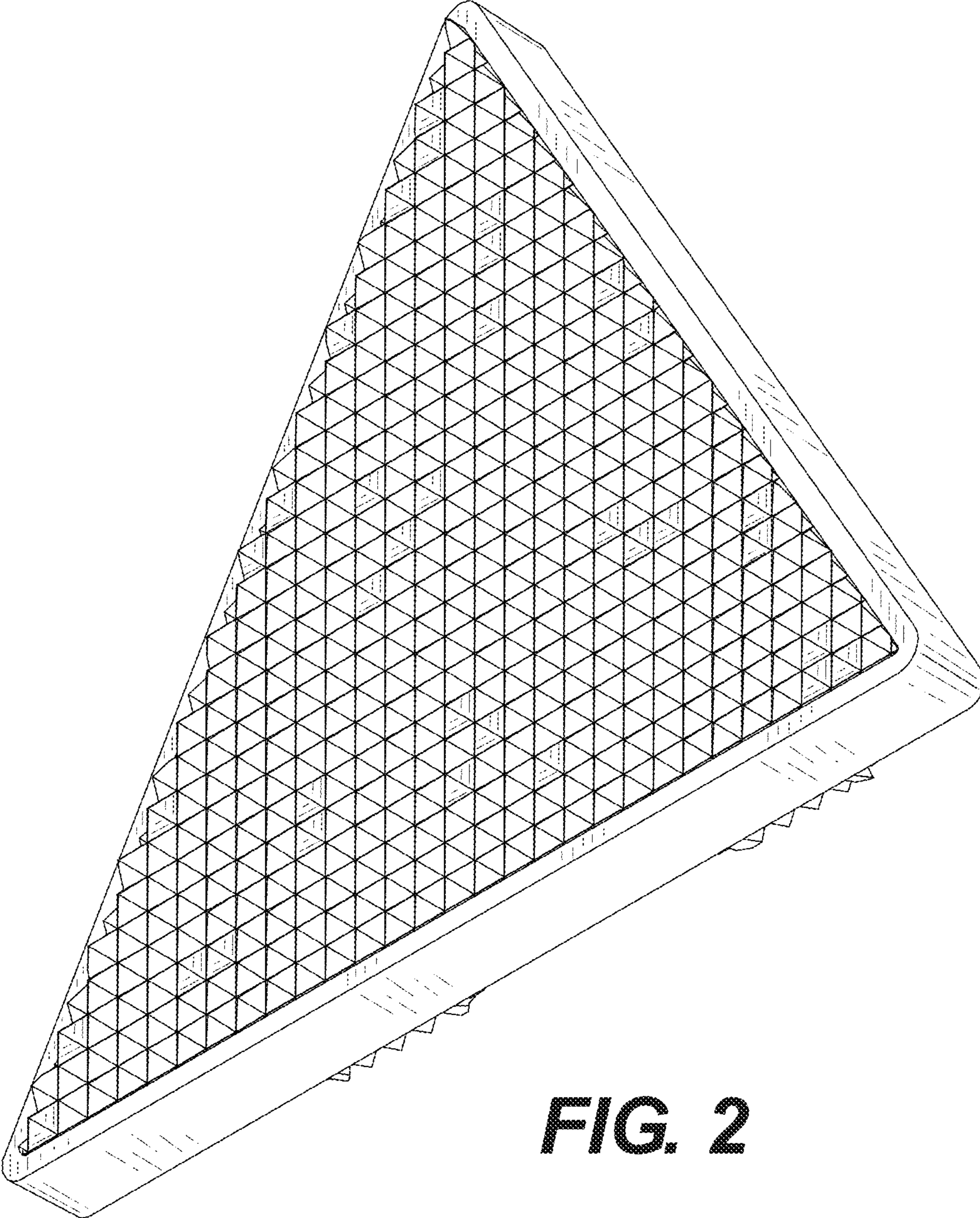


FIG. 2

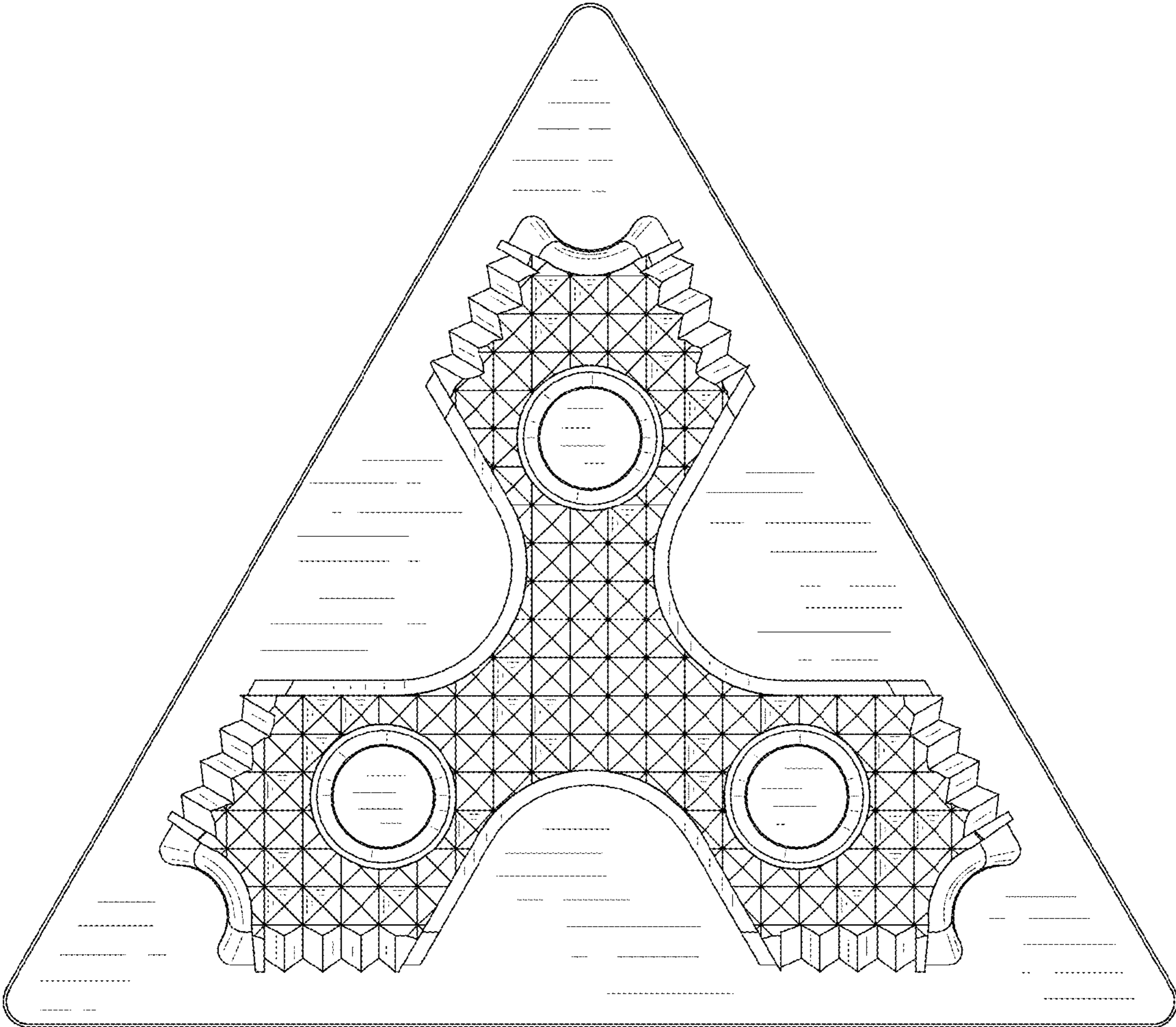


FIG. 3

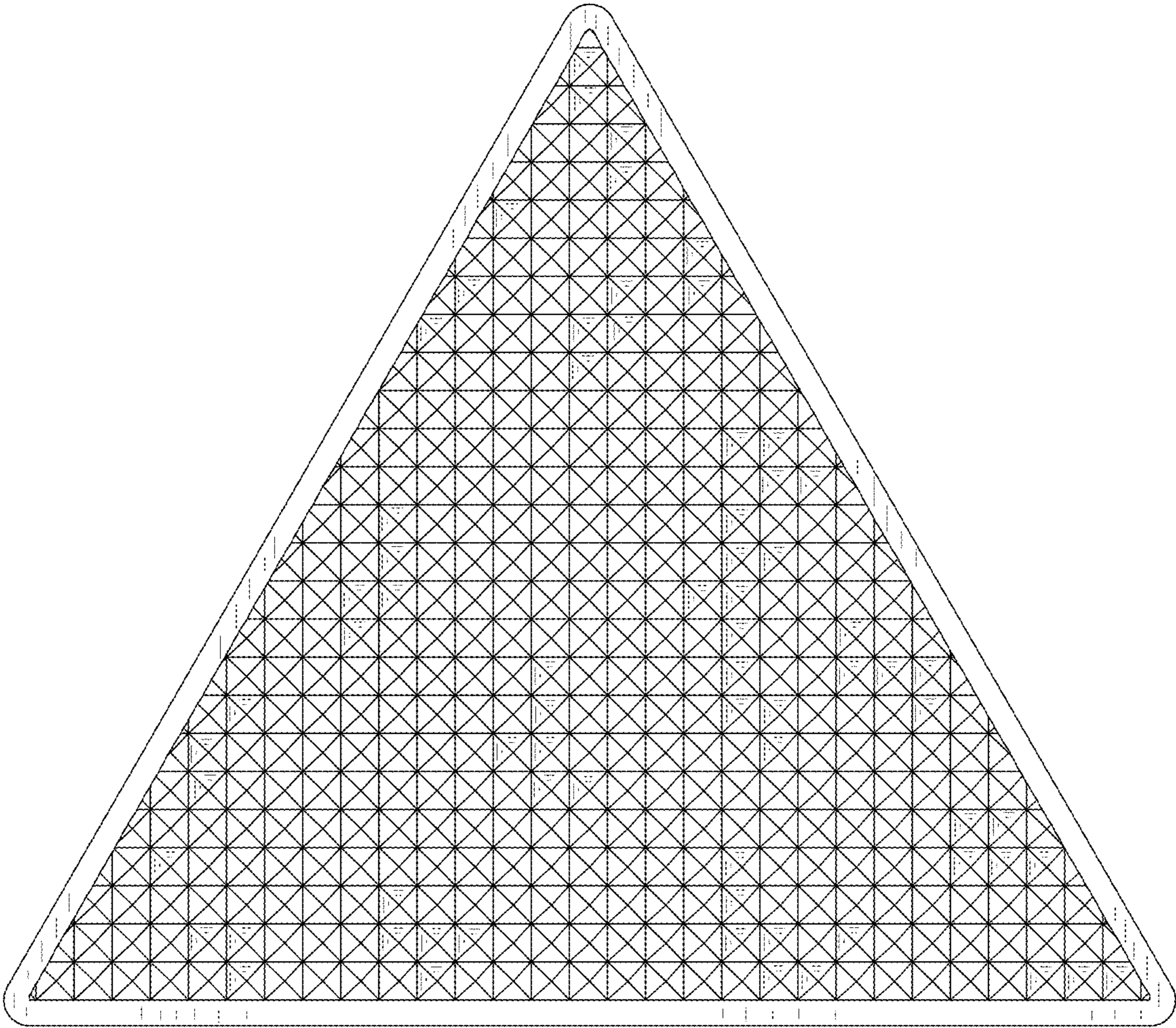


FIG. 4

FIG. 6

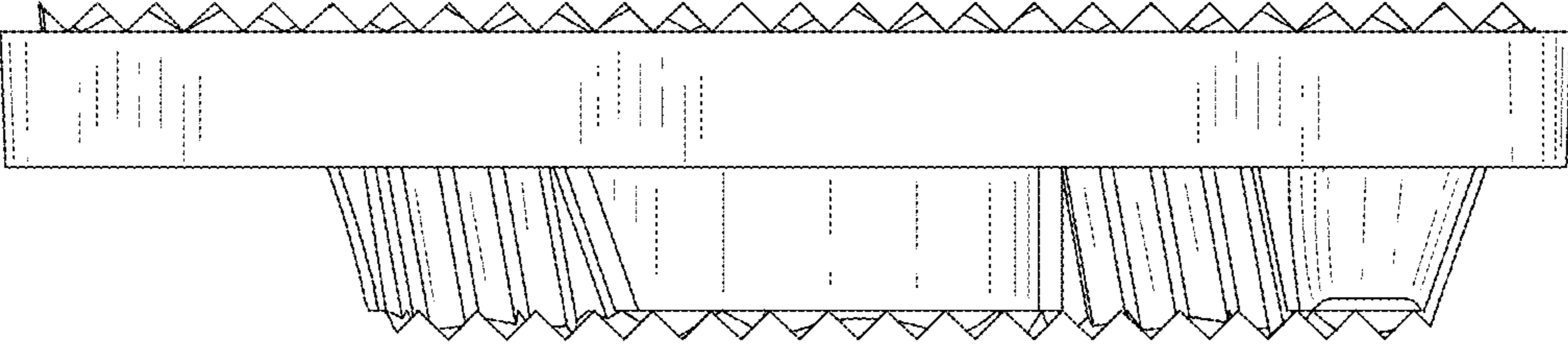
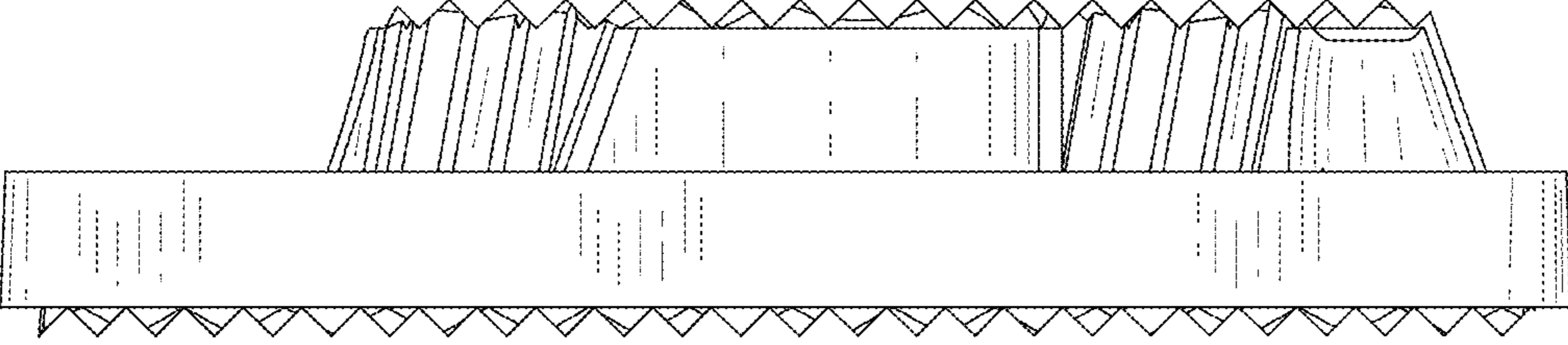


FIG. 5



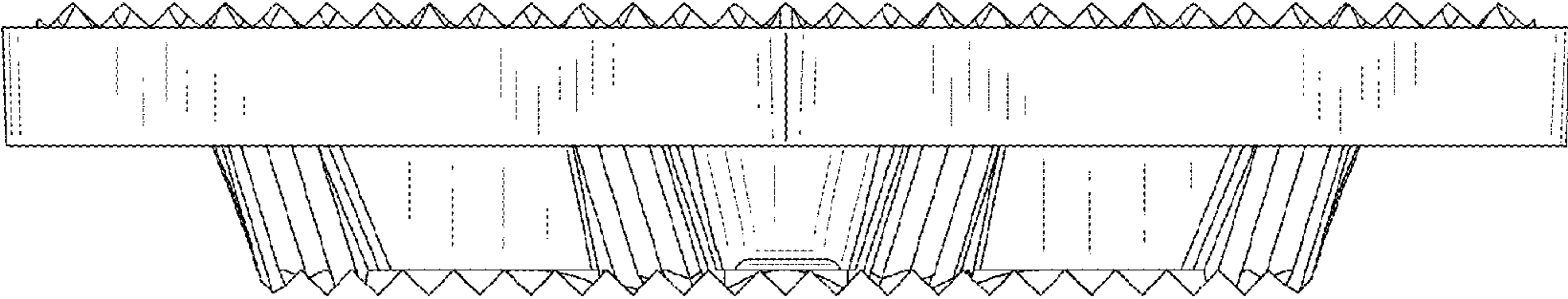


FIG. 7

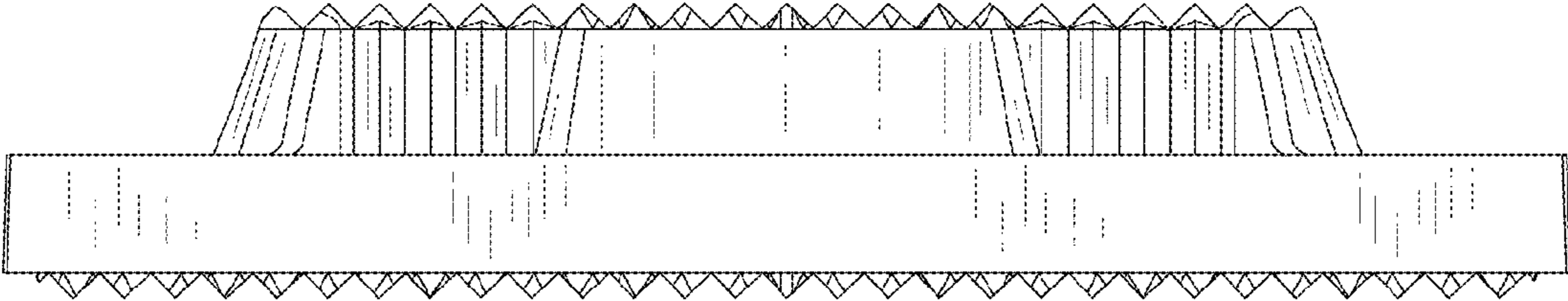


FIG. 8