



US00D681419S

(12) **United States Design Patent**
Patterson et al.

(10) **Patent No.:** **US D681,419 S**

(45) **Date of Patent:** **** May 7, 2013**

(54) **HANDLE WITH JOINT**
(75) Inventors: **Joseph K. Patterson**, Monroe, CT (US);
David Quinlan, Plantsville, CT (US)
(73) Assignee: **Unger Marketing International, LLC**,
Bridgeport, CT (US)

4,912,349 A * 3/1990 Chang 310/50
D320,541 S * 10/1991 Staubitz et al. D8/61
5,116,151 A 5/1992 Lytton et al.
D328,373 S 7/1992 Murray
5,319,821 A 6/1994 Nicholson et al.
D350,424 S 9/1994 Elliott
D408,258 S 4/1999 Tsai

(Continued)

(**) Term: **14 Years**

Primary Examiner — Paula Greene

(21) Appl. No.: **29/415,298**

(74) *Attorney, Agent, or Firm* — Ohlandt, Greeley, Ruggiero
& Perle

(22) Filed: **Mar. 9, 2012**

(51) **LOC (9) Cl.** **08-05**

(52) **U.S. Cl.**
USPC **D8/107**

(58) **Field of Classification Search** D8/107,
D8/300, 306, 15, 14, 40, 80, 51, 94, 68; D23/223;
403/113; 16/110.1; D32/41, 52; 297/57
See application file for complete search history.

(57) **CLAIM**

The ornamental design for the handle with joint, as shown and described.

DESCRIPTION

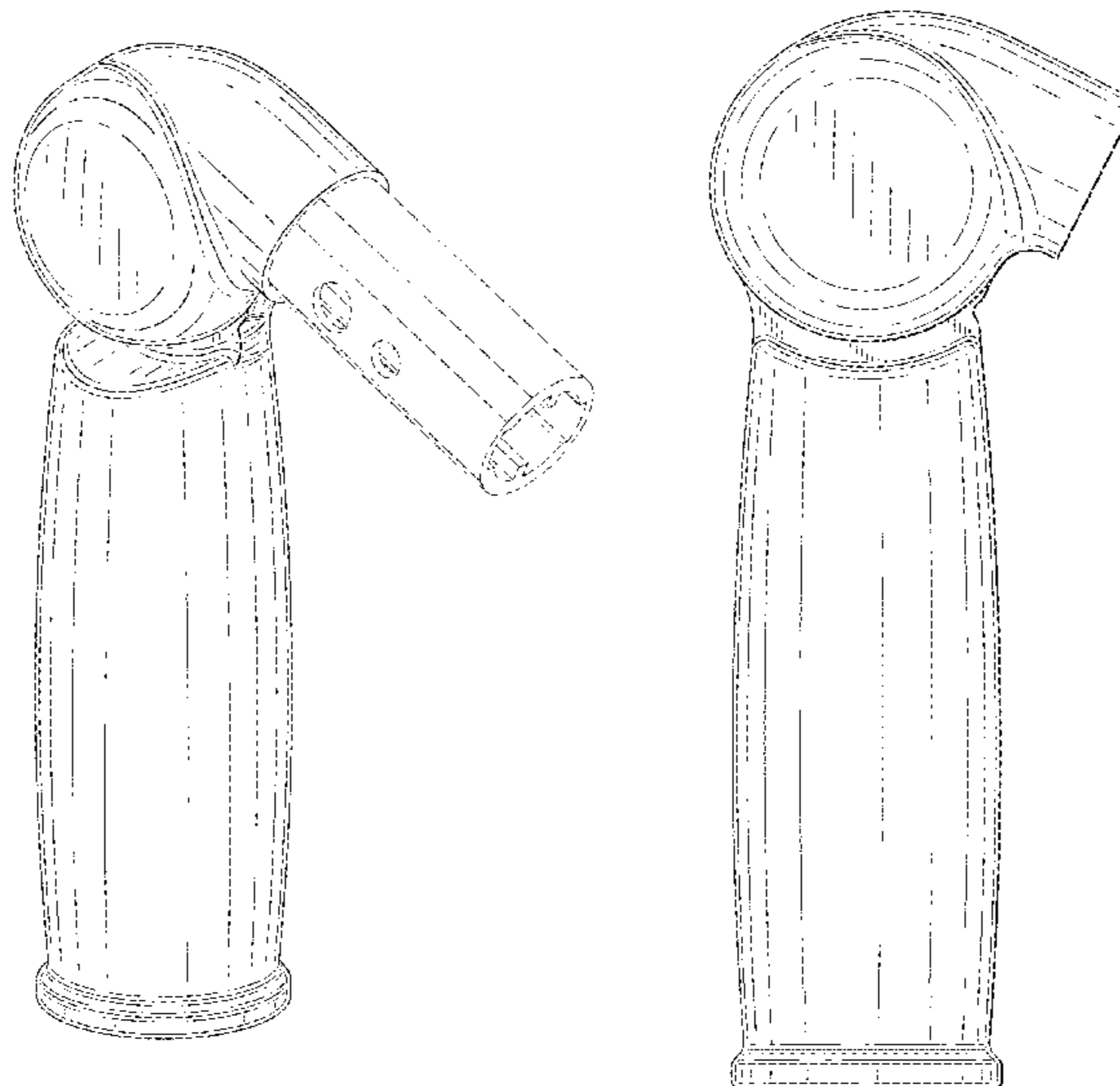
FIG. 1 is a first side perspective view of an exemplary embodiment a handle with joint according to the present disclosure illustrating a portion in phantom;
FIG. 2 is a second side perspective view of the handle with joint of FIG. 1;
FIG. 3 is a first side perspective view of the handle with joint of FIGS. 1 and 2;
FIG. 4 is a second side perspective view of the handle with joint of FIGS. 1 and 2;
FIG. 5 is a first side view of the handle with joint of FIG. 3;
FIG. 6 is a front view of the handle with joint of FIG. 3;
FIG. 7 is a second side view of the handle with joint of FIG. 3;
FIG. 8 is a rear view of the handle with joint of FIG. 3;
FIG. 9 is a top view of the handle with joint of FIG. 3; and,
FIG. 10 is a bottom view of the handle with joint of FIG. 3.
The broken lines in the drawings illustrating environmental structure or boundaries that form no part of the claimed design.

(56) **References Cited**

U.S. PATENT DOCUMENTS

1,185,564 A 5/1916 Williams
D51,641 S * 1/1918 Hargrave D8/82
1,793,782 A 2/1931 Dietrich
1,795,651 A 3/1931 Hunter
2,896,243 A 7/1959 Schoenfield
D197,501 S 2/1964 Huxtable et al.
3,292,299 A * 12/1966 Mettler 43/135
D225,607 S * 12/1972 Insolio D8/51
3,842,549 A * 10/1974 Johnston 451/524
3,871,125 A * 3/1975 Wilson et al. 43/135
D274,854 S 7/1984 Nishiyama et al.
D274,855 S 7/1984 Nishiyama et al.
4,522,270 A * 6/1985 Kishi 173/217
D296,022 S 5/1988 Restivo
D297,904 S * 10/1988 Harless D8/14
4,827,556 A 5/1989 Corsetti
4,841,592 A 6/1989 Restivo
D304,106 S 10/1989 Dobson et al.

1 Claim, 9 Drawing Sheets



US D681,419 S

Page 2

U.S. PATENT DOCUMENTS

D425,679 S	5/2000	Long et al.	
D447,924 S *	9/2001	Neitzell et al.	D8/64
D452,423 S	12/2001	Shimansky	
6,467,556 B2 *	10/2002	Alsrue	173/217
6,503,615 B1	1/2003	Horii et al.	
D479,455 S *	9/2003	Waldron	D8/68
6,913,211 B2 *	7/2005	Chen	239/532
6,978,509 B2	12/2005	Lin	
D519,819 S	5/2006	Jimenez	
7,038,154 B2 *	5/2006	Hofte et al.	200/332
D523,724 S	6/2006	Rinner et al.	
D525,511 S	7/2006	Hung	
D526,550 S *	8/2006	Aglassinger	D8/68
D544,331 S *	6/2007	Blehm	D8/107
D552,956 S	10/2007	Wen	
7,363,674 B2	4/2008	Marshall	
7,365,569 B1	4/2008	Venugopal	
D570,557 S *	6/2008	Khubani et al.	D30/159
D574,867 S *	8/2008	Lewis	D16/135
D585,611 S	1/2009	Libman et al.	
D591,920 S	5/2009	Khubani	
D630,482 S *	1/2011	Su	D8/27
D634,906 S	3/2011	Sgroi et al.	
D636,956 S	4/2011	Sgroi, Jr. et al.	
D644,905 S *	9/2011	Arvinte et al.	D8/107

* cited by examiner

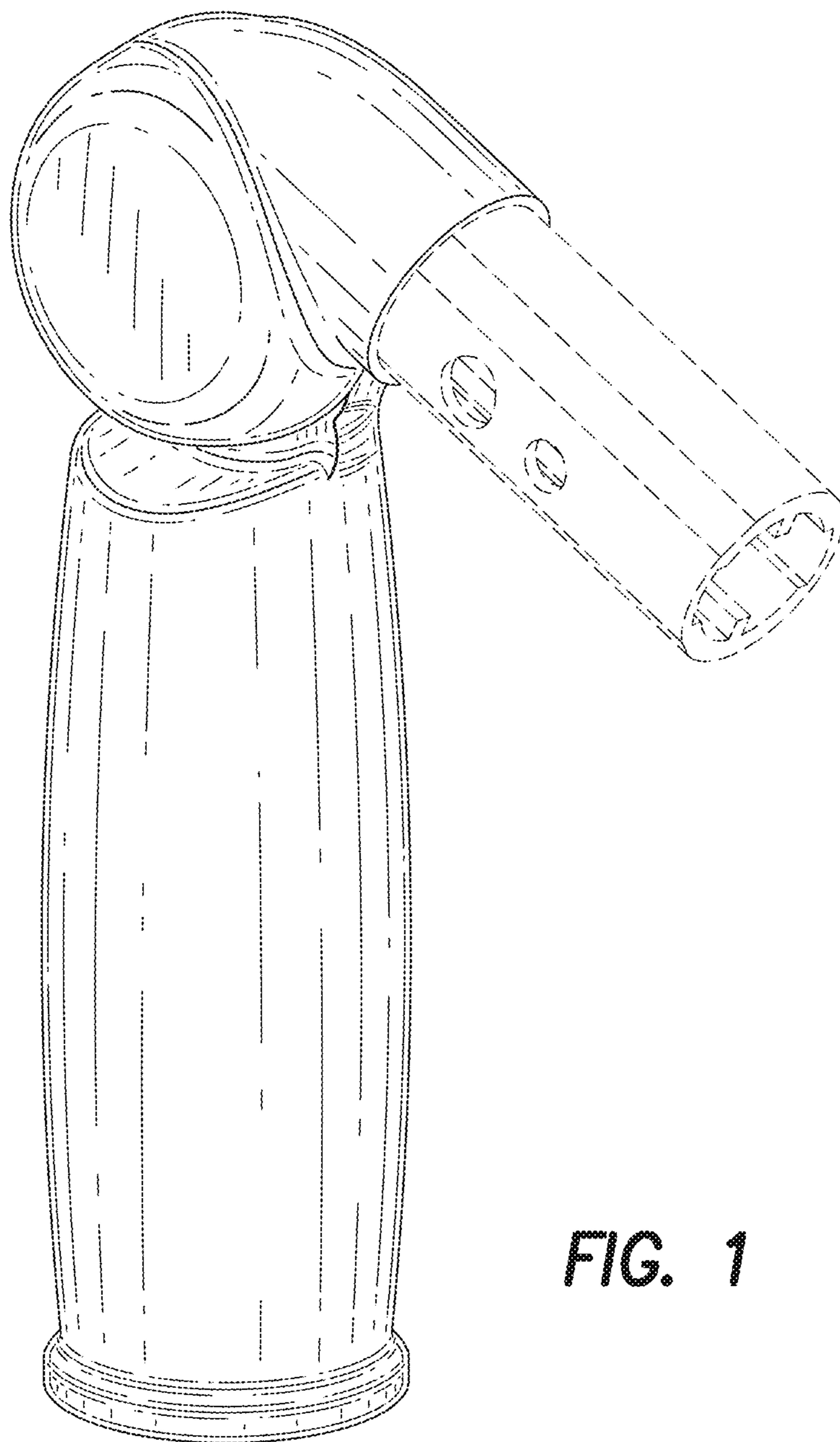


FIG. 1



FIG. 2

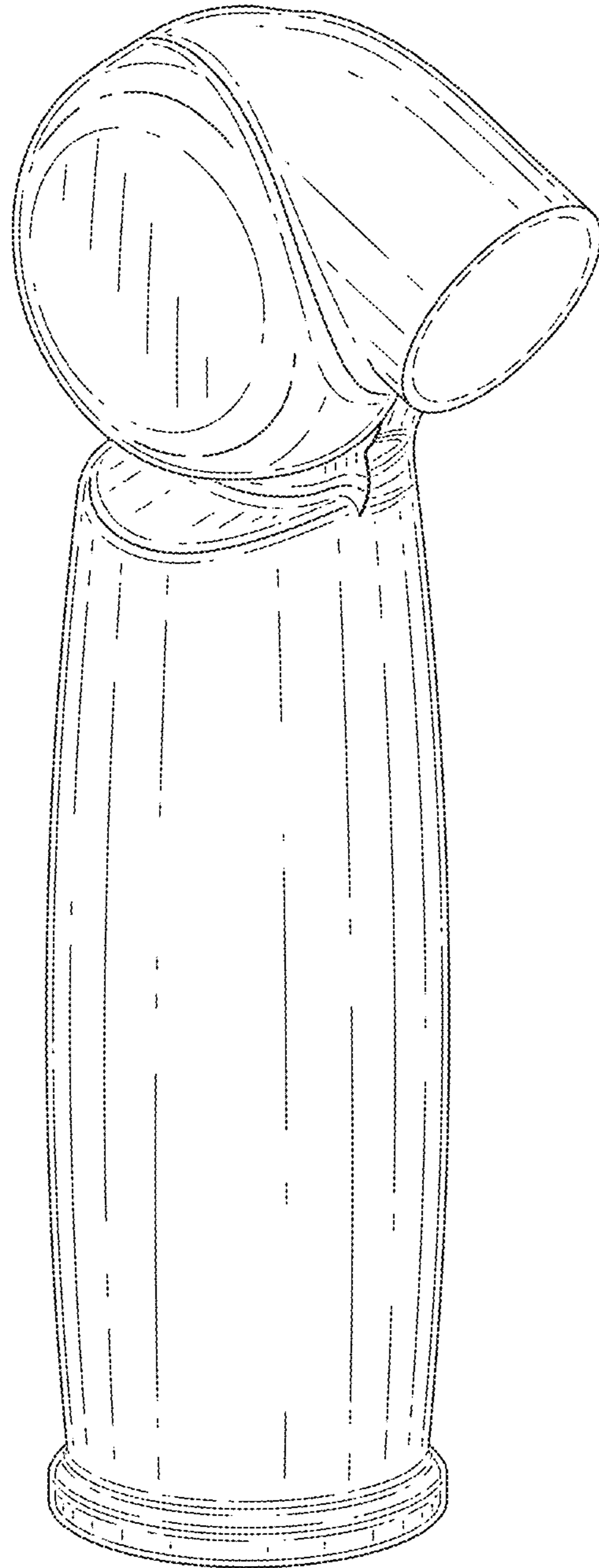


FIG. 3

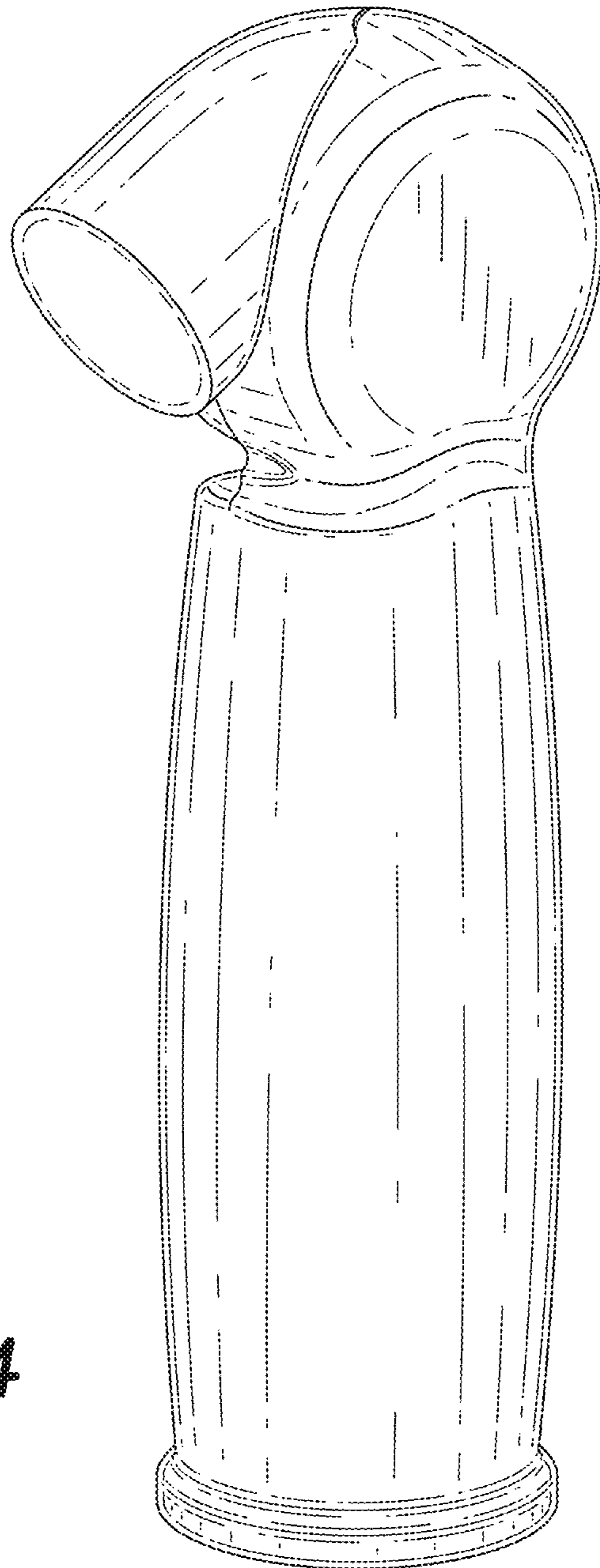


FIG. 4

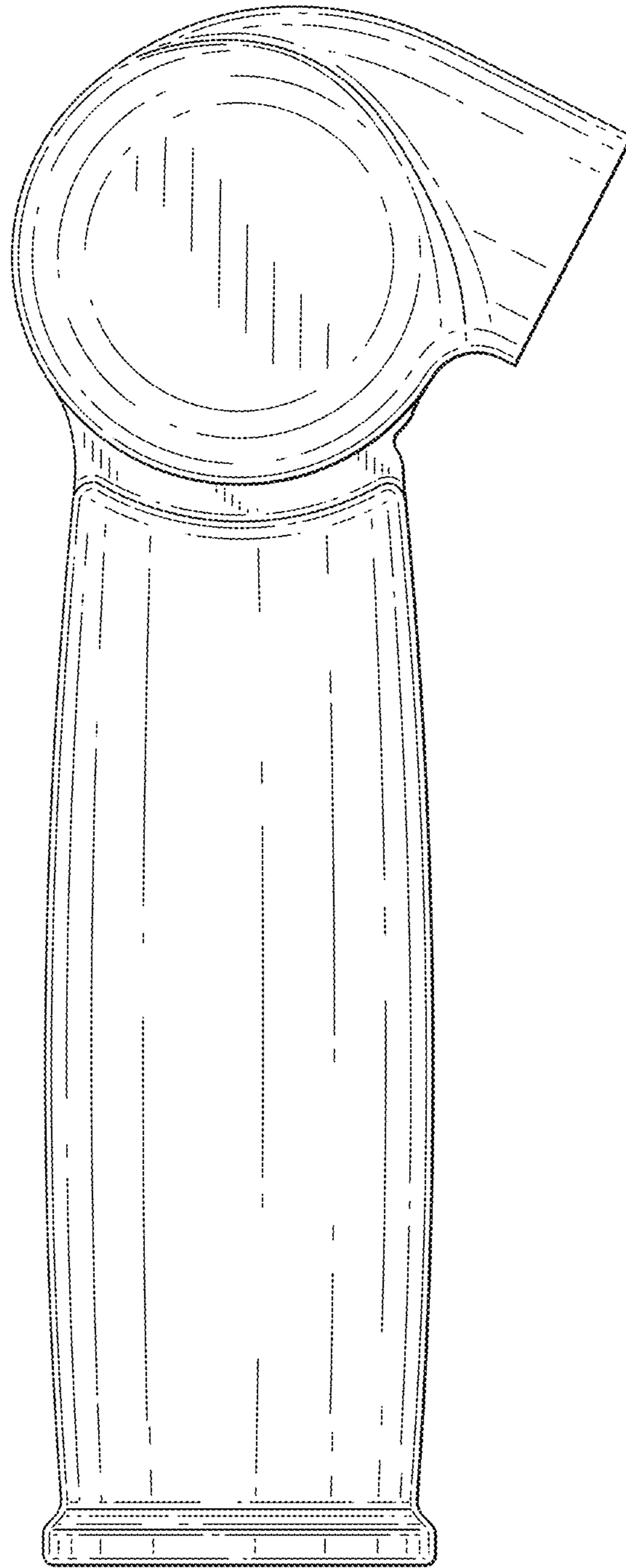


FIG. 5

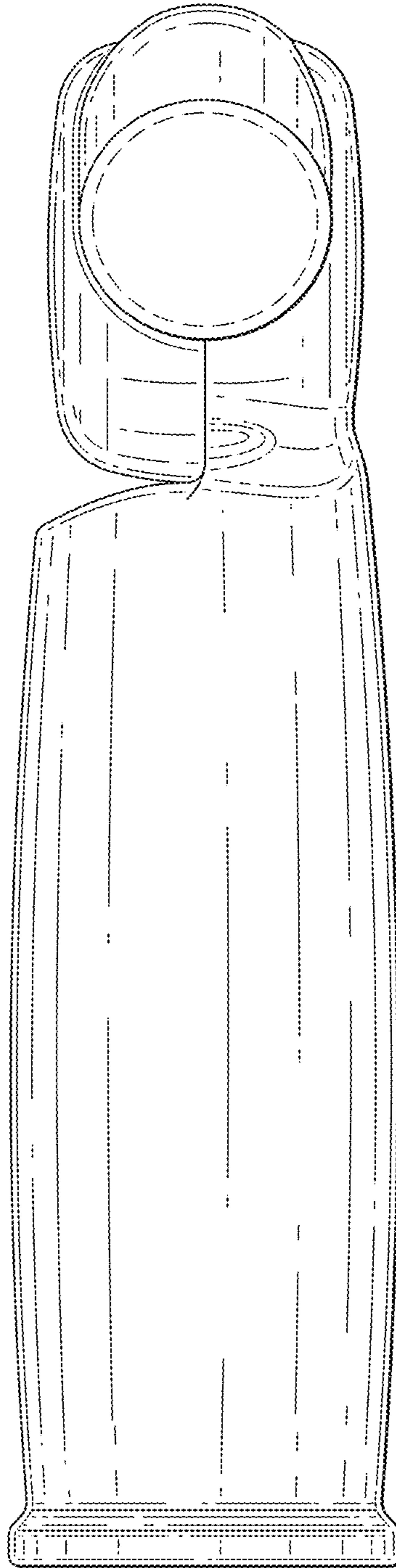


FIG. 6

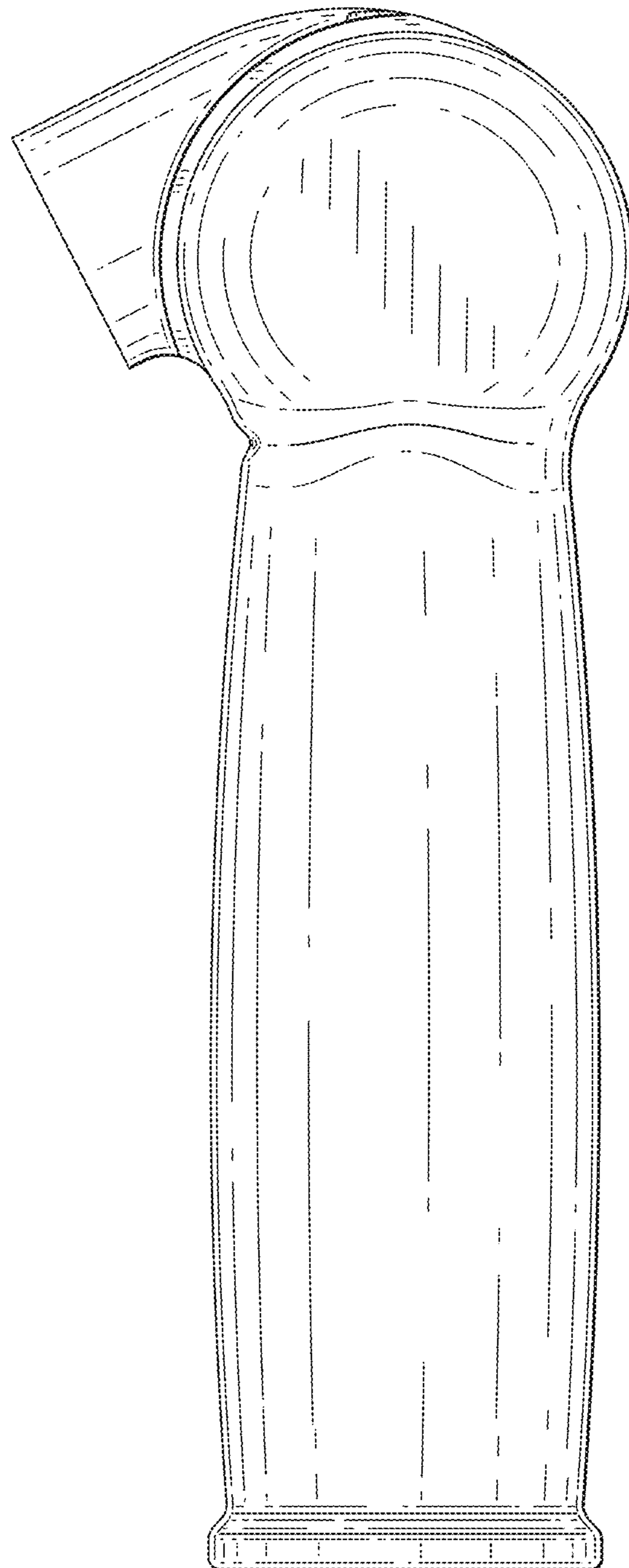


FIG. 7

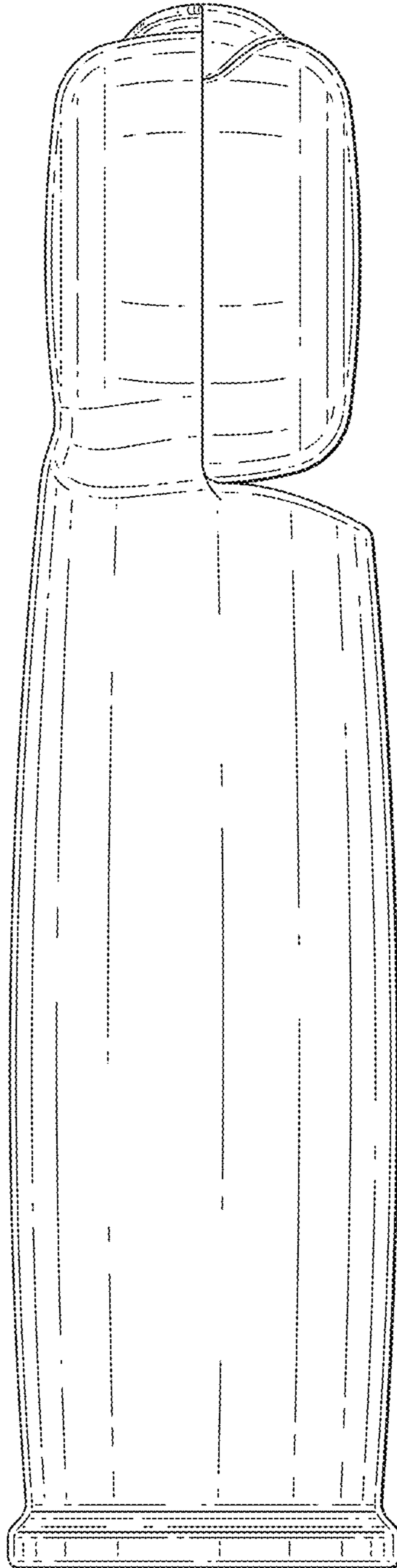


FIG. 8

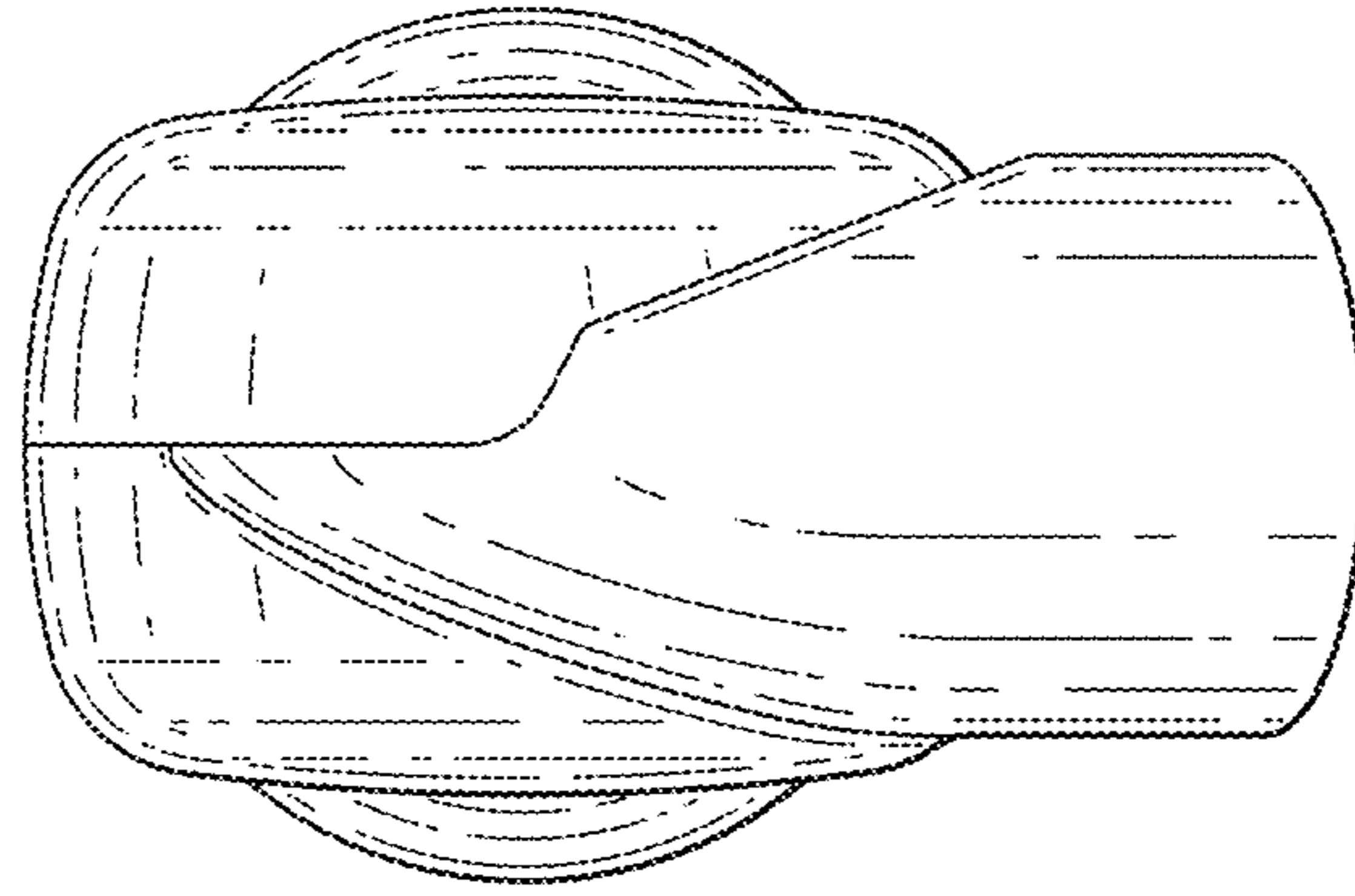


FIG. 9

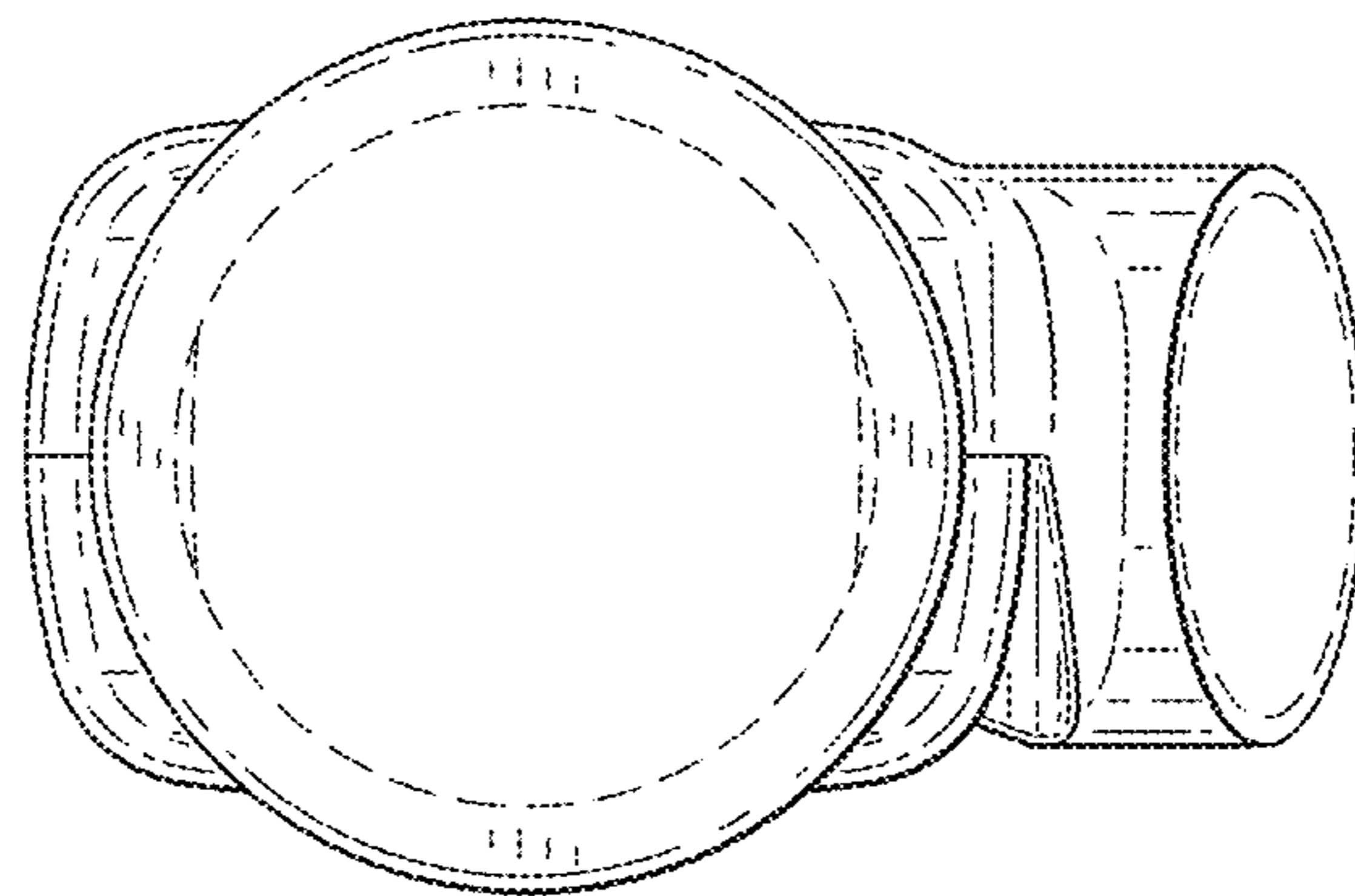


FIG. 10