



US00D681416S

(12) **United States Design Patent**
Masalin et al.

(10) **Patent No.:** **US D681,416 S**

(45) **Date of Patent:** **** May 7, 2013**

(54) **SHARPENER**

(75) Inventors: **Petteri Masalin**, Helsinki (FI); **Jouni Salojärvi**, Helsinki (FI); **Aaro Huttunen**, Billnäs (FI)

(73) Assignee: **Fiskars Brands Finland Oy AB**, Billnas (FI)

(**) Term: **14 Years**

(21) Appl. No.: **29/414,295**

(22) Filed: **Feb. 27, 2012**

(30) **Foreign Application Priority Data**

Sep. 1, 2011 (EM) 001910753-0009

(51) **LOC (9) Cl.** **08-05**

(52) **U.S. Cl.**
USPC **D8/91; D8/93**

(58) **Field of Classification Search** D8/34,
D8/35, 63, 91, 93; 451/45, 267, 552, 555-558;
76/82, 84, 86-89.2; 30/138; D3/298
See application file for complete search history.

(56) **References Cited**

U.S. PATENT DOCUMENTS

| | | | | |
|---------------|---------|-----------|-------|--------|
| D111,174 S * | 9/1938 | Carpenter | | D8/93 |
| D132,775 S * | 6/1942 | Case | | D7/638 |
| D170,728 S * | 10/1953 | Tavolazzi | | D3/298 |
| D172,371 S * | 6/1954 | Tavolazzi | | D3/298 |
| 4,228,703 A * | 10/1980 | Moss | | 76/86 |

(Continued)

OTHER PUBLICATIONS

Fiskars Xsharp Axe and Knife Sharpener. Downloaded from <http://en.red-dot.org/2839.html?&cHash=f2c541eb338383dd308b11037ac8cf17&detail=...> Dec. 11, 2012.*

Primary Examiner — Philip S Hyder
Assistant Examiner — Roselynn Cody

(74) *Attorney, Agent, or Firm* — Foley & Lardner LLP

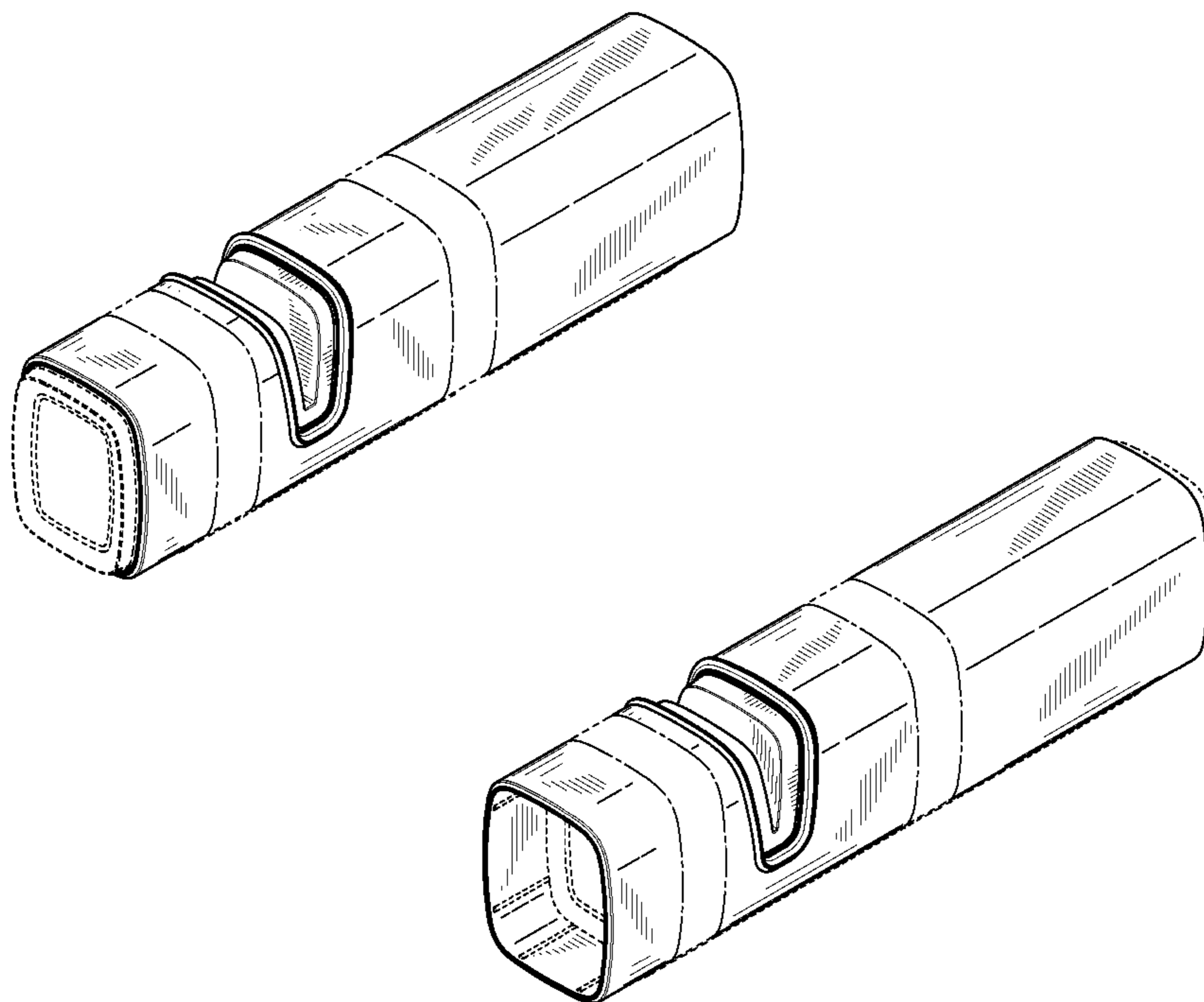
(57) **CLAIM**

We claim the ornamental design for a sharpener, as shown and described.

DESCRIPTION

FIG. 1 is a perspective view of the claimed design for a sharpener as it appears in one position of use.
FIG. 2 is a left side view of the claimed design of FIG. 1;
FIG. 3 is a right side view of the claimed design of FIG. 1;
FIG. 4 is a front view of the claimed design of FIG. 1;
FIG. 5 is a rear view of the claimed design of FIG. 1;
FIG. 6 is a top view of the claimed design of FIG. 1;
FIG. 7 is a bottom view of the claimed design of FIG. 1;
FIG. 8 is a perspective view of the claimed design for a sharpener as it appears in another position of use.
FIG. 9 is a left side view of the claimed design of FIG. 8;
FIG. 10 is a right side view of the claimed design of FIG. 8;
FIG. 11 is a front view of the claimed design of FIG. 8;
FIG. 12 is a rear view of the claimed design of FIG. 8;
FIG. 13 is a top view of the claimed design of FIG. 8; and,
FIG. 14 is a bottom view of the claimed design of FIG. 8.
The broken lines in the drawings indicate portions of the sharpener that form no part of the claim.

1 Claim, 6 Drawing Sheets



US D681,416 S

Page 2

| U.S. PATENT DOCUMENTS | | | | | |
|-----------------------|-----|------------------------------|--------------|------|---------------------------------|
| D264,176 | S | 5/1982 Linden | D308,018 | S | 5/1990 Linden et al. |
| D266,393 | S | 10/1982 Mayer et al. | 4,928,436 | A | 5/1990 Linden |
| 4,428,515 | A | 1/1984 Mayer | 5,001,945 | A | 3/1991 Lindeen |
| D276,884 | S | 12/1984 Carter | D322,169 | S * | 12/1991 Mietelski D3/298 |
| D276,885 | S | 12/1984 Hall | D332,210 | S | 1/1993 Linden |
| D276,886 | S | 12/1984 Carter | D352,880 | S * | 11/1994 Anderson D8/91 |
| D277,166 | S | 1/1985 Call | D372,180 | S * | 7/1996 Powell D8/91 |
| 4,494,340 | A | 1/1985 Carter | D372,580 | S * | 8/1996 Chipman, Sr. D3/262 |
| 4,495,696 | A | 1/1985 Fethke et al. | 6,039,642 | A * | 3/2000 Collins 451/557 |
| 4,502,218 | A | 3/1985 Carter et al. | D509,355 | S * | 9/2005 Pleskunas D3/260 |
| 4,502,254 | A | 3/1985 Carter | D550,532 | S * | 9/2007 Radocy D8/91 |
| D287,095 | S * | 12/1986 Hunter D8/91 | 8,221,199 | B2 * | 7/2012 Smith 451/552 |
| D288,657 | S | 3/1987 Linden | 2005/0221742 | A1 * | 10/2005 Su 451/555 |
| 4,696,129 | A * | 9/1987 Roberts 451/555 | 2009/0064822 | A1 * | 3/2009 Sterngold 76/86 |
| 4,723,375 | A | 2/1988 Linden | 2012/0270481 | A1 * | 10/2012 Smith 451/461 |

* cited by examiner

FIGURE 1

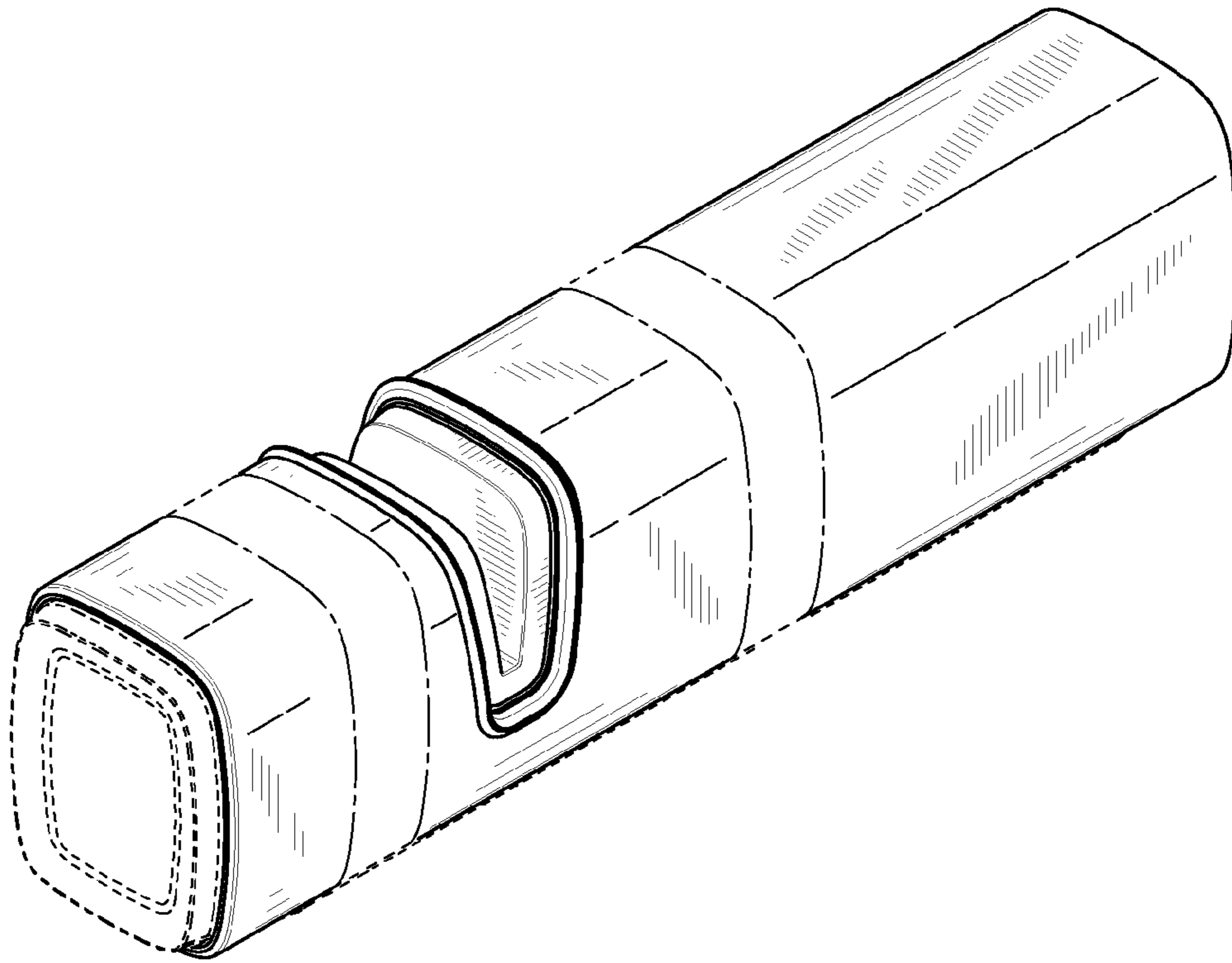


FIGURE 2

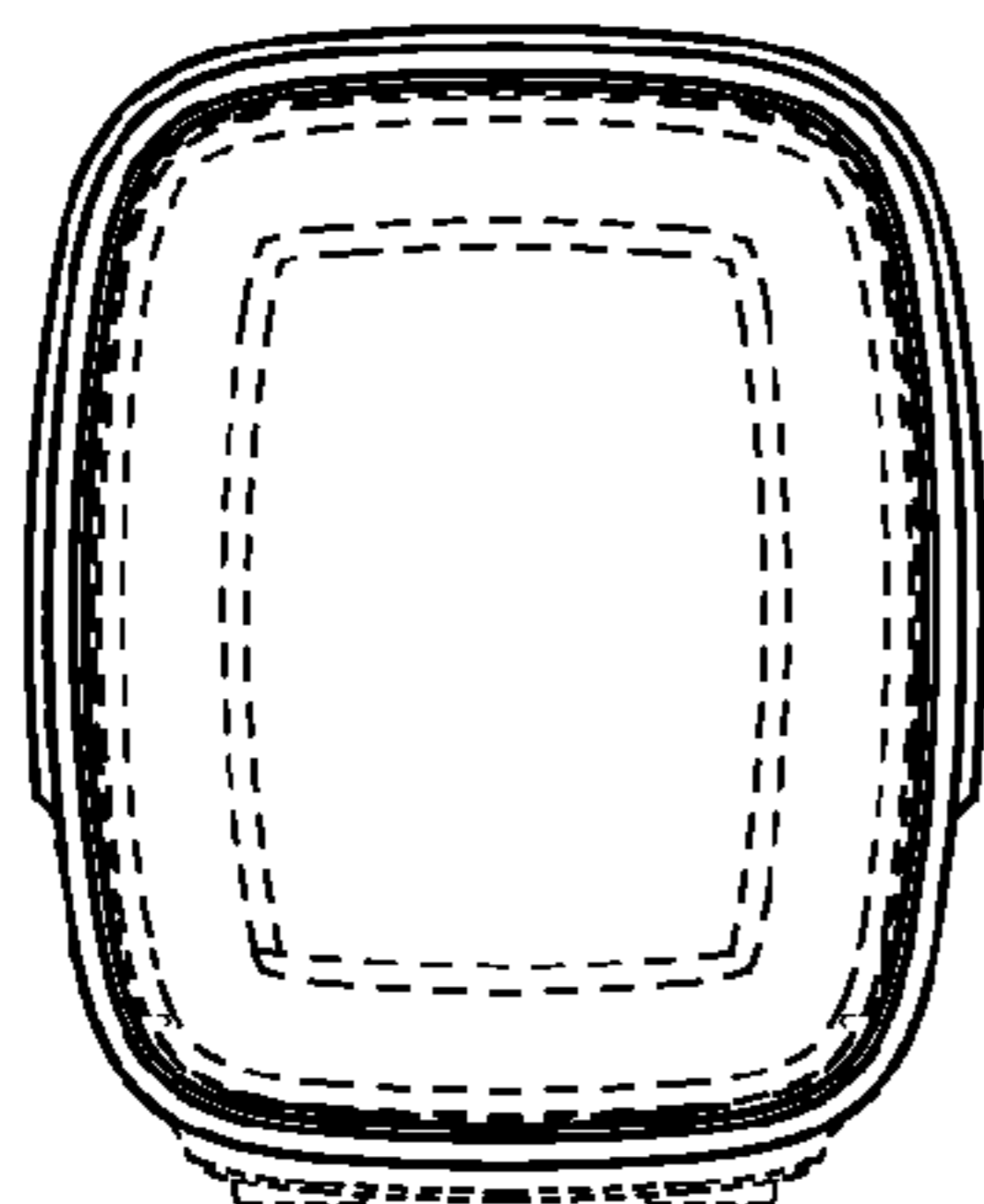


FIGURE 3

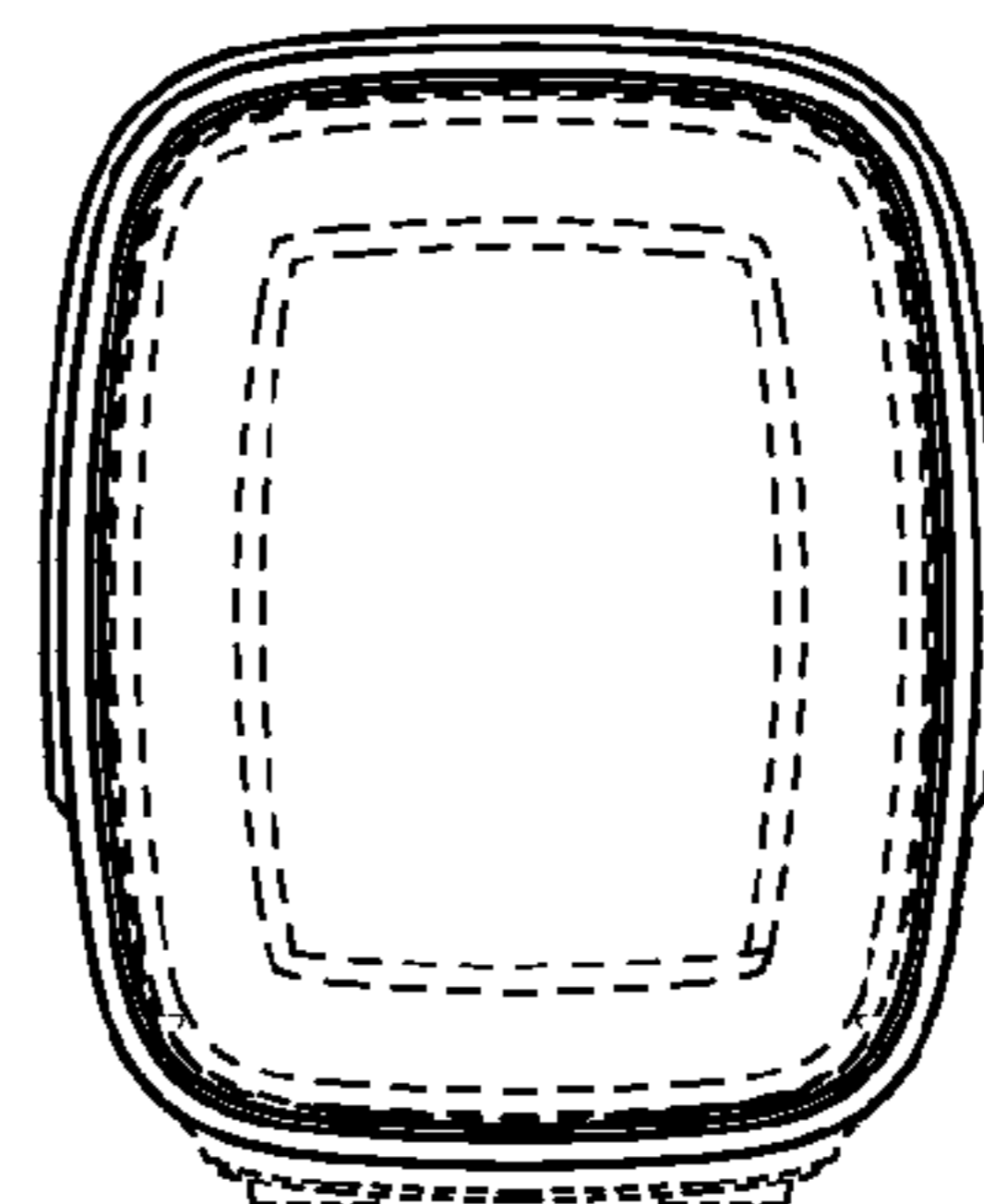


FIGURE 4

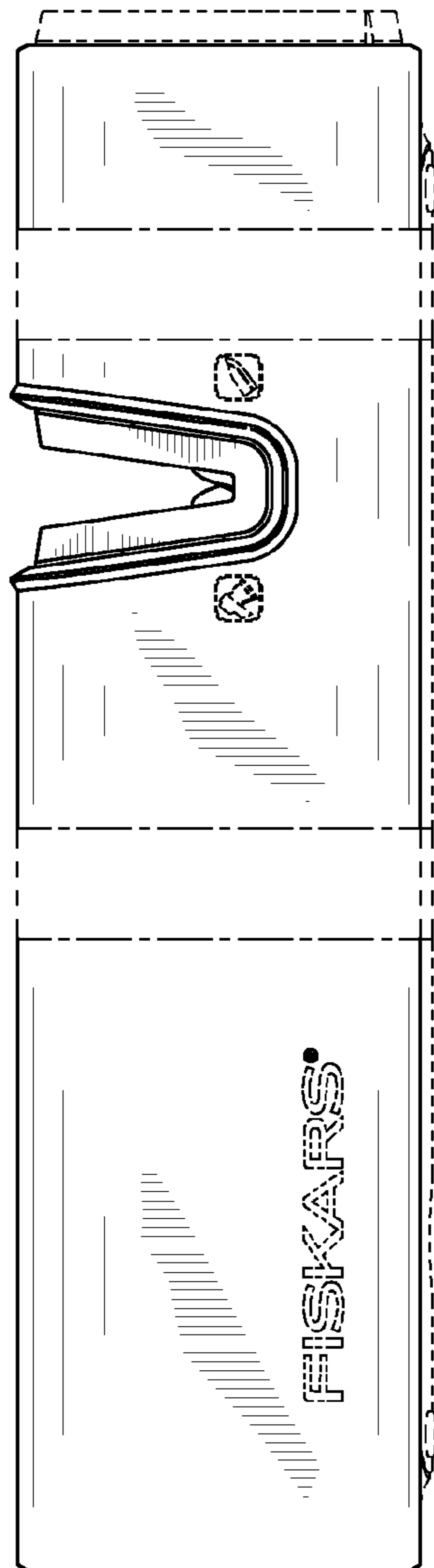


FIGURE 5

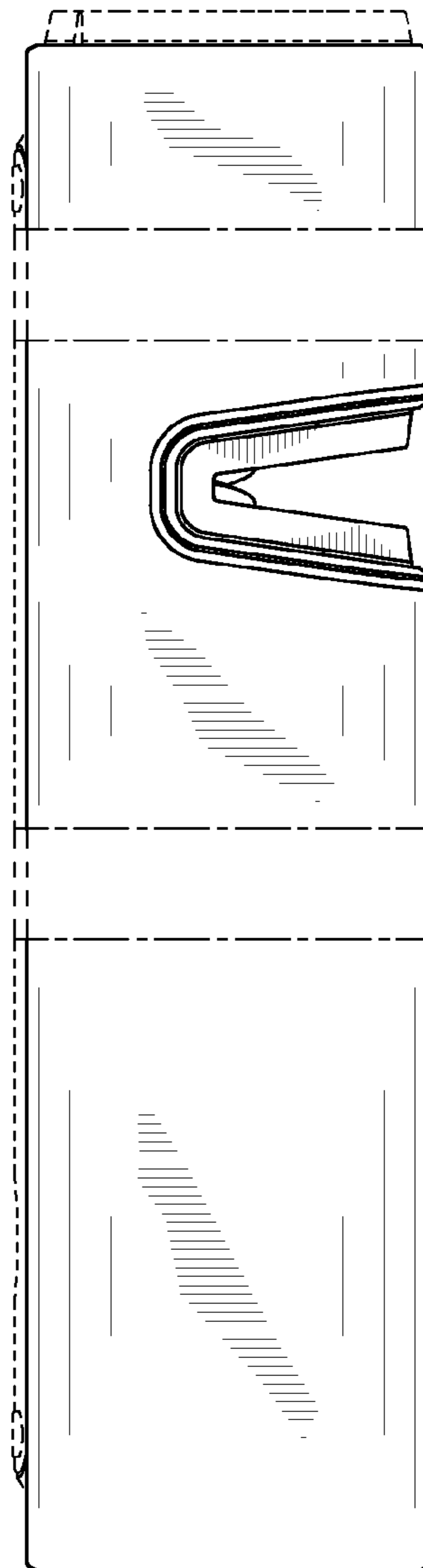


FIGURE 6

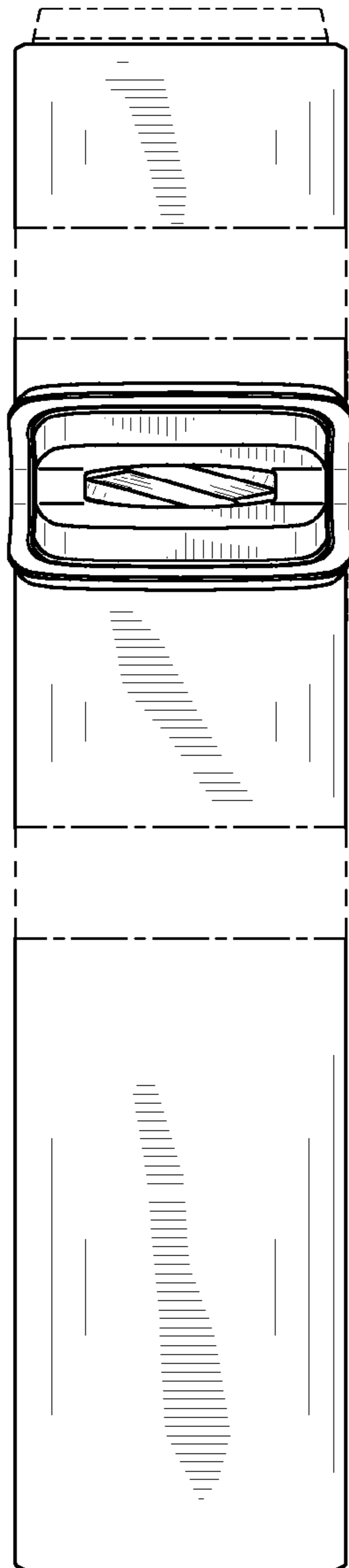


FIGURE 7

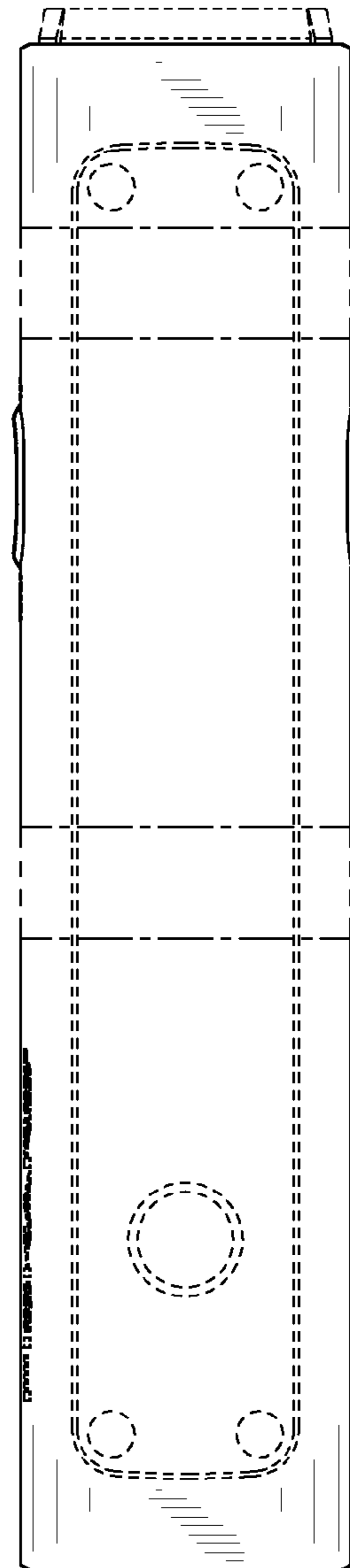


FIGURE 8

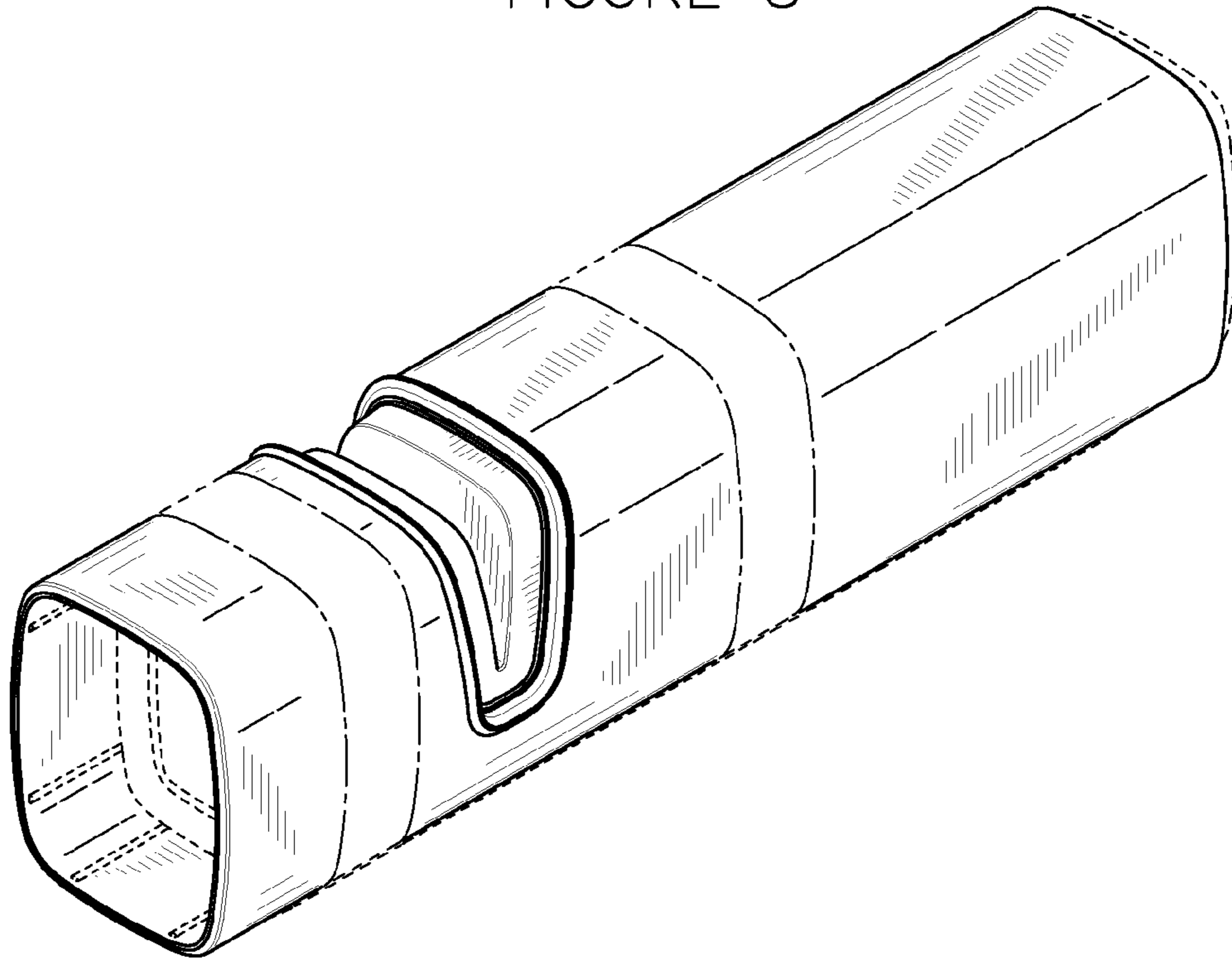


FIGURE 9

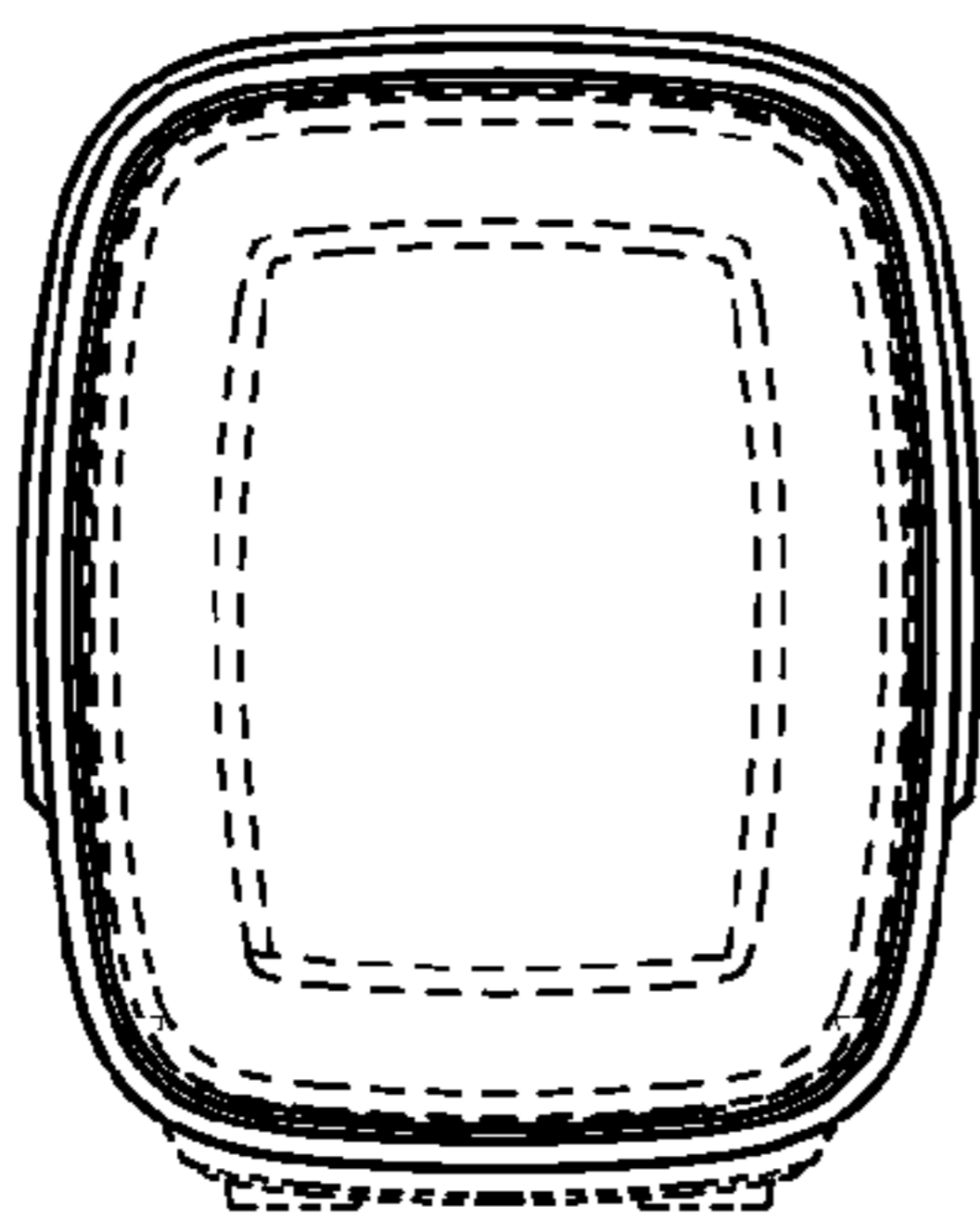


FIGURE 10

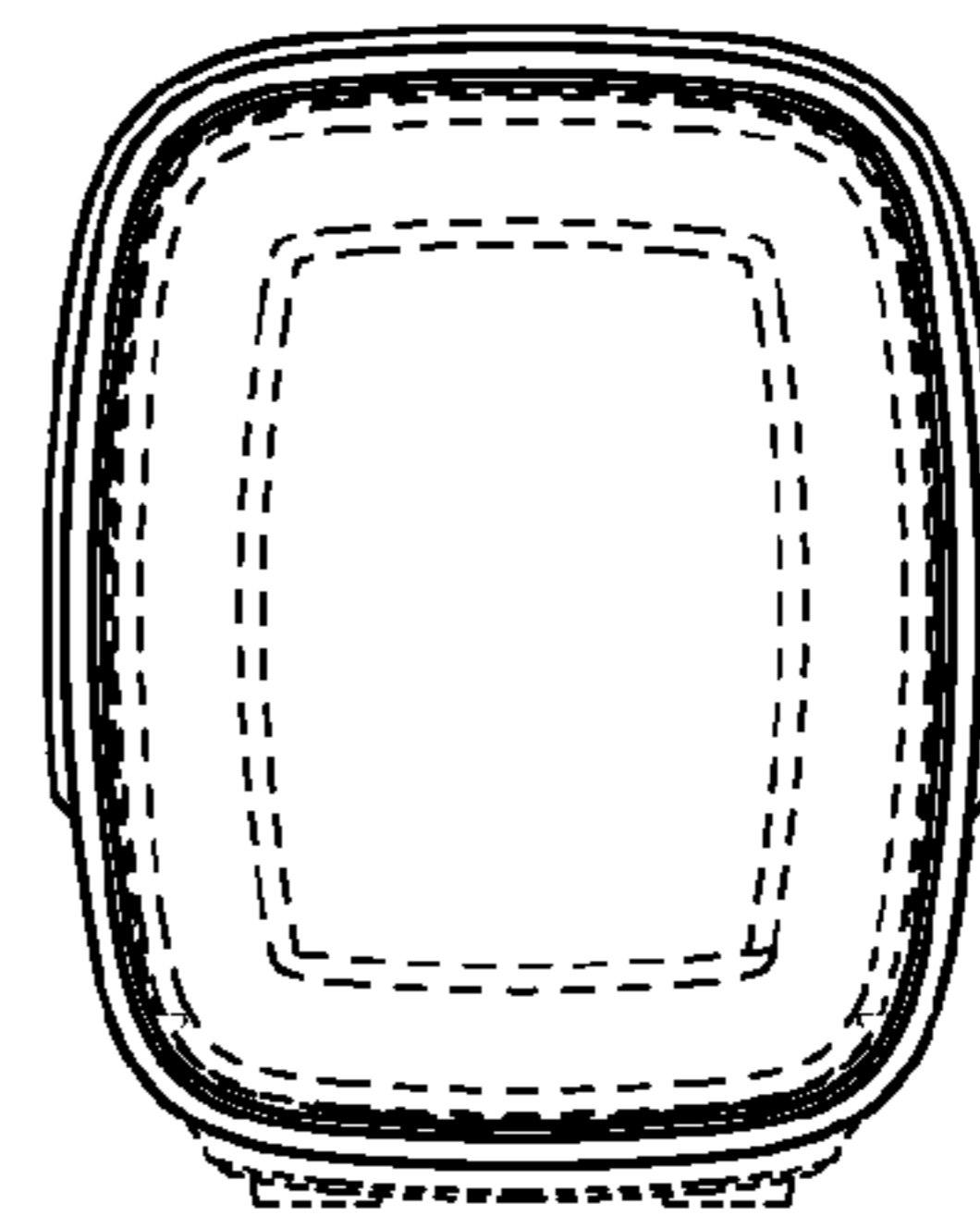


FIGURE 11

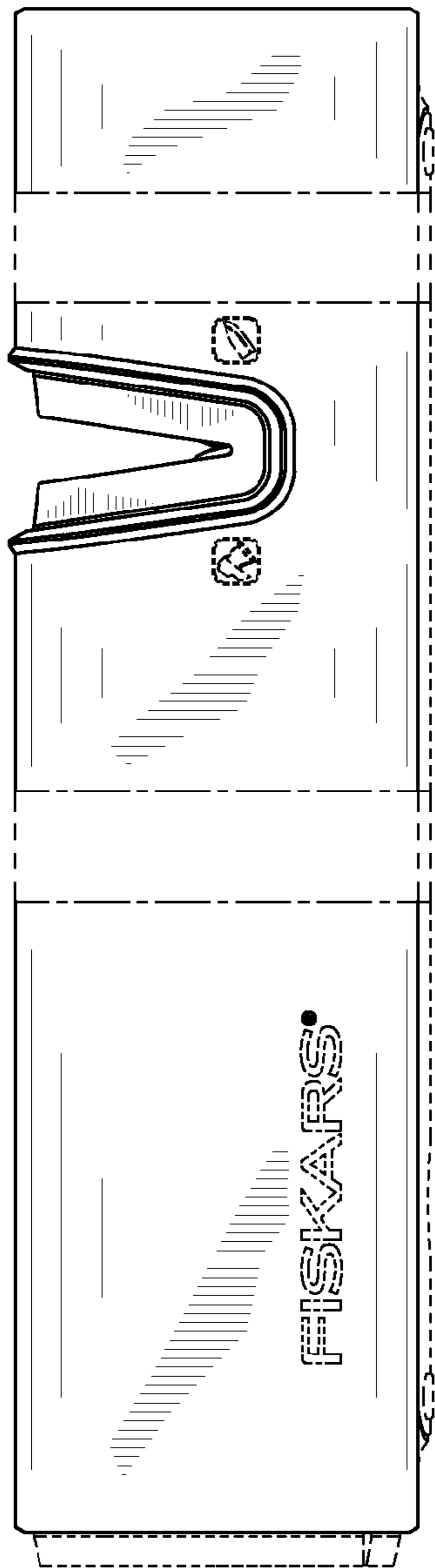


FIGURE 12

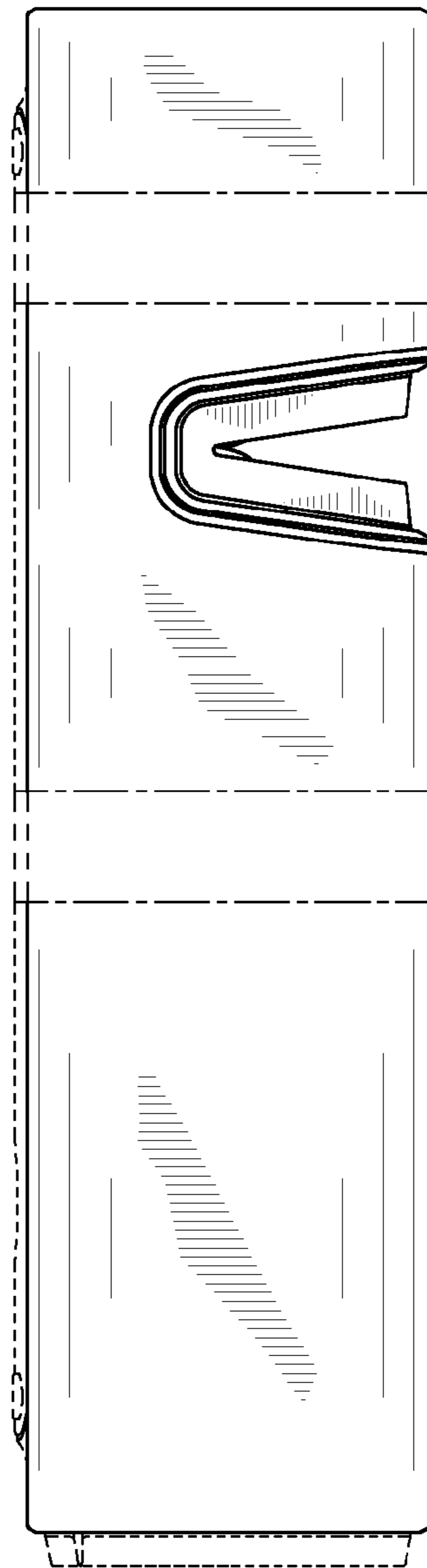


FIGURE 13

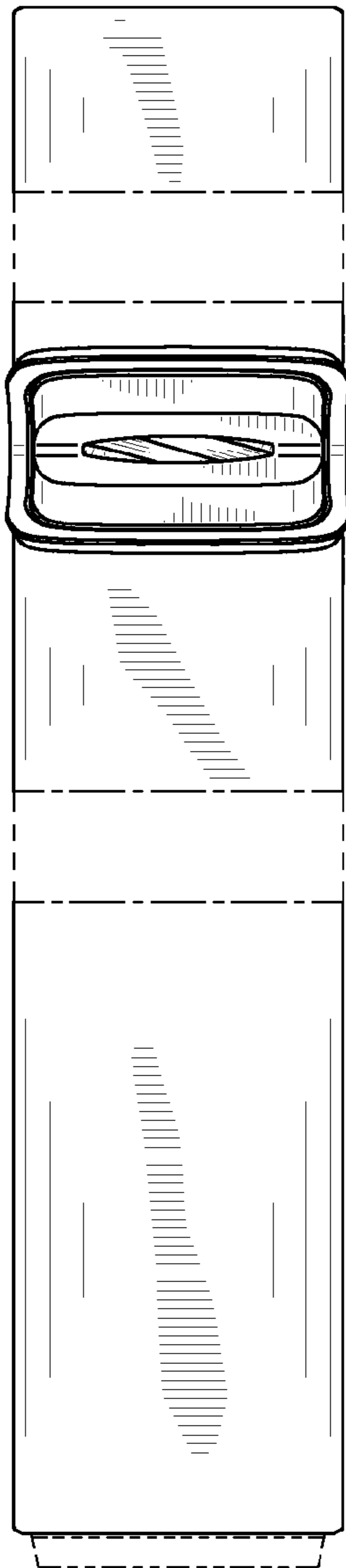


FIGURE 14

