



US00D681414S

(12) **United States Design Patent**
Tatic

(10) **Patent No.:** **US D681,414 S**

(45) **Date of Patent:** **** May 7, 2013**

(54) **TOOL HOLDER**

(75) Inventor: **Aleksandar Tatic**, Ulm (DE)

(73) Assignee: **Gardena Manufacturing GmbH**, Ulm (DE)

(**) Term: **14 Years**

(21) Appl. No.: **29/410,824**

(22) Filed: **Jan. 12, 2012**

(30) **Foreign Application Priority Data**

Jul. 12, 2011 (EM) 001284889

(51) **LOC (9) Cl.** **12-16**

(52) **U.S. Cl.**
USPC **D8/71; D8/373**

(58) **Field of Classification Search** D8/71,
D8/354, 355, 356, 367, 370, 373, 377, 380,
D8/394; D6/326, 547, 548, 552, 553, 554,
D6/555, 566, 567; 211/60.1, 65, 66, 70.6,
211/87.01, 106, 119; 248/110, 309.1, 302;
206/349, 361

See application file for complete search history.

(56) **References Cited**

U.S. PATENT DOCUMENTS

2,102,479	A *	12/1937	Newfield	248/302
2,754,974	A *	7/1956	Larson	211/70.6
3,095,092	A *	6/1963	Magarian	211/70.6
3,374,898	A *	3/1968	Karmin	248/220.41
D247,420	S *	3/1978	Reynolds	D8/373
D293,204	S *	12/1987	Trubiano	D8/380
4,723,663	A *	2/1988	Learn	211/59.2
D343,320	S *	1/1994	Smith	D6/552
5,531,334	A *	7/1996	Forby	211/119
D379,427	S *	5/1997	Laga	D8/373
5,657,881	A *	8/1997	Fourel	211/60.1

D396,371	S *	7/1998	Oliver	D6/552
D401,460	S *	11/1998	Laga	D6/566
D411,066	S *	6/1999	Romeo	D6/567
D417,353	S *	12/1999	Laga	D6/566
D423,269	S *	4/2000	Laga et al.	D6/566
6,254,053	B1 *	7/2001	Taser	248/313
6,681,940	B1 *	1/2004	Cash et al.	211/70.6
D577,575	S *	9/2008	Ernst et al.	D8/373
D577,989	S *	10/2008	Ernst et al.	D8/373
7,654,400	B2 *	2/2010	Orr	211/70.6
7,780,017	B2 *	8/2010	Nguy et al.	211/70.6
D623,120	S *	9/2010	Farber	D12/412
D670,997	S *	11/2012	Thompson et al.	D8/367
2007/0125729	A1 *	6/2007	Krueger	211/60.1
2011/0042333	A1 *	2/2011	Magnusson et al.	211/70.6

* cited by examiner

Primary Examiner — Philip S Hyder

Assistant Examiner — John T Applewhite

(74) *Attorney, Agent, or Firm* — Nelson Mullins Riley & Scarborough LLP

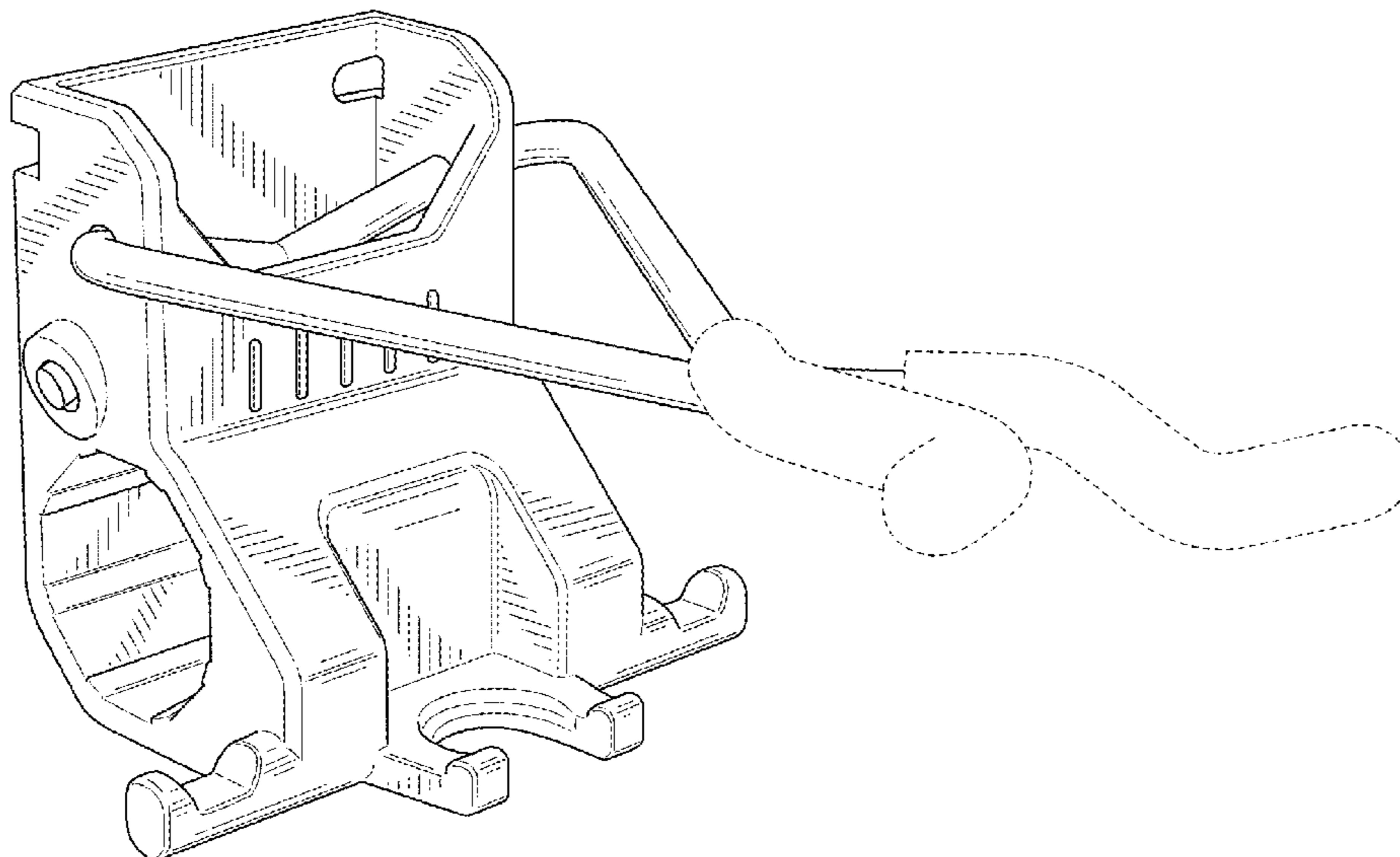
(57) **CLAIM**

The ornamental design for a tool holder, as shown and described.

DESCRIPTION

FIG. 1 is a perspective view of a tool holder in accordance with an embodiment of the present invention; and, FIG. 2 is a top view of the tool holder of FIG. 1; FIG. 3 is a bottom view of the tool holder of FIG. 1; FIG. 4 is a left side view of the tool holder of FIG. 1; FIG. 5 is a right side view of the tool holder of FIG. 1; FIG. 6 is a front view of the tool holder of FIG. 1; and, FIG. 7 is a back view of the tool holder of FIG. 1. The broken lines of FIGS. 1-7 are illustrative of the visible environmental structure of the tool holder and form no part of the claimed design.

1 Claim, 7 Drawing Sheets



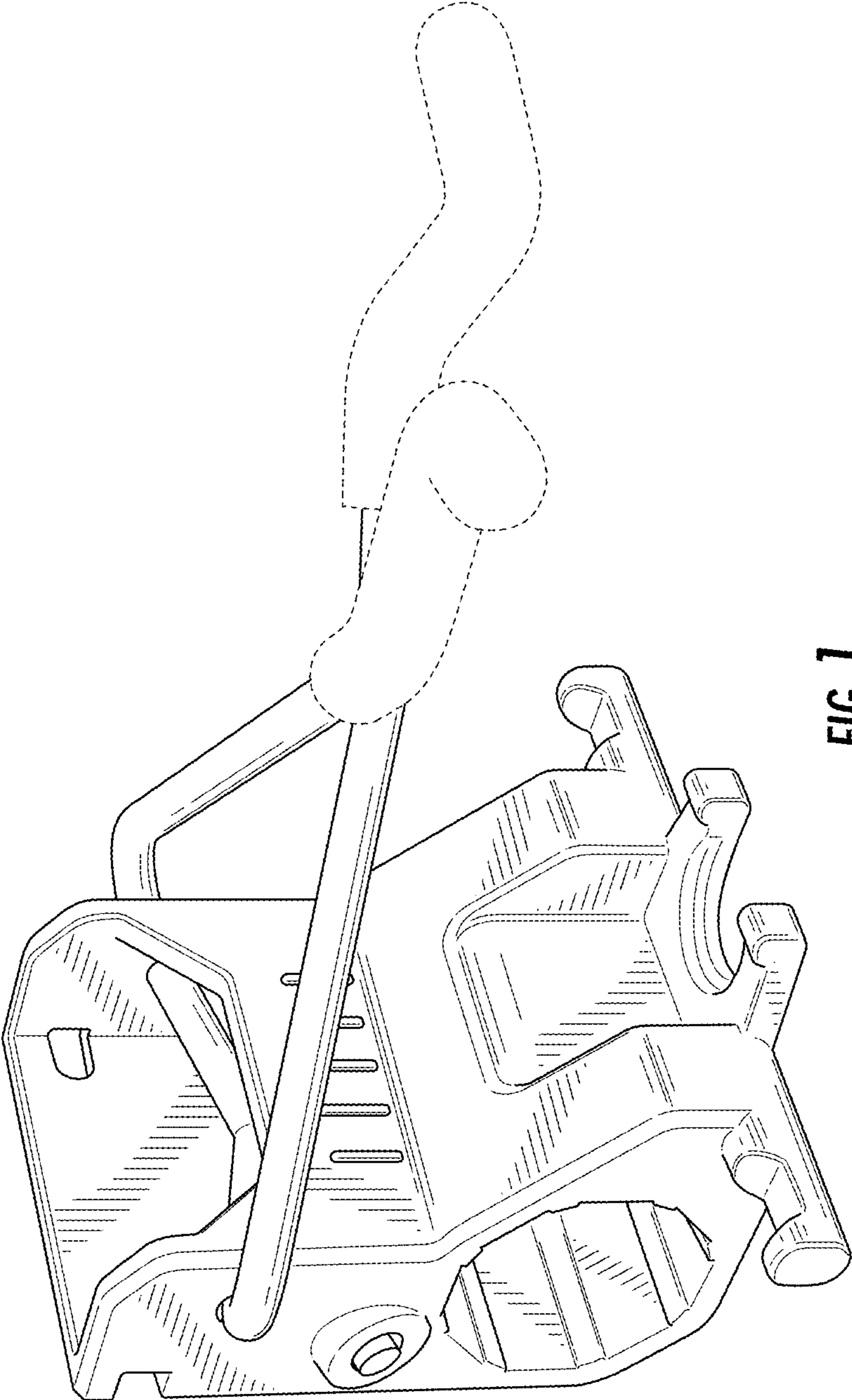


FIG. 1

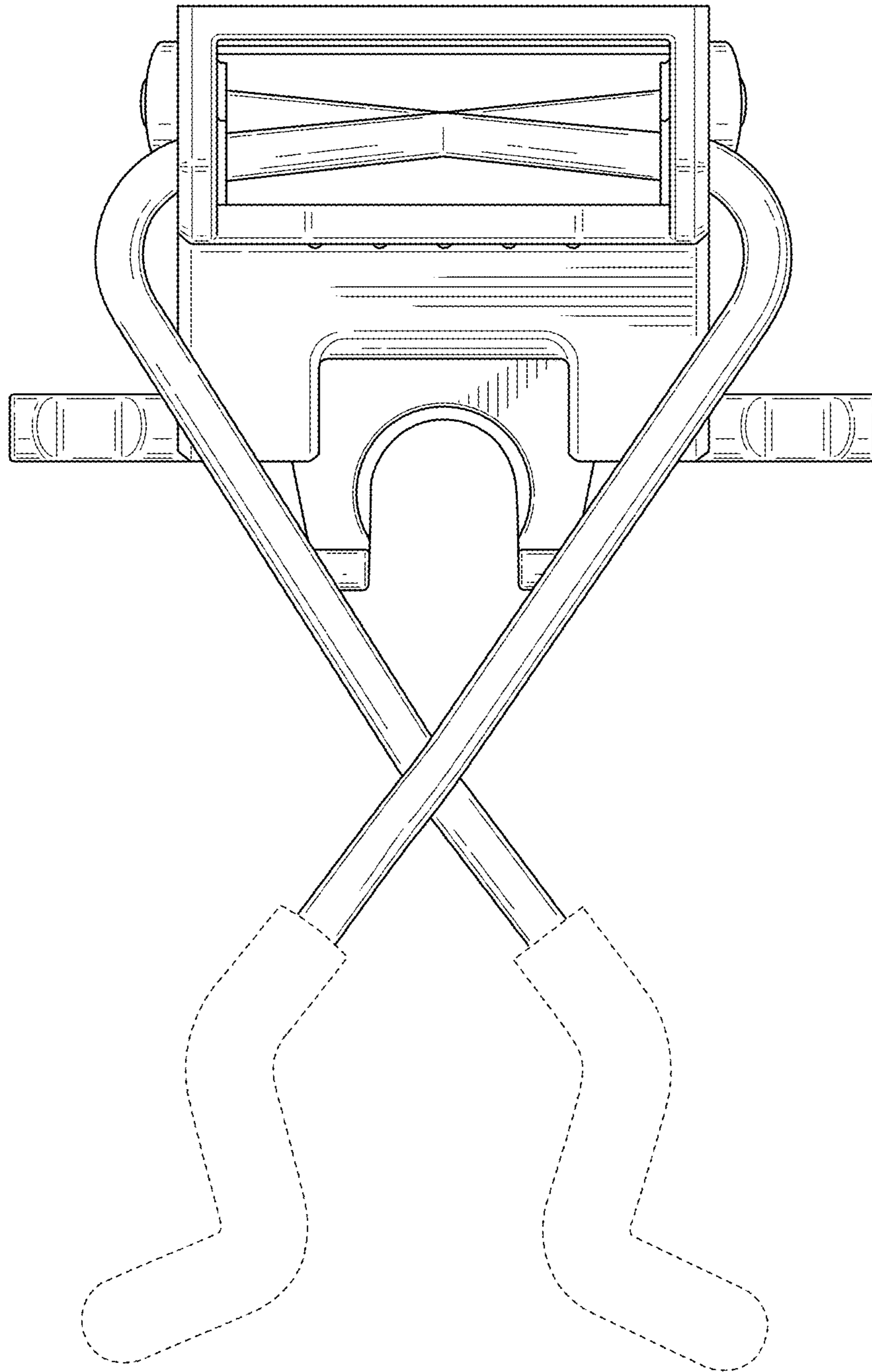


FIG. 2

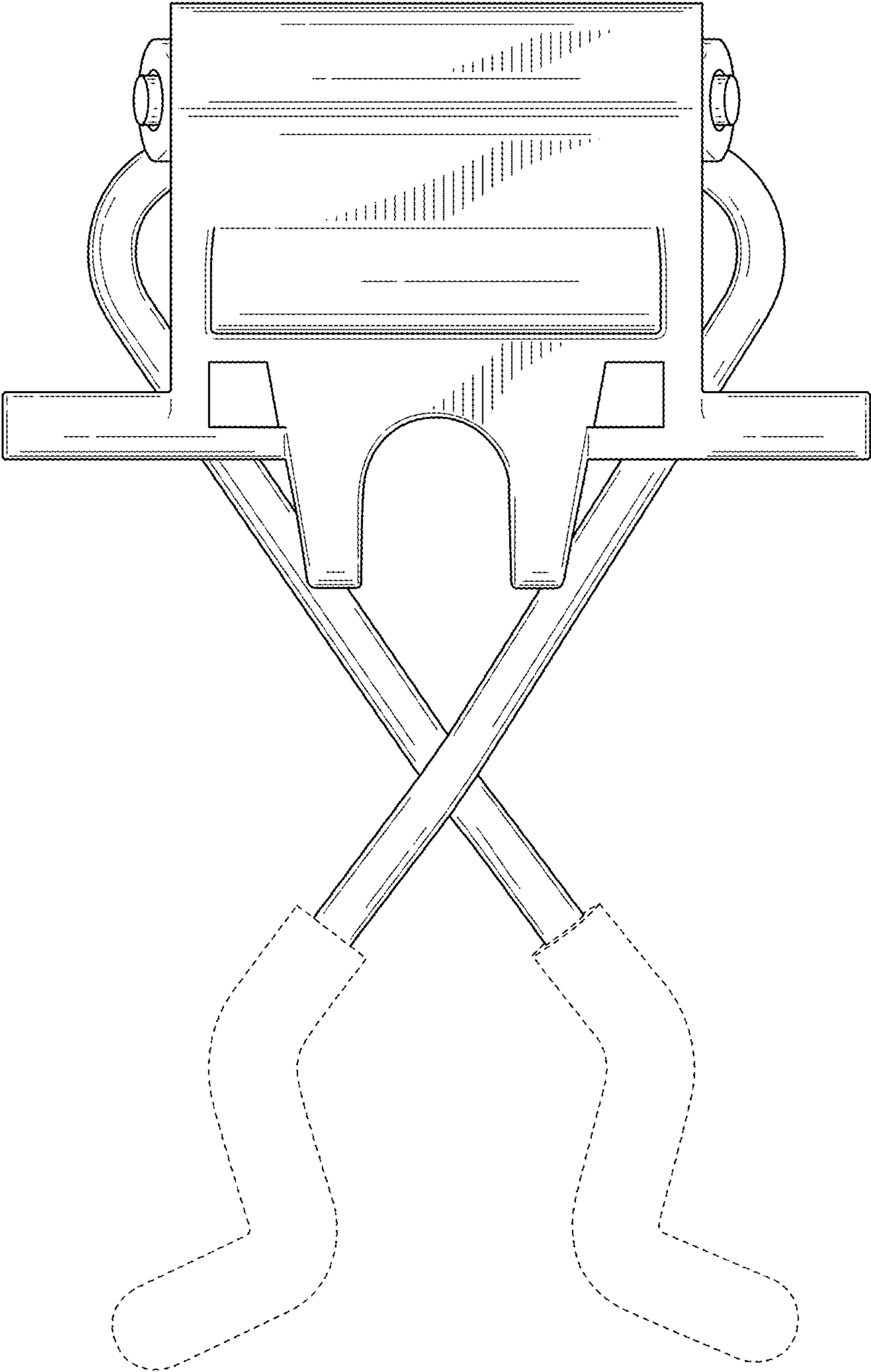


FIG. 3

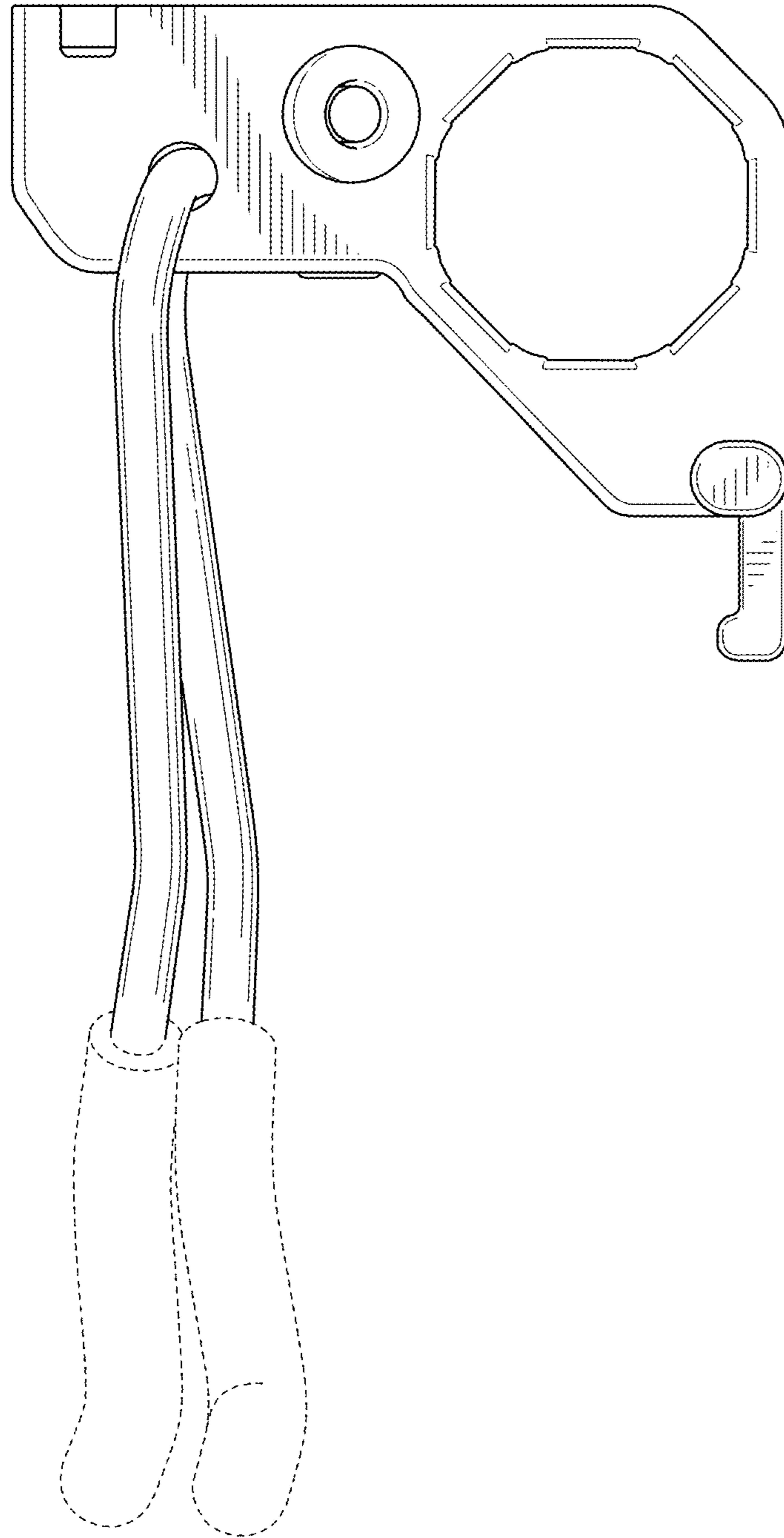


FIG. 4

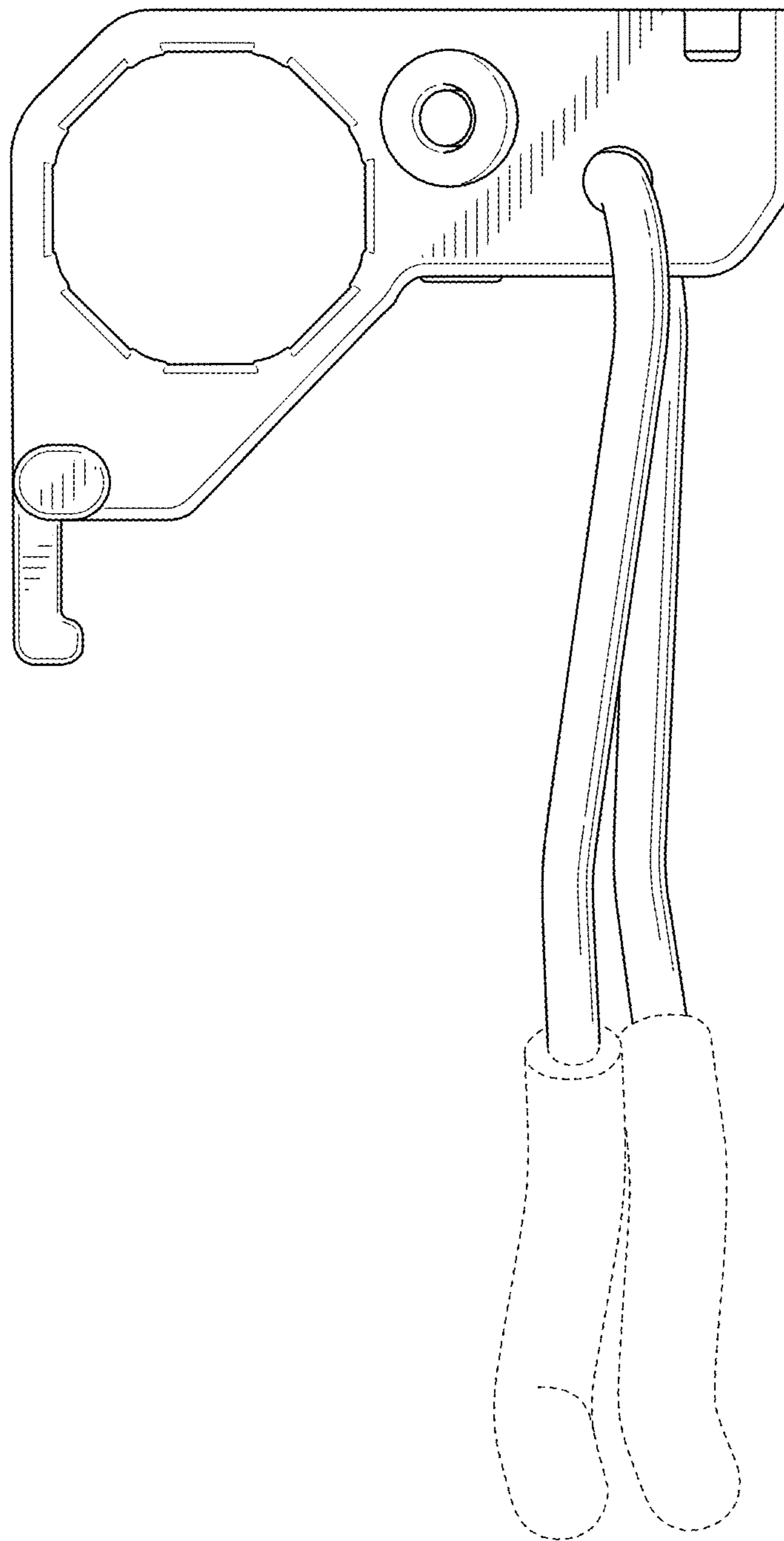


FIG. 5

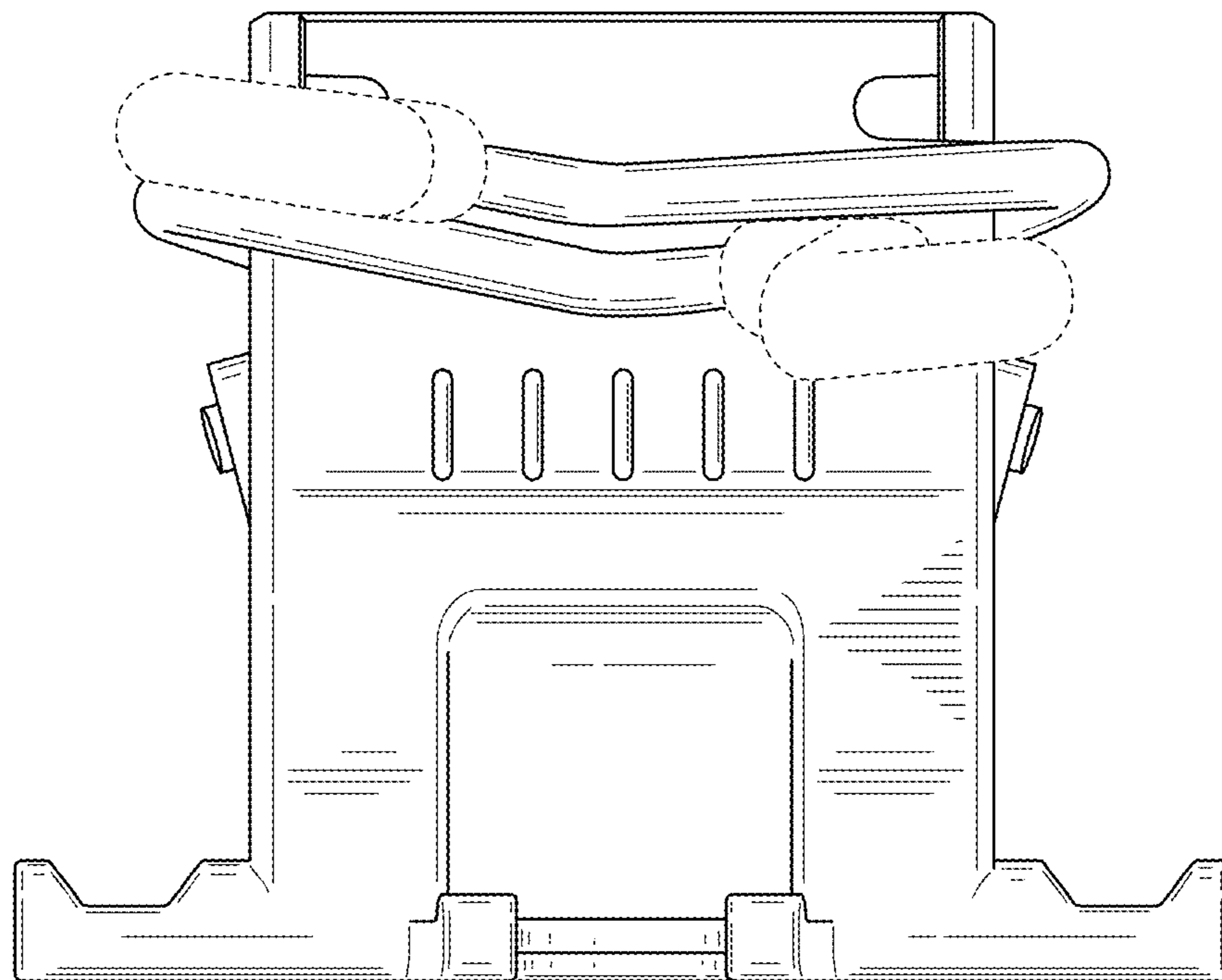


FIG. 6

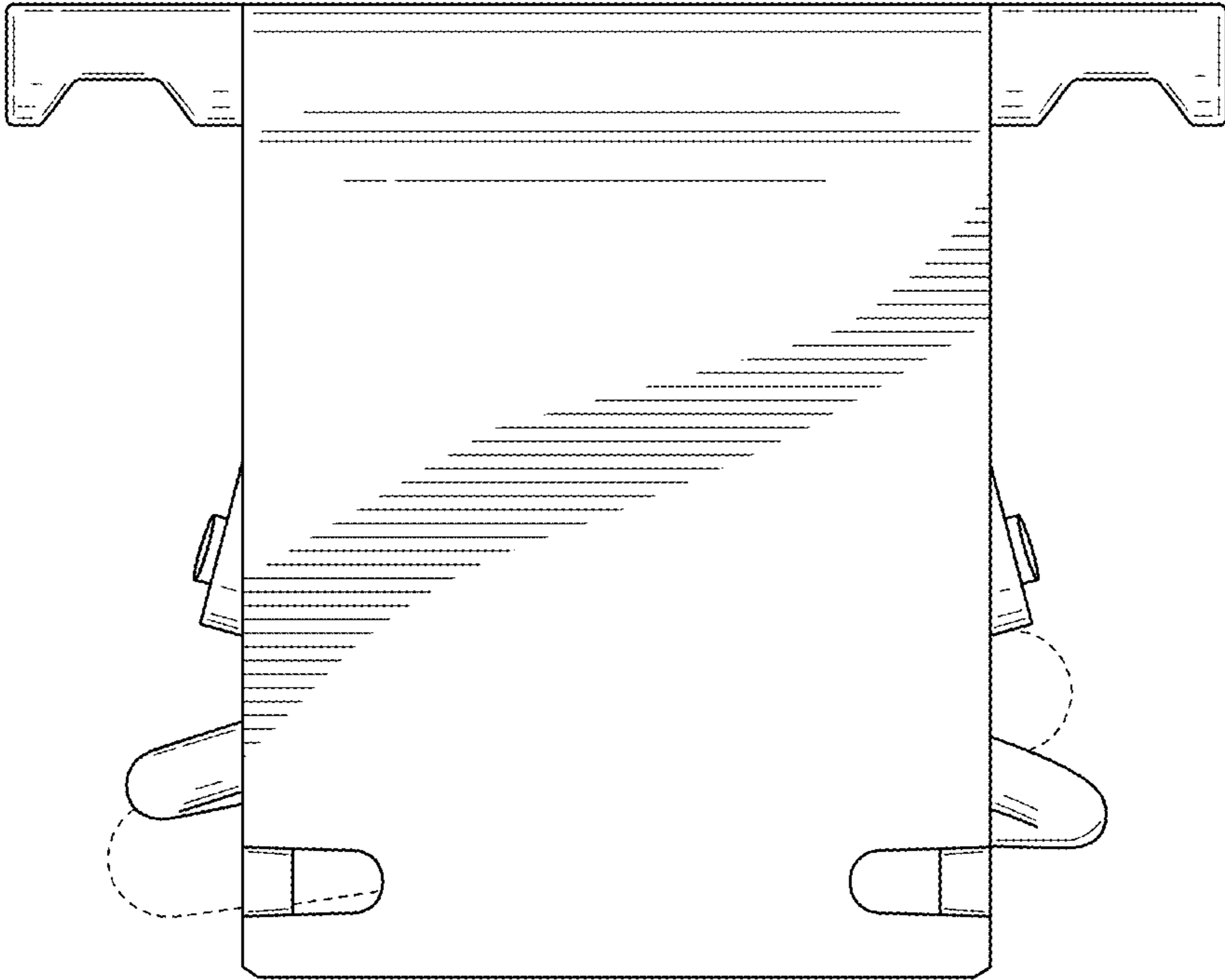


FIG. 7