



US00D681413S

(12) **United States Design Patent**
Kita

(10) **Patent No.:** **US D681,413 S**

(45) **Date of Patent:** **** May 7, 2013**

(54) **CORDLESS ELECTRIC RIVETER**

(75) Inventor: **Toshiyuki Kita**, Osaka (JP)

(73) Assignee: **Lobtex Co., Ltd.**, Osaka (JP)

(**) Term: **14 Years**

(21) Appl. No.: **29/414,626**

(22) Filed: **Mar. 1, 2012**

(30) **Foreign Application Priority Data**

Oct. 7, 2011 (JP) 2011-023137

(51) **LOC (9) Cl.** **08-04**

(52) **U.S. Cl.**
USPC **D8/68; D8/61**

(58) **Field of Classification Search** D8/61,
D8/68; 173/46, 132, 170, 171, 178, 217;
475/149; 408/67, 117, 124, 125
See application file for complete search history.

(56) **References Cited**

U.S. PATENT DOCUMENTS

D340,396 S *	10/1993	Ichikawa	D8/68
D342,430 S *	12/1993	Saito et al.	D8/68
D392,863 S *	3/1998	Sugimoto et al.	D8/68
D404,276 S *	1/1999	Ghode et al.	D8/68
D424,902 S *	5/2000	Gildersleeve et al.	D8/68
D462,594 S *	9/2002	Flickinger	D8/68
D469,673 S *	2/2003	Sliker et al.	D8/68
D484,384 S *	12/2003	Ghode et al.	D8/68
D487,219 S *	3/2004	Chudy et al.	D8/68
6,729,415 B1 *	5/2004	Huang	173/217
6,860,342 B1 *	3/2005	Wu et al.	173/217
D504,604 S *	5/2005	Leasure et al.	D8/68
D515,377 S *	2/2006	Chung et al.	D8/68

D521,338 S *	5/2006	Wai	D8/68
D522,337 S *	6/2006	Junkers	D8/68
D525,100 S *	7/2006	Huang et al.	D8/68
D534,048 S *	12/2006	Tsai et al.	D8/68
D535,536 S *	1/2007	Ghode et al.	D8/68
D536,944 S *	2/2007	Tsai et al.	D8/68
D545,159 S *	6/2007	Schoen et al.	D8/68
D559,060 S *	1/2008	Lopano	D8/68
D565,375 S *	4/2008	Shi	D8/68
D587,082 S *	2/2009	Seewraj et al.	D8/68
D590,685 S *	4/2009	Sterling	D8/70
D592,479 S *	5/2009	Price et al.	D8/70
D593,386 S *	6/2009	Liao	D8/68

* cited by examiner

Primary Examiner — Philip S Hyder

Assistant Examiner — John T Applewhite

(74) *Attorney, Agent, or Firm* — The Webb Law Firm

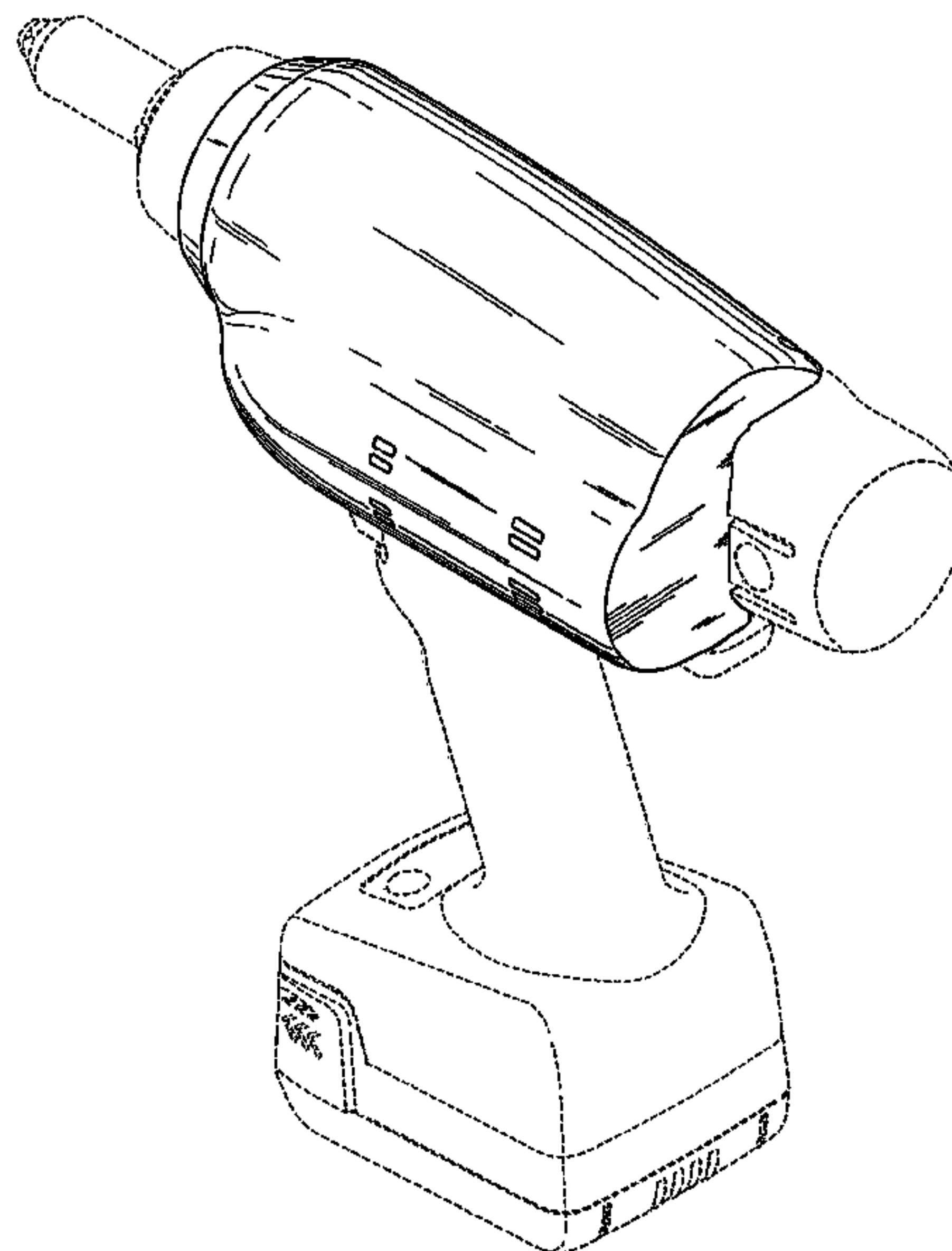
(57) **CLAIM**

The ornamental design for a cordless electric riveter, as shown and described.

DESCRIPTION

FIG. 1 is an upper right front perspective view of a cordless electric riveter showing my new design;
FIG. 2 is an upper left rear perspective view thereof;
FIG. 3 is a front view thereof;
FIG. 4 is a rear view thereof;
FIG. 5 is a top view thereof;
FIG. 6 is a bottom view thereof;
FIG. 7 is a right side view thereof; and,
FIG. 8 is a left side view thereof.
The broken line showings of FIGS. 1-8 are environmental only and not part of the claimed design.

1 Claim, 6 Drawing Sheets



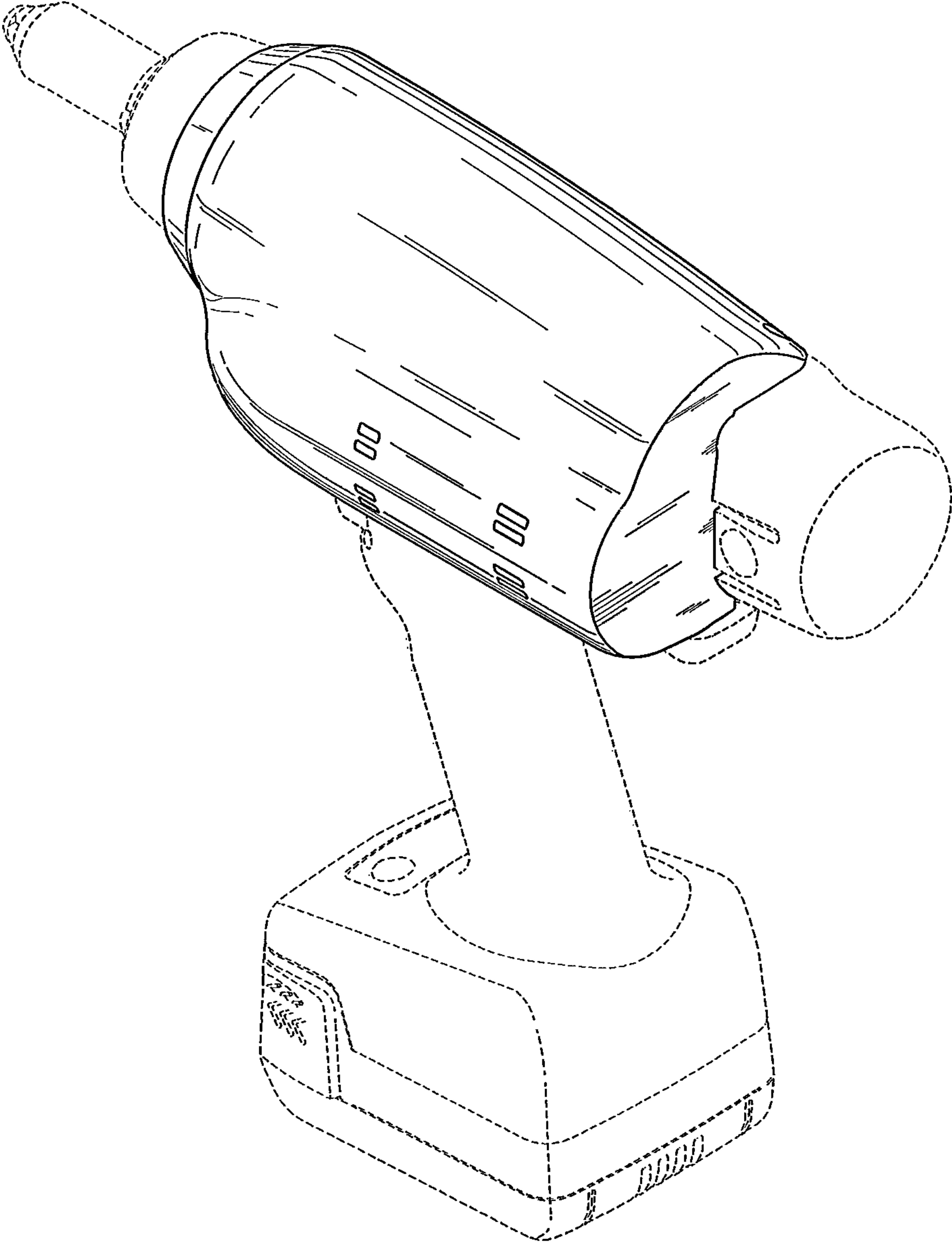


FIG. 1

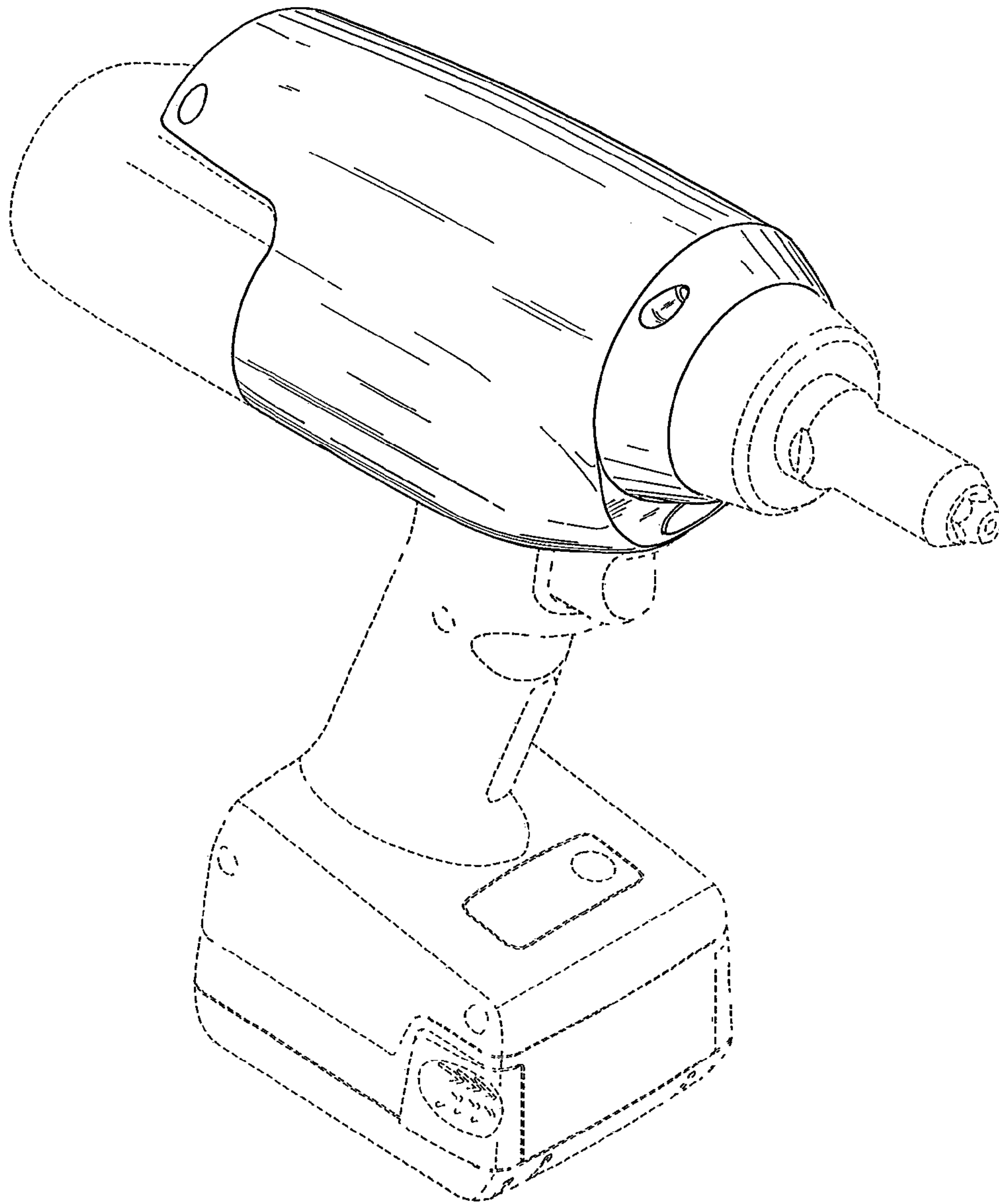


FIG. 2

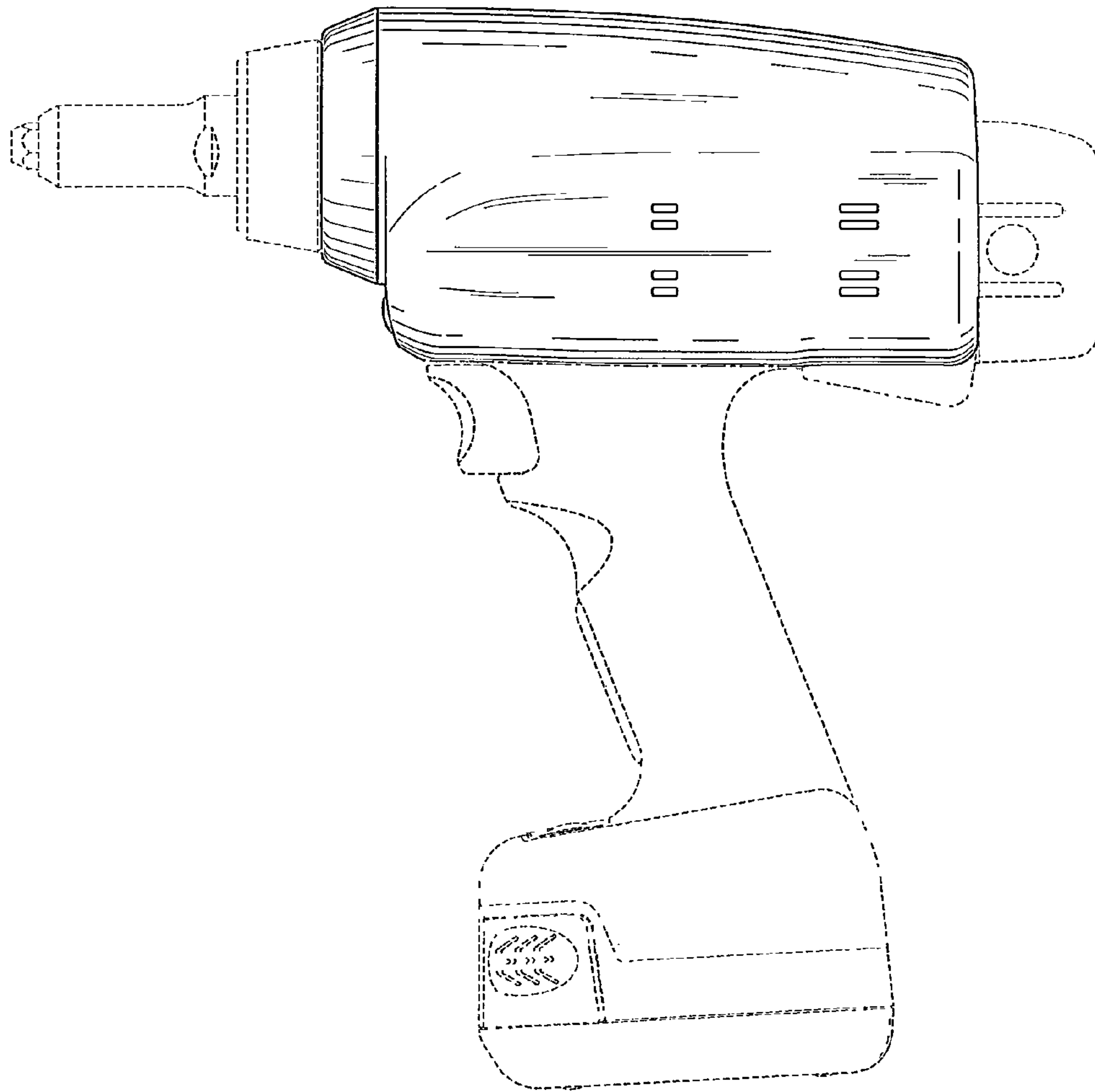


FIG. 3

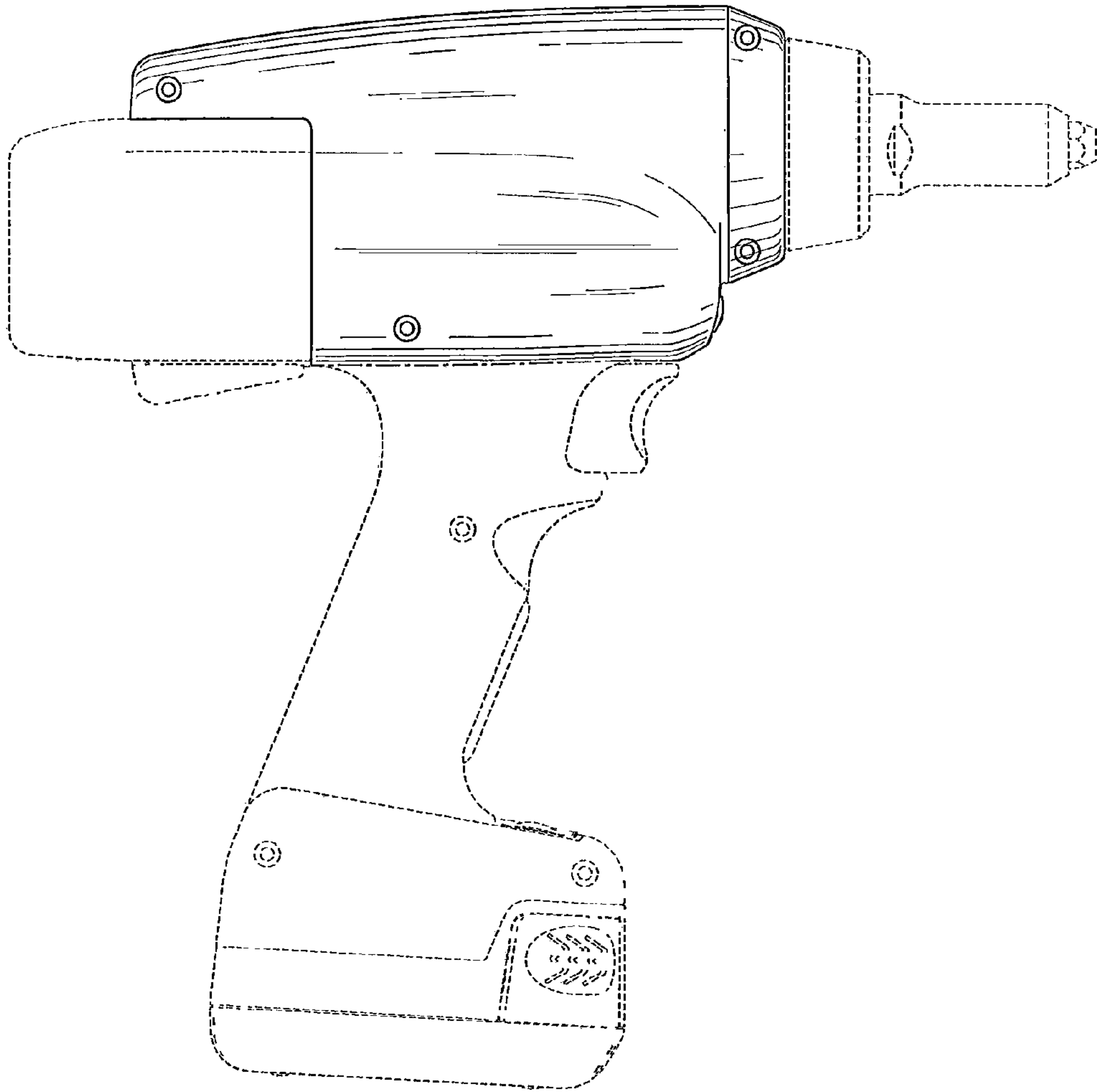


FIG. 4

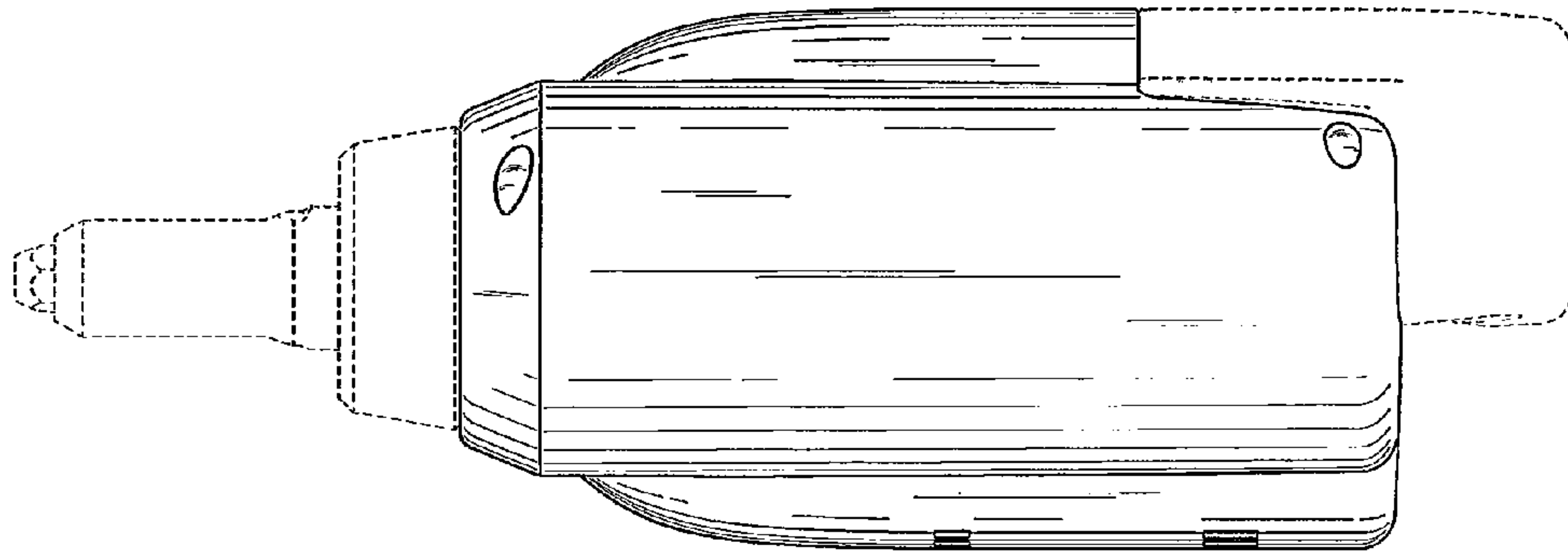


FIG. 5

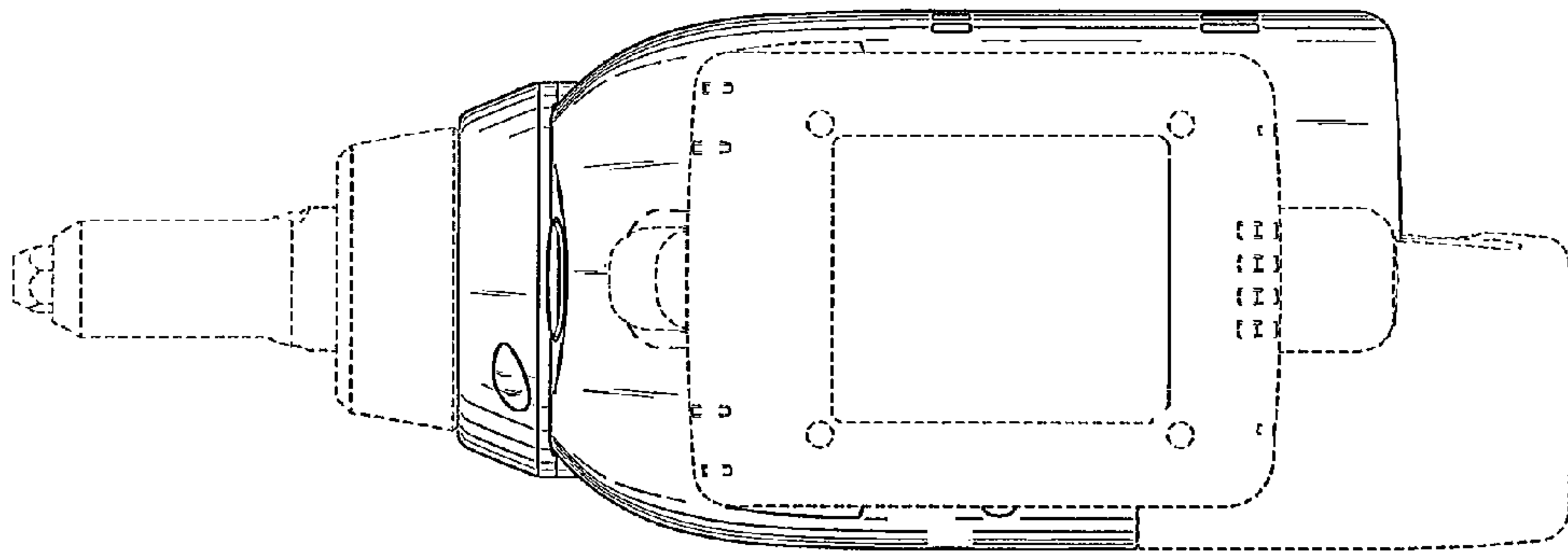


FIG. 6

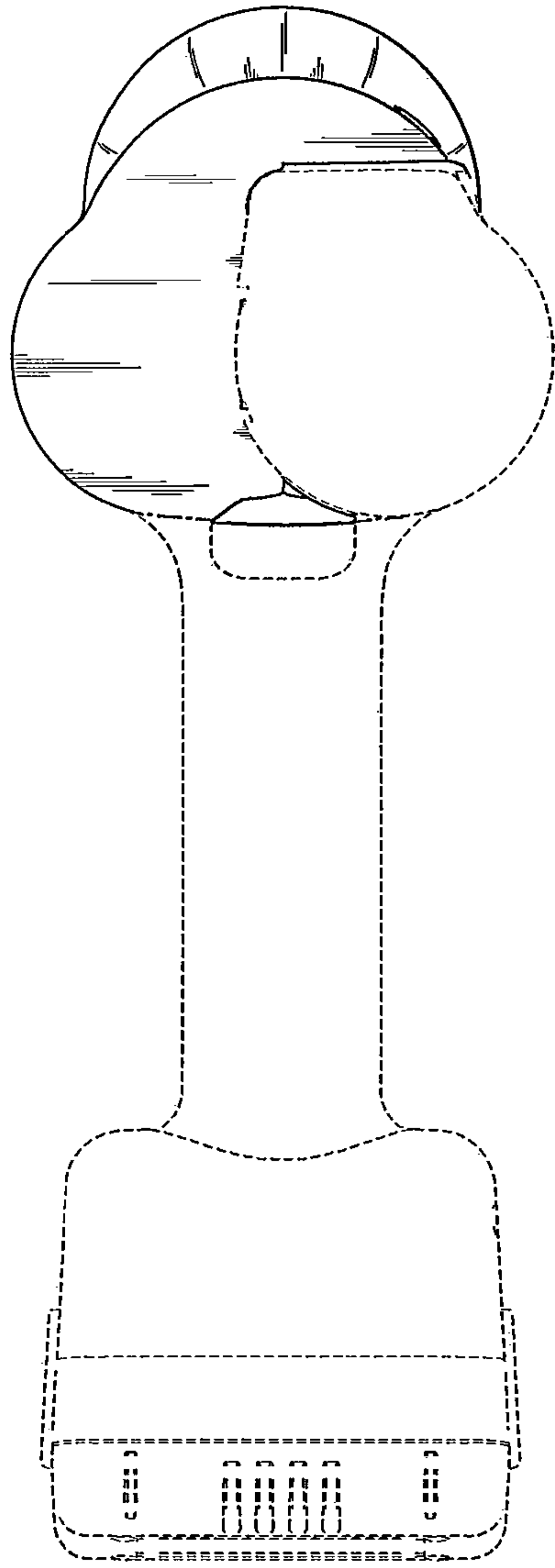


FIG. 7

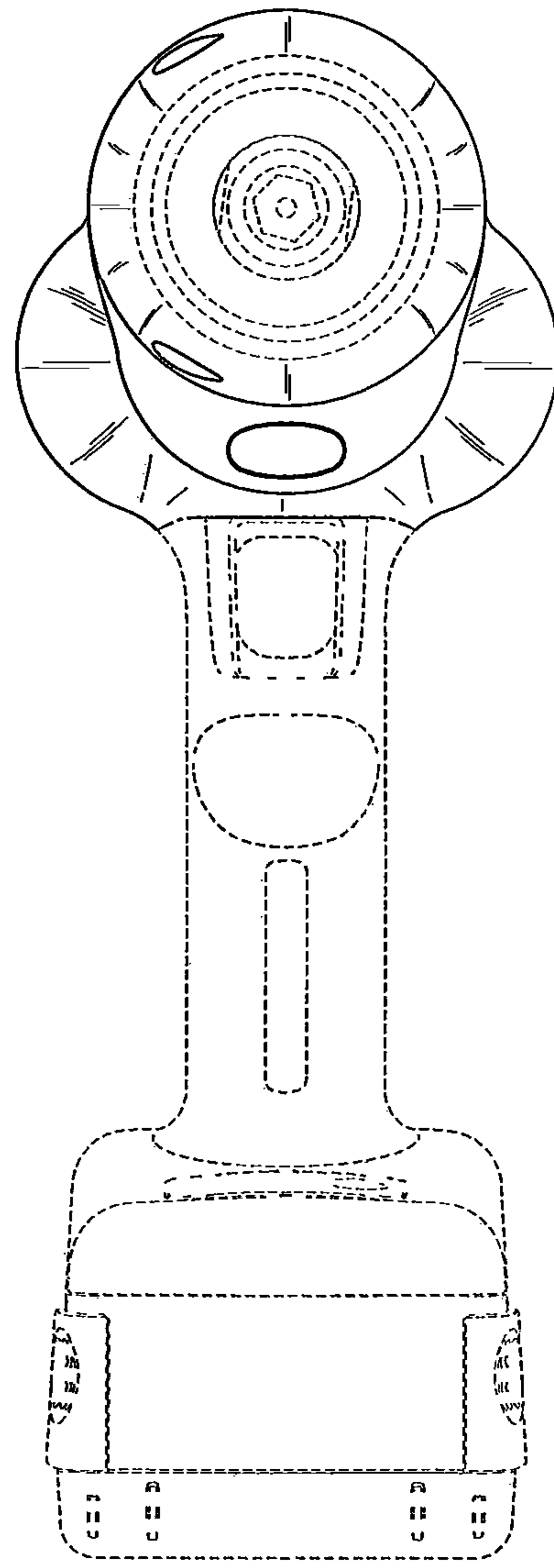


FIG. 8