



US00D681411S

(12) **United States Design Patent**
Qin et al.

(10) **Patent No.:** **US D681,411 S**

(45) **Date of Patent:** **** May 7, 2013**

(54) **RATCHET LOCK**

4,685,315 A 8/1987 Comolli
4,987,653 A 1/1991 Lin
5,048,649 A * 9/1991 Carpenter et al. 190/18 A

(75) Inventors: **Jason Qin**, Guangzhou (CN); **Chen Weiguo**, Ningbo (CN)

(Continued)

(73) Assignee: **Master Lock Company LLC**, Oak Creek, WI (US)

FOREIGN PATENT DOCUMENTS

DE 2717157 9/1978
EP 0042257 12/1981

(Continued)

(**) Term: **14 Years**

OTHER PUBLICATIONS

(21) Appl. No.: **29/400,523**

Product Brochure, "16Ft Lock-Down 4,8 m Amarre de Trinquete", Keeper Corporation, 7 pages.

(22) Filed: **Aug. 30, 2011**

(Continued)

(51) **LOC (9) Cl.** **08-05**

(52) **U.S. Cl.**

USPC **D8/44**

(58) **Field of Classification Search** D8/44;
24/68 CD, 69 ST, 70 ST; 254/217-220, 223,
254/225, 239; 410/100, 103

See application file for complete search history.

Primary Examiner — Philip S Hyder

Assistant Examiner — RoseLynne Cody

(74) *Attorney, Agent, or Firm* — Calfee, Halter & Griswold LLP

(57) **CLAIM**

We claim the ornamental design for a ratchet lock, as shown and described.

(56) **References Cited**

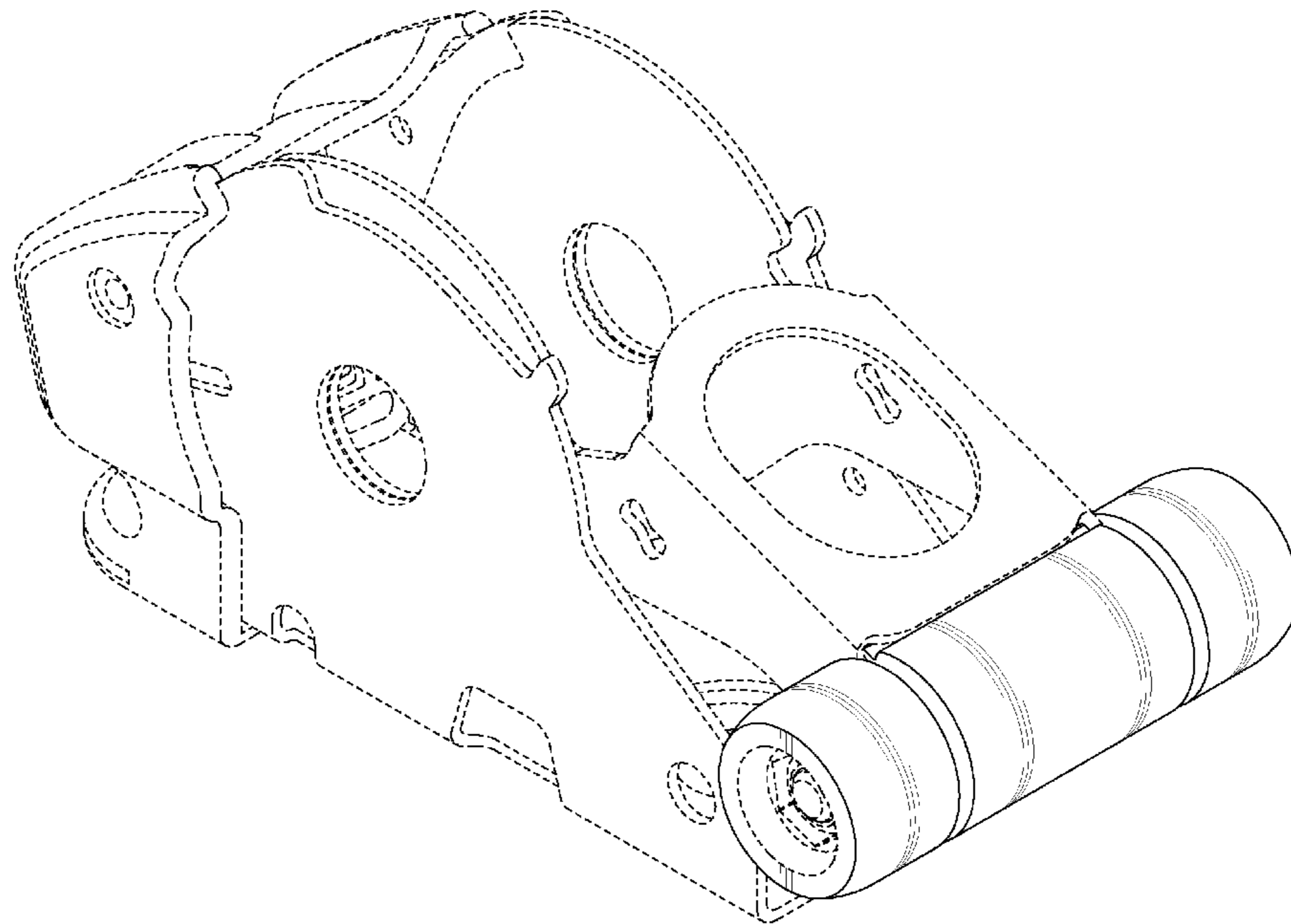
U.S. PATENT DOCUMENTS

693,079	A	2/1902	Stoneman	
700,158	A	5/1902	Stoneman	
1,738,862	A *	12/1929	Wiswell	74/502
2,071,954	A *	2/1937	Scruggs	279/52
2,506,366	A *	5/1950	Korn	30/292
3,458,895	A *	8/1969	Miller	29/278
3,592,028	A	7/1971	LaMonica	
3,699,843	A	10/1972	Sweeny	
3,875,771	A	4/1975	Reisner	
3,972,104	A *	8/1976	Partin et al.	29/280
4,120,216	A *	10/1978	Goldberg	81/3.57
4,185,360	A	1/1980	Prete, Jr. et al.	
D266,828	S	11/1982	Prete, Jr.	
4,542,883	A	9/1985	Rutzki	
4,622,721	A	11/1986	Smetz et al.	

DESCRIPTION

FIG. 1 is a front perspective view of a ratchet lock showing the new design;
FIG. 2 is a front view of the lock of FIG. 1;
FIG. 3 is a rear view of the lock of FIG. 1;
FIG. 4 is a top view of the lock of FIG. 1;
FIG. 5 is a bottom view of the lock of FIG. 1;
FIG. 6 is a left side view of the lock of FIG. 1; and,
FIG. 7 is a right side view of the lock of FIG. 1.
In the drawings, the broken lines depict portions of the ratchet lock that form no part of the claim.

1 Claim, 6 Drawing Sheets



US D681,411 S

Page 2

U.S. PATENT DOCUMENTS

D322,557	S	12/1991	Cummings	
5,103,536	A	4/1992	Kamper	
D328,840	S	8/1992	Jensen	
5,205,020	A	4/1993	Kamper	
5,271,606	A	12/1993	Kamper	
5,549,429	A	8/1996	Sergent	
5,669,253	A	9/1997	Higgins	
5,692,403	A	12/1997	Ling	
5,778,496	A	7/1998	Huang	
5,819,377	A	10/1998	Huang	
5,943,742	A	8/1999	Huang	
6,007,053	A	12/1999	Huang	
6,044,669	A	4/2000	Levi	
6,125,682	A	10/2000	Rzasa et al.	
6,195,848	B1	3/2001	Jackson et al.	
6,199,412	B1	3/2001	Kennedy	
6,510,717	B1	1/2003	Levi	
6,524,041	B1	2/2003	Voiculescu	
6,547,218	B2	4/2003	Landy	
6,654,897	B1	11/2003	Dreps et al.	
6,684,667	B2	2/2004	Young	
6,705,811	B1	3/2004	Selby	
6,711,768	B2	3/2004	Maldonado	
6,880,810	B1	4/2005	Hu	
6,883,354	B1	4/2005	Yu	
D507,480	S	7/2005	Kopp et al.	
D526,560	S *	8/2006	Poitrey	D8/395
D527,605	S *	9/2006	Jackson	D8/107
7,121,122	B2	10/2006	Levi	
D534,051	S *	12/2006	Jackson	D8/107
7,424,813	B2	9/2008	Wu	
D579,741	S *	11/2008	Selby	D8/44
7,503,736	B1	3/2009	Chen	
D661,562	S *	6/2012	Stevens et al.	D8/44
2001/0045548	A1	11/2001	Landy	
2006/0197071	A1	9/2006	Huang	
2007/0189873	A1	8/2007	Breeden	
2009/0119892	A1	5/2009	Breeden et al.	
2009/0133235	A1 *	5/2009	Chang	24/68 CD
2012/0167707	A1 *	7/2012	Chang	74/491

FOREIGN PATENT DOCUMENTS

EP	0042258	12/1981
EP	0085965	8/1983
EP	0104155	3/1984
EP	0246210	11/1987
EP	0311828	4/1989
EP	0429610	6/1991

EP	04555085	11/1991
EP	0489376	6/1992
EP	0504557	9/1992
EP	0580392	7/1993
EP	0634305	1/1995
EP	0580392 B1	4/1996
EP	0736698	10/1996
EP	2740521	4/1997
EP	0848188	6/1998
EP	1151687	11/2001
EP	1266797	12/2002
EP	1464537	6/2004
EP	1524149	4/2005
EP	2008867	6/2007
EP	1876374 A1	1/2008
EP	1939037	2/2008
EP	1899195	3/2008
FR	2433345	3/1980
FR	2550694	2/1985
FR	2152003	7/1985
FR	2740521	4/1997
FR	2783737	3/2000
FR	2844229	3/2004
FR	0754925	11/2008
GB	2044873	10/1980
GB	2105805	3/1983
GB	2147071 A	5/1985
GB	2148436	5/1985
GB	2287514	9/1995
GB	2340871	1/2000
GB	2341888	3/2000
GB	2381827	5/2003
GB	2392705	3/2004
GB	2395517	5/2004
WO	2008039073	8/2008
WO	2008094146	8/2008
WO	2010031931	3/2010

OTHER PUBLICATIONS

<http://www.highlandusa.com/>.
 Printout from website, Product Details—Ratchet—Heavy Duty—Titan Cast Hand Ratchet Tie Down #1157400, printed Oct. 6, 2010, 2 pages.
 Printout from website, Product Details—Ratchet—Heavy Duty—Titan Cast Hand Ratchet Tie Down #1157500, printed Oct. 6, 2010; 2 pages.
<http://www.smartstraps.com/products/RatchetX.aspx>.

* cited by examiner

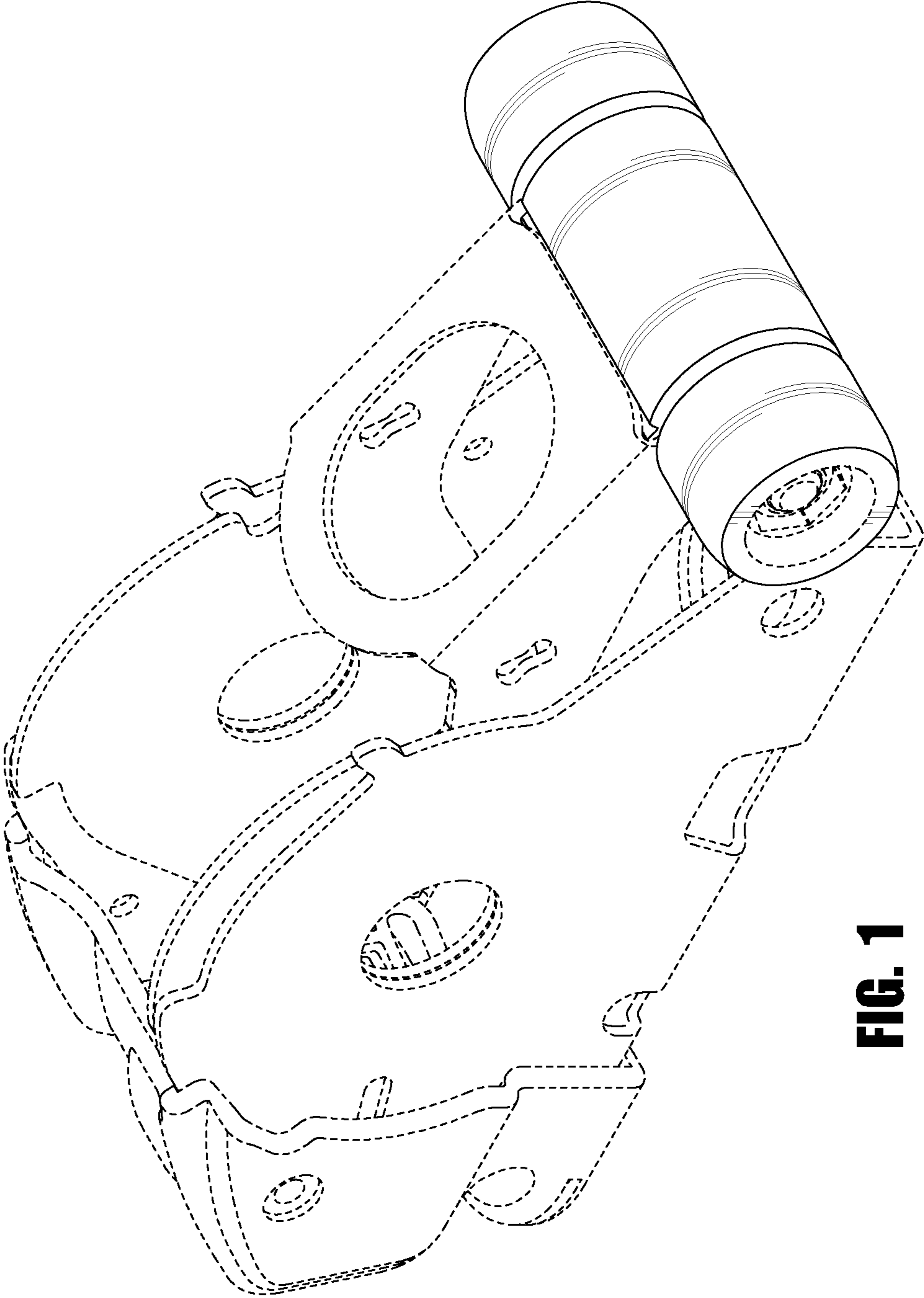


FIG. 1

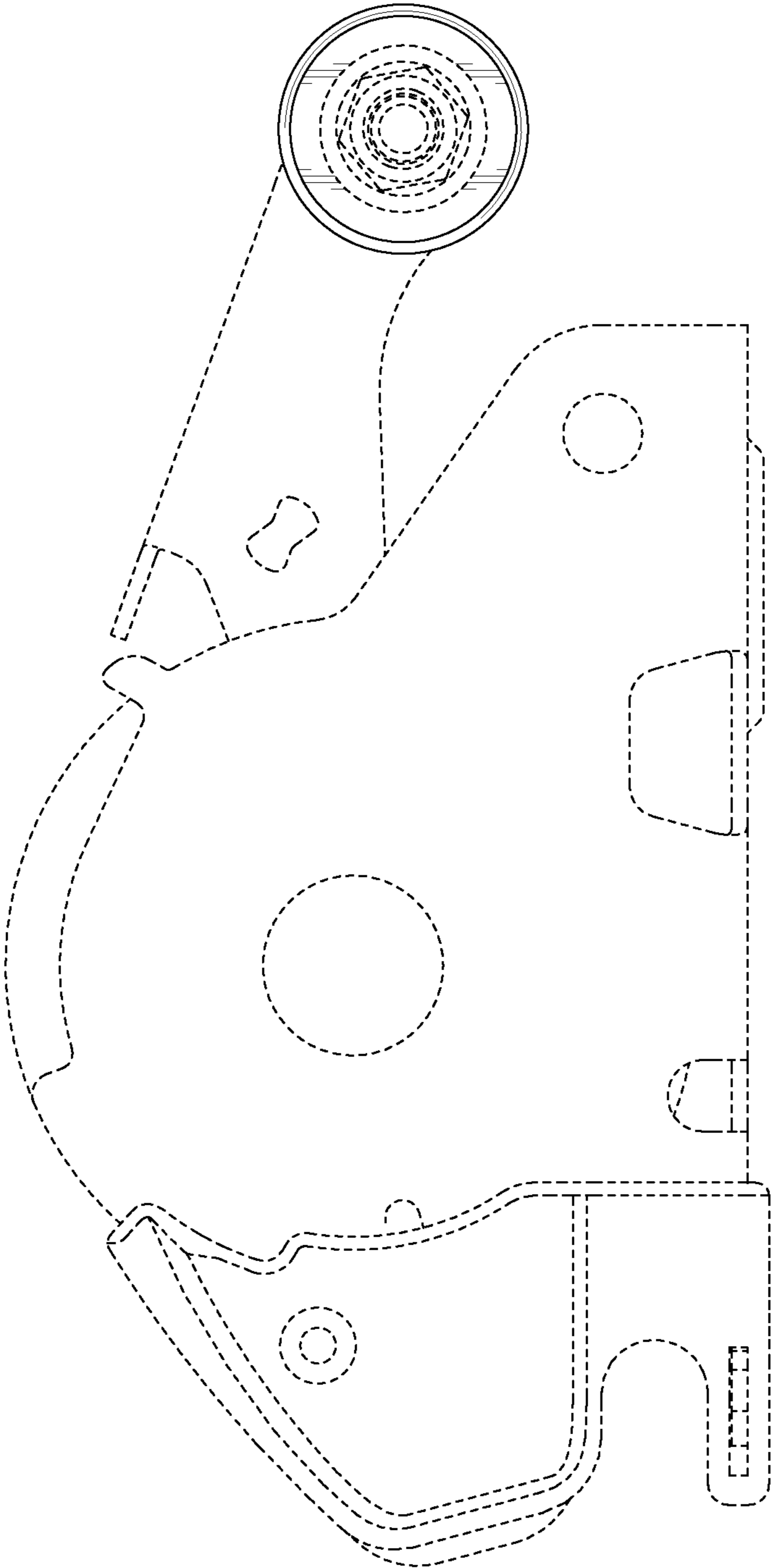


FIG. 2

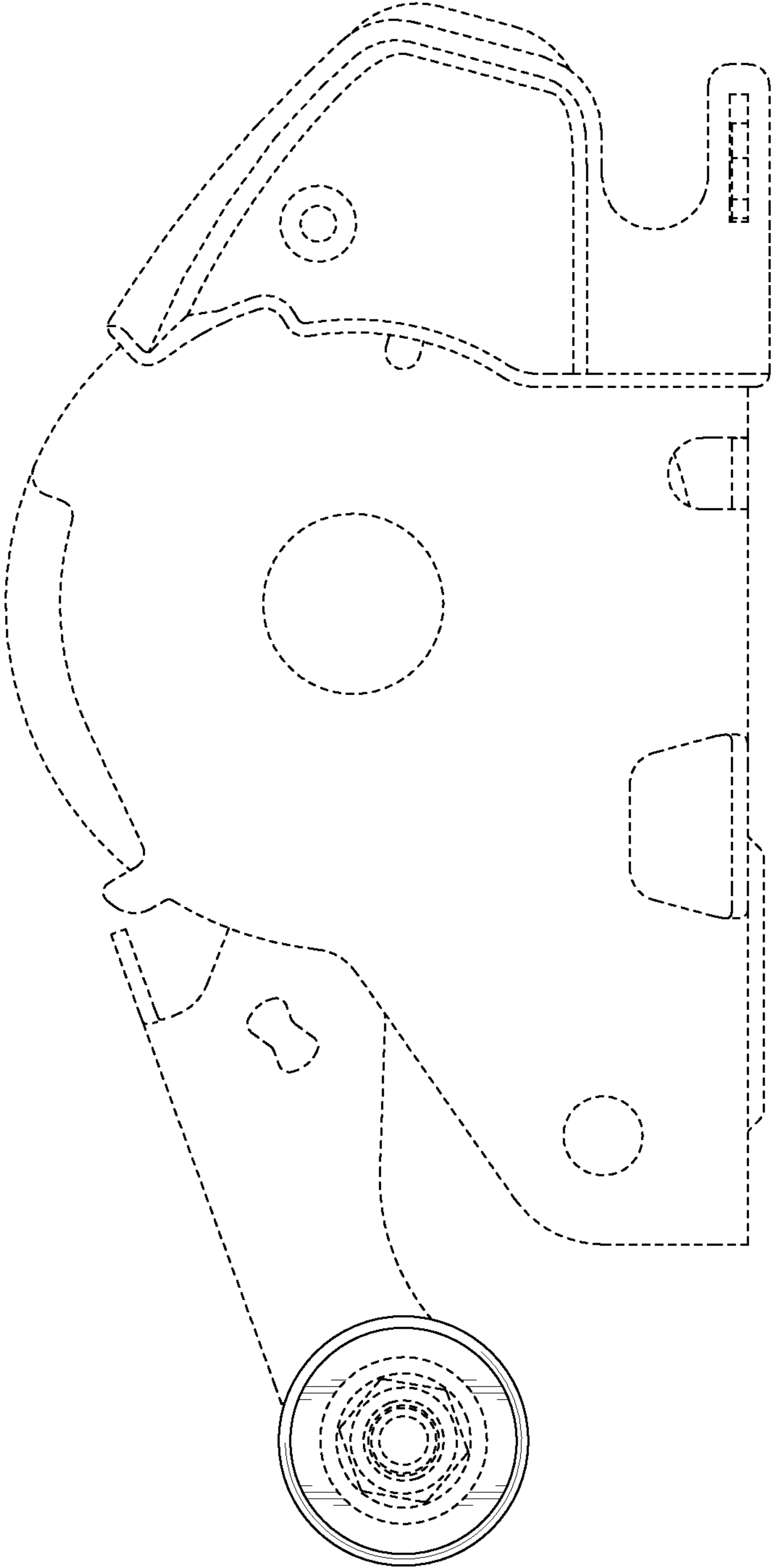


FIG. 3

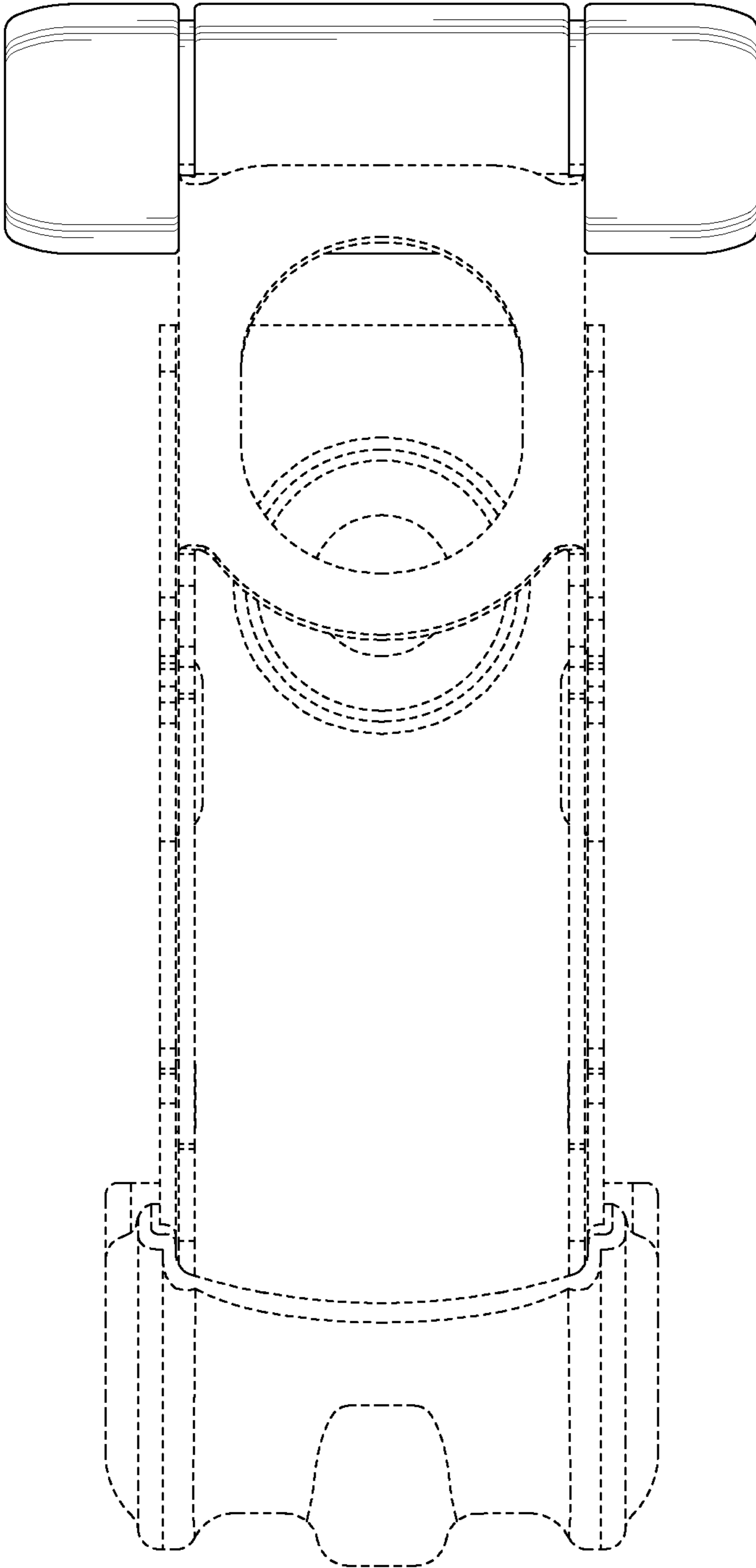


FIG. 4

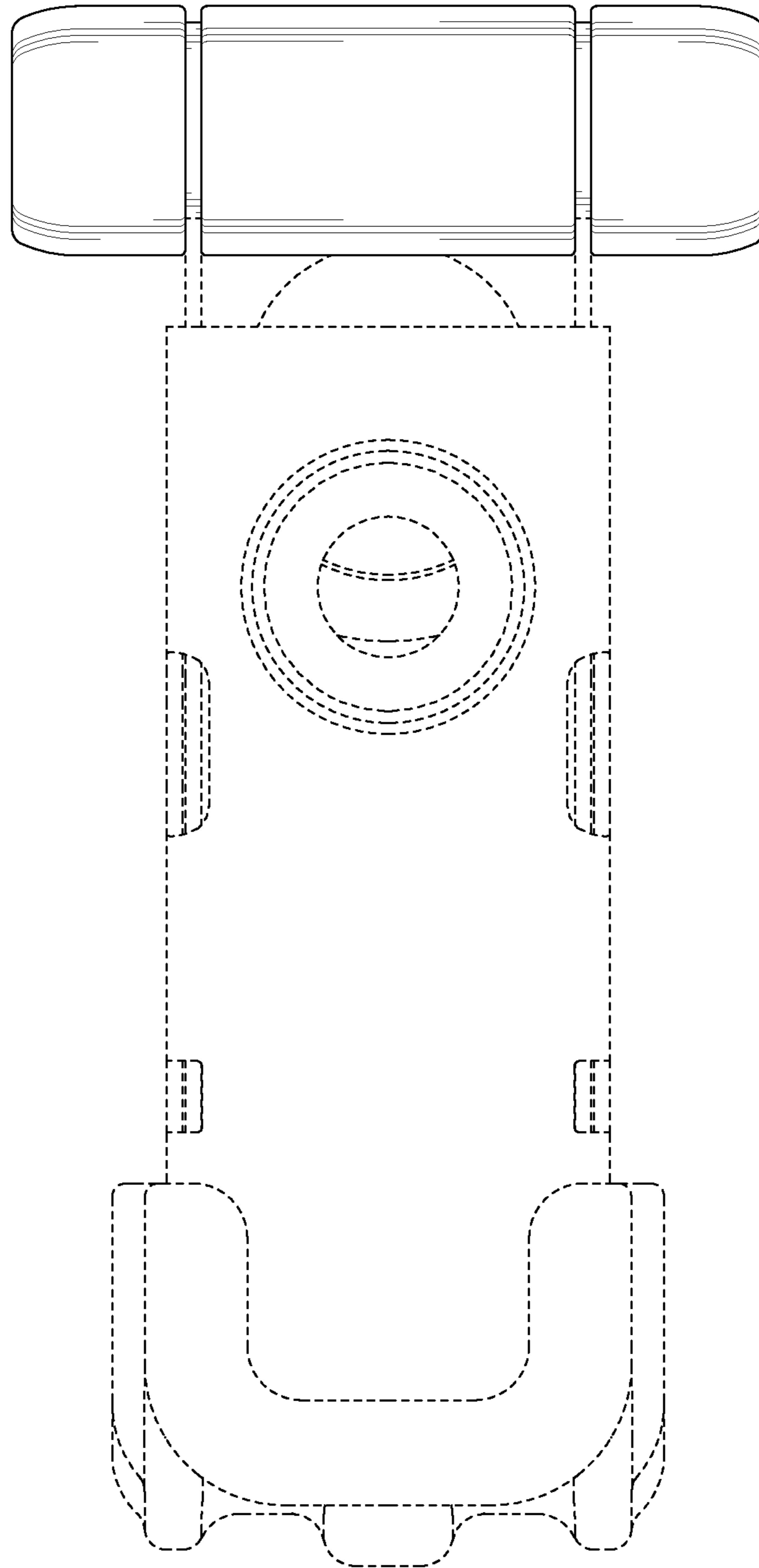


FIG. 5

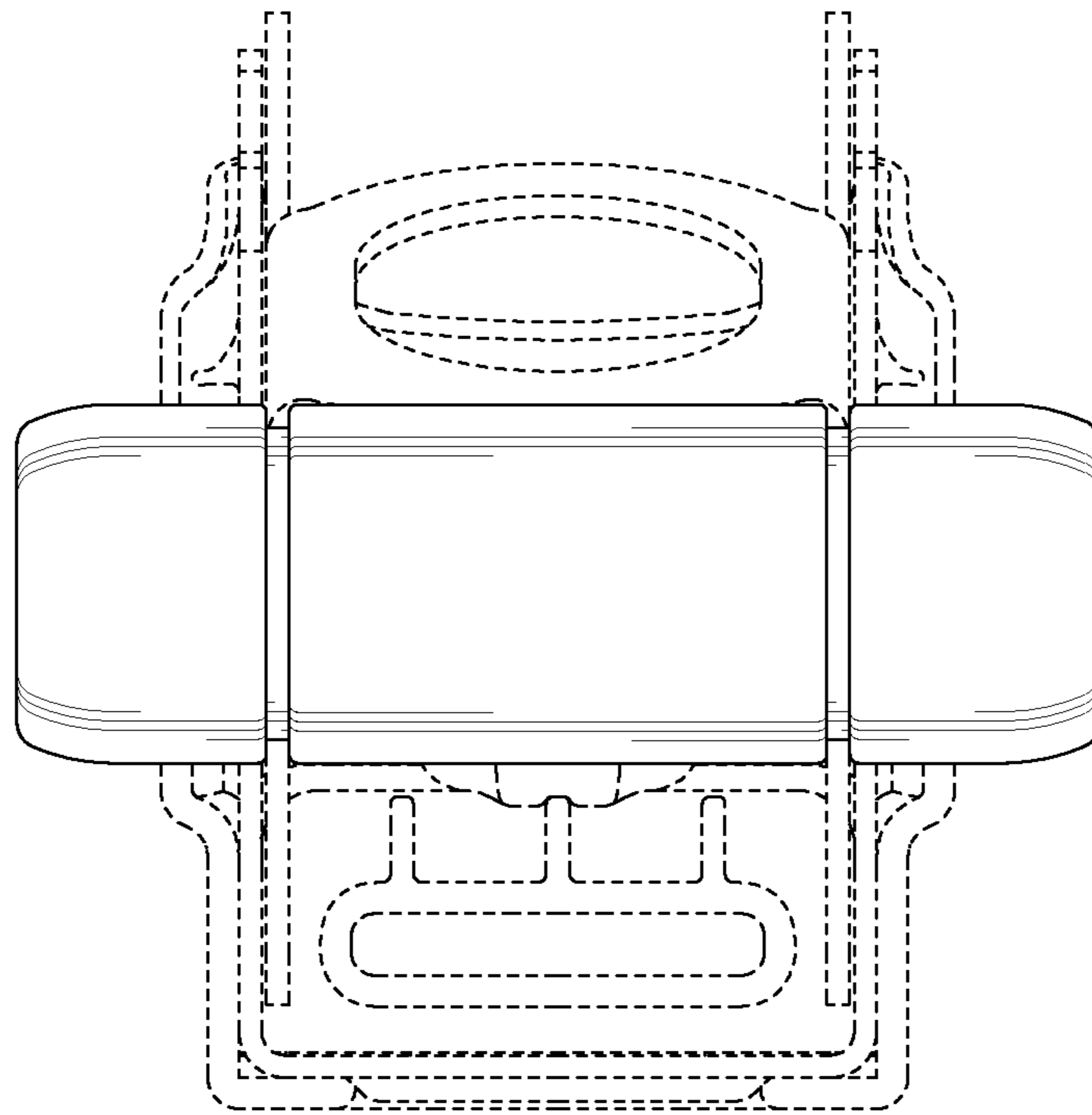


FIG. 6

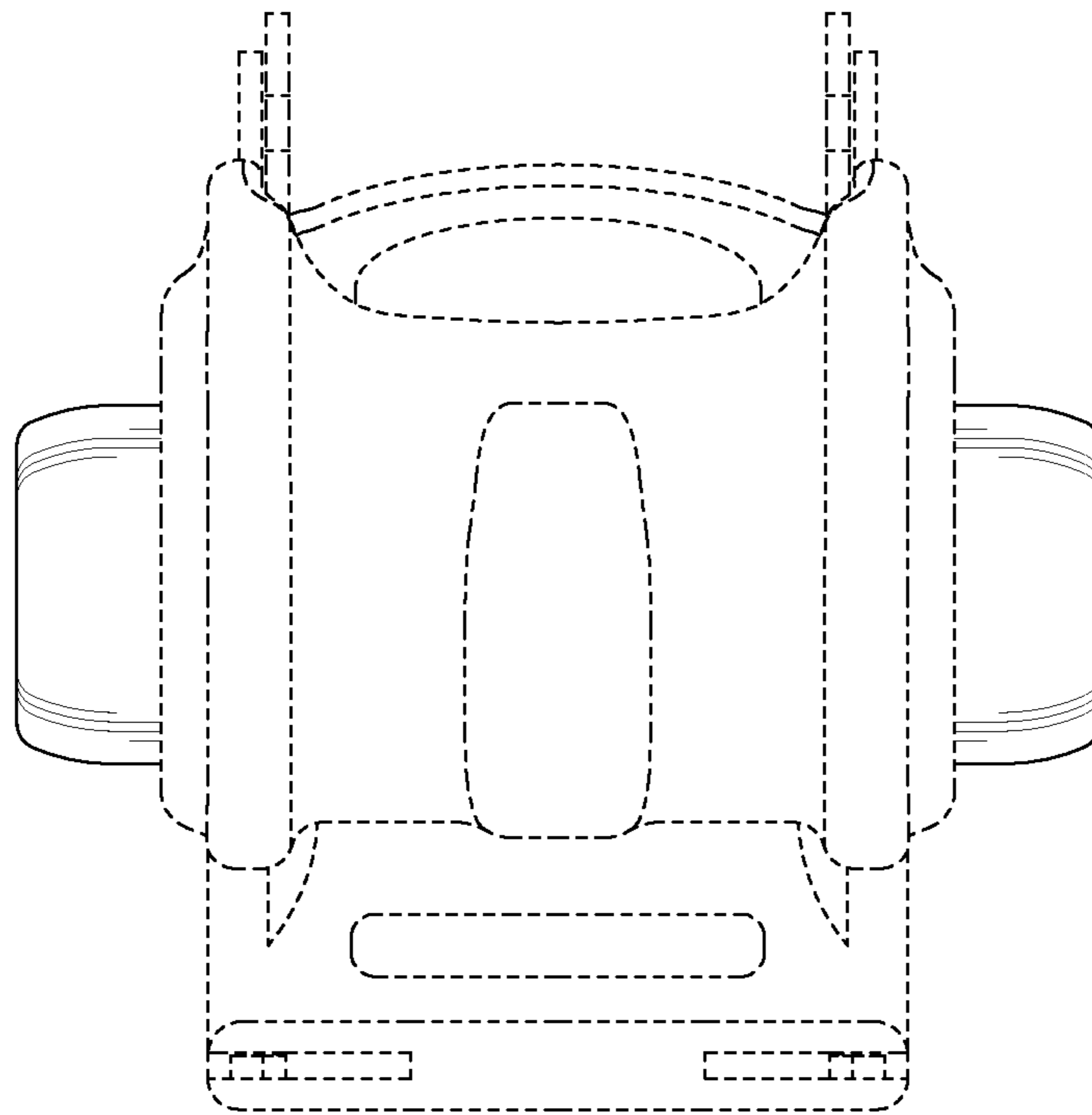


FIG. 7