



US00D681408S

(12) **United States Design Patent**
Cline

(10) **Patent No.:** **US D681,408 S**

(45) **Date of Patent:** **** *May 7, 2013**

(54) **GARDENING TOOL**

(76) Inventor: **Katherine Cline**, Keen Mountain, VA
(US)

(*) Notice: This patent is subject to a terminal disclaimer.

(**) Term: **14 Years**

(21) Appl. No.: **29/427,480**

(22) Filed: **Jul. 18, 2012**

(51) **LOC (9) Cl.** **08-01**

(52) **U.S. Cl.**
USPC **D8/13**

(58) **Field of Classification Search** D8/13,
D8/1; 172/371-372, 375, 376; 7/114-116;
56/400.1-400.21

See application file for complete search history.

(56) **References Cited**

U.S. PATENT DOCUMENTS

1,909,754 A * 5/1933 Carlson 56/400.17
2,497,192 A * 2/1950 Thayer, Jr. 56/400.17

D198,860 S * 8/1964 Fedorka D8/13
D248,612 S * 7/1978 Oas D8/13
D279,349 S * 6/1985 Clivio et al. D8/13
5,241,812 A * 9/1993 Crippen 56/400.21
D402,173 S * 12/1998 Woodley D8/13
D430,465 S * 9/2000 Moore D8/13

* cited by examiner

Primary Examiner — Sheryl Lane

(74) *Attorney, Agent, or Firm* — QuickPatents; Kevin Prince

(57) **CLAIM**

I claim the ornamental design for a gardening tool, as shown and described.

DESCRIPTION

FIG. 1 is a front perspective view of a gardening tool, showing my new design;

FIG. 2 is a top plan view thereof;

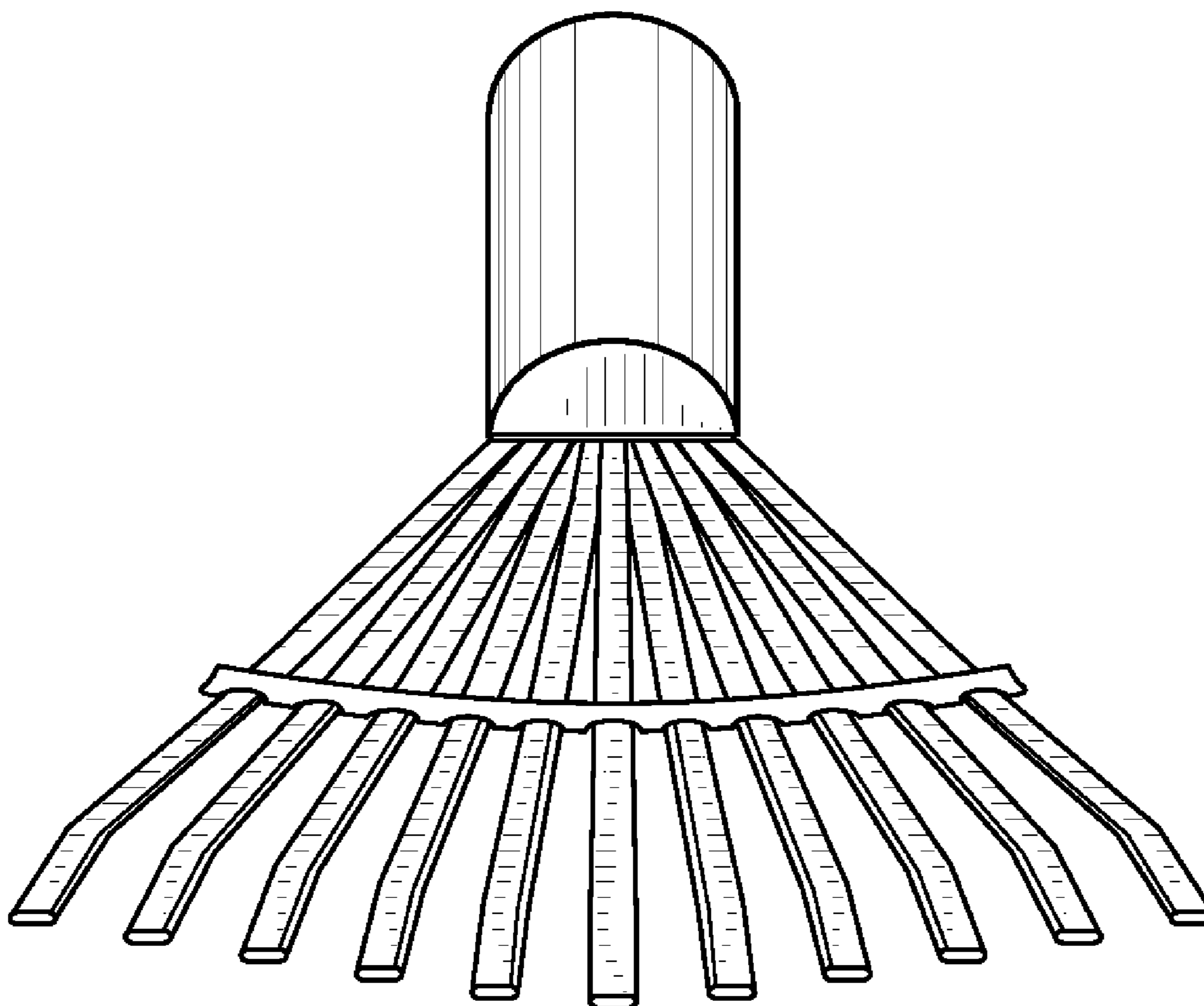
FIG. 3 is a bottom plan view thereof;

FIG. 4 is a right-side elevational view thereof, the left-side elevational view being a mirror image thereof;

FIG. 5 is a front elevational view thereof; and,

FIG. 6 is a rear elevational view thereof.

1 Claim, 2 Drawing Sheets



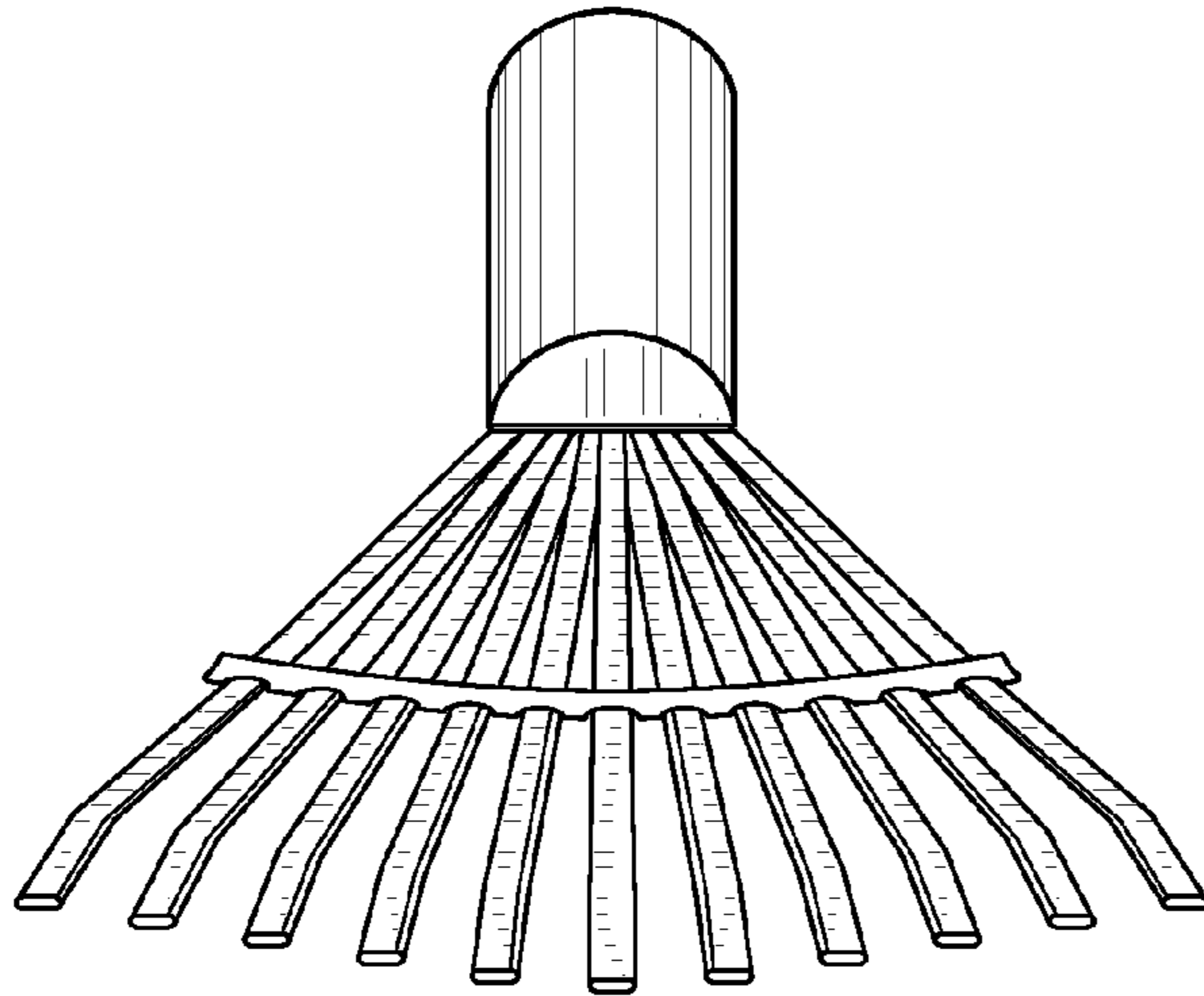


FIG. 1

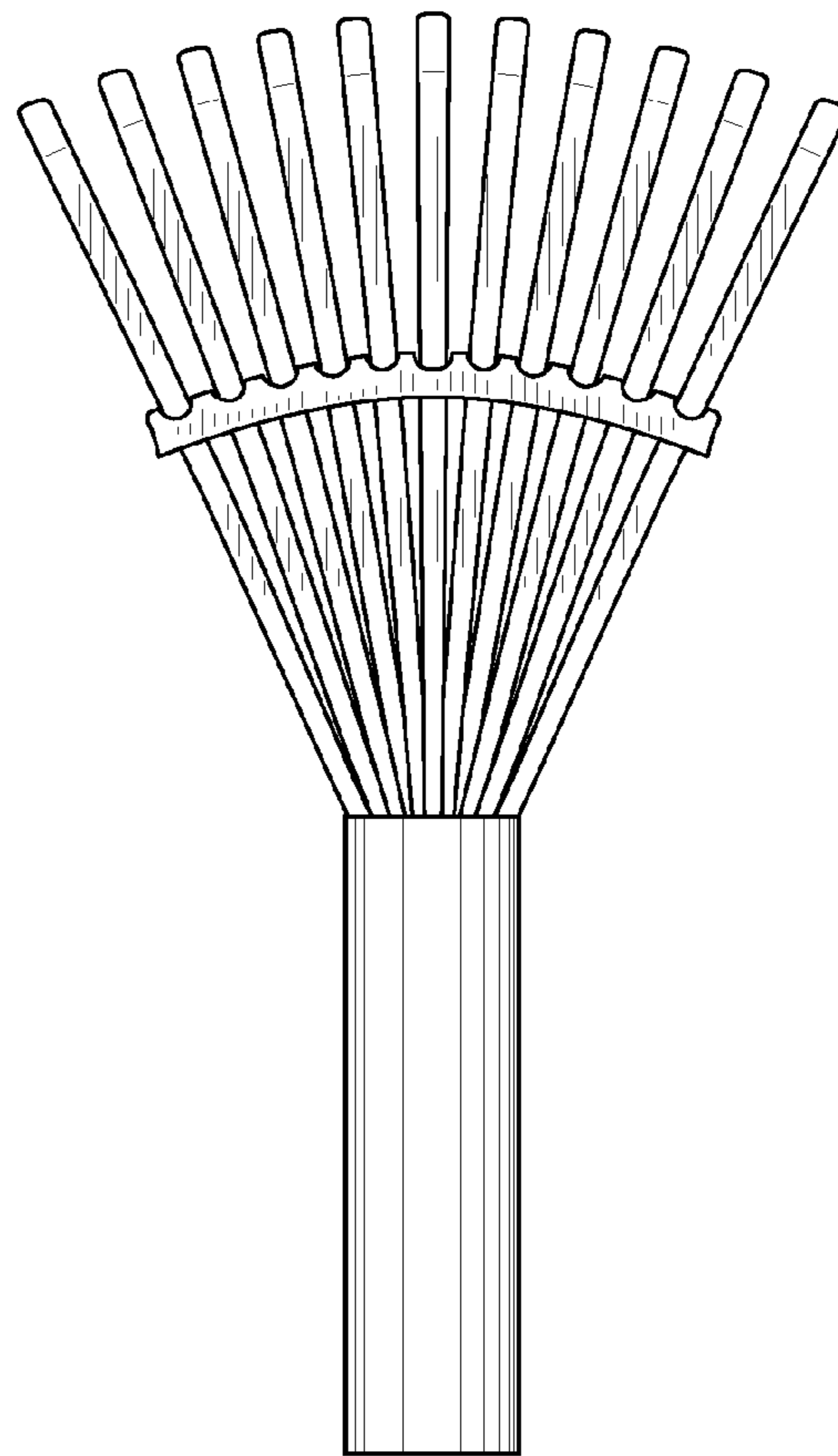


FIG. 2

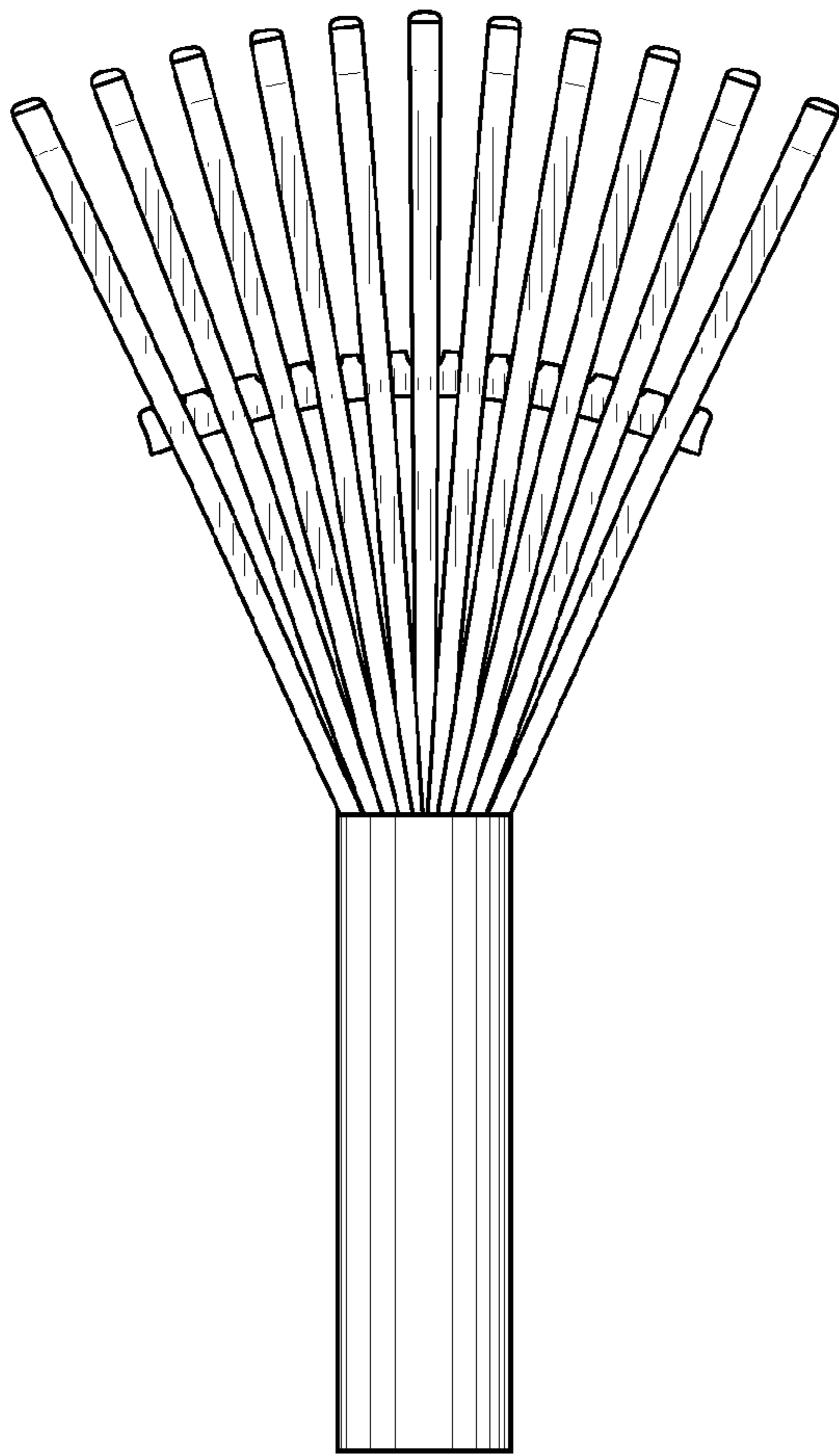


FIG. 3

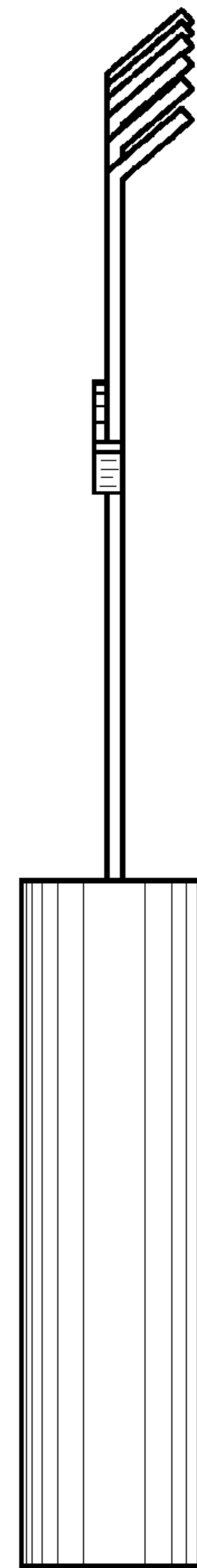


FIG. 4

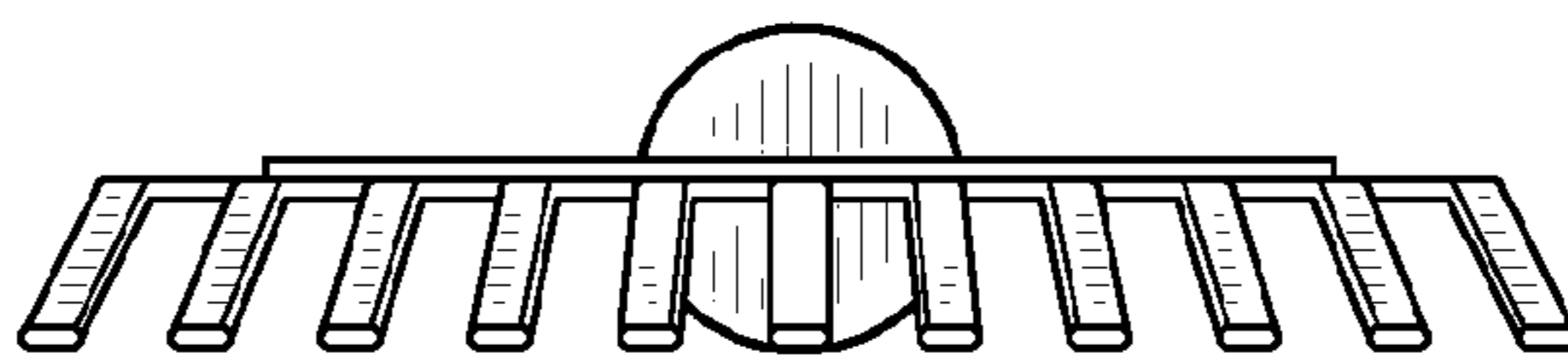


FIG. 5

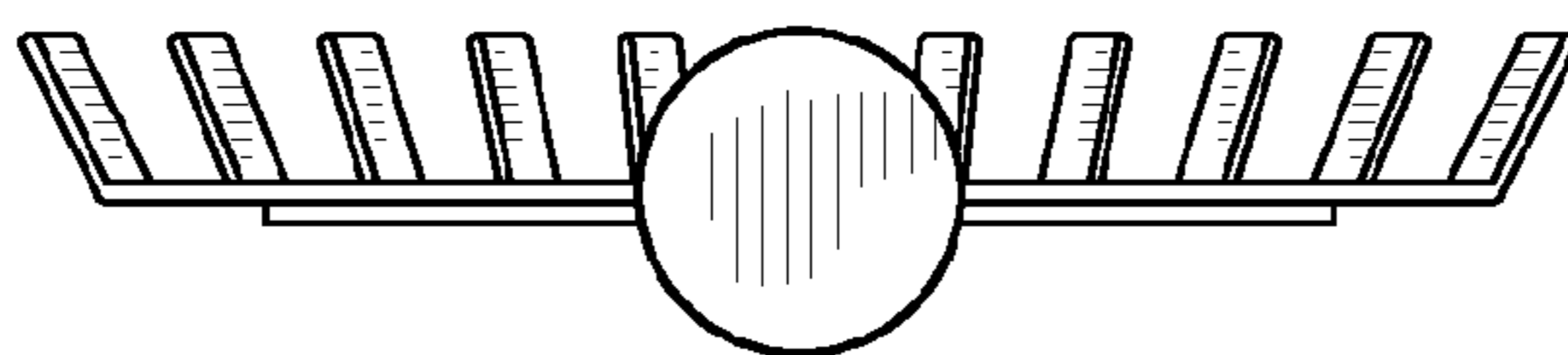


FIG. 6