



US00D681407S

(12) **United States Design Patent**
Edwards

(10) **Patent No.:** **US D681,407 S**

(45) **Date of Patent:** **** May 7, 2013**

(54) **WINE GLASS HOLDER**

2010/0127146 A1* 5/2010 Mahaffy 248/311.2
2010/0243588 A1* 9/2010 LaRiviere 211/71.01

(76) Inventor: **Arlene E. Edwards**, Ruidoso, NM (US)

* cited by examiner

(**) Term: **14 Years**

Primary Examiner — Terry Wallace

(21) Appl. No.: **29/426,889**

(74) *Attorney, Agent, or Firm* — Samantha A. Updegraff;
Deborah A. Peacock; Peacock Myers, P.C.

(22) Filed: **Jul. 11, 2012**

(57) **CLAIM**

(51) **LOC (9) Cl.** **06-04**

The ornamental design for the wine glass holder, as shown and described.

(52) **U.S. Cl.**
USPC **D7/708**

DESCRIPTION

(58) **Field of Classification Search** D7/701–708;
206/426, 480, 560, 565; 220/574, 23.4, 23.86,
220/23.87, 737; 211/74, 71.01, 70.1, 70.6,
211/70.7; 248/311.2

FIG. 1 is a perspective view of a wine glass holder showing my new design with wine glasses;
FIG. 2 is a top view of the wine glass holder;
FIG. 3 is a bottom view of the wine glass holder;
FIG. 4 is a left side view of the wine glass holder;
FIG. 5 is a right side view of the wine glass holder;
FIG. 6 is a front view of the wine glass holder;
FIG. 7 is a back view of the wine glass holder; and,
FIG. 8 is a front view of the wine glass holder with a wine glass.

See application file for complete search history.

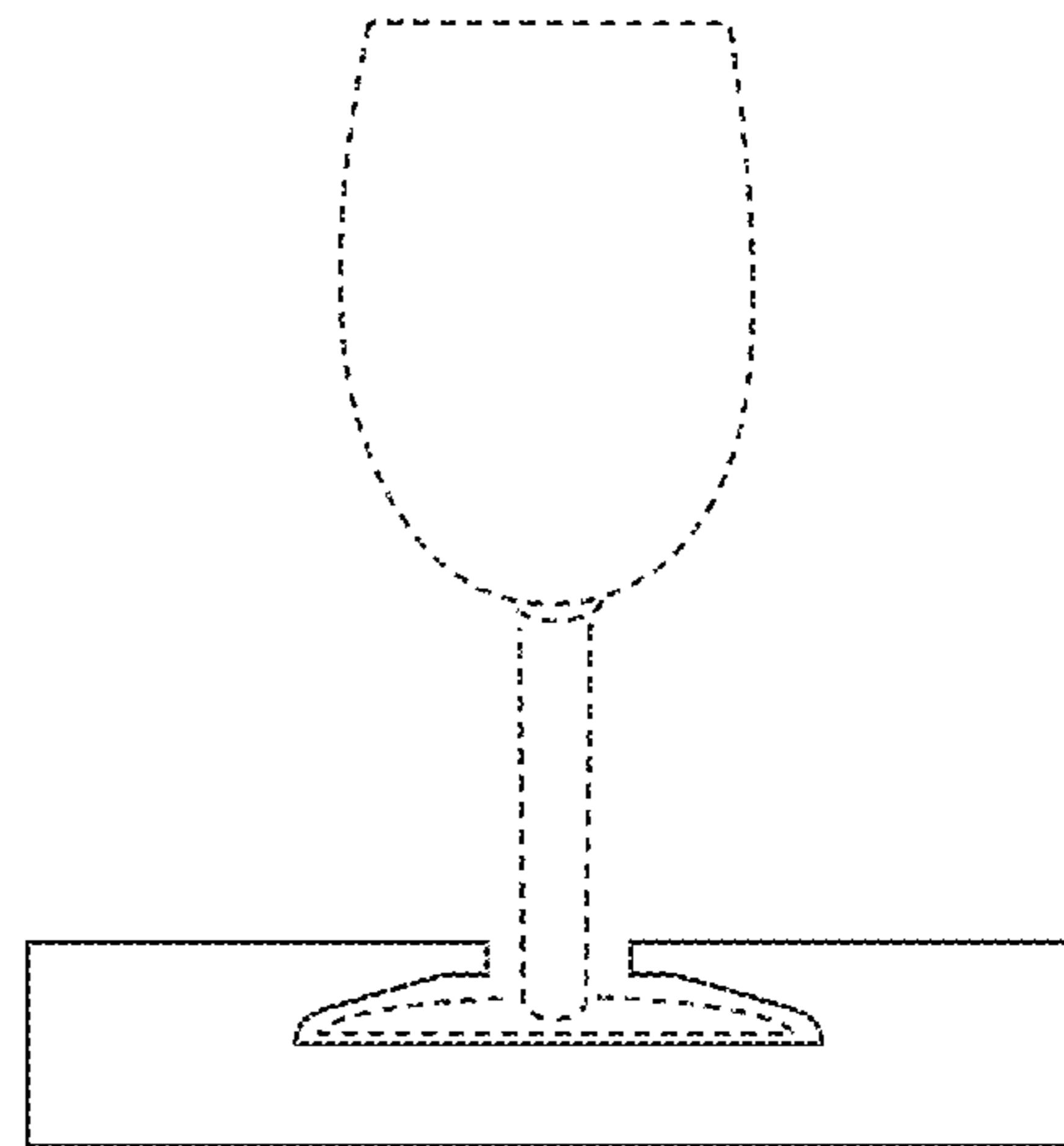
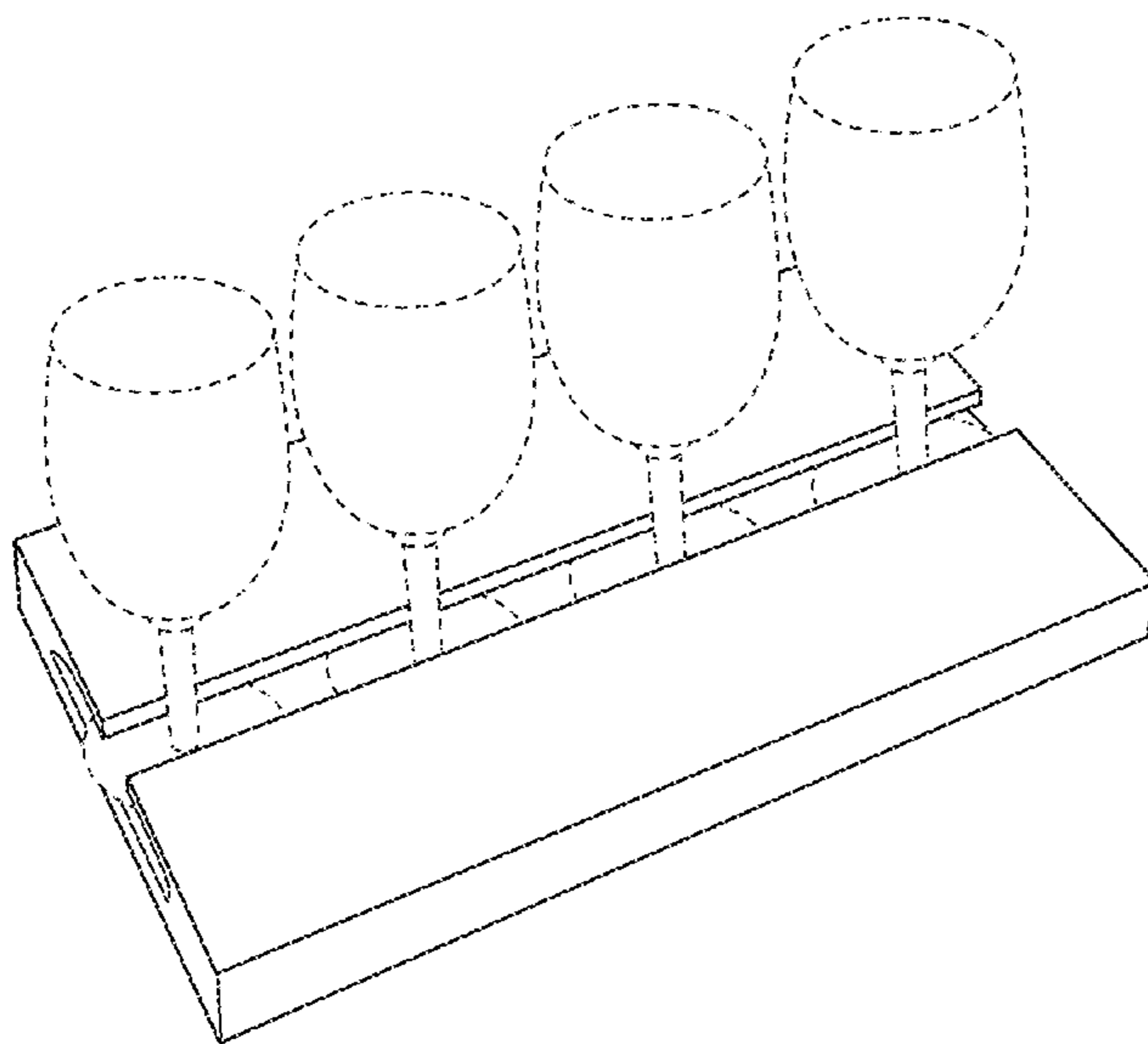
The broken line showing of the wine glasses are for the purpose of illustrating the environment and boundary related to the claimed design and forms no part of the claimed design.

(56) **References Cited**

U.S. PATENT DOCUMENTS

774,479	A *	11/1904	Lange	206/426
D288,483	S *	2/1987	Mora	D24/230
D528,876	S *	9/2006	King	D7/701
D573,421	S *	7/2008	Pittsinger	D7/701
D638,670	S *	5/2011	Breitenmoser	D7/701

1 Claim, 8 Drawing Sheets



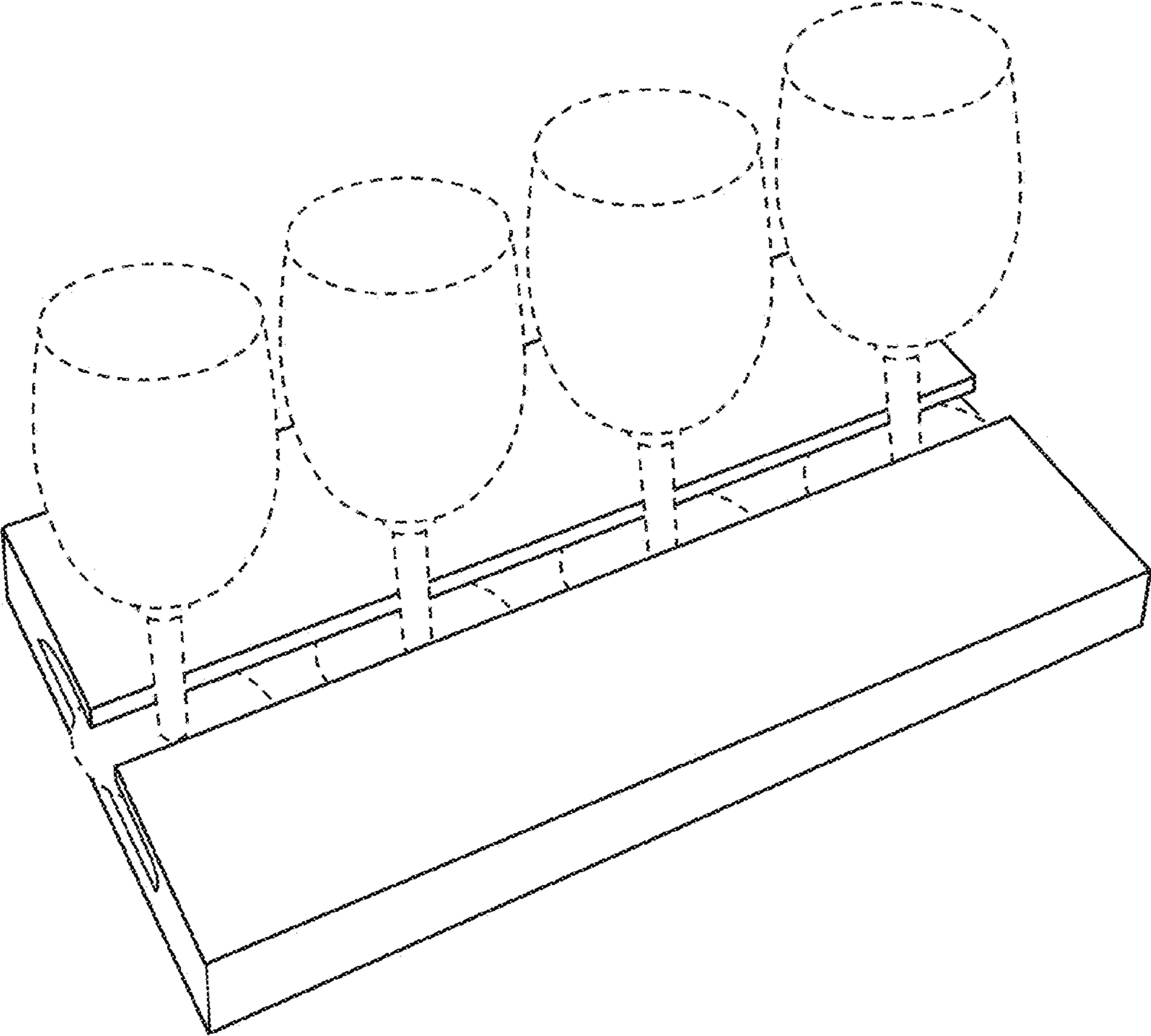


FIG. 1

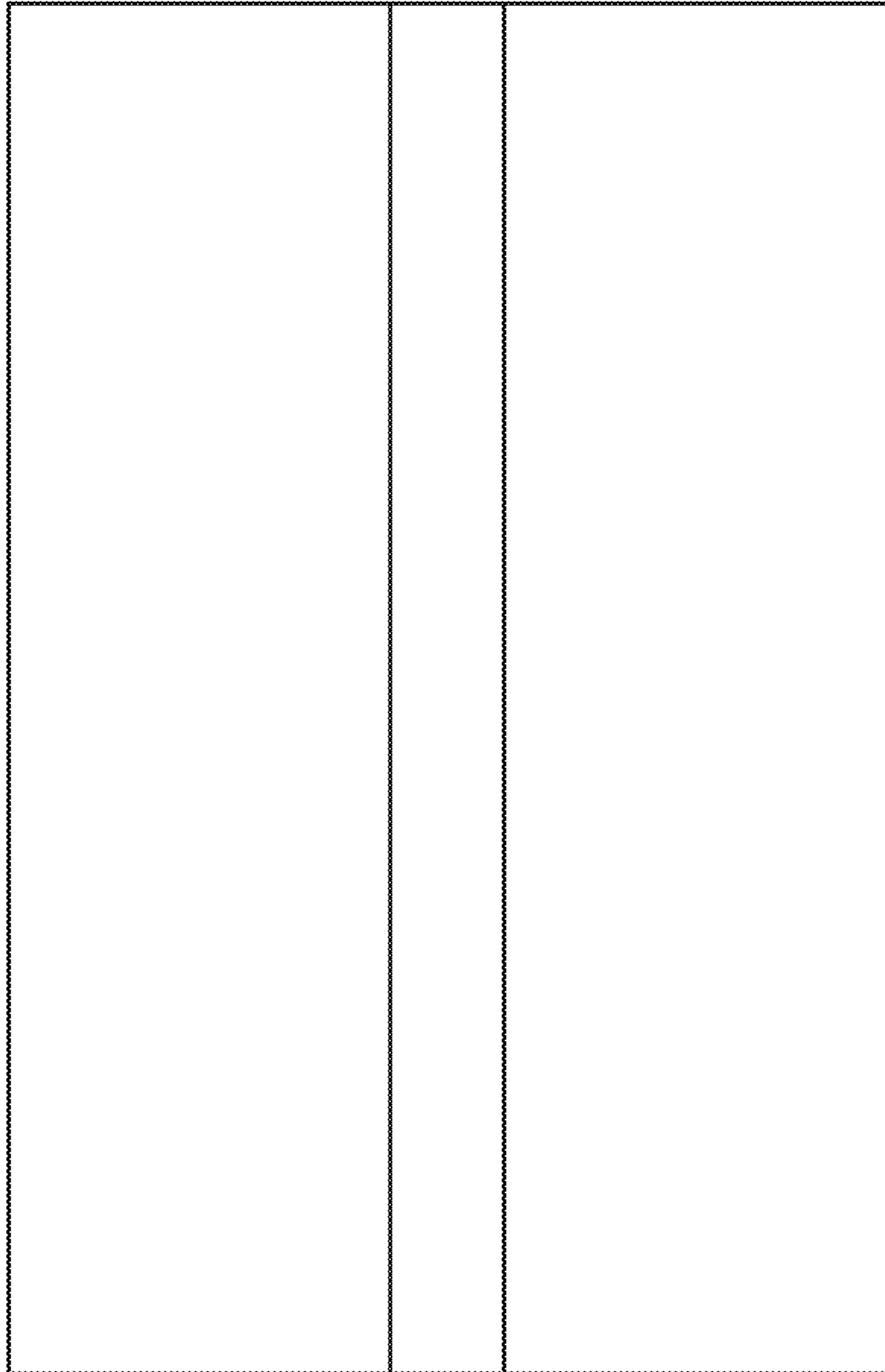


FIG. 2

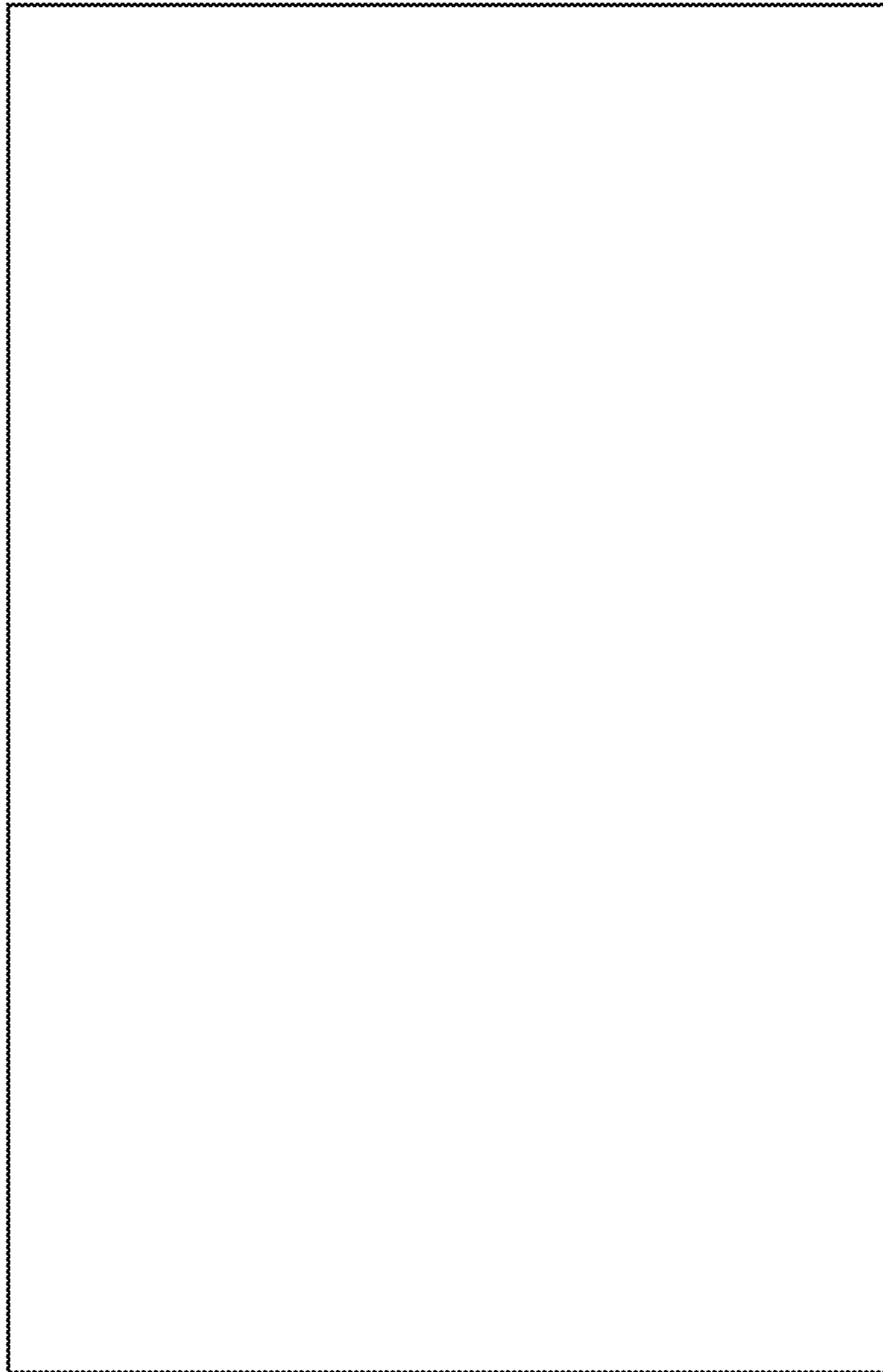


FIG. 3



FIG. 4



FIG. 5

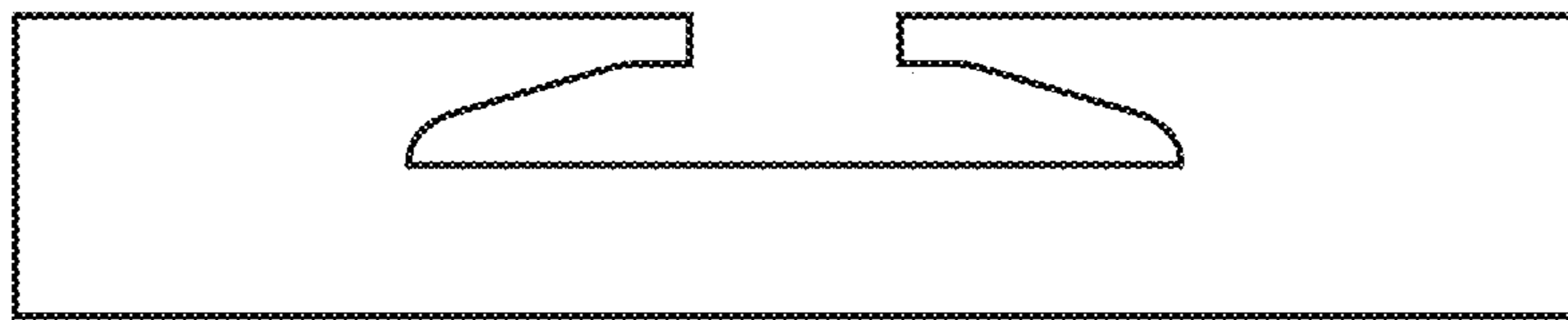


FIG. 6

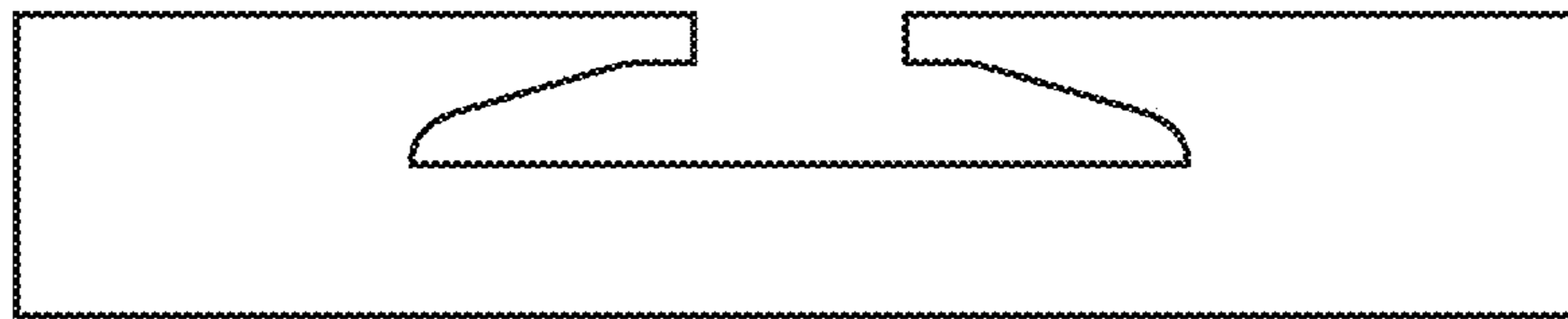


FIG. 7

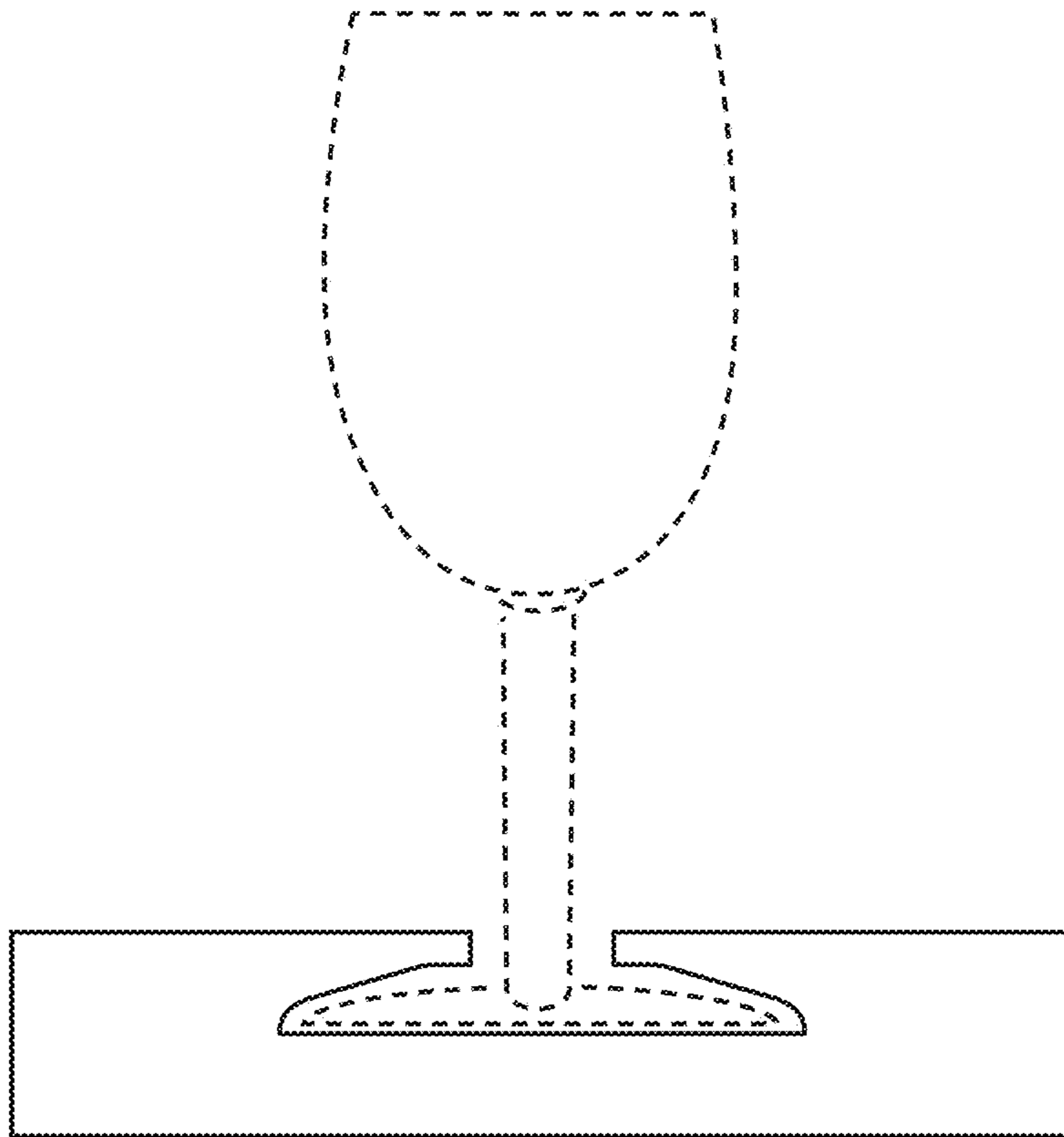


FIG. 8