



US00D681403S

(12) **United States Design Patent**  
**Krus**

(10) **Patent No.:** **US D681,403 S**

(45) **Date of Patent:** **\*\* May 7, 2013**

(54) **WHISK**

(75) Inventor: **Matthew Krus**, Seattle, WA (US)

(73) Assignee: **Chef'n Corporation**, Seattle, WA (US)

(\*\*) Term: **14 Years**

(21) Appl. No.: **29/427,277**

(22) Filed: **Jul. 16, 2012**

(51) **LOC (9) Cl.** ..... **07-02**

(52) **U.S. Cl.**  
USPC ..... **D7/690**

(58) **Field of Classification Search** ..... D7/203,  
D7/457, 459, 101, 121, 368, 669, 688, 690;  
416/70 R; 366/129, 343  
See application file for complete search history.

(56) **References Cited**

U.S. PATENT DOCUMENTS

|           |     |         |            |       |          |
|-----------|-----|---------|------------|-------|----------|
| 1,072,251 | A * | 9/1913  | Parham     | ..... | 416/70 R |
| 1,519,606 | A * | 12/1924 | De Vore    | ..... | 416/70 R |
| 1,910,302 | A * | 5/1933  | Maslow     | ..... | 416/70 R |
| 2,499,074 | A * | 2/1950  | Nordgarden | ..... | 416/70 R |

|              |      |         |          |       |         |
|--------------|------|---------|----------|-------|---------|
| D480,612     | S *  | 10/2003 | Schulein | ..... | D7/690  |
| D521,822     | S *  | 5/2006  | Settele  | ..... | D7/690  |
| 7,044,631    | B2 * | 5/2006  | Settele  | ..... | 366/129 |
| D560,103     | S *  | 1/2008  | Browne   | ..... | D7/690  |
| D597,802     | S *  | 8/2009  | Yu       | ..... | D7/690  |
| 2008/0219092 | A1 * | 9/2008  | Clement  | ..... | 366/343 |

\* cited by examiner

*Primary Examiner* — Ian Simmons

*Assistant Examiner* — Eleni H Aldridge

(74) *Attorney, Agent, or Firm* — Seed IP Law Group PLLC

(57) **CLAIM**

The ornamental design for a whisk, as shown and described.

**DESCRIPTION**

FIG. 1 is a perspective view of a whisk according to our new design.

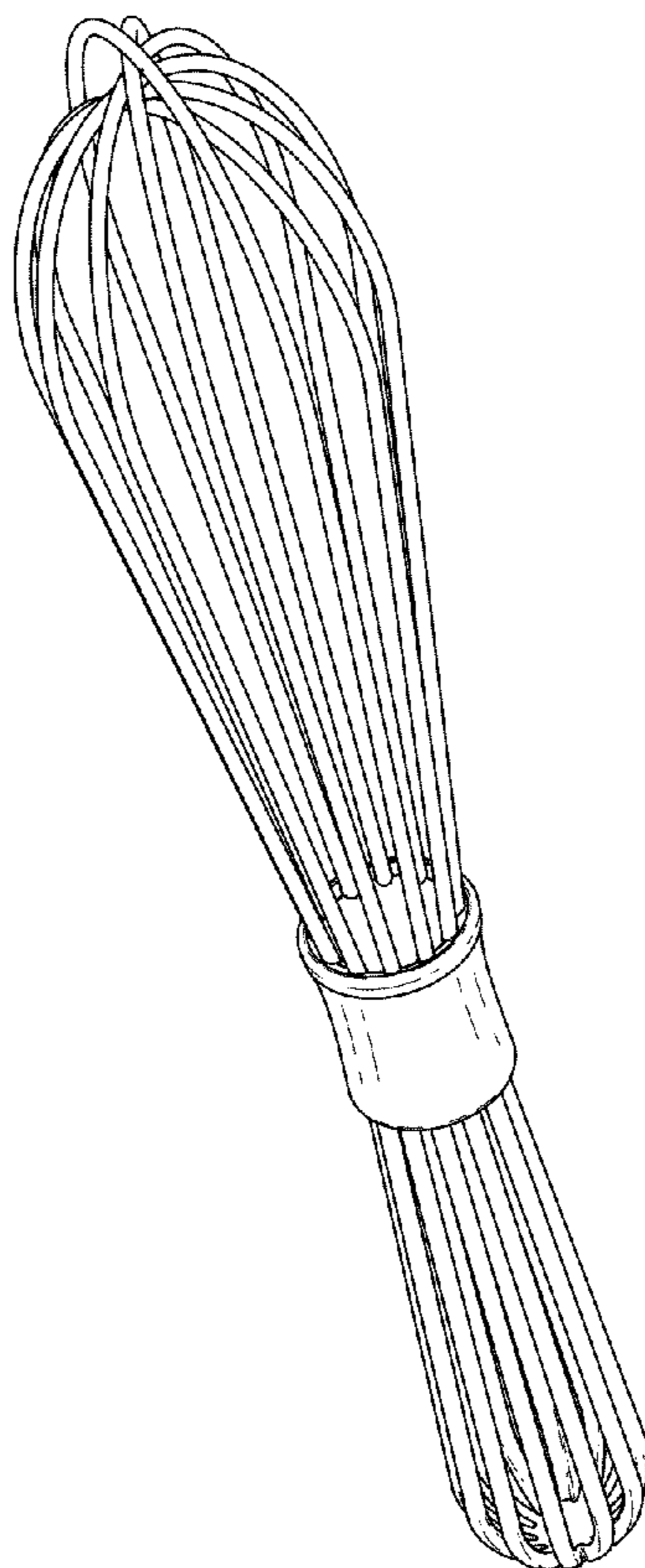
FIG. 2 is a front elevation view thereof; the rear elevation view is a mirror image of FIG. 2.

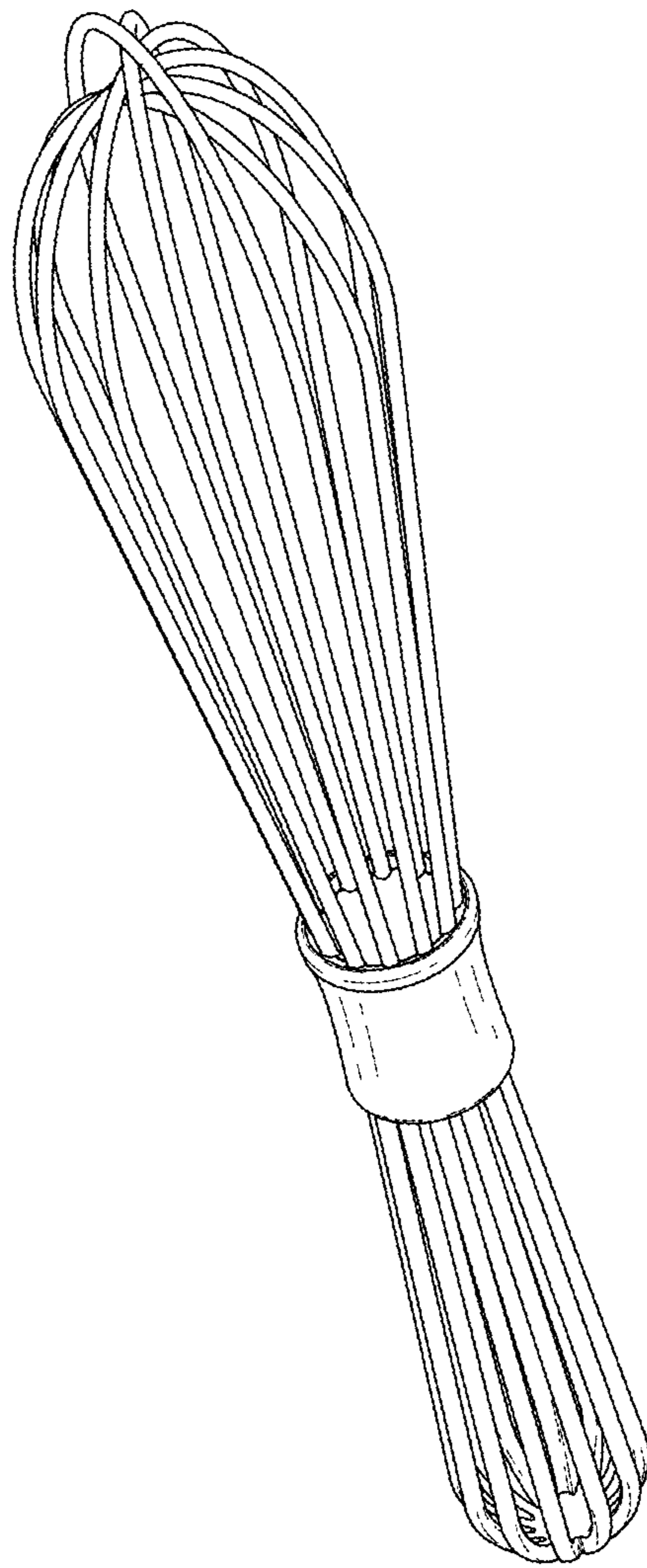
FIG. 3 is a right side elevation view thereof; the left side elevation is a mirror image of FIG. 3.

FIG. 4 is a top plan view thereof; and,

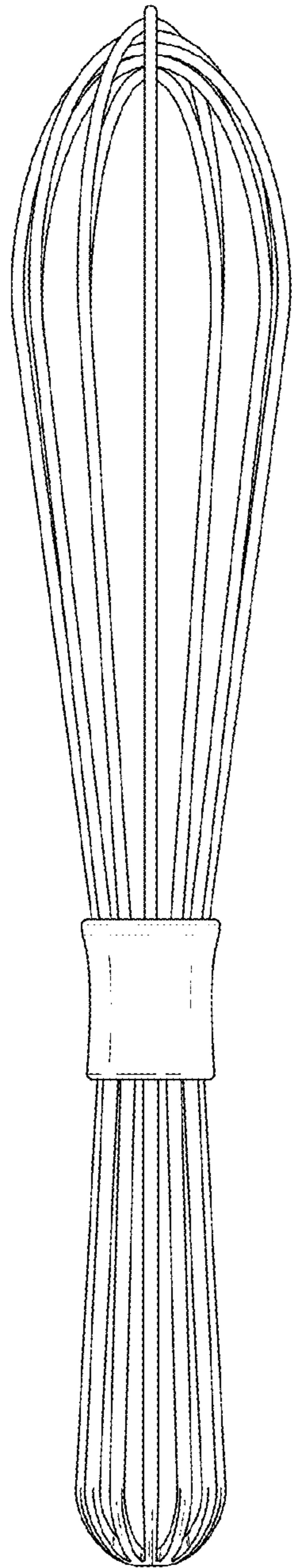
FIG. 5 is a bottom plan view thereof.

**1 Claim, 3 Drawing Sheets**

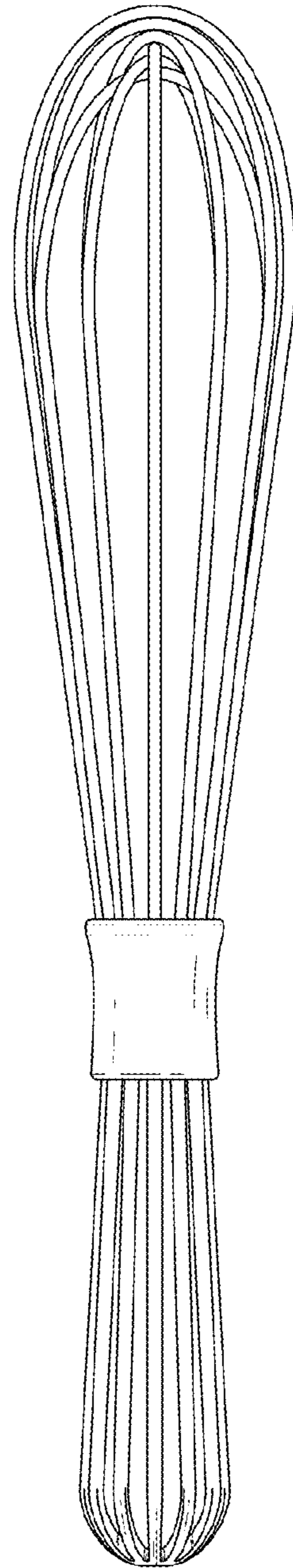




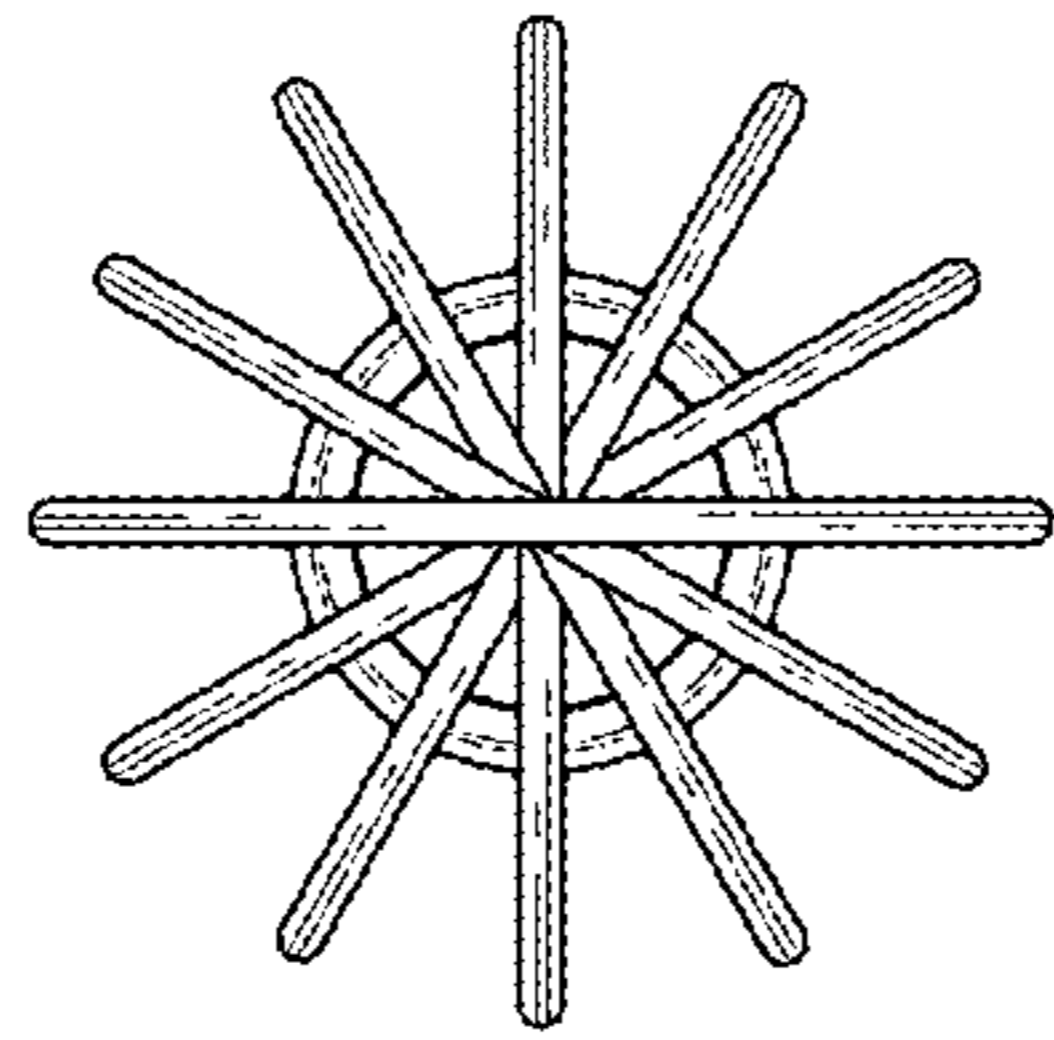
*FIG. 1*



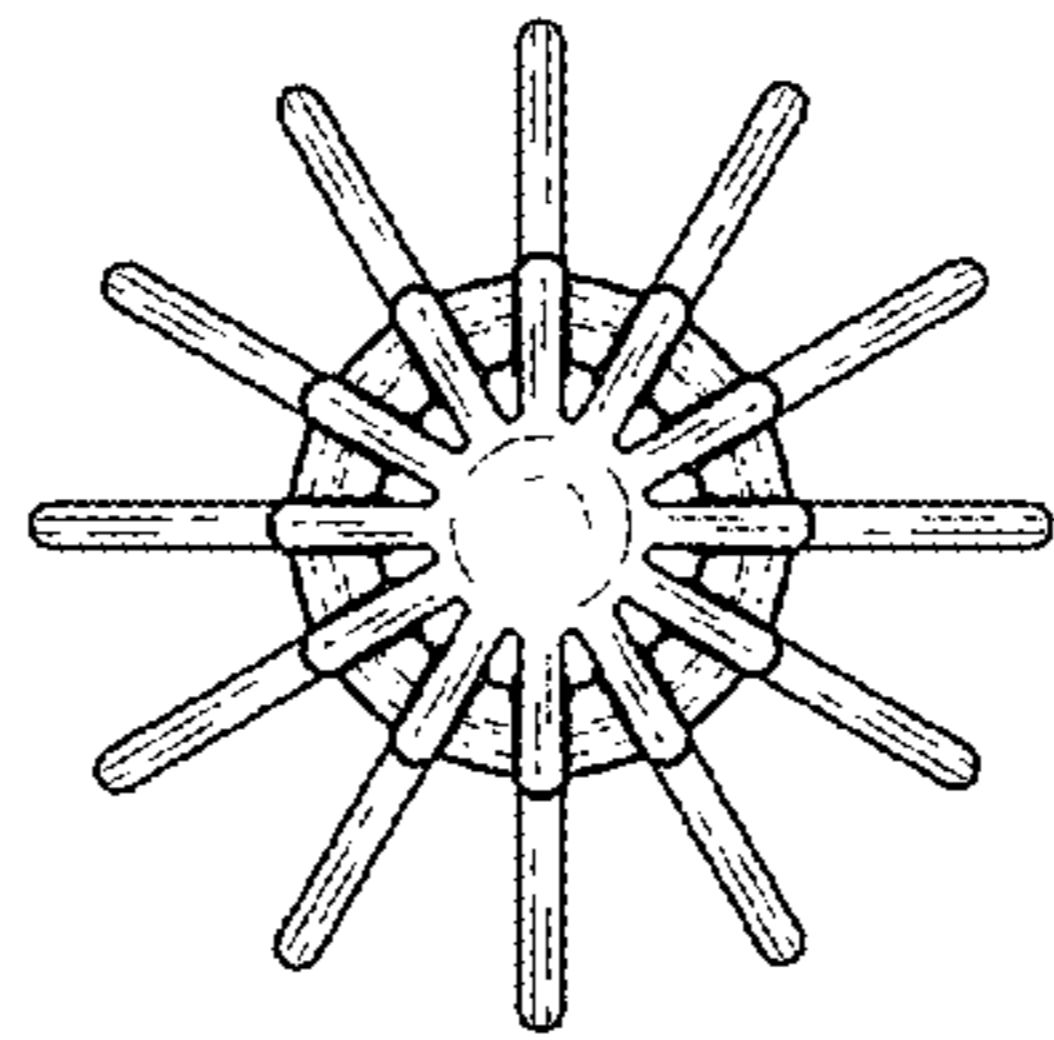
*FIG. 2*



*FIG. 3*



*FIG. 4*



*FIG. 5*