



US00D681402S

(12) **United States Design Patent**
Hurt

(10) **Patent No.:** **US D681,402 S**

(45) **Date of Patent:** **** May 7, 2013**

(54) **FISHING POLE STYLED FOOD ROASTING
DEVICE**

(76) **Inventor:** **Robert Shane Hurt**, Becker, MN (US)

(**) **Term:** **14 Years**

(21) **Appl. No.:** **29/430,481**

(22) **Filed:** **Aug. 27, 2012**

(51) **LOC (9) Cl.** **07-06**

(52) **U.S. Cl.**
USPC **D7/684**

(58) **Field of Classification Search** D7/683,
D7/393, 395, 601, 669, 368, 684; D22/137,
D22/138; 294/49, 55.5; 99/419, 421 R,
99/421 A, 421 H, 427, 441; 426/520, 523
See application file for complete search history.

(56) **References Cited**

U.S. PATENT DOCUMENTS

2,535,548 A * 12/1950 Porter 99/421 A
3,745,910 A * 7/1973 Delamater 99/419
3,927,609 A * 12/1975 Scott 99/419

D361,699 S * 8/1995 McHugh D7/683
5,628,244 A * 5/1997 Holliday 99/421 A
6,003,263 A * 12/1999 Thurber et al. 43/18.1 R
D503,315 S * 3/2005 Lanier et al. D7/684

* cited by examiner

Primary Examiner — Terry Wallace

(74) *Attorney, Agent, or Firm* — Geiser Law, PLLC; Greg N. Geiser

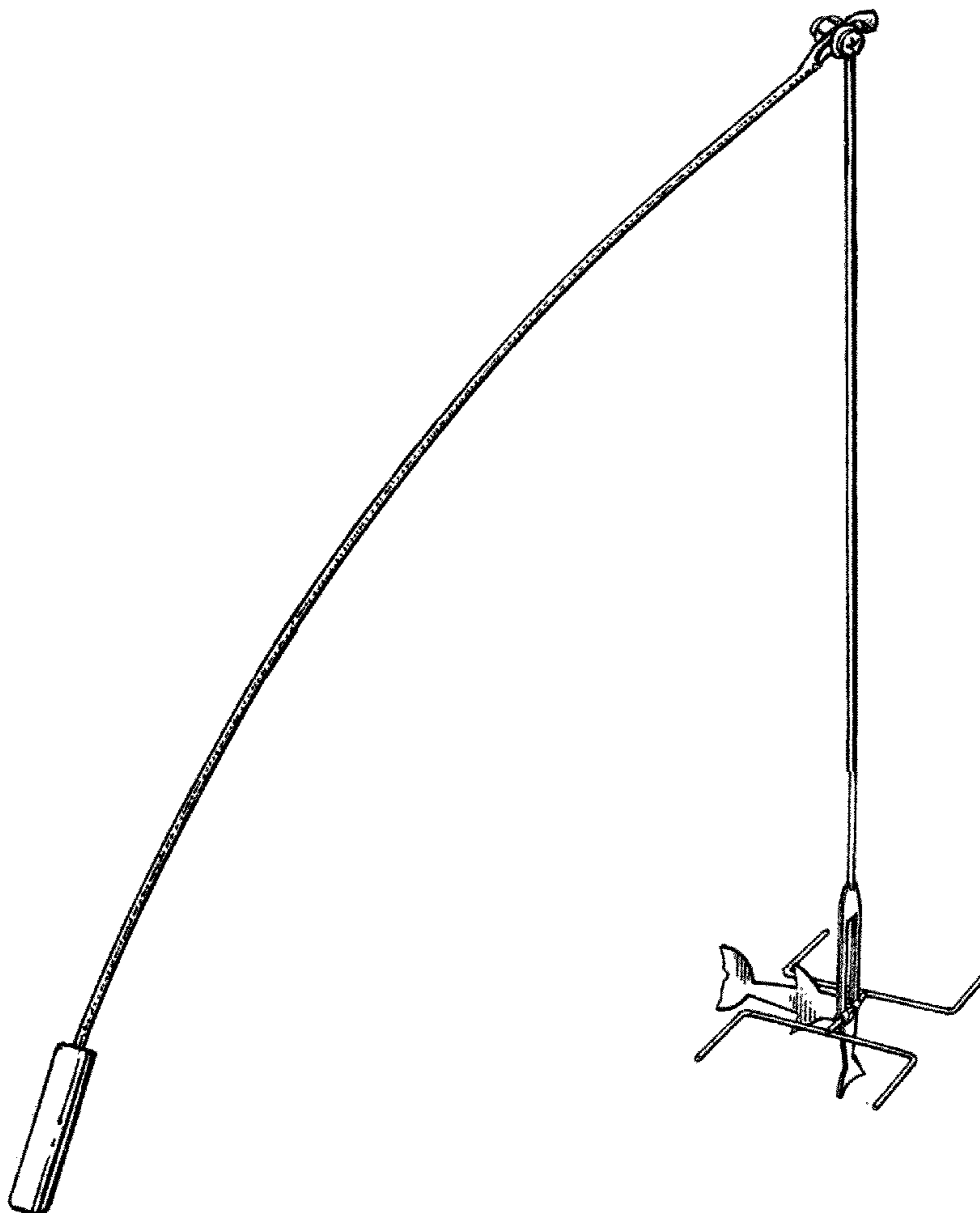
(57) **CLAIM**

The ornamental design for a fishing pole styled food roasting device, as shown and described.

DESCRIPTION

FIG. 1 is a perspective view of the new design of a fishing pole styled food roasting device;
FIG. 2 is a left side elevational view thereof;
FIG. 3 is a front elevational view thereof;
FIG. 4 is a right side elevational thereof;
FIG. 5 is a rear elevational view thereof;
FIG. 6 is a top plan view thereof; and,
FIG. 7 is a bottom view thereof.

1 Claim, 4 Drawing Sheets



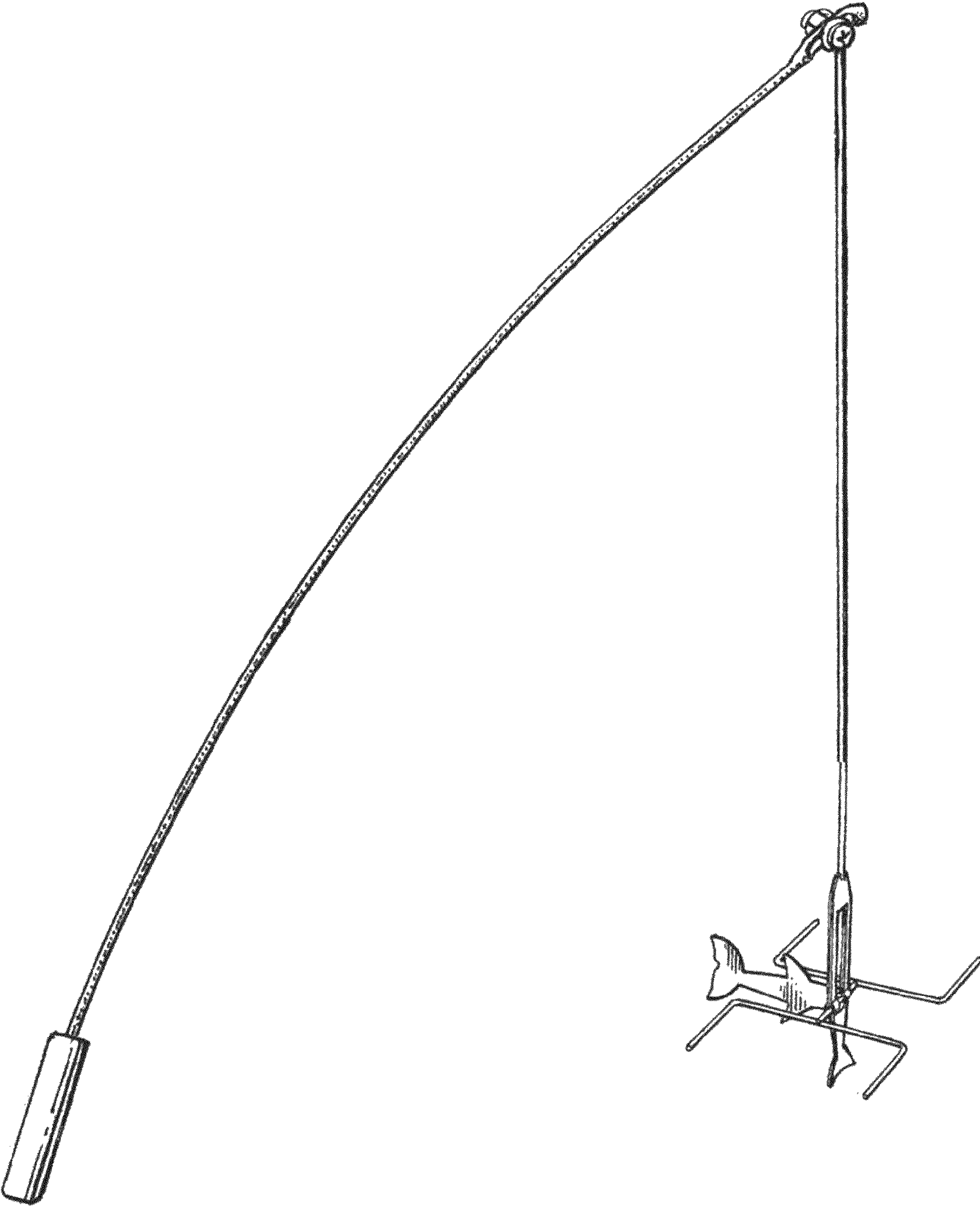


FIG. 1

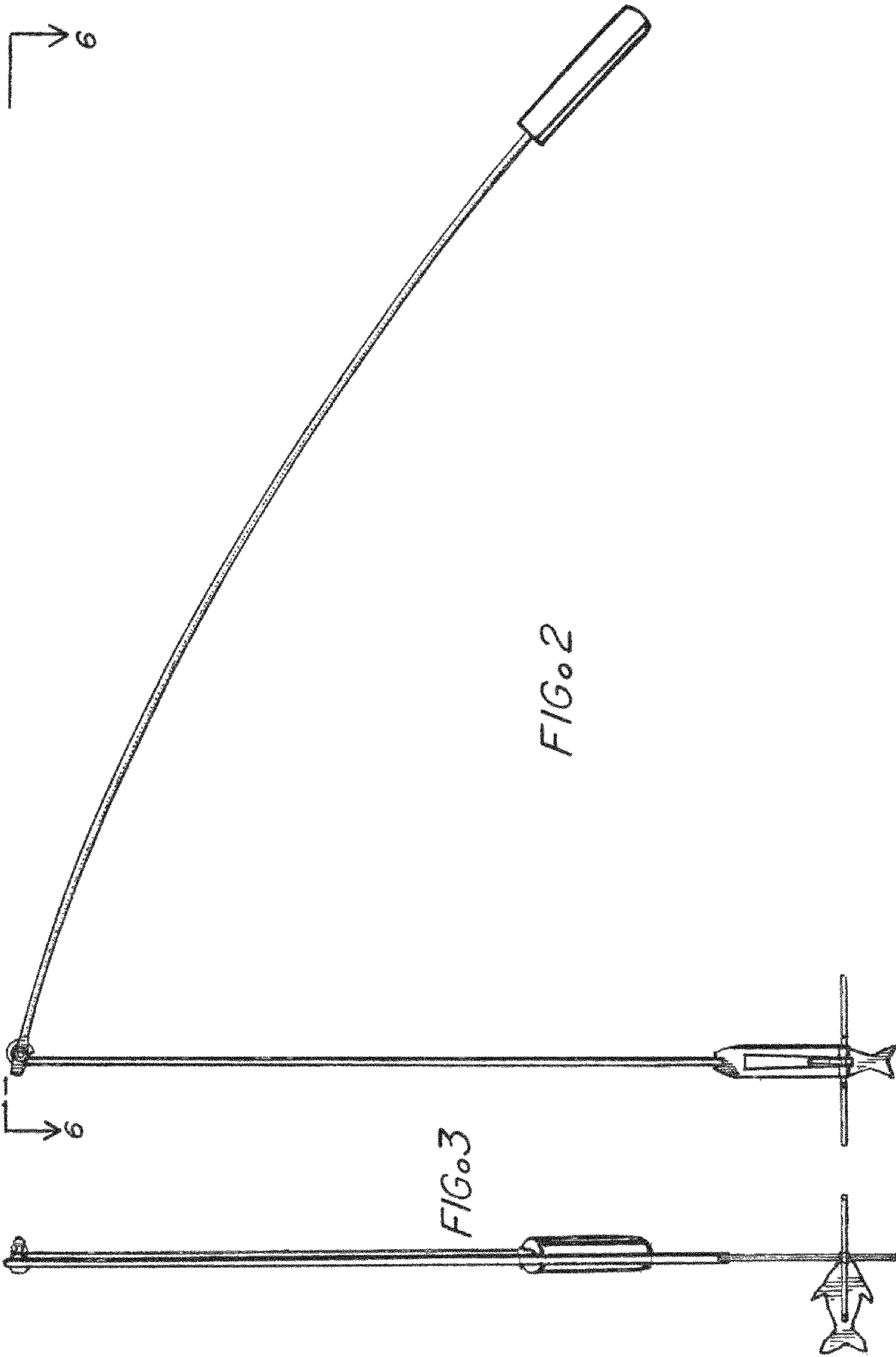




FIG. 4

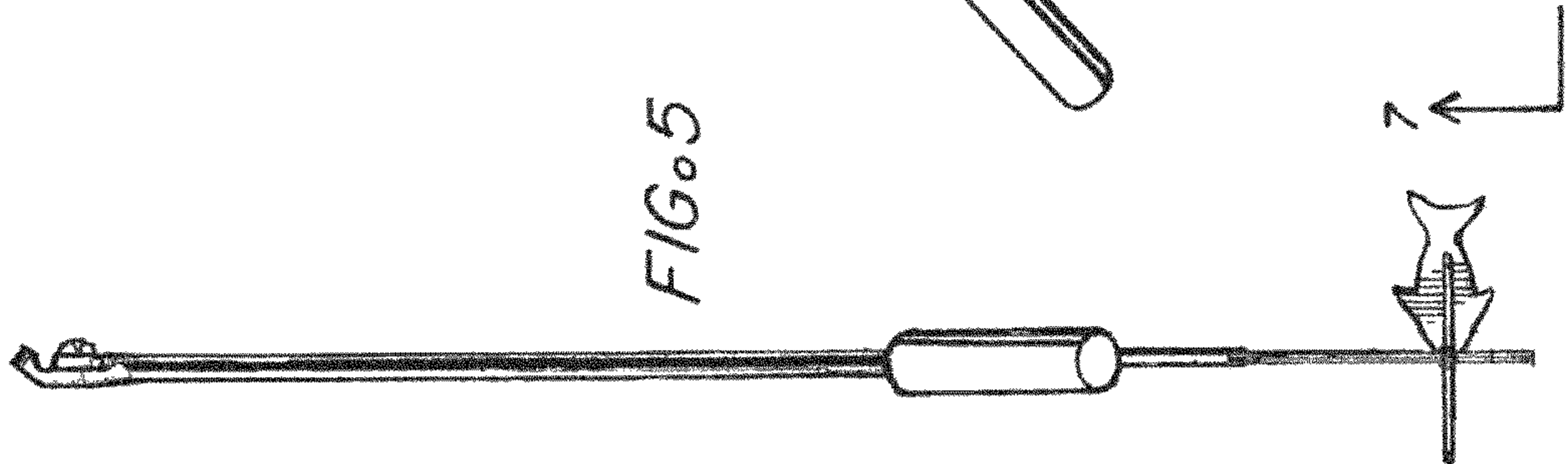


FIG. 5

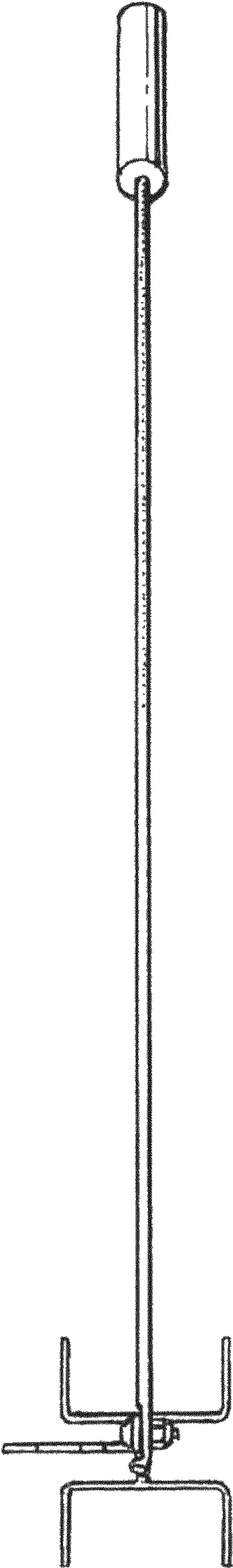


FIG. 6

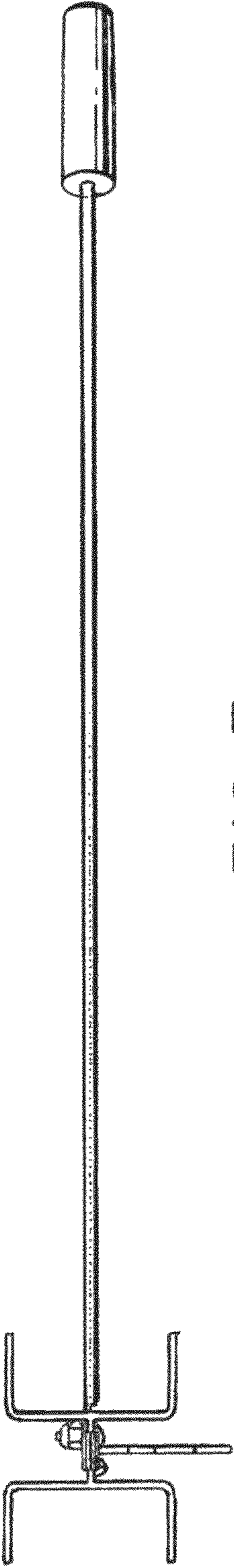


FIG. 7