



US00D681400S

(12) **United States Design Patent**
Gold et al.

(10) **Patent No.:** **US D681,400 S**

(45) **Date of Patent:** **** May 7, 2013**

(54) **FOOD CONTAINER**

(76) Inventors: **Jonathan Morris Gold**, London (GB);
Daniel Jason Tyler, London (GB)

(**) Term: **14 Years**

(21) Appl. No.: **29/430,790**

(22) Filed: **Aug. 30, 2012**

(51) **LOC (9) Cl.** **07-07**

(52) **U.S. Cl.**
USPC **D7/628**

(58) **Field of Classification Search** D7/629,
D7/602, 601, 538-542; D9/424-432, 600,
D9/601; 220/780-806, 574-575, 675, 573.1,
220/660, 260, 288, 326, 236, 4.21, 4.24,
220/4.27, 669-673, 23.83, 23.4
See application file for complete search history.

(56) **References Cited**

U.S. PATENT DOCUMENTS

D266,977 S * 11/1982 Jensen et al. D7/543
D330,309 S * 10/1992 Minuti D7/629

D347,969 S * 6/1994 Cousins et al. D7/548
D449,494 S * 10/2001 Cousins D7/629
D476,861 S * 7/2003 Zettle et al. D7/629

* cited by examiner

Primary Examiner — Terry Wallace

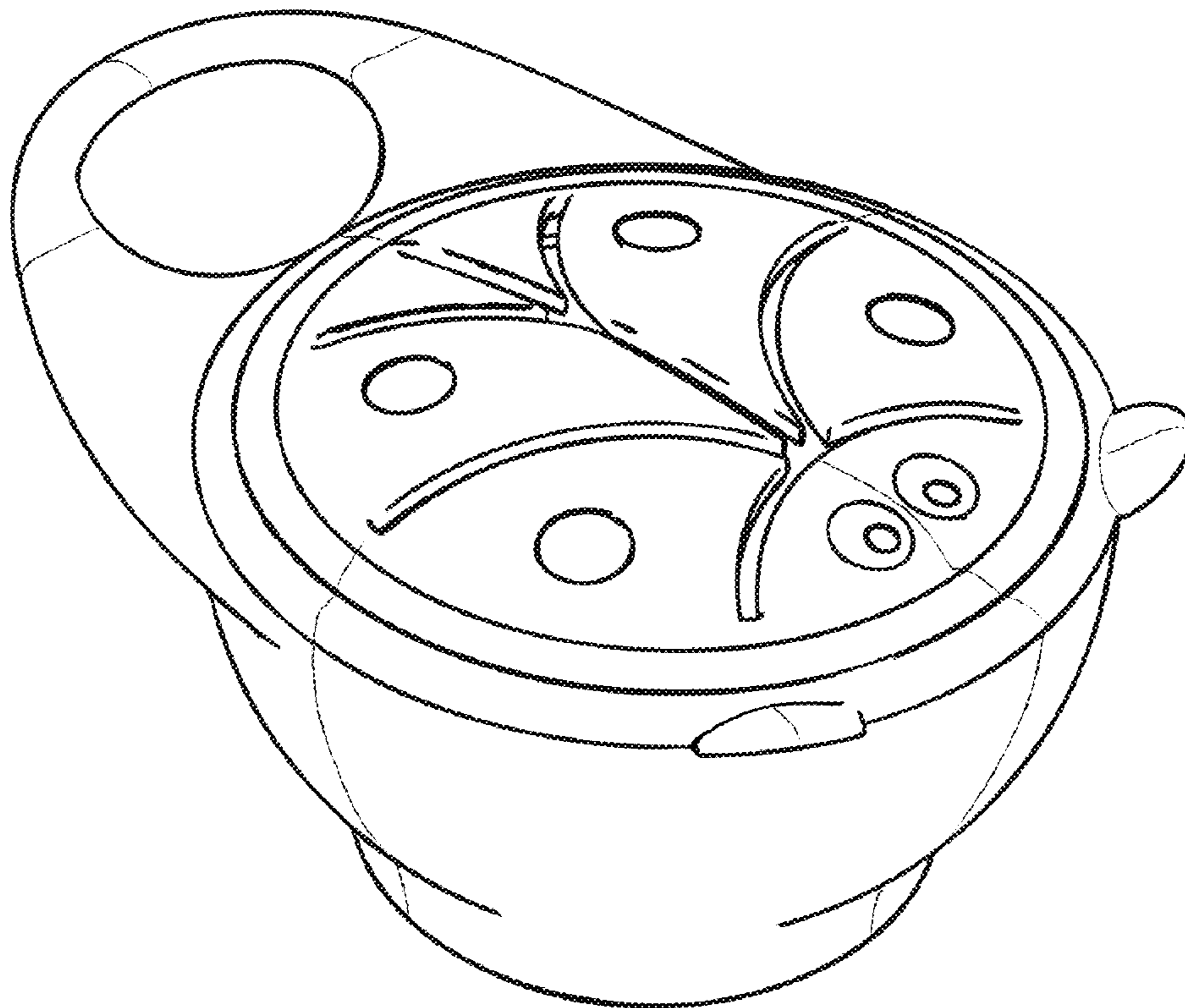
(57) **CLAIM**

The ornamental design for a food container, as shown.

DESCRIPTION

FIG. 1 is a perspective view of a food container showing our new design;
FIG. 2 is a top plan view thereof;
FIG. 3 is a bottom plan view thereof;
FIG. 4 is a front elevational view thereof;
FIG. 5 is a rear elevational view thereof;
FIG. 6 is a first side elevational view thereof; and,
FIG. 7 is a second side elevational view thereof rotated by 180° relative to the first side elevational view of FIG. 6.

1 Claim, 7 Drawing Sheets



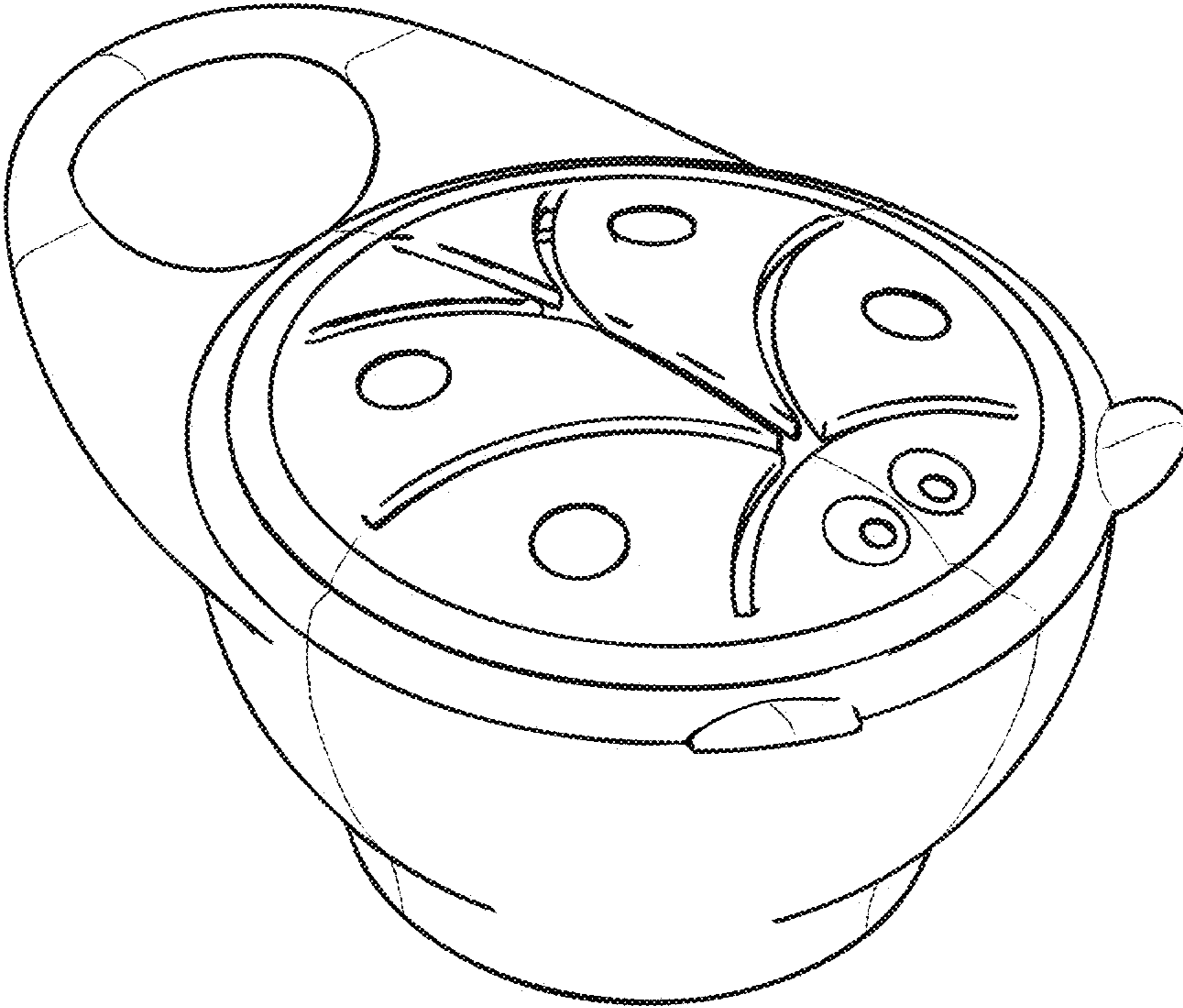


Fig.1

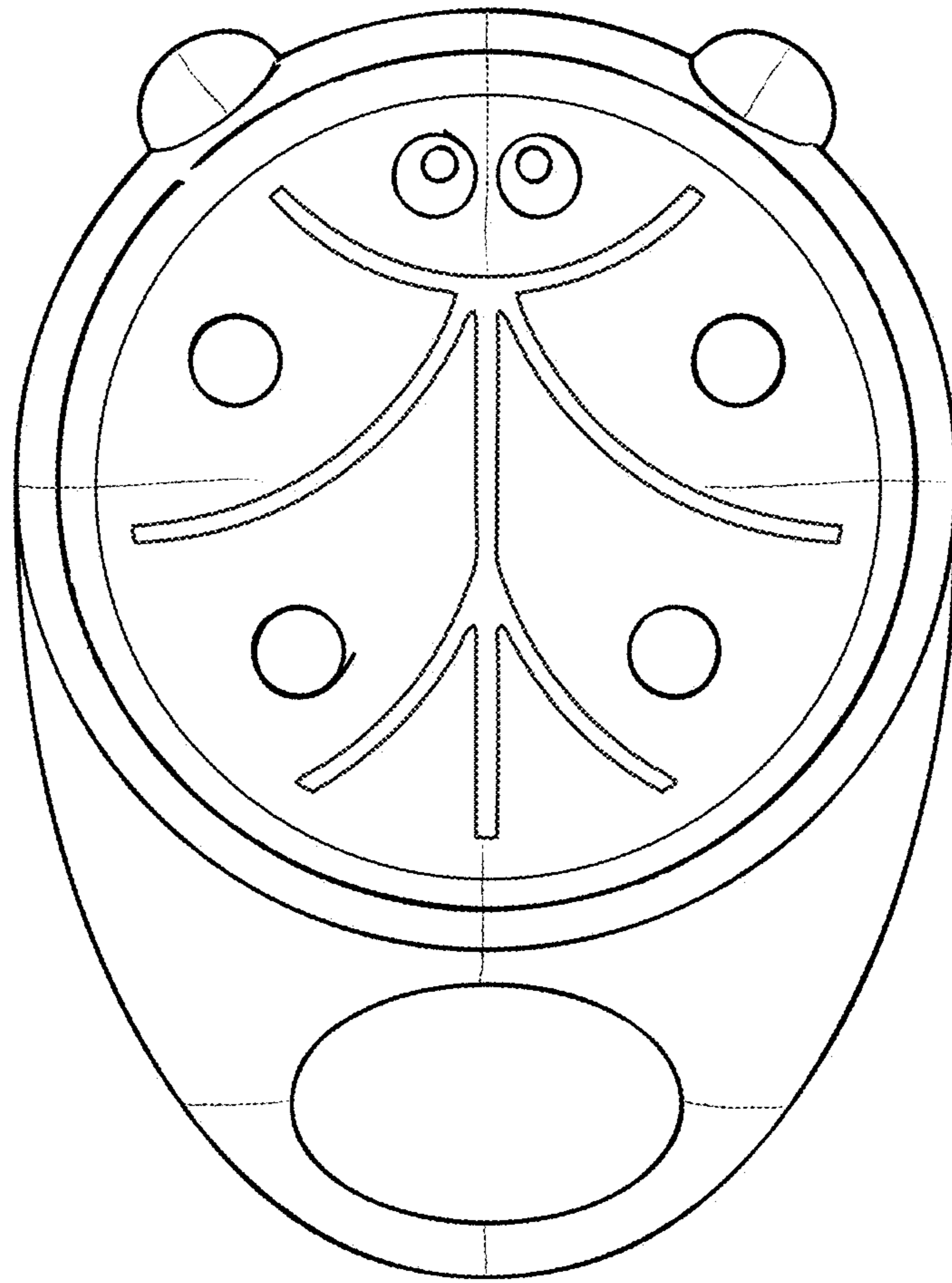


Fig.2

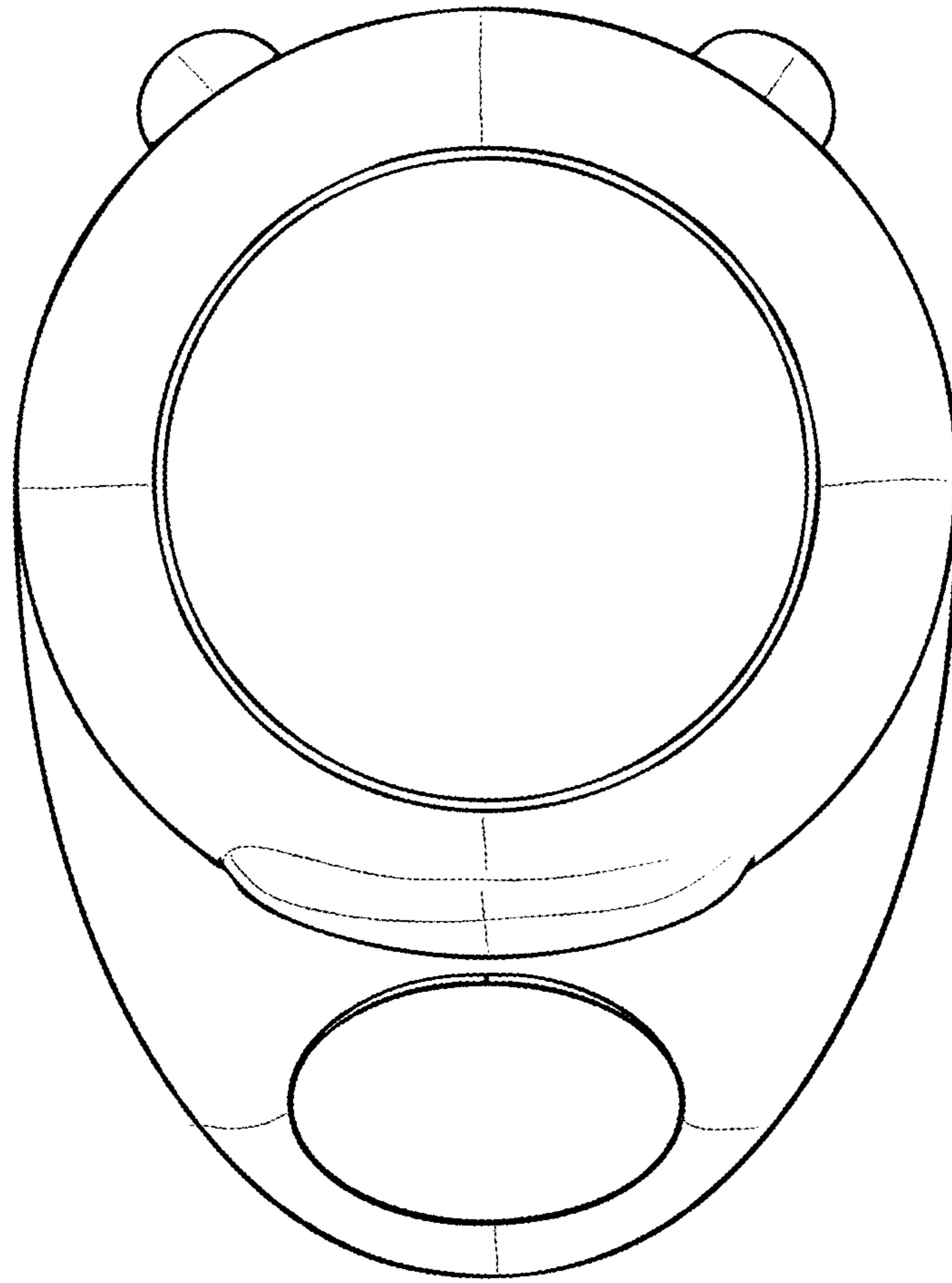


Fig.3

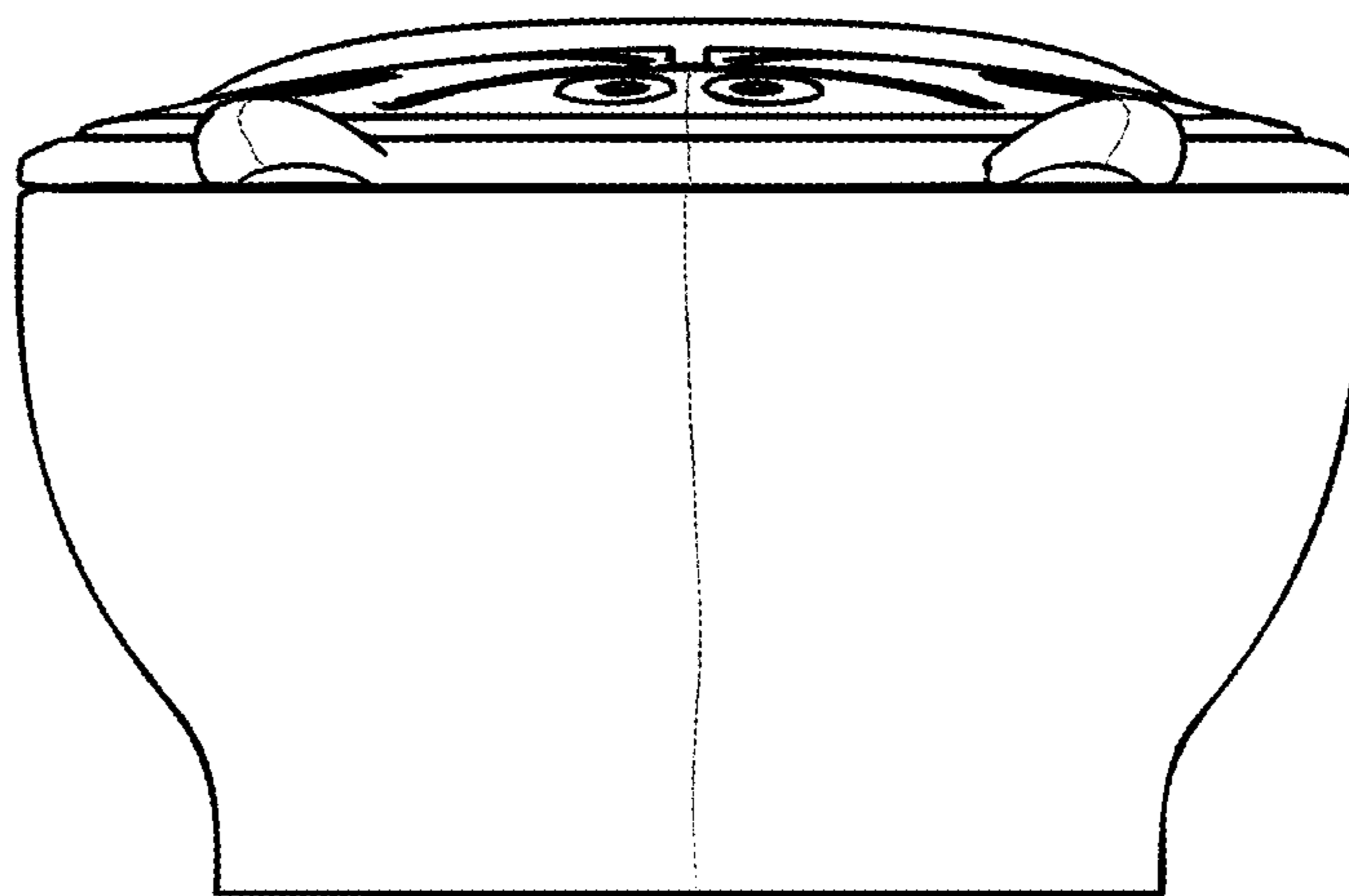


Fig.4

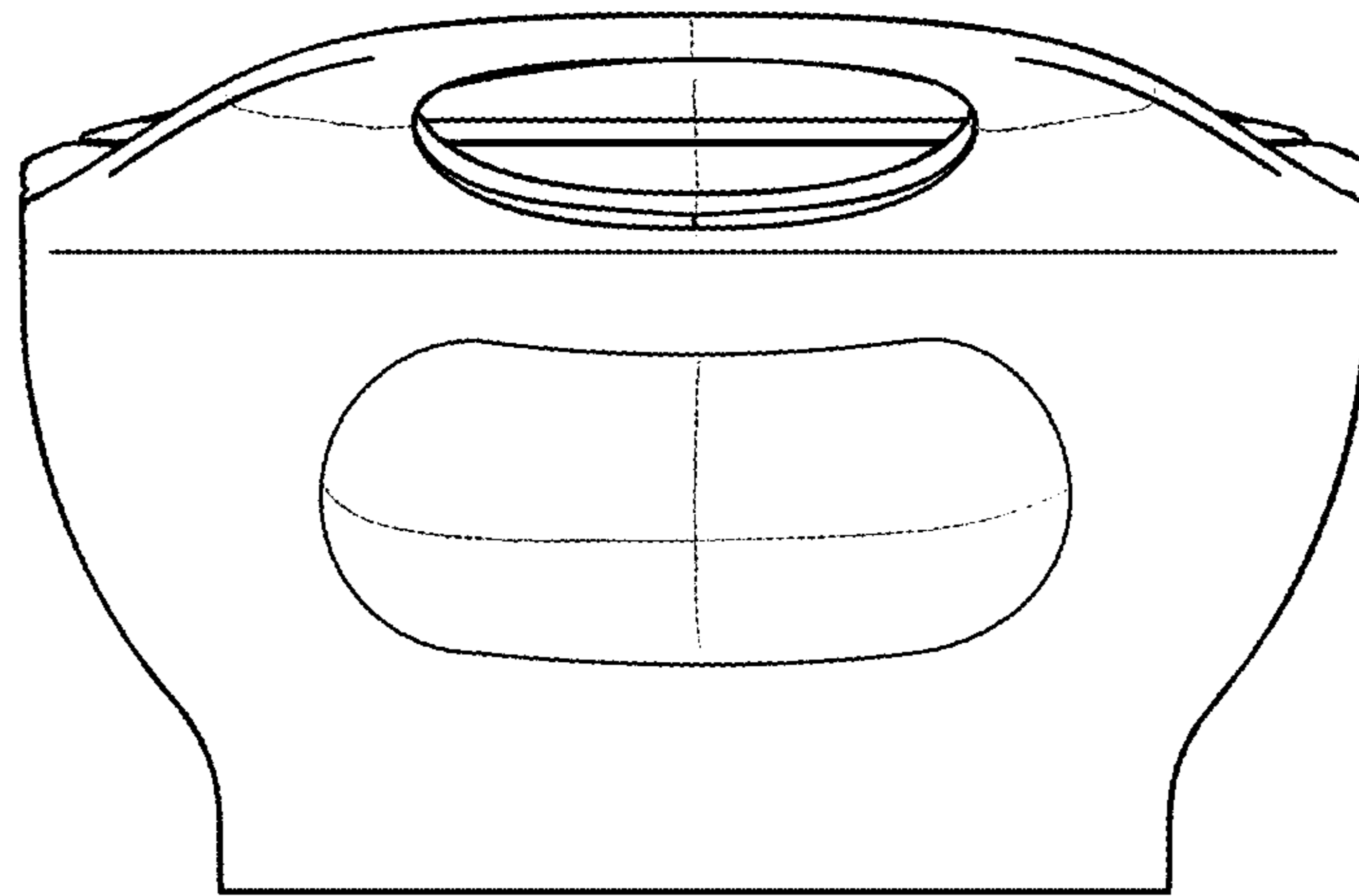


Fig.5

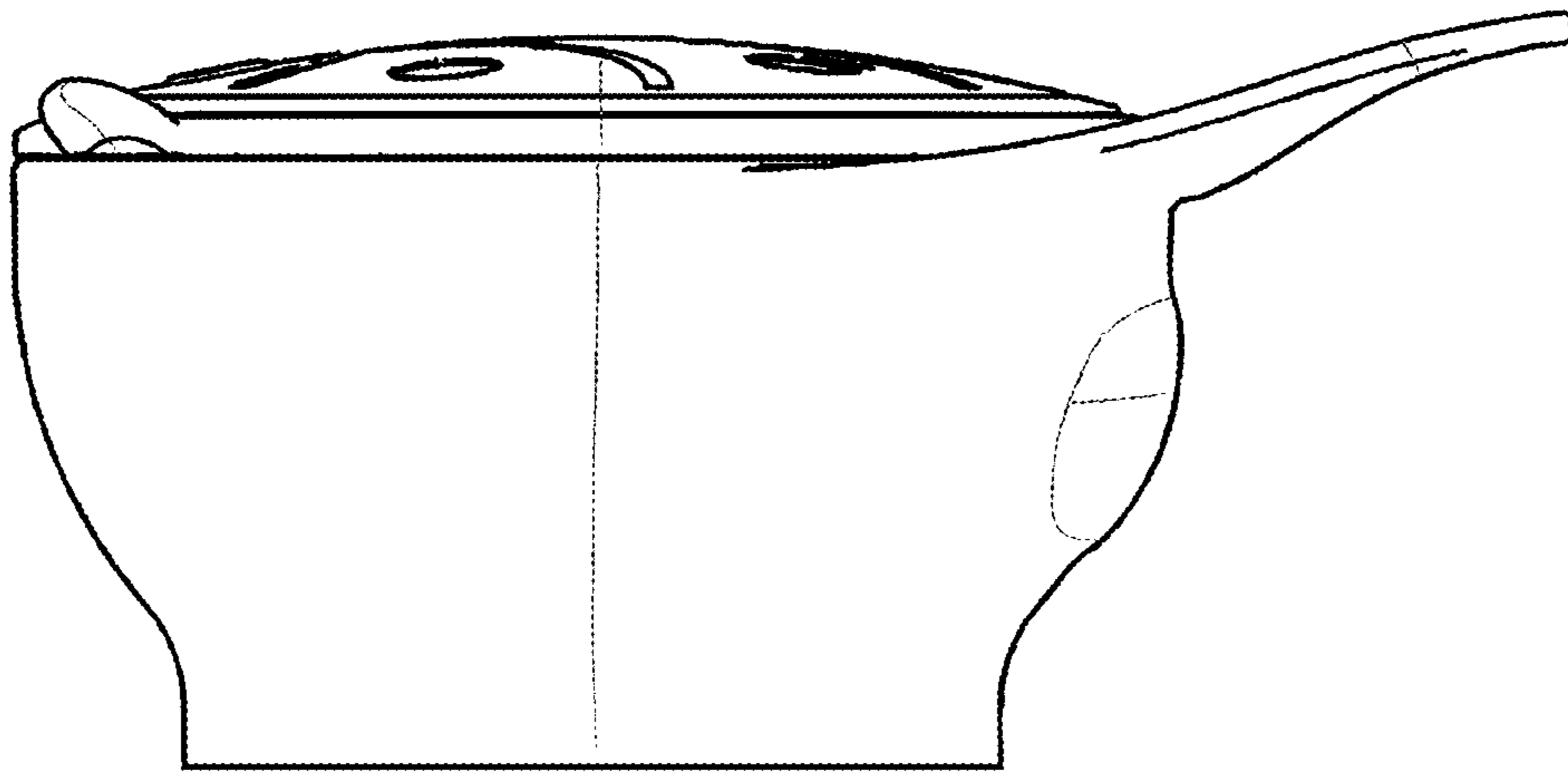


Fig.6

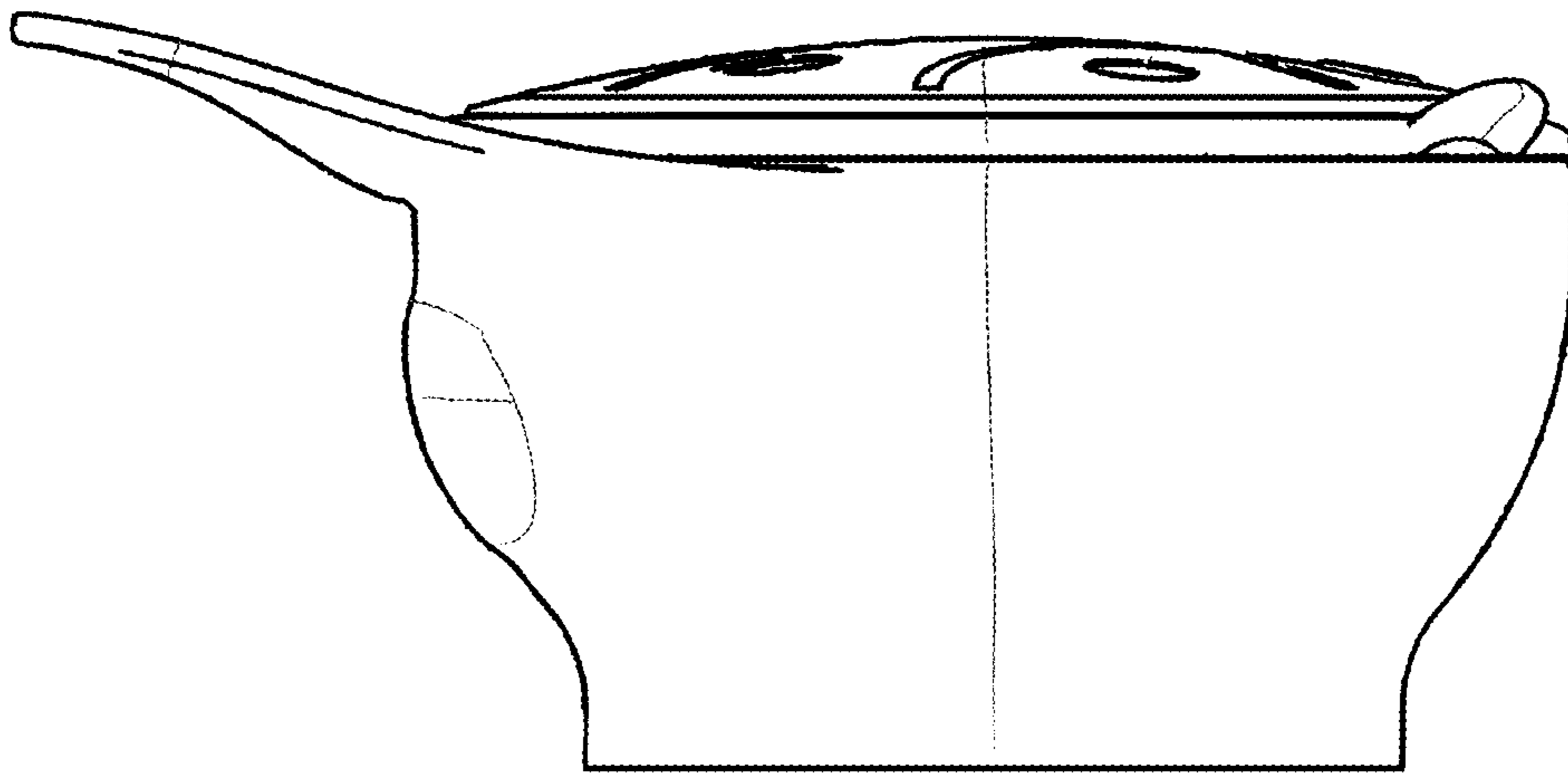


Fig.7