

US00D681398S

(12) **United States Design Patent**
Tsai

(10) **Patent No.:** **US D681,398 S**

(45) **Date of Patent:** **** May 7, 2013**

(54) **DRAWER**

(75) Inventor: **Tsung-Yu Tsai**, Changhua County (TW)

(73) Assignee: **Dongguan Master United Plastic & Hardware Products Co., Ltd.**,
Dongguan, Guangdong Province (CN)

(**) Term: **14 Years**

(21) Appl. No.: **29/430,943**

(22) Filed: **Aug. 31, 2012**

(51) **LOC (9) Cl.** **07-06**

(52) **U.S. Cl.**
USPC **D7/600.1**

(58) **Field of Classification Search** D7/600,
D7/600.1, 600.2, 600.3, 600.4, 392, 397,
D7/589, 590, 596, 597, 601, 602, 609, 610,
D7/612, 614, 615, 620-623, 628-632, 637-641,
D7/701-708, 708.1, 709, 710; D3/201, 203.1-203.4,
D3/203.8, 275, 276, 283, 291, 295-298, 302,
D3/304, 306, 307, 309, 310, 313, 315, 319;
D6/436, 449, 458, 462, 509, 510, 512, 514,
D6/521, 525, 573, 574; D19/75, 77, 78,
D19/83, 86, 92; 211/77, 78, 85.31, 126.1,
211/126.2, 126.9, 126.11, 126.15, 126.16,
211/129.1, 131.1, 133.1, 133.2, 133.4, 133.5,
211/133.6, 162, 181.1; 312/323, 330.1, 334.27,
312/408; 220/4.01, 4.07, 4.22, 4.23, 523,
220/524, 525, 526, 544, 811, 812; 206/6.1;
D28/73, 78

See application file for complete search history.

(56) **References Cited**

U.S. PATENT DOCUMENTS

D315,925 S * 4/1991 Rich D19/92
D553,688 S * 10/2007 Bonaventura et al. D19/92
D588,839 S * 3/2009 Klein et al. D6/462

D628,444 S * 12/2010 Snider D7/600.1
D628,445 S * 12/2010 Snider D7/600.1
D644,491 S * 9/2011 Snider D7/600.1
D653,876 S * 2/2012 Snider D6/462
D657,588 S * 4/2012 Snider D6/462

OTHER PUBLICATIONS

Smartworks Coffee Pod Drawer Keurig Holder, [online], updated on Dec. 13, 2012, retrieved on Dec. 18, 2012. Retrieved from, <URL: http://www.ebay.com/itm/SmartWorks-coffee-pod-drawer-Keurig-holds-30-k-cups-/181025920406?pt=LH_DefaultDomain_0&hash=item2a25fc5596>, 1 page.*

* cited by examiner

Primary Examiner — Ian Simmons

Assistant Examiner — Shannon Weekley

(74) *Attorney, Agent, or Firm* — Muncy, Geissler, Olds & Lowe, PLLC

(57) **CLAIM**

The ornamental design for a drawer, as shown and described.

DESCRIPTION

FIG. 1 shows a front top perspective view of the drawer showing my new design;

FIG. 2 shows a front view of the present design,

FIG. 3 shows a rear view thereof;

FIG. 4 shows a left side view thereof;

FIG. 5 shows a right side view thereof;

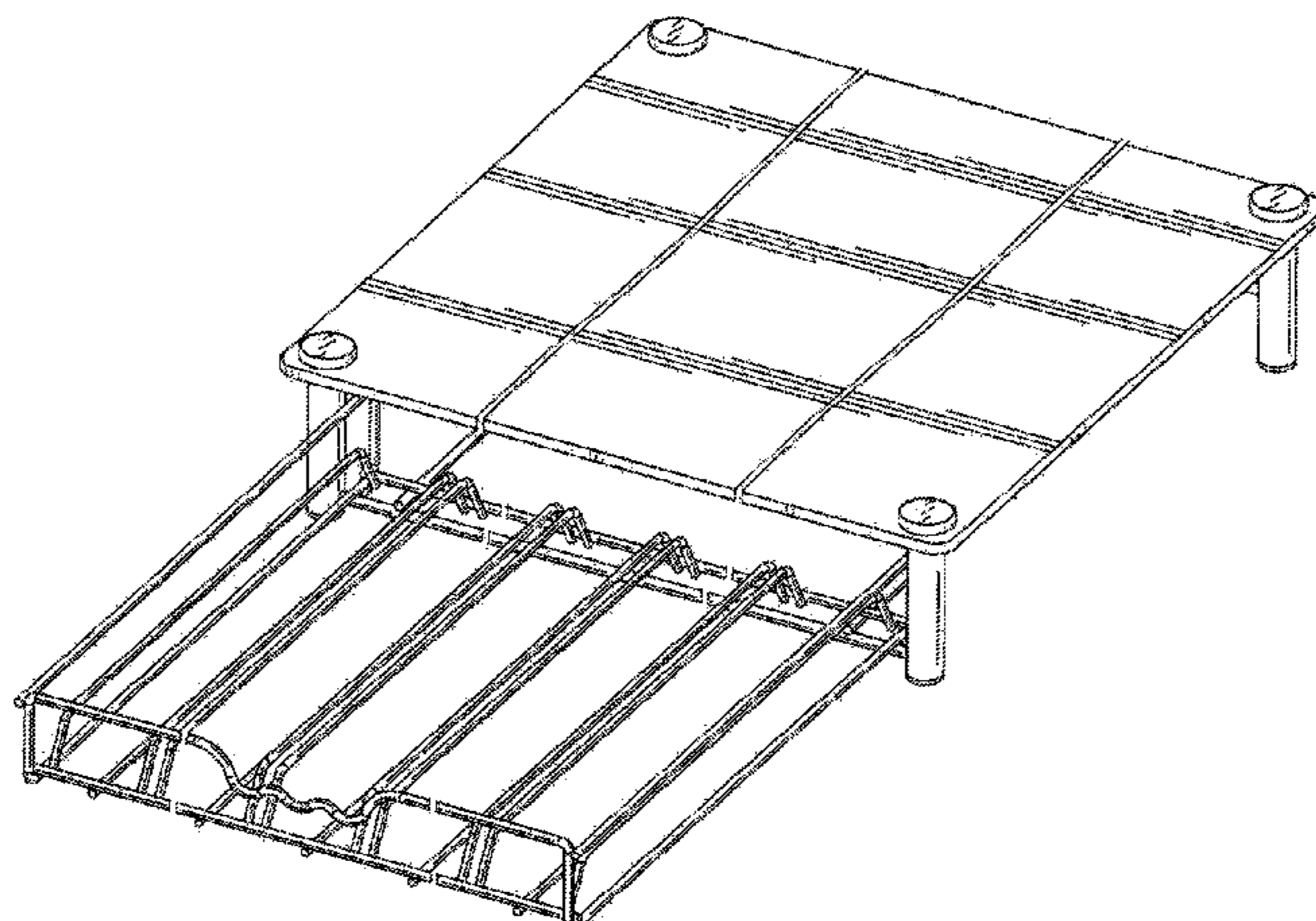
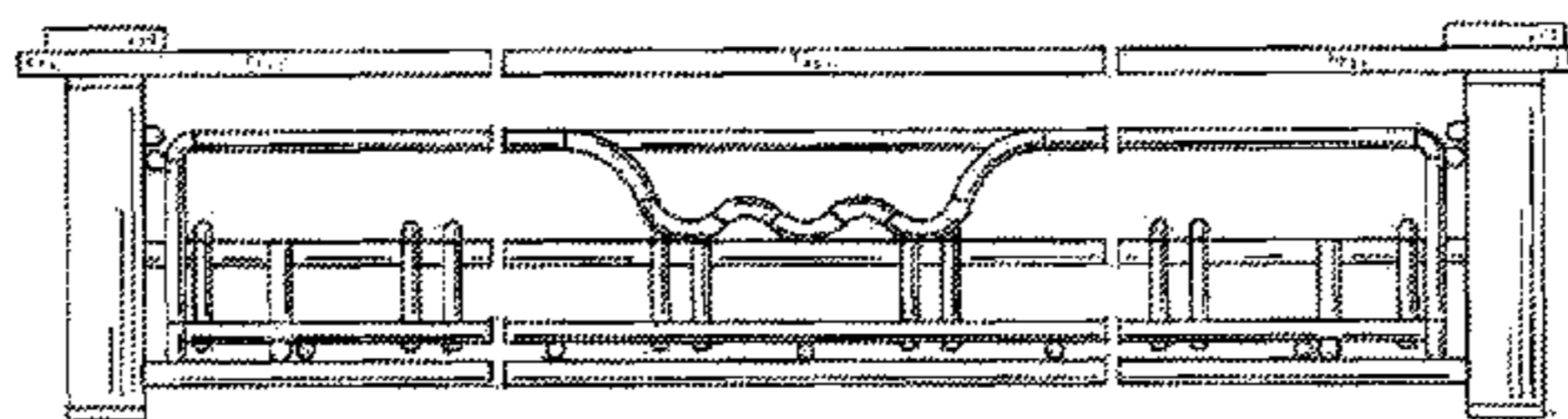
FIG. 6 shows a top plan view thereof;

FIG. 7 shows a bottom plan view thereof; and,

FIG. 8 shows a front top perspective view thereof with the drawer shown in an open condition.

The drawer is shown broken in two places along the length to indicate indeterminate length, with the understanding that the “indeterminate” length portion of the drawer not shown forms no part of the claimed design. Patentability is based only on those portions of the article that are shown in solid lines.

1 Claim, 6 Drawing Sheets



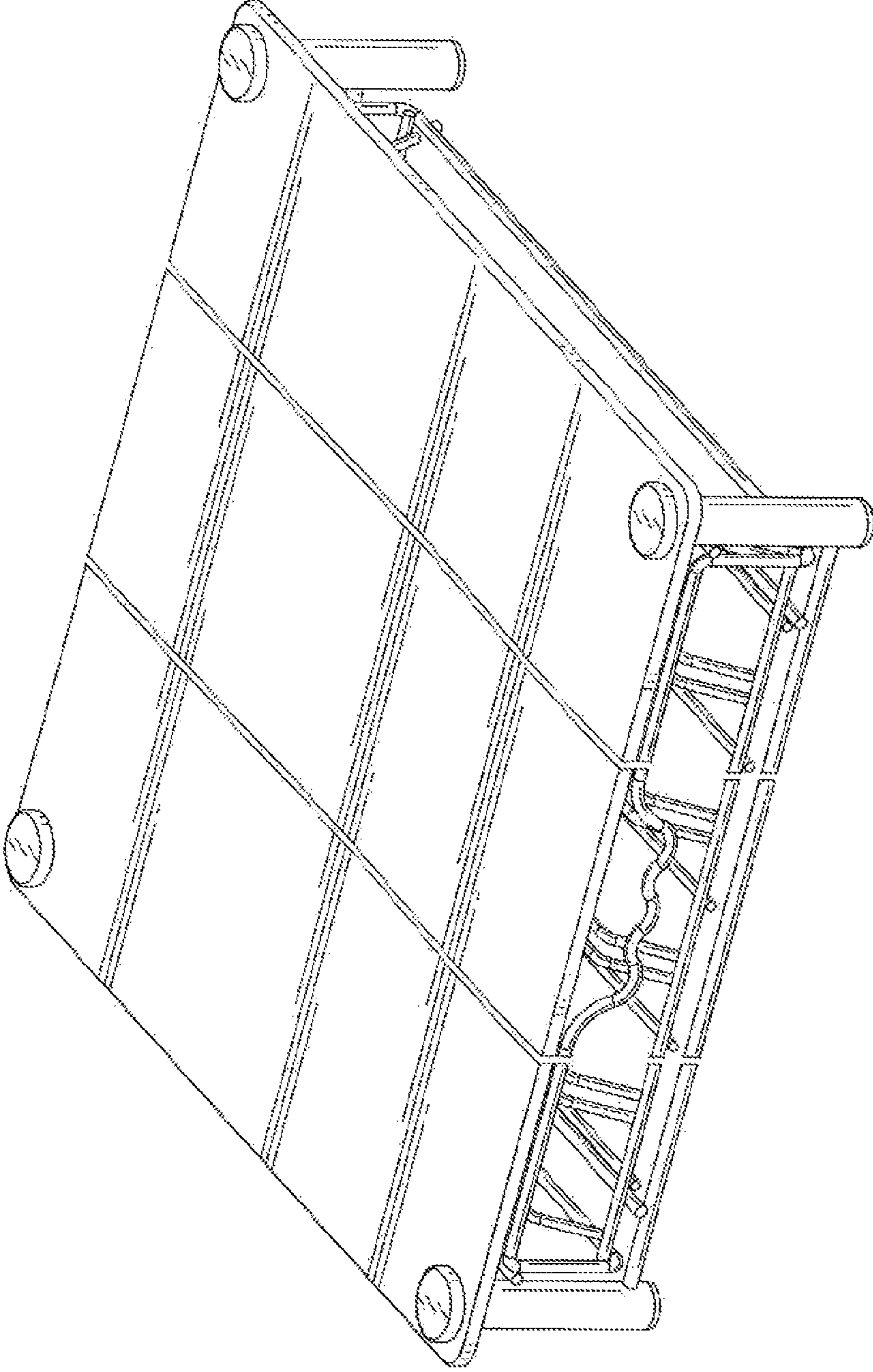


FIG. 1

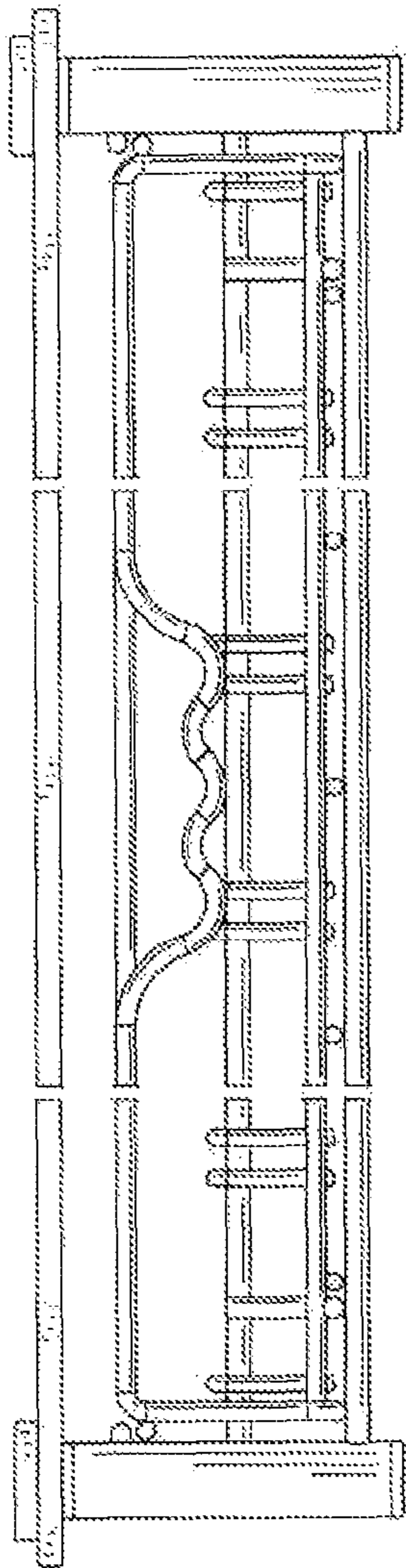


FIG. 2

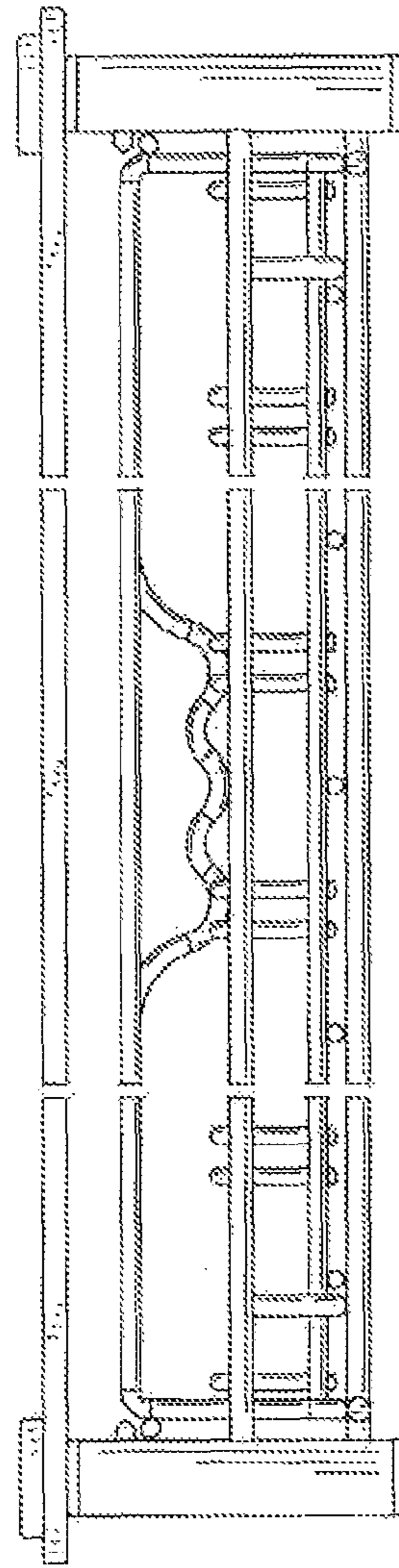


FIG. 3

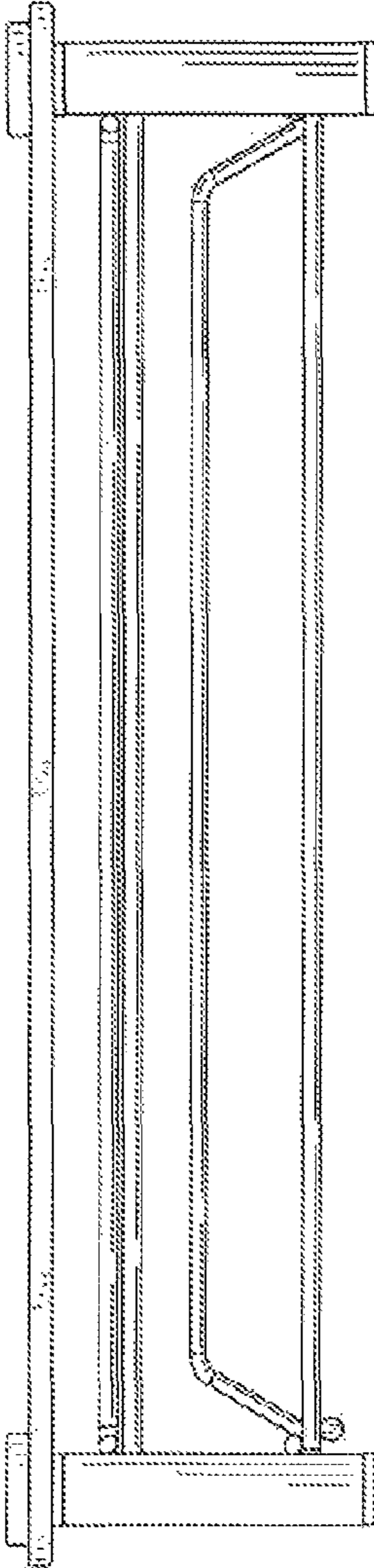


FIG. 4

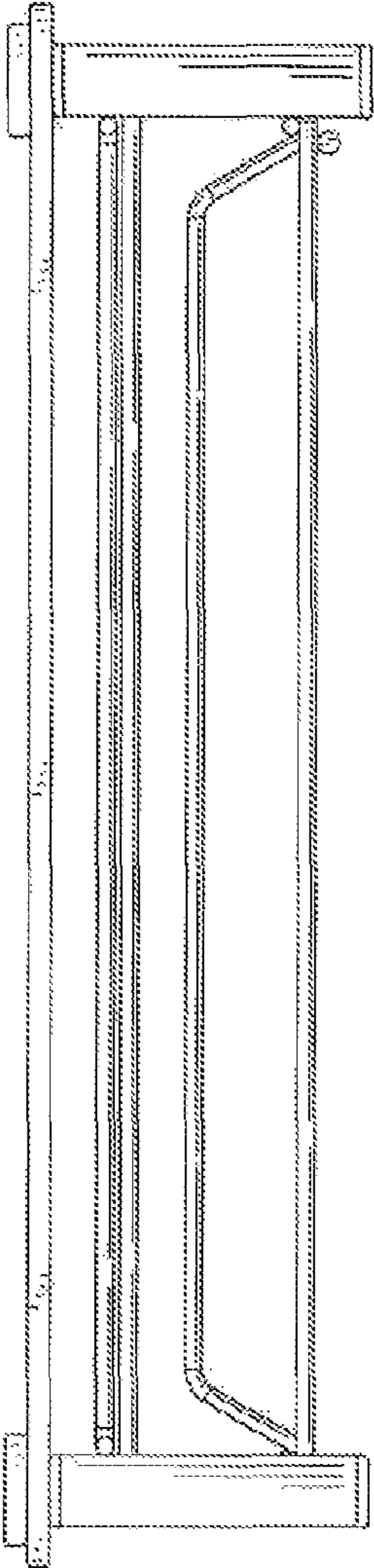


FIG. 5

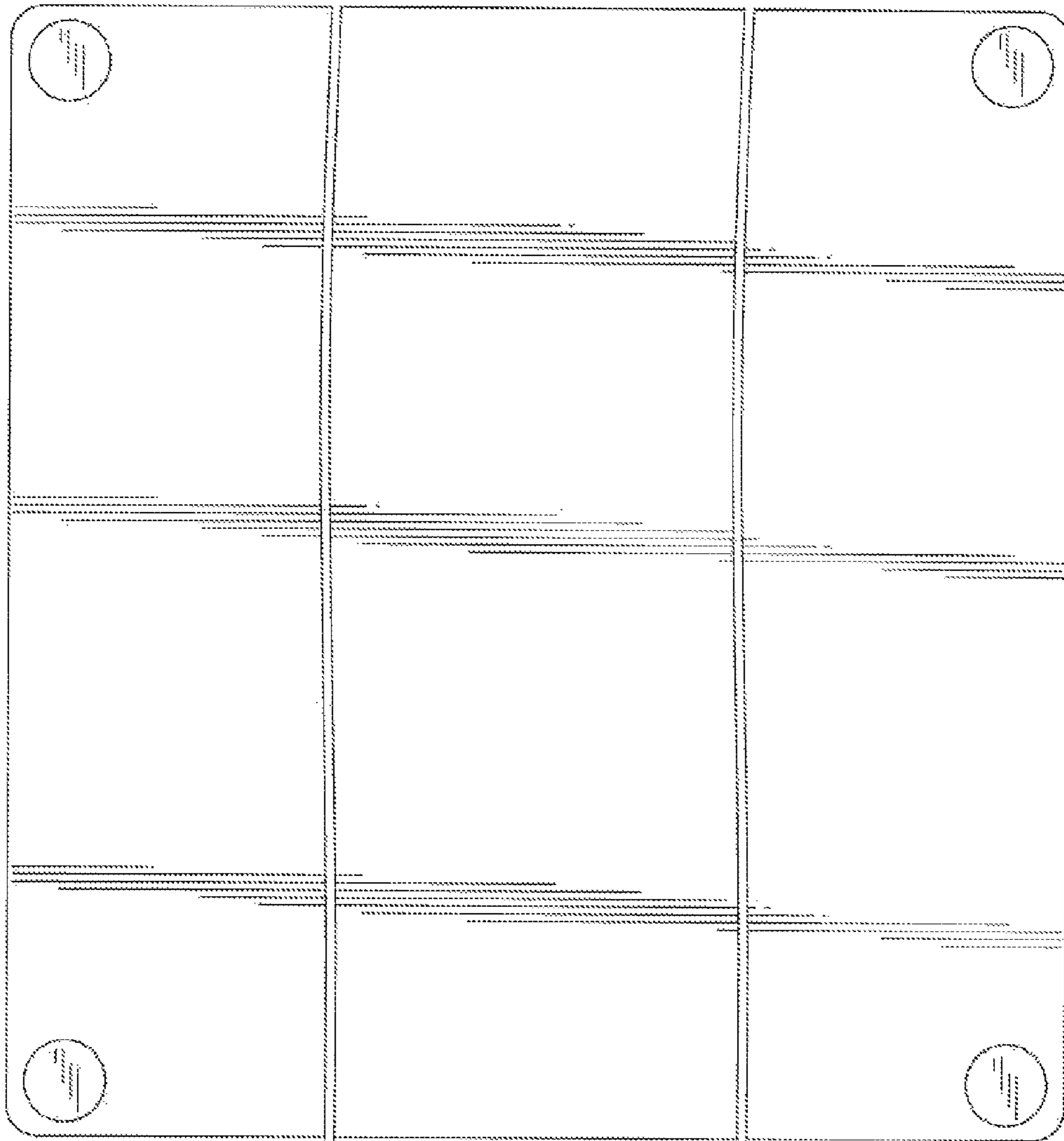


FIG. 6

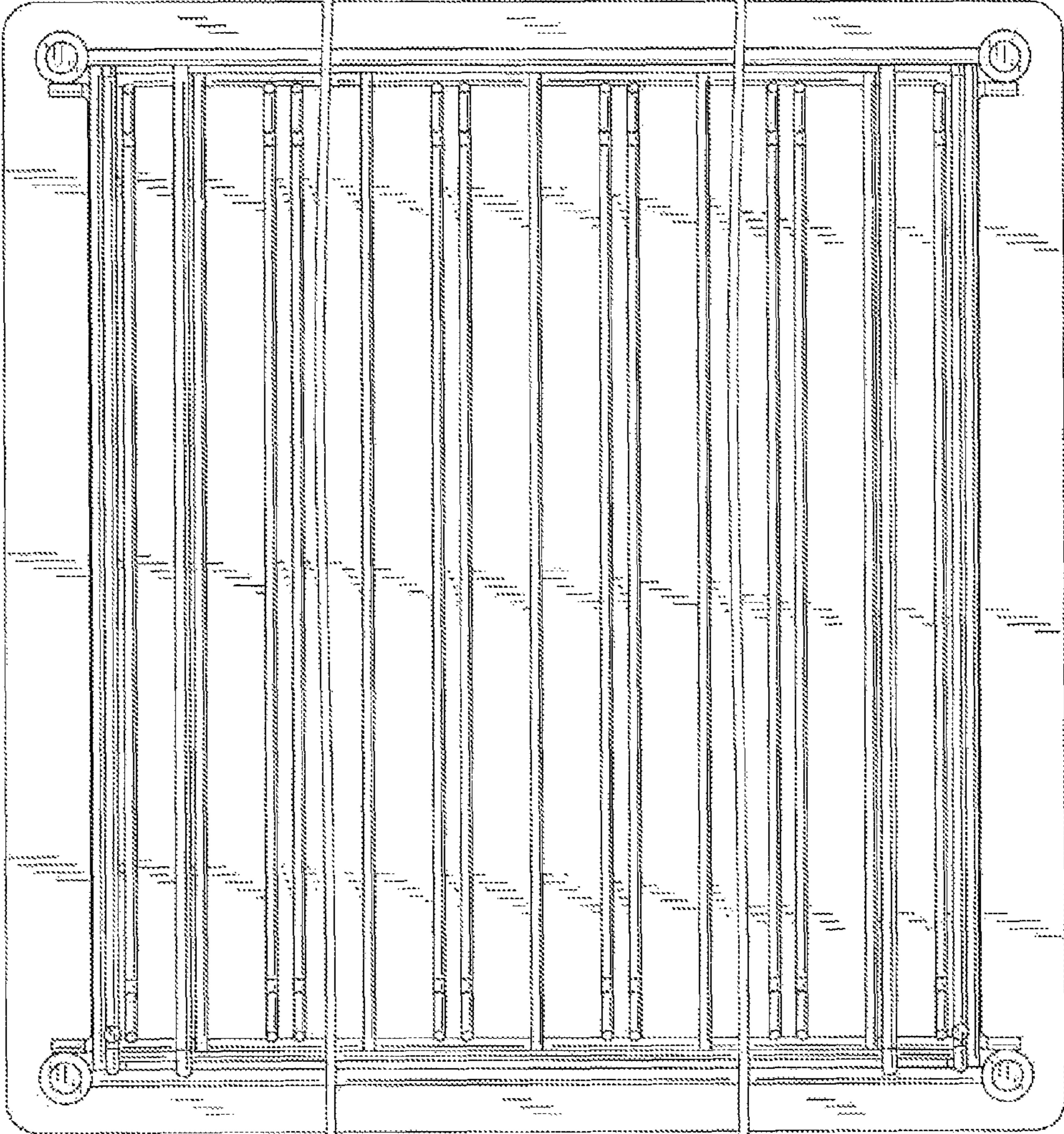


FIG. 7

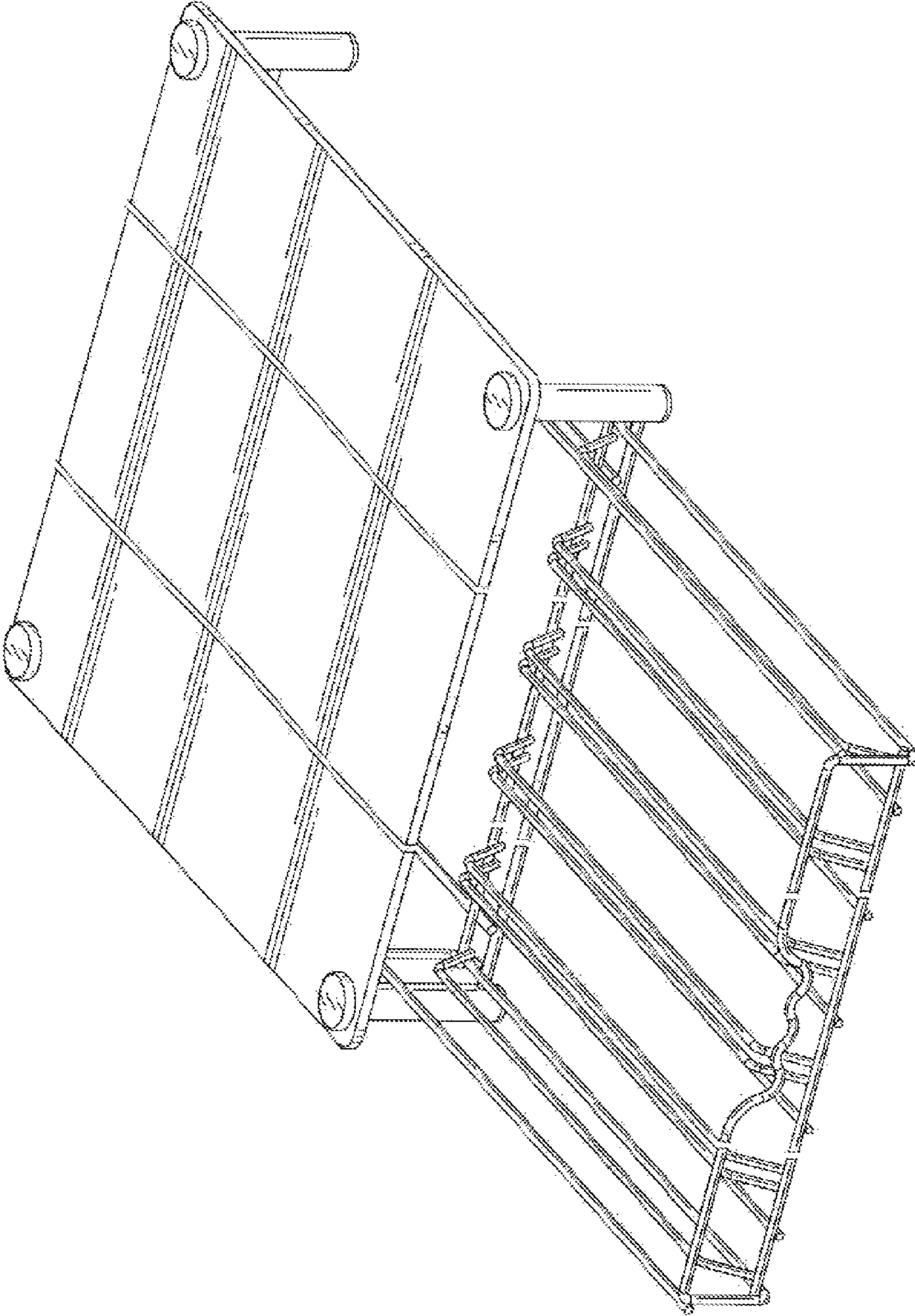


FIG. 8