

US00D681393S

(12) **United States Design Patent**
Agarwal et al.

(10) **Patent No.:** **US D681,393 S**

(45) **Date of Patent:** **** May 7, 2013**

(54) **ADJUSTABLE VENTURIAERATOR**

(75) Inventors: **Dhruv Agarwal**, Seattle, WA (US); **Erin Malaspino**, Seattle, WA (US)

(73) Assignee: **True Fabrications, Inc.**, Seattle, WA (US)

(**) Term: **14 Years**

(21) Appl. No.: **29/409,126**

(22) Filed: **Dec. 20, 2011**

(51) **LOC (9) Cl.** **07-99**

(52) **U.S. Cl.**

USPC **D7/398; D7/700; D7/397; D7/213**

(58) **Field of Classification Search** **D7/398,**

D7/397, 387, 213, 700, 400, 667; D9/440;

261/DIG. 75, 76; 222/190, 189.07, 113

See application file for complete search history.

(56) **References Cited**

U.S. PATENT DOCUMENTS

D334,120 S * 3/1993 Faight D7/700

5,293,912 A * 3/1994 Wildash et al. 141/344

5,713,263 A * 2/1998 Burks, III 99/323.1

D447,602 S * 9/2001 Dumler et al. D28/76

D499,616 S * 12/2004 Sanders et al. D7/700

7,299,743 B2 * 11/2007 Moore 99/323.1

D605,465 S * 12/2009 Benton et al. D7/396.2

D624,358 S * 9/2010 Maufette et al. D7/398

7,841,584 B2 * 11/2010 Sabadicci et al. 261/76

D633,753 S * 3/2011 White D7/398

D653,753 S * 2/2012 Ecabert et al. D24/118

* cited by examiner

Primary Examiner — Marianne Pandozzi

(74) *Attorney, Agent, or Firm* — Lowe Graham Jones PLLC

(57) **CLAIM**

We claim the ornamental design for the adjustable venturi aerator, as shown and described.

DESCRIPTION

FIG. 1 is a front perspective view of the adjustable venturi aerator, showing our new design;

FIG. 2 is a left side view thereof;

FIG. 3 is a right side view thereof;

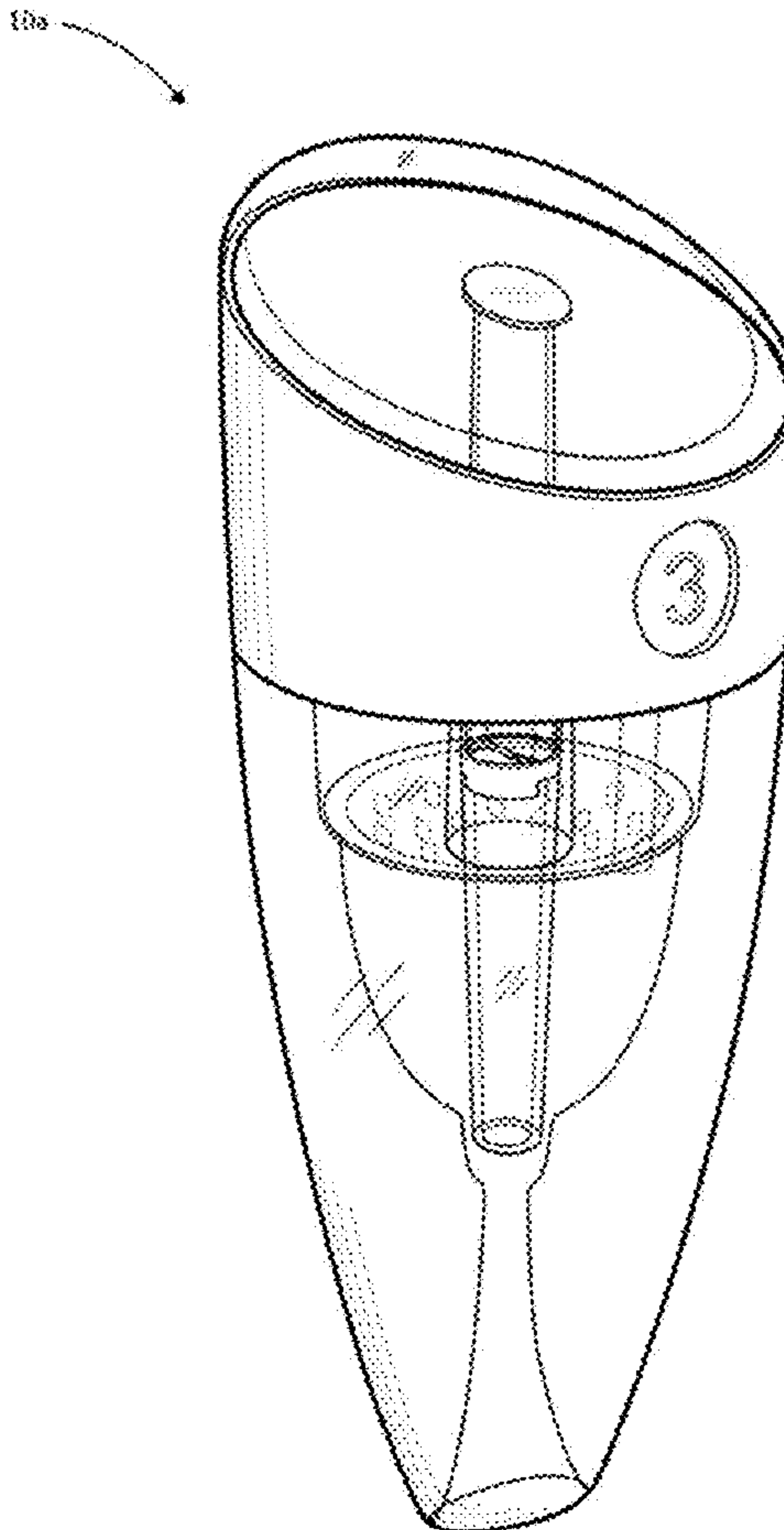
FIG. 4 is a top plan view thereof;

FIG. 5 is a bottom plan view thereof;

FIG. 6 is a rear view thereof; and,

FIG. 7 is a front view thereof.

1 Claim, 3 Drawing Sheets



10a

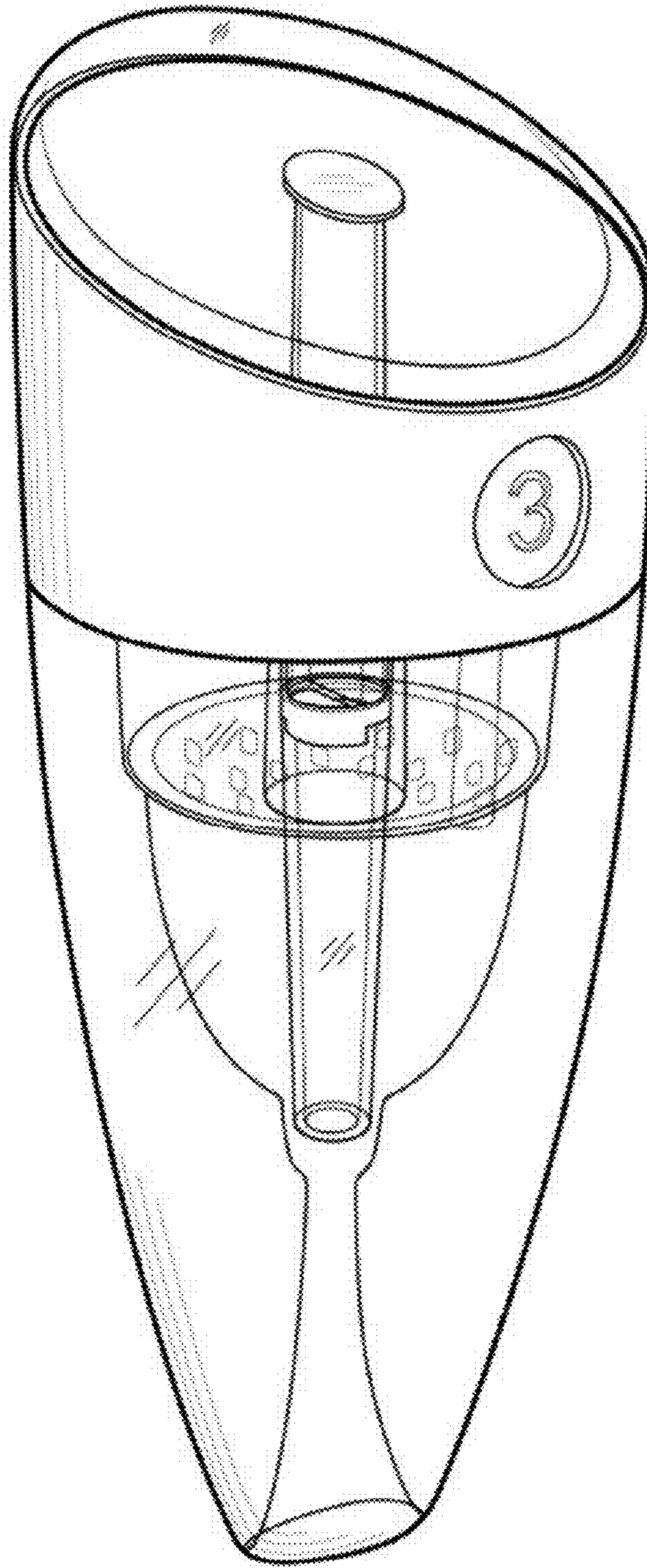


Fig. 1

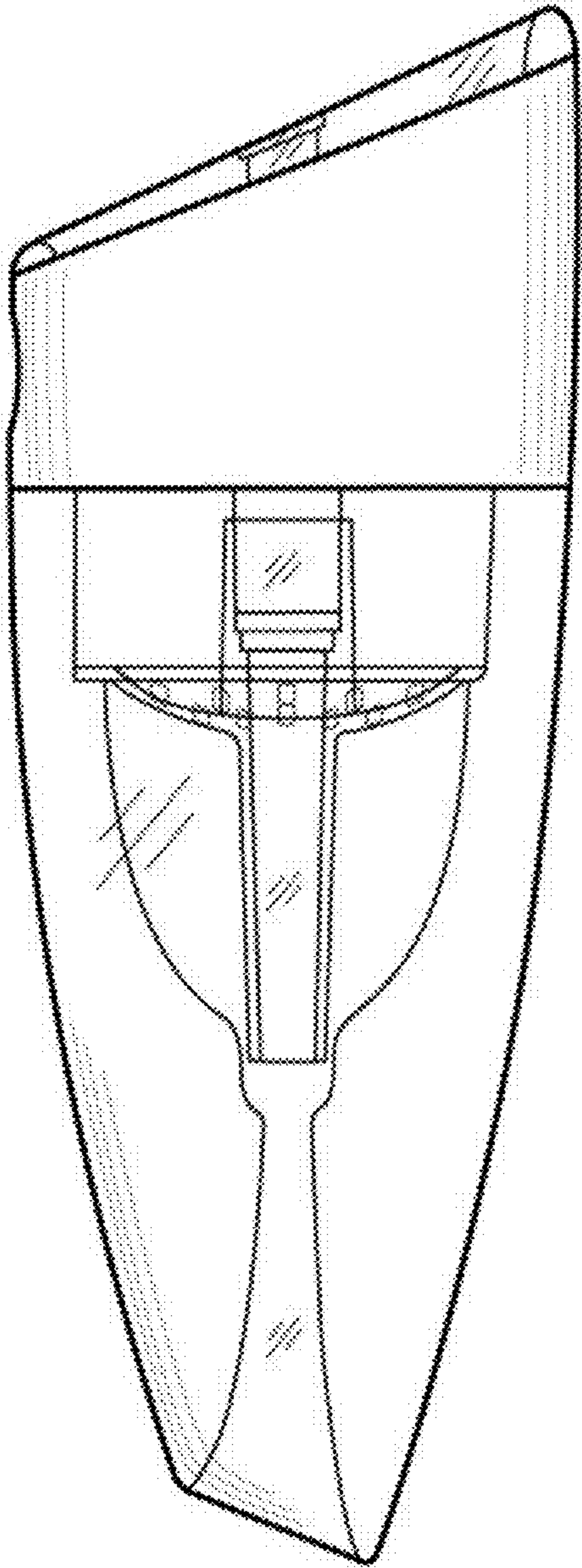


Fig. 2

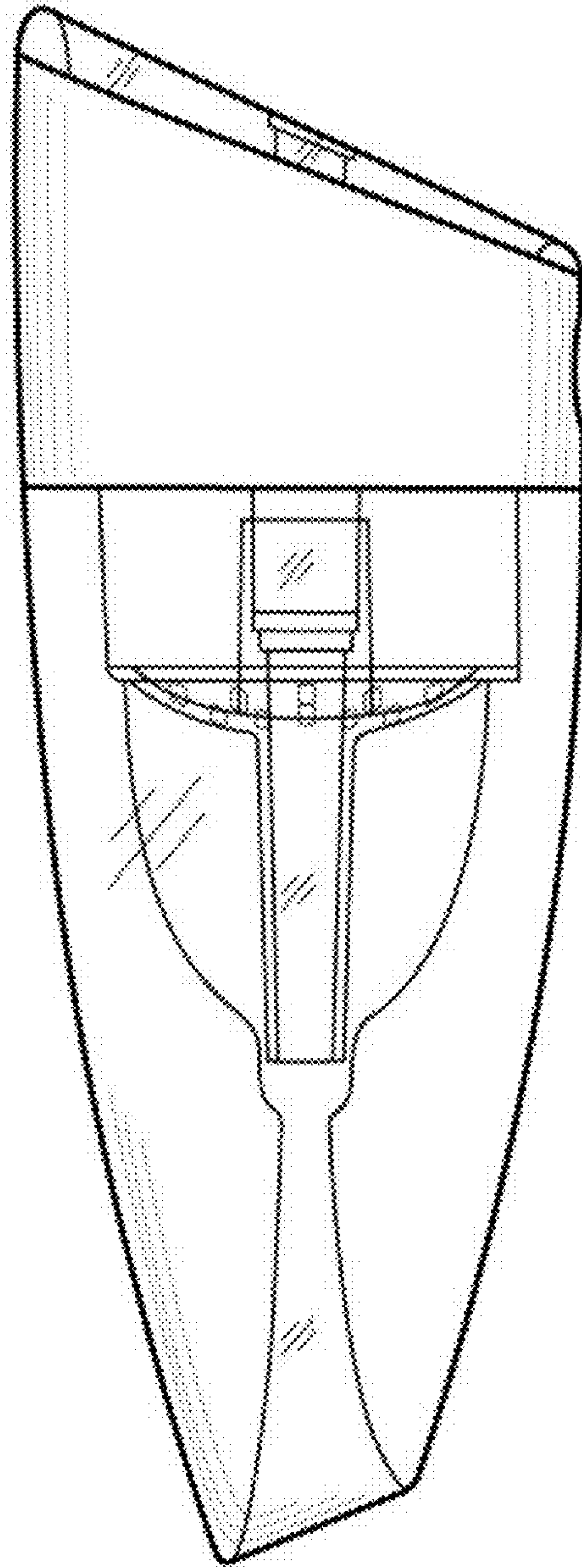


Fig. 3

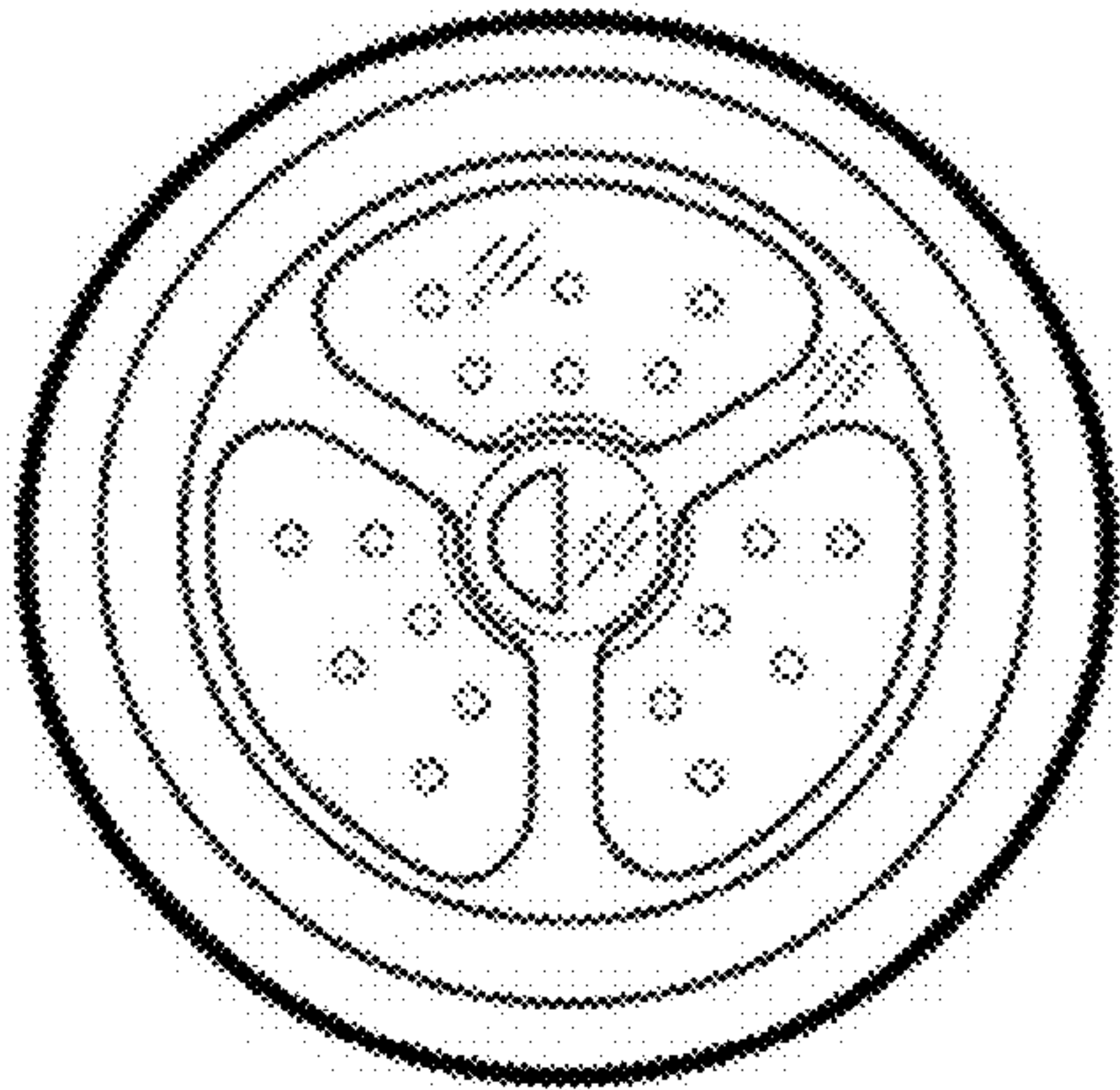


Fig. 4

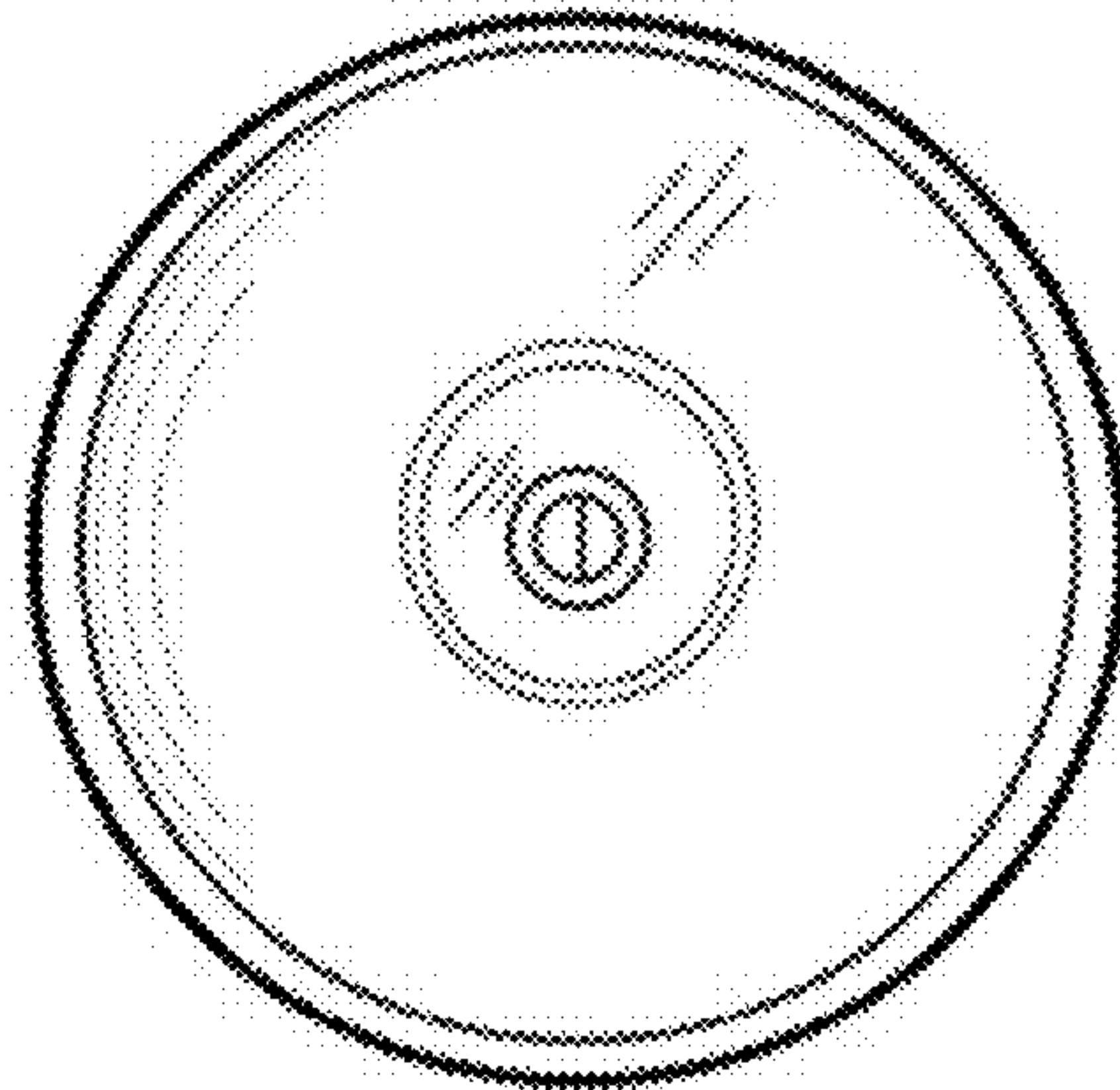


Fig. 5

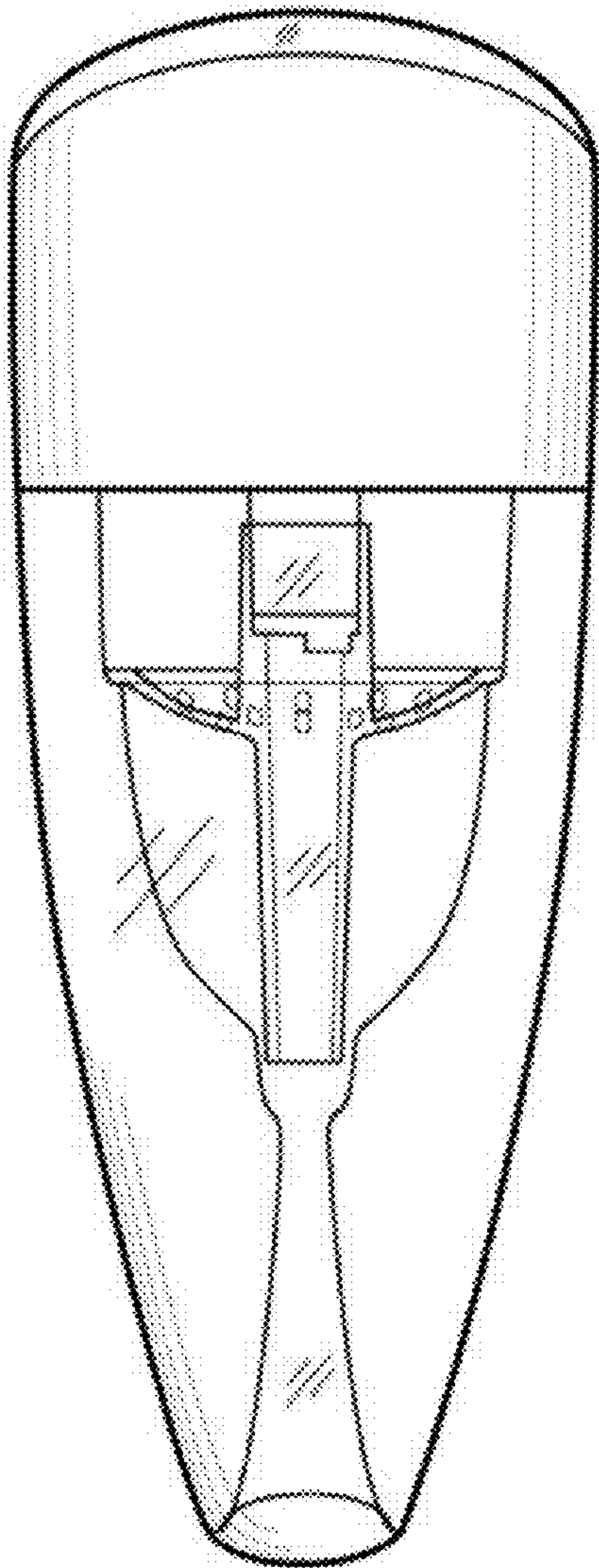


Fig. 6

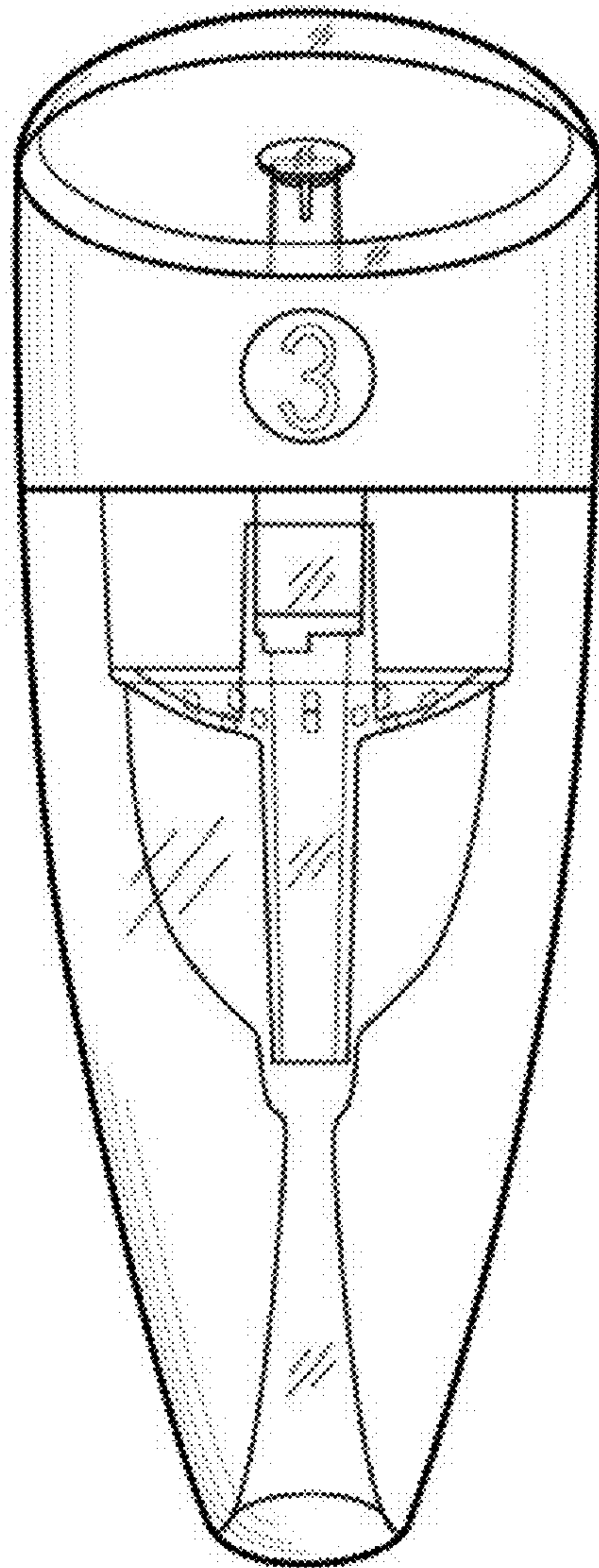


Fig. 7