



US00D681392S

(12) **United States Design Patent**  
**Dichraff et al.**

(10) **Patent No.:** **US D681,392 S**  
(45) **Date of Patent:** **\*\* May 7, 2013**

- (54) **COFFEE POT PRESS HANDLE**
- (75) Inventors: **Aric Dichraff**, Madison, WI (US); **Craig Stevenson**, Saukville, WI (US); **Morad Ghassemian**, Oak Park, IL (US); **William Cesaroni**, Glenview, IL (US)
- (73) Assignee: **Hy Cite Enterprises LLC**, Madison, WI (US)
- (\*\*) Term: **14 Years**

|              |         |              |       |        |
|--------------|---------|--------------|-------|--------|
| D488,340 S * | 4/2004  | Zimmermann   | ..... | D7/318 |
| 6,797,304 B2 | 9/2004  | McGonagle    |       |        |
| D522,796 S * | 6/2006  | Teh-Hsiung   | ..... | D7/318 |
| D526,159 S * | 8/2006  | Schmidt      | ..... | D7/393 |
| 7,093,531 B2 | 8/2006  | Tardif       |       |        |
| D527,578 S * | 9/2006  | Schmidt      | ..... | D7/393 |
| D531,449 S * | 11/2006 | Ranzoni      | ..... | D7/393 |
| D533,025 S * | 12/2006 | Ranzoni      | ..... | D7/393 |
| D534,763 S * | 1/2007  | Ranzoni      | ..... | D7/393 |
| D541,587 S   | 5/2007  | Pezij        |       |        |
| 7,279,660 B2 | 10/2007 | Long et al.  |       |        |
| D557,978 S   | 12/2007 | Bodum et al. |       |        |
| D566,454 S   | 4/2008  | Bodum        |       |        |

(Continued)

- (21) Appl. No.: **29/422,208**
- (22) Filed: **May 17, 2012**
- (51) **LOC (9) Cl.** ..... **07-02**
- (52) **U.S. Cl.**  
USPC ..... **D7/393; D7/399**
- (58) **Field of Classification Search** ..... D7/317,  
D7/318, 319, 392, 393, 394, 396.2, 399, 510,  
D7/533, 536; D8/107, 307; 215/396, 398;  
220/753, 755, 756, 771; 99/295, 297, 299  
See application file for complete search history.

Primary Examiner — Cynthia M Chin

(74) *Attorney, Agent, or Firm* — Michael Best & Friedrich LLP

(57) **CLAIM**

We claim the ornamental design for a coffee pot press handle, as shown and described.

**DESCRIPTION**

FIG. 1 is a perspective view of the coffee pot press handle.  
 FIG. 2 is a side view of the coffee pot press handle shown in FIG. 1.  
 FIG. 3 is another side view of the coffee pot press handle shown in FIG. 1.  
 FIG. 4 is front view of the coffee pot press handle of FIG. 1.  
 FIG. 5 is a rear view of the coffee pot press handle of FIG. 1.  
 FIG. 6 is a top view of the coffee pot press handle of FIG. 1; and,  
 FIG. 7 is bottom view of the coffee pot press handle of FIG. 1.

The present application is directed to the design illustrated in the drawings. The broken lines shown are included for the purpose of illustrating the unclaimed portions of the article and form no part of the claimed design.

**1 Claim, 5 Drawing Sheets**

(56) **References Cited**

U.S. PATENT DOCUMENTS

|               |         |                 |       |         |
|---------------|---------|-----------------|-------|---------|
| 161,640 A     | 4/1875  | Smith           |       |         |
| 1,699,303 A   | 1/1929  | Mennicke et al. |       |         |
| 2,562,433 A   | 7/1951  | Moore           |       |         |
| 2,809,578 A   | 10/1957 | Campbell        |       |         |
| 2,826,980 A   | 3/1958  | Willman         |       |         |
| 3,841,528 A * | 10/1974 | Eisenberg       | ..... | 222/143 |
| 4,446,158 A   | 5/1984  | English et al.  |       |         |
| D372,627 S    | 8/1996  | Ireland         |       |         |
| 6,135,010 A   | 10/2000 | Husted et al.   |       |         |
| D441,248 S    | 5/2001  | Brady           |       |         |
| D449,957 S    | 11/2001 | Yeh             |       |         |
| 6,324,967 B1  | 12/2001 | Robinson        |       |         |
| 6,422,133 B1  | 7/2002  | Brady           |       |         |
| D481,254 S *  | 10/2003 | Lin             | ..... | D7/318  |



# US D681,392 S

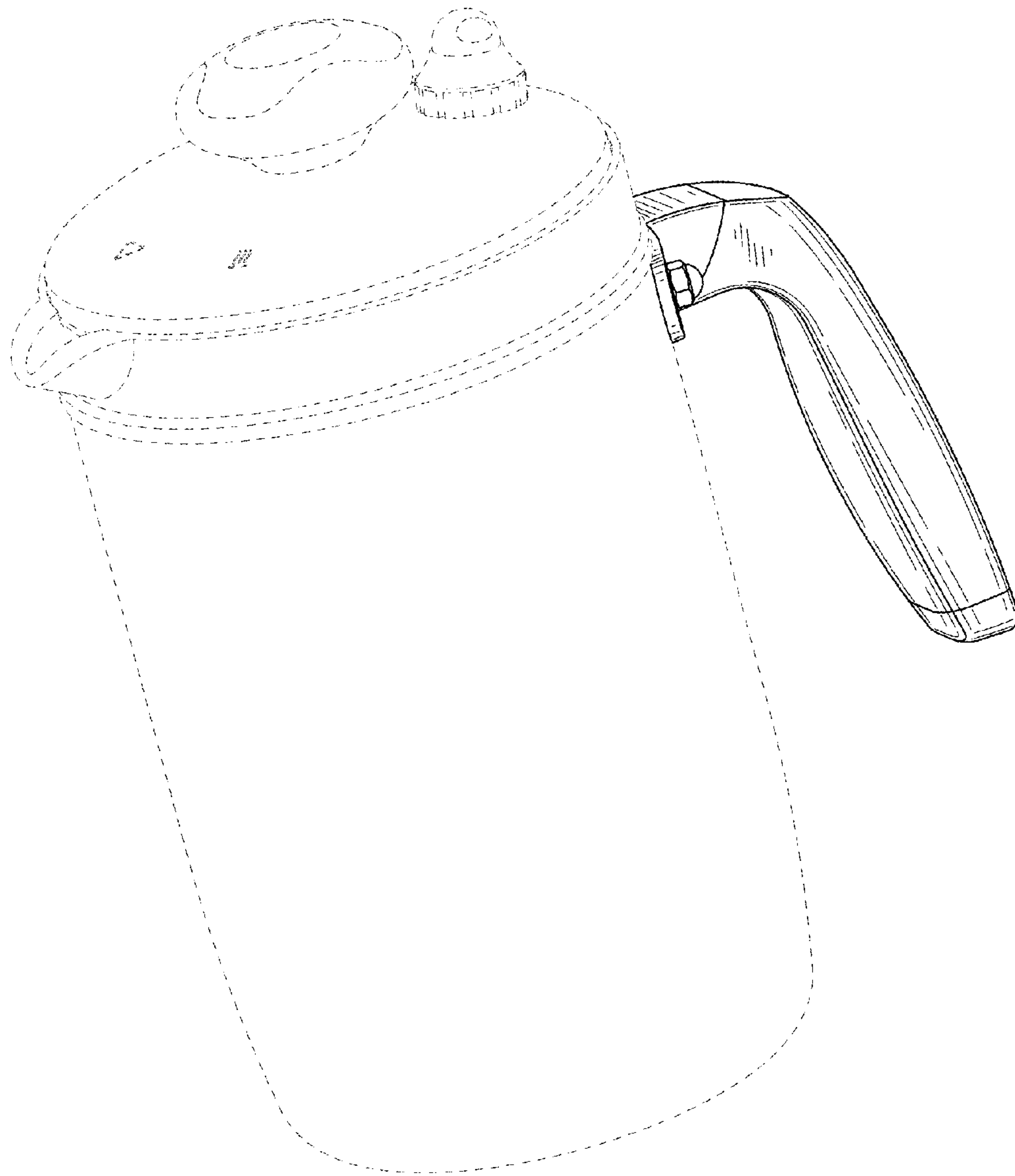
Page 2

---

## U.S. PATENT DOCUMENTS

|              |         |             |                 |         |                     |        |
|--------------|---------|-------------|-----------------|---------|---------------------|--------|
| D567,007 S   | 4/2008  | Bodum       | D623,011 S *    | 9/2010  | Gilbert et al. .... | D7/394 |
| D573,396 S   | 7/2008  | Gauss       | D628,426 S      | 12/2010 | Hoare et al.        |        |
| D587,059 S   | 2/2009  | Bodum       | D628,846 S      | 12/2010 | Bodum               |        |
| D594,267 S   | 6/2009  | Bodum       | D630,882 S      | 1/2011  | Cohen               |        |
| D602,730 S   | 10/2009 | Kino        | D644,866 S *    | 9/2011  | Munro .....         | D7/317 |
| D610,860 S   | 3/2010  | Bodum       | 2006/0236870 A1 | 10/2006 | Tardif              |        |
| D611,288 S   | 3/2010  | Bodum       | 2008/0274246 A1 | 11/2008 | Glucksman et al.    |        |
| D612,660 S   | 3/2010  | Bodum       | 2011/0056386 A1 | 3/2011  | Taketani            |        |
| 7,745,759 B2 | 6/2010  | Long et al. |                 |         |                     |        |

\* cited by examiner



**FIG. 1**

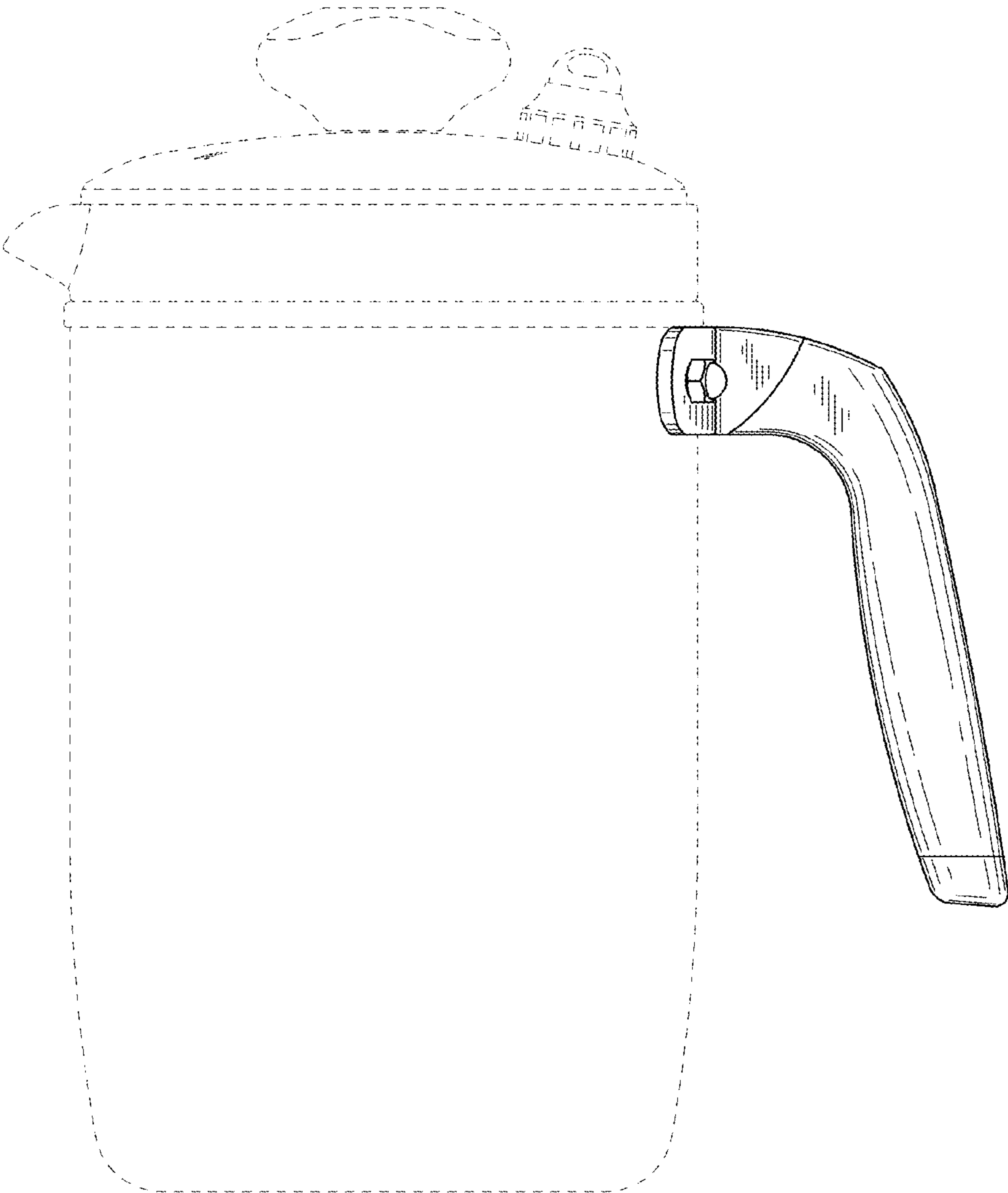


FIG. 2

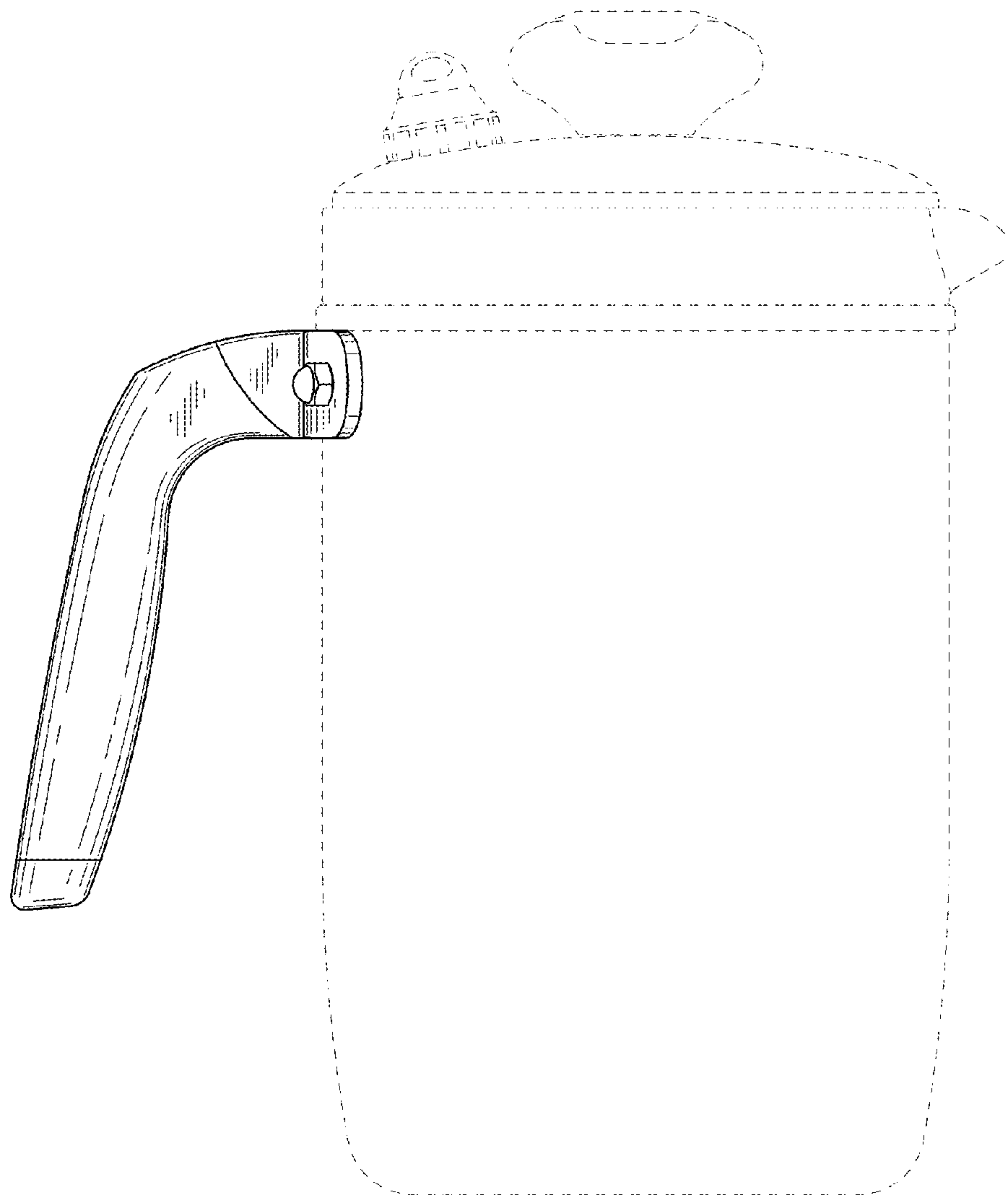


FIG. 3

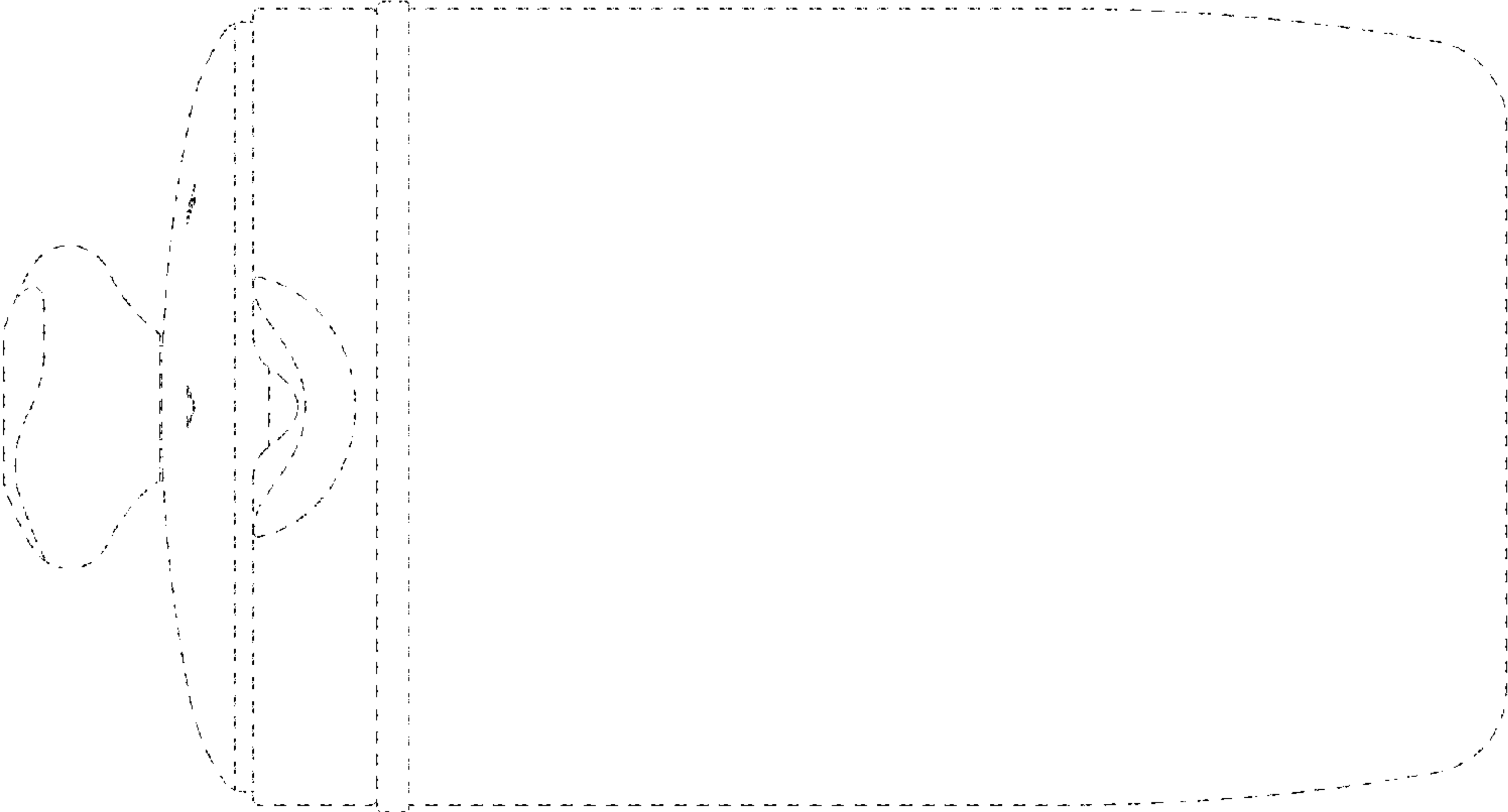


FIG. 4

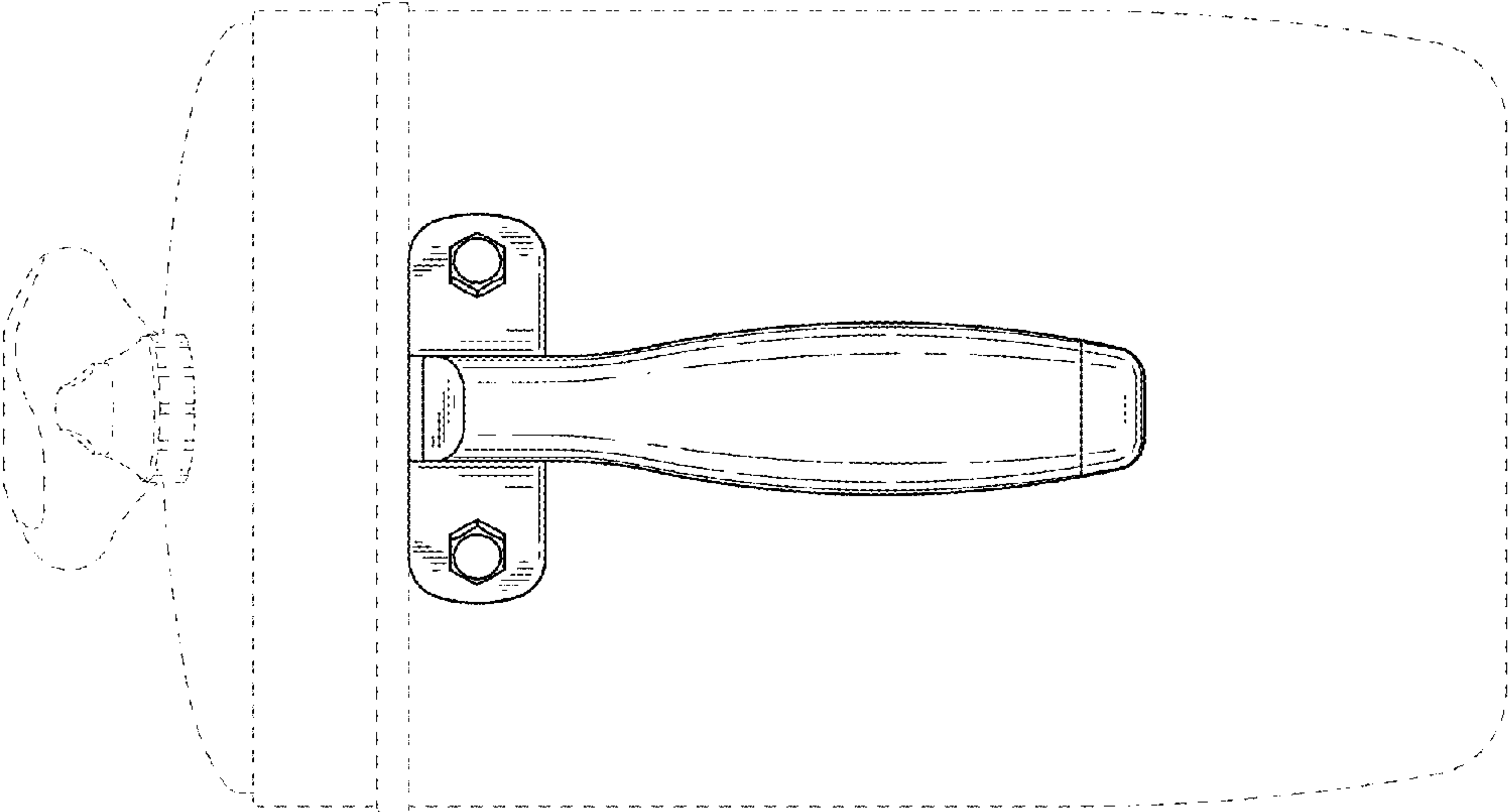
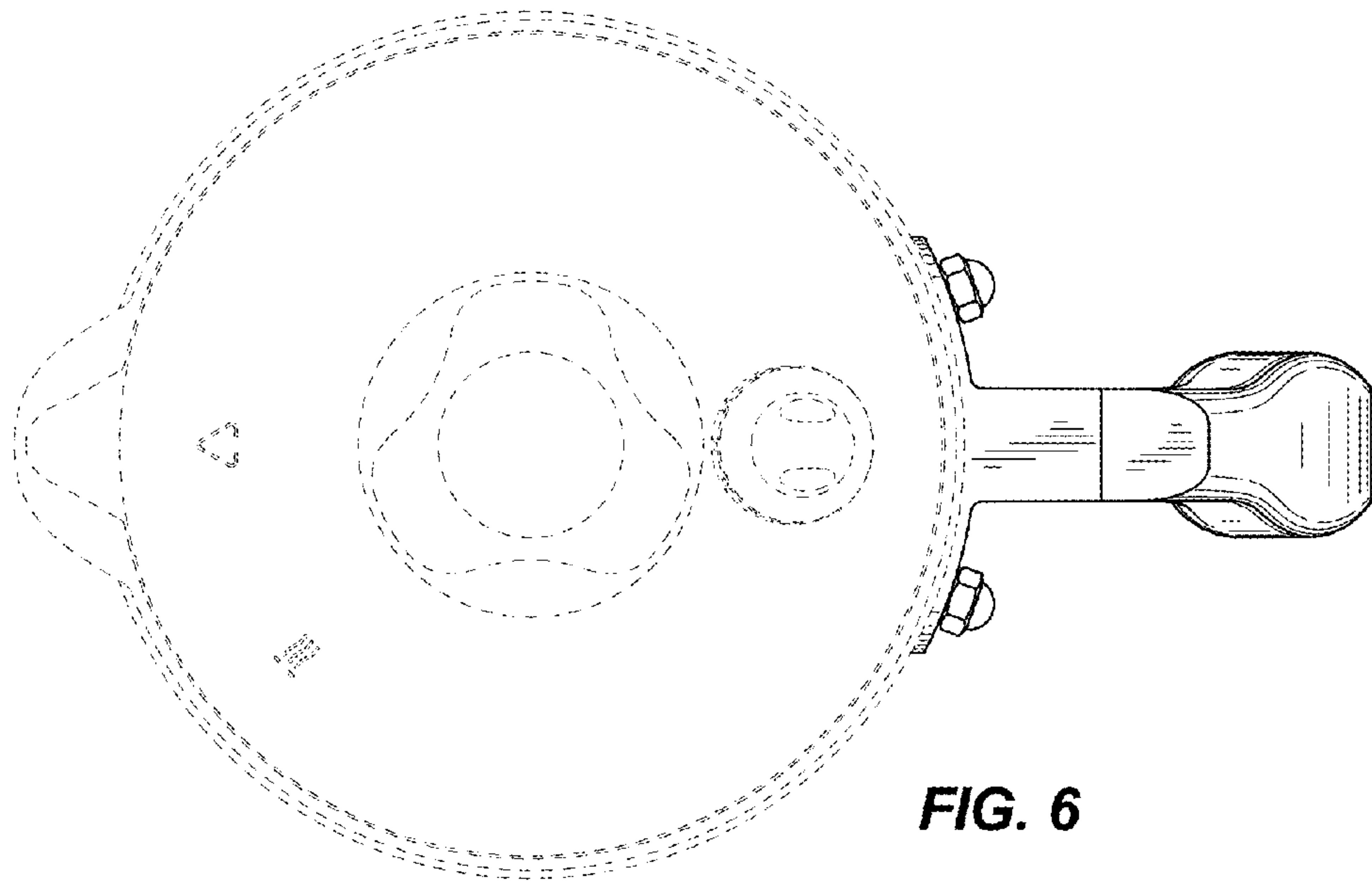
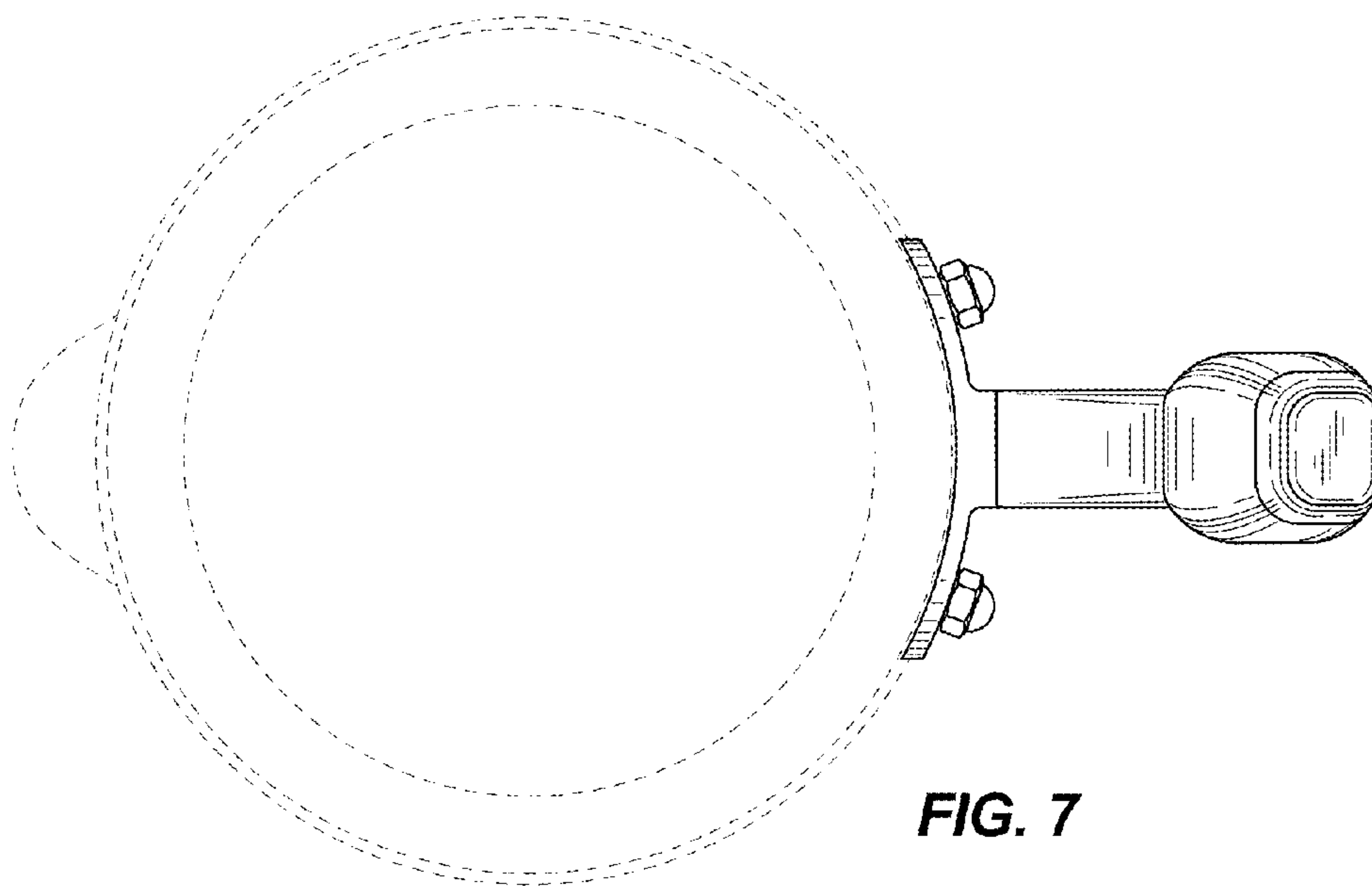


FIG. 5



**FIG. 6**



**FIG. 7**