



US00D681391S

(12) **United States Design Patent**
Agren

(10) **Patent No.:** **US D681,391 S**
(45) **Date of Patent:** **** May 7, 2013**

(54) **HAND MIXER**

(56)

References Cited

(75) Inventor: **Christian Agren**, Stockholm (SE)

(73) Assignee: **Aktiebolaget Electrolux**, Stockholm (SE)

(**) Term: **14 Years**

(21) Appl. No.: **29/431,372**

(22) Filed: **Sep. 6, 2012**

Related U.S. Application Data

(62) Division of application No. 29/405,153, filed on Oct. 28, 2011, now Pat. No. Des. 667,682.

(30) **Foreign Application Priority Data**

May 2, 2011 (EM) 001857756

(51) **LOC (9) Cl.** **31-00**

(52) **U.S. Cl.**

USPC **D7/380; D7/376; D7/378; D7/379**

(58) **Field of Classification Search** D7/301-313,
D7/316-319, 356-357, 368, 372-386, 391-398,
D7/412-415, 503, 515, 665, 679, 691-693,
D7/706; 99/275, 287, 326, 348, 492, 508-512;
241/30-37.5, 82.4, 101.01-101.2, 166-169.1,
241/172, 272, 285.1-285.3, 291, 292.1; 366/64-67,
366/97-100, 129-130, 142-144, 192-212,
366/241-254, 262, 279-292, 309-313, 325.8,
366/325.92, 331, 341-347; 416/75-77, 70 R,
416/163, 227 R

See application file for complete search history.

U.S. PATENT DOCUMENTS

3,117,769 A	1/1964	Spingler
D206,388 S	12/1966	Clemente
3,333,830 A	8/1967	Spingler et al.
D278,506 S	4/1985	Kafka
D308,001 S	5/1990	Ricard
D319,946 S	9/1991	Barrault
D327,603 S	7/1992	van Asten
D345,075 S	3/1994	Saltet
D348,587 S	7/1994	Saltet
D358,293 S	5/1995	Sebastia
D361,241 S	8/1995	Littmann
D371,044 S	6/1996	Bourassa
D383,938 S	9/1997	Littmann
D392,504 S	3/1998	Lallemand
D394,367 S	5/1998	Littmann

(Continued)

FOREIGN PATENT DOCUMENTS

CA	23613	10/1960
CA	23822	1/1961

(Continued)

Primary Examiner — Ricky Pham

(74) *Attorney, Agent, or Firm* — Banner & Witcoff, Ltd.

(57)

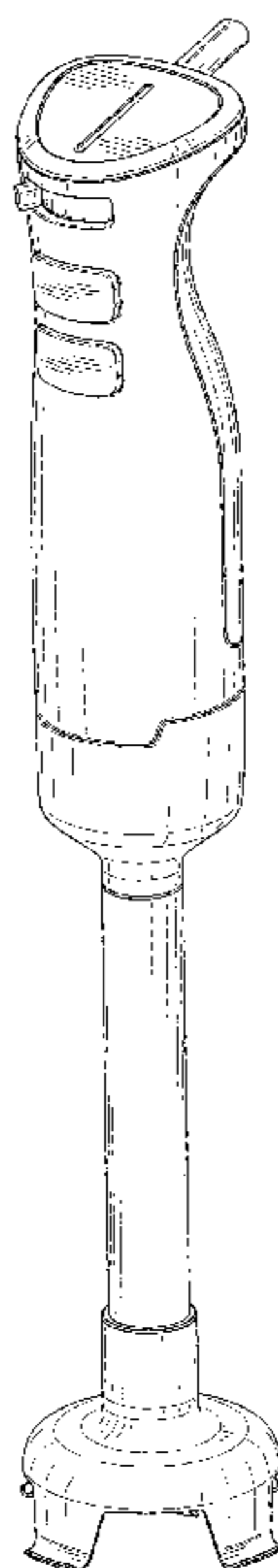
CLAIM

The ornamental design for a hand mixer, as shown and described.

DESCRIPTION

FIG. 1 is a perspective view of a hand mixer showing my new design;
FIG. 2 is a left side view thereof;
FIG. 3 is a front view thereof;
FIG. 4 is a right side view thereof;
FIG. 5 is a rear view thereof;
FIG. 6 is a top plan view thereof; and,
FIG. 7 is a bottom view thereof.

1 Claim, 7 Drawing Sheets



US D681,391 S

Page 2

U.S. PATENT DOCUMENTS

D396,775 S 8/1998 Arita et al.
D398,809 S 9/1998 Henderson
D400,756 S 11/1998 Henderson
D408,214 S 4/1999 Cousins
D421,872 S 3/2000 Wong
D426,105 S 6/2000 Littmann
D447,380 S 9/2001 Feil
D447,381 S 9/2001 Littmann
D452,111 S 12/2001 Lane
D456,206 S 4/2002 Feil
D485,729 S 1/2004 Patton et al.
D493,330 S 7/2004 Lane
D505,587 S 5/2005 Sowden et al.
D506,102 S 6/2005 Ikegaki
D510,837 S 10/2005 Lloyd et al.
D527,582 S 9/2006 Wilson
D533,022 S 12/2006 Piret
D534,032 S 12/2006 Lloyd
D536,570 S 2/2007 Lo
D572,075 S 7/2008 Wong
D589,742 S 4/2009 Ferraby
D592,447 S 5/2009 Blaise
D614,438 S 4/2010 Fukasawa
D623,009 S 9/2010 Bodum
D638,656 S 5/2011 Brinckerhoff et al.
D641,587 S 7/2011 Colburn et al.
D644,479 S 9/2011 Lownds et al.
D649,394 S 11/2011 Grabes et al.
D651,041 S 12/2011 Bachmann et al.
D651,846 S 1/2012 Roseby et al.

D654,303 S 2/2012 Nordwall
D660,641 S * 5/2012 Hoare et al. D7/380
D662,765 S * 7/2012 Grabes et al. D7/380
D663,157 S * 7/2012 Nordwall D7/380
D663,573 S * 7/2012 Nordwall D7/380
D667,682 S * 9/2012 Agren D7/380
D668,099 S * 10/2012 Ferraby D7/380
D668,911 S * 10/2012 Bachmann et al. D7/380
2005/0078549 A1* 4/2005 Hamelin 366/129
2008/0043569 A1* 2/2008 Moschetti 366/279
2009/0303830 A1* 12/2009 Wilson 366/129
2011/0235461 A1* 9/2011 Gursel 366/129

FOREIGN PATENT DOCUMENTS

CA 48401 7/1981
CA 69959 1/1992
CA 75277 12/1994
CA 117008 7/2006
CA 134226 2/2010
CN 200330104785 12/2003
CN 200630019217 5/2006
CN 200630019218 5/2006
CN 200630154489 10/2007
CN 200930291201 11/2009
CN 201030251905 7/2010
CN 201030511482 9/2010
CN 201030553414 10/2010
CN 201030553584 10/2010
CN 201030556398 10/2010
CN 201030558222 10/2010

* cited by examiner

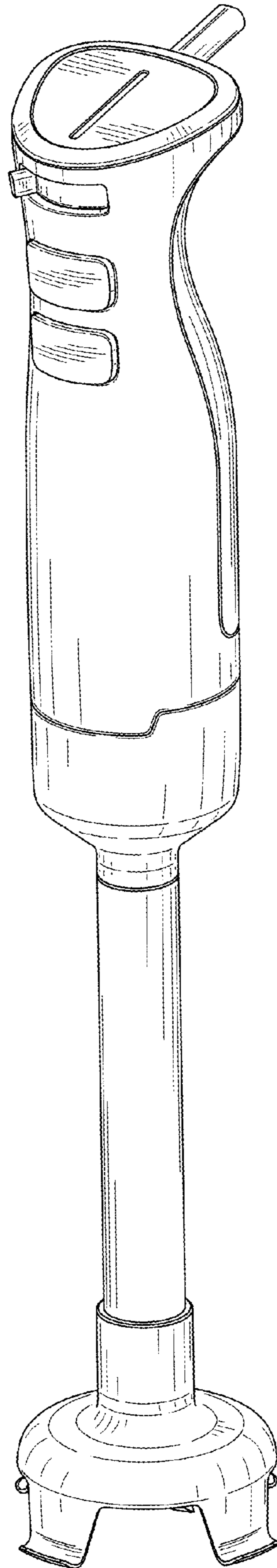


FIG. 1

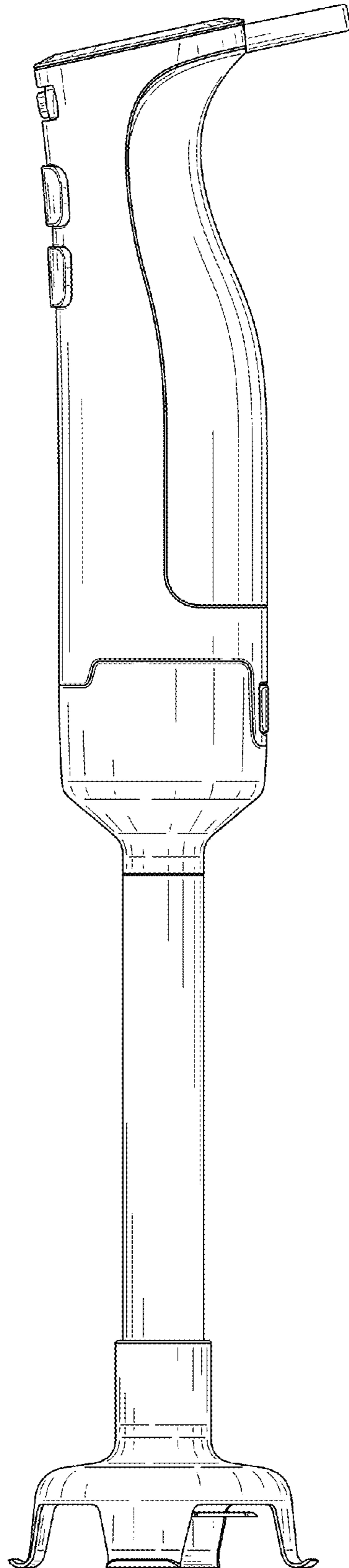


FIG. 2

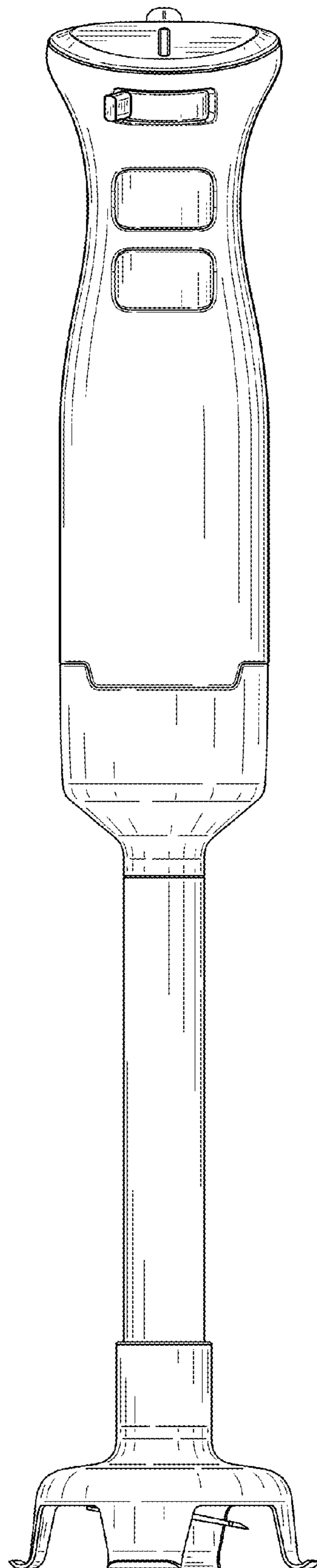


FIG. 3

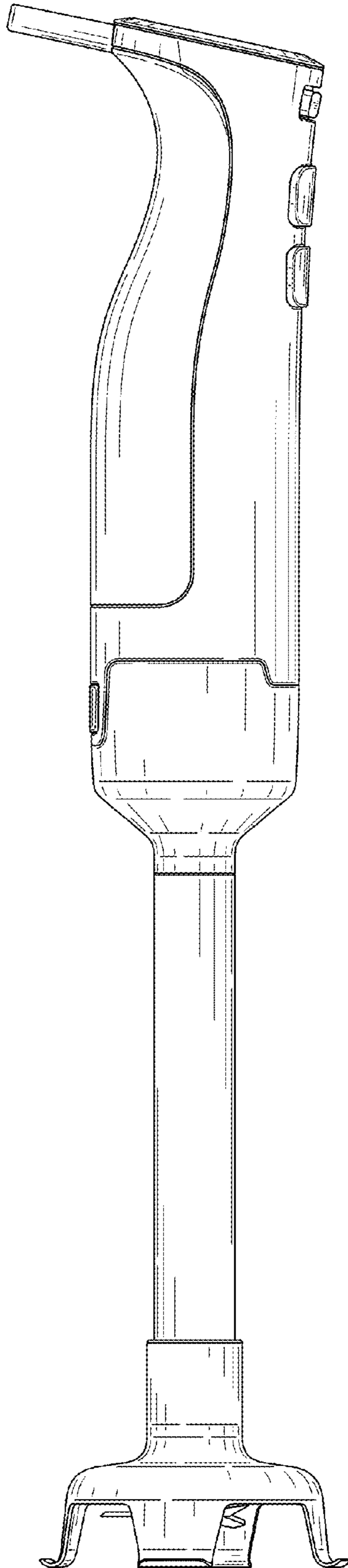


FIG. 4

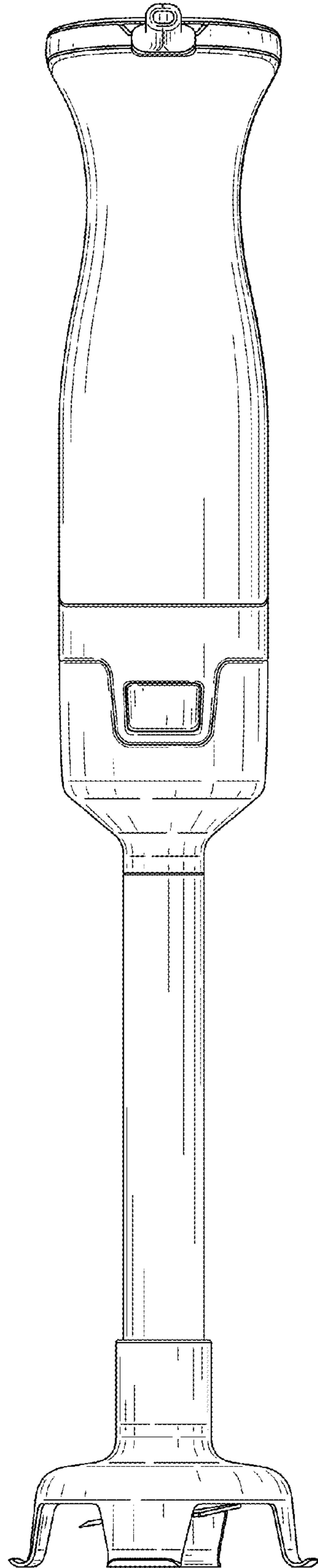


FIG. 5

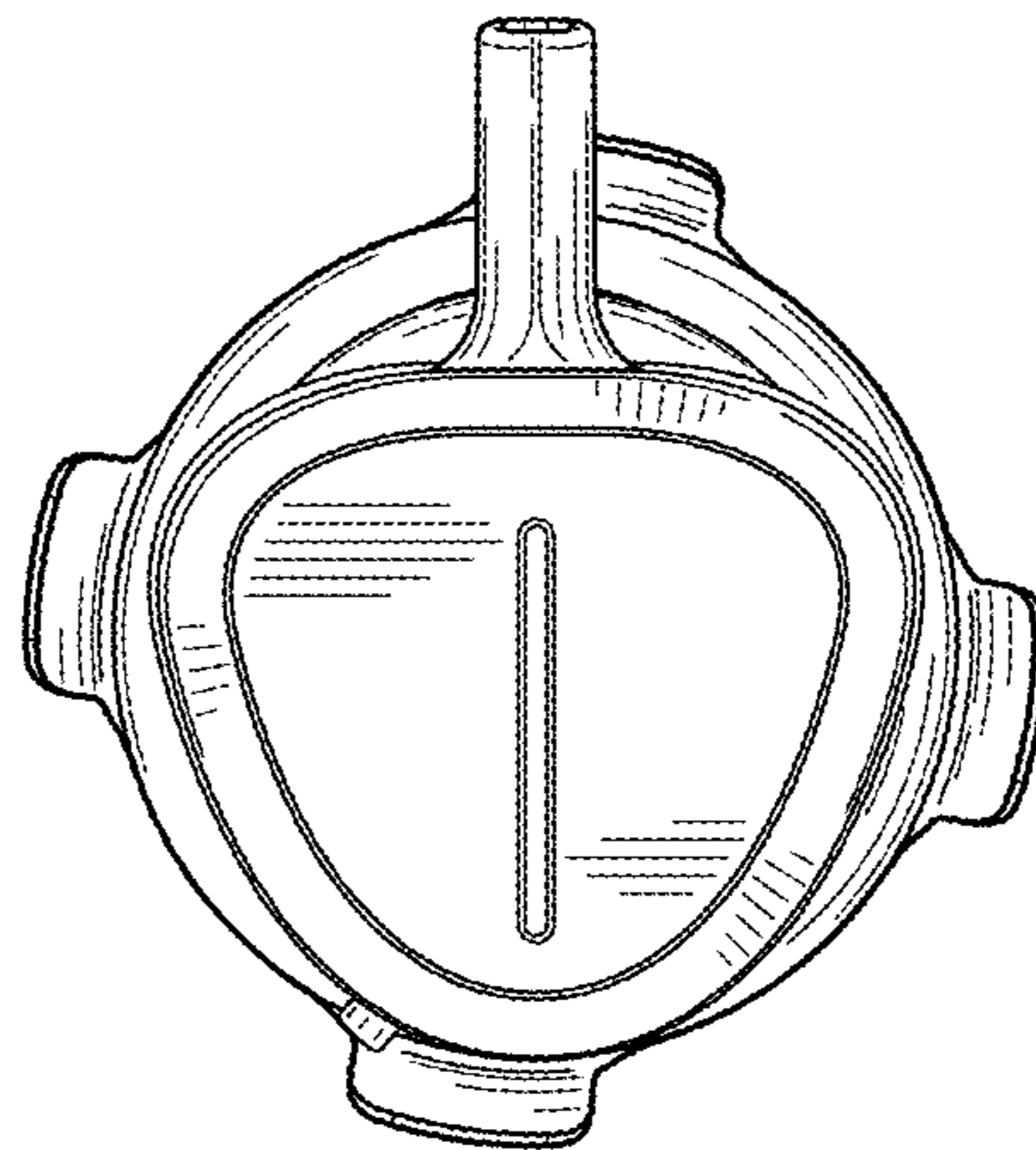


FIG. 6

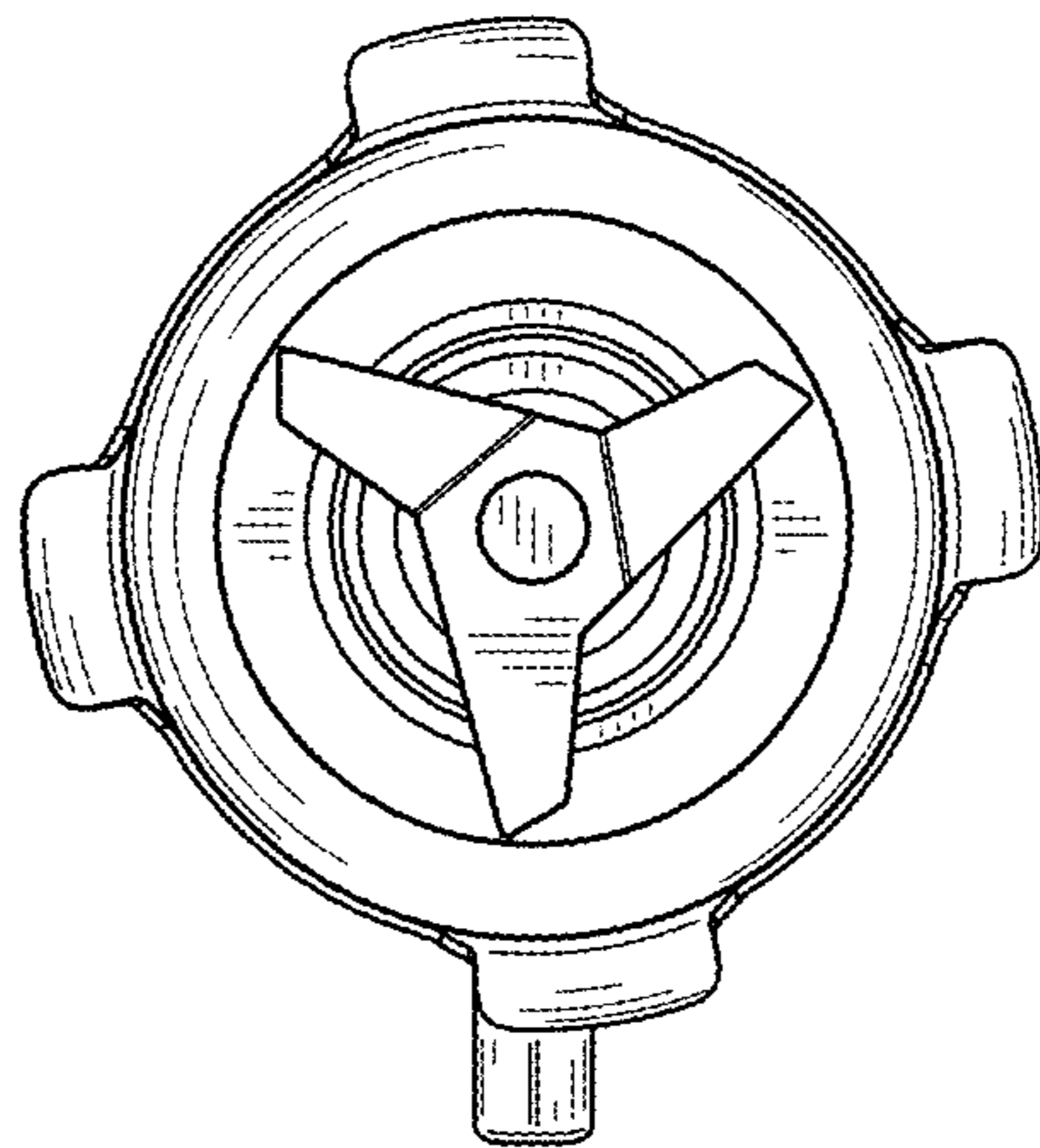


FIG. 7