



US00D681389S

(12) **United States Design Patent**
Goecke et al.

(10) **Patent No.:** **US D681,389 S**
(45) **Date of Patent:** **** May 7, 2013**

(54) **MODULAR GRILL**

(75) Inventors: **Bastian Goecke**, Hilblestr (DE);
Hisham Almannai, Karlsruhe (DE)

(73) Assignee: **Grillwerk GmbH & Co. KG**, Frankfurt (DE)

(**) Term: **14 Years**

(21) Appl. No.: **29/398,407**

(22) Filed: **Jul. 29, 2011**

(30) **Foreign Application Priority Data**

Feb. 1, 2011 (WO) DM/075 222

(51) **LOC (9) Cl.** **07-02**

(52) **U.S. Cl.**
USPC **D7/334**

(58) **Field of Classification Search** D7/332,
D7/334-337, 402-407, 409; 126/25 R, 25 A,
126/25 AA, 29-30, 9 R, 37-38, 41 R, 40-50,
126/332, 39 M, 214 R, 307 R, 334 R, 276,
126/268; 99/481, 482; D6/511; 219/461.1;
312/100, 236

See application file for complete search history.

(56) **References Cited**

U.S. PATENT DOCUMENTS

D223,065 S * 3/1972 Turner D7/334
D295,136 S * 4/1988 Cox, Jr. D7/334

6,039,039 A * 3/2000 Pina, Jr. 126/25 R
D430,772 S * 9/2000 Ganard D7/334
D456,202 S * 4/2002 McNair et al. D7/332
D472,757 S * 4/2003 Schulte et al. D7/334
6,640,800 B1 * 11/2003 Hodgson et al. 126/41 R
D491,410 S * 6/2004 Saunders D7/334
D562,619 S * 2/2008 Henley et al. D7/334
D562,628 S * 2/2008 Henley et al. D7/402
D636,217 S * 4/2011 Slater et al. D7/334

* cited by examiner

Primary Examiner — Ruth McInroy

(74) *Attorney, Agent, or Firm* — Hogan Lovells US LLP

(57) **CLAIM**

We claim the ornamental design for a modular grill, as shown and described.

DESCRIPTION

FIG. 1 is a front perspective view of a modular grill showing our new design;

FIG. 2 is a front plan view thereof;

FIG. 3 is a rear plan view thereof;

FIG. 4 is a left side plan view thereof;

FIG. 5 is a right side plan view thereof;

FIG. 6 is a top plan view thereof; and,

FIG. 7 is a bottom plan view thereof.

The details shown in broken lines are for illustrative purposes only and form no part of the claimed design.

1 Claim, 6 Drawing Sheets

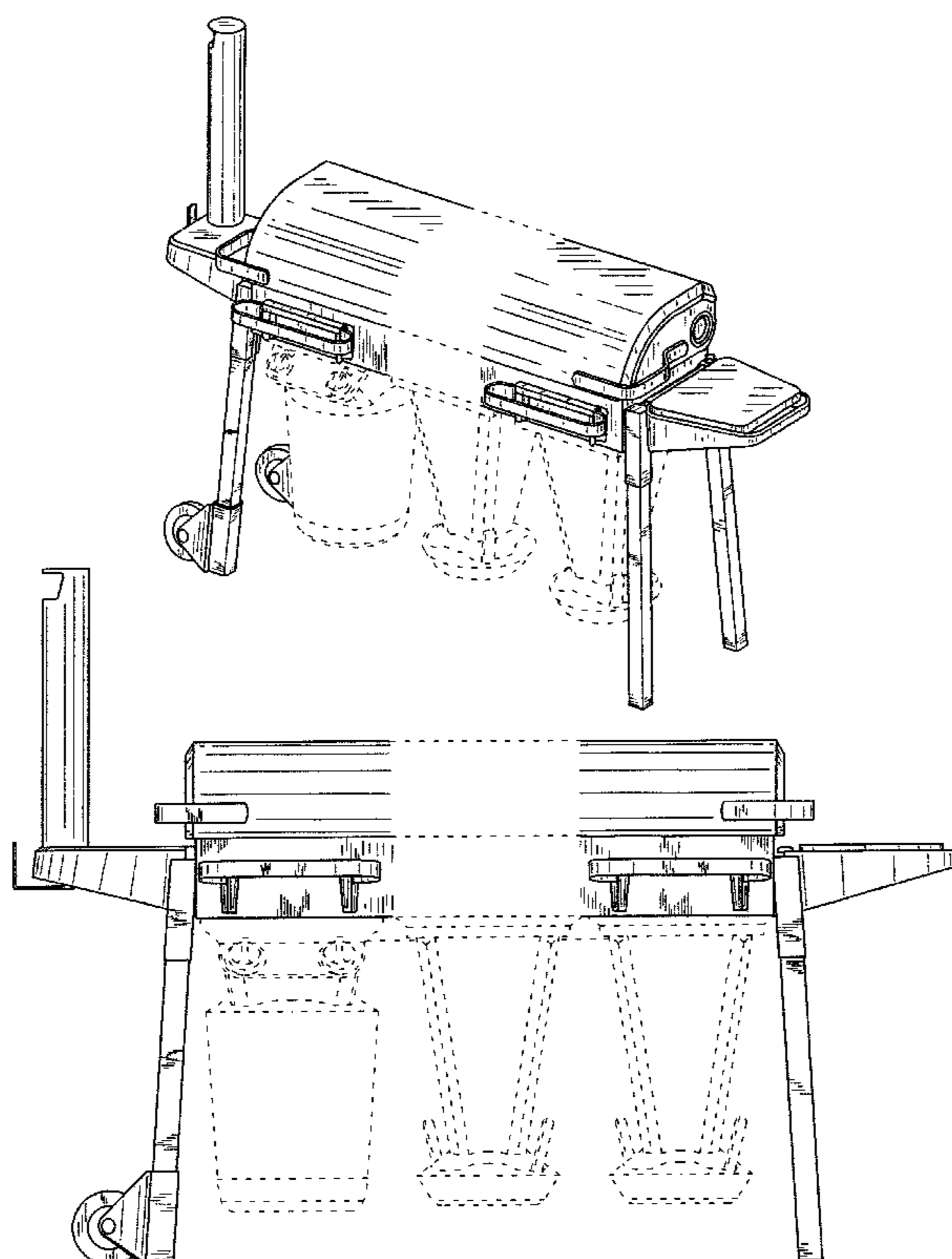
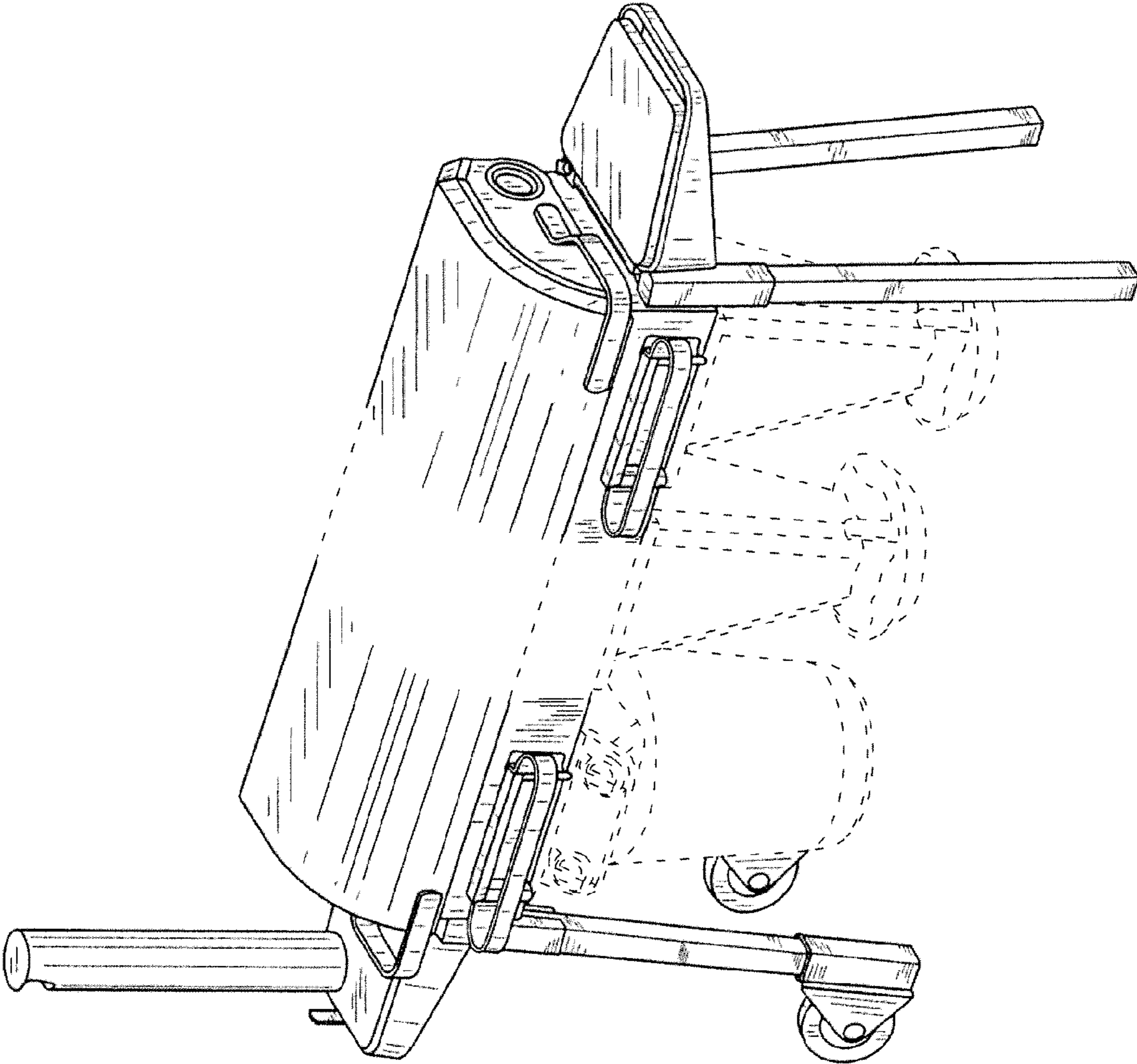


FIG. 1



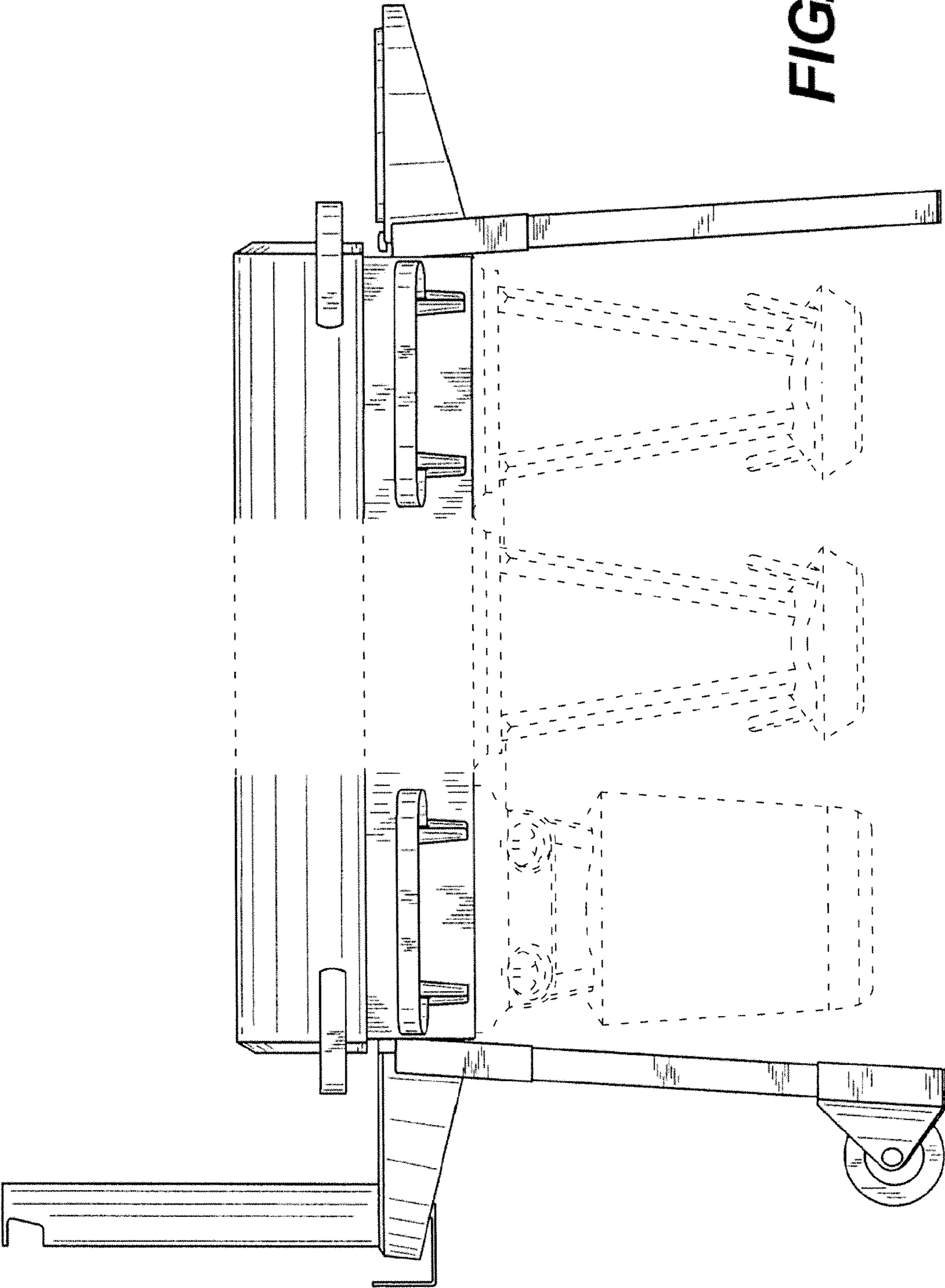
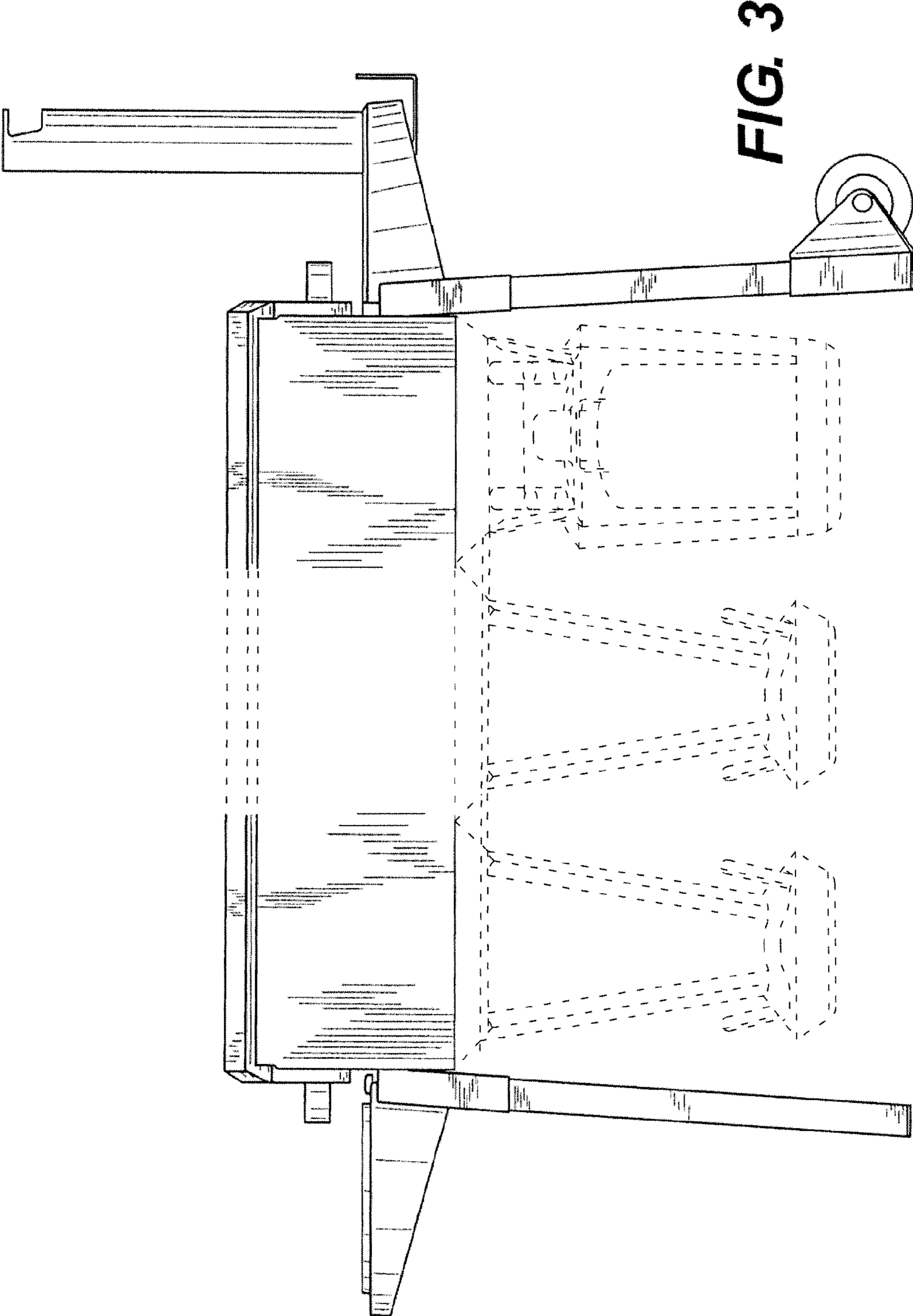


FIG. 2



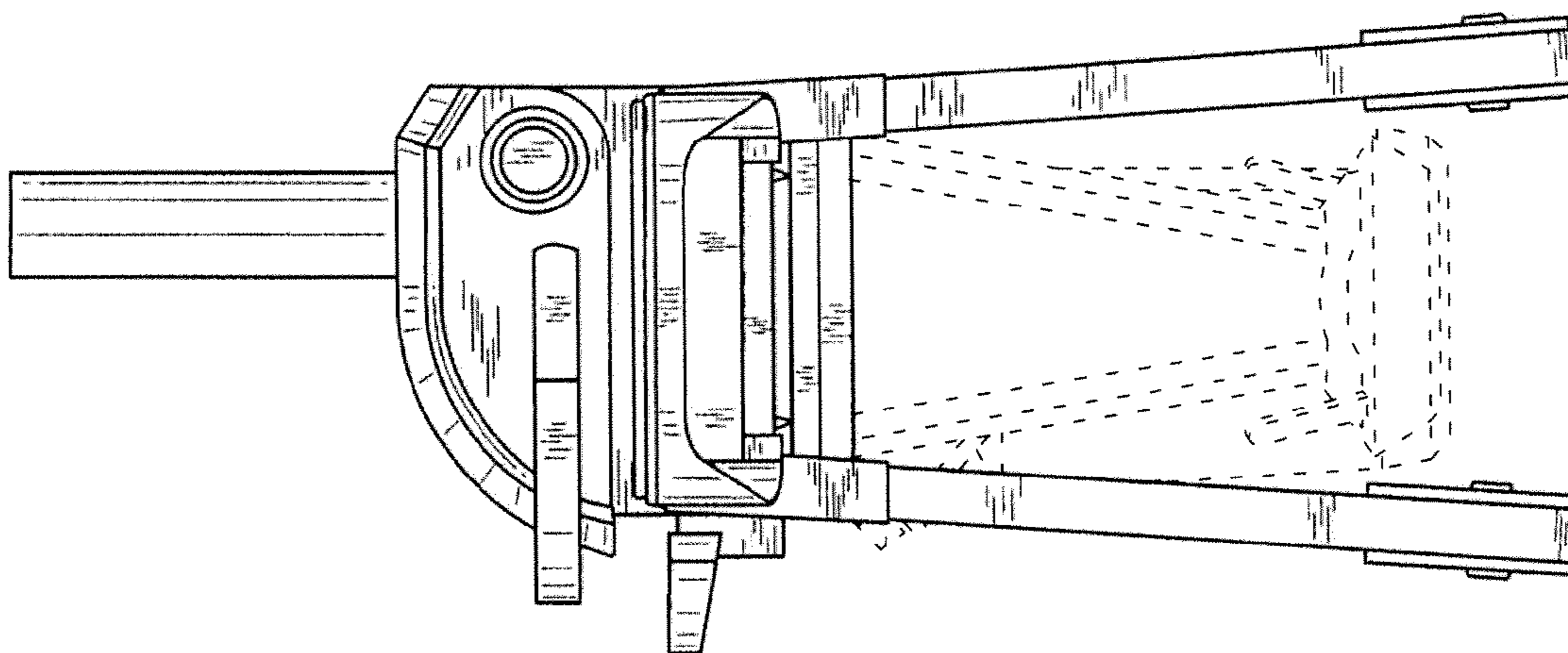


FIG. 5

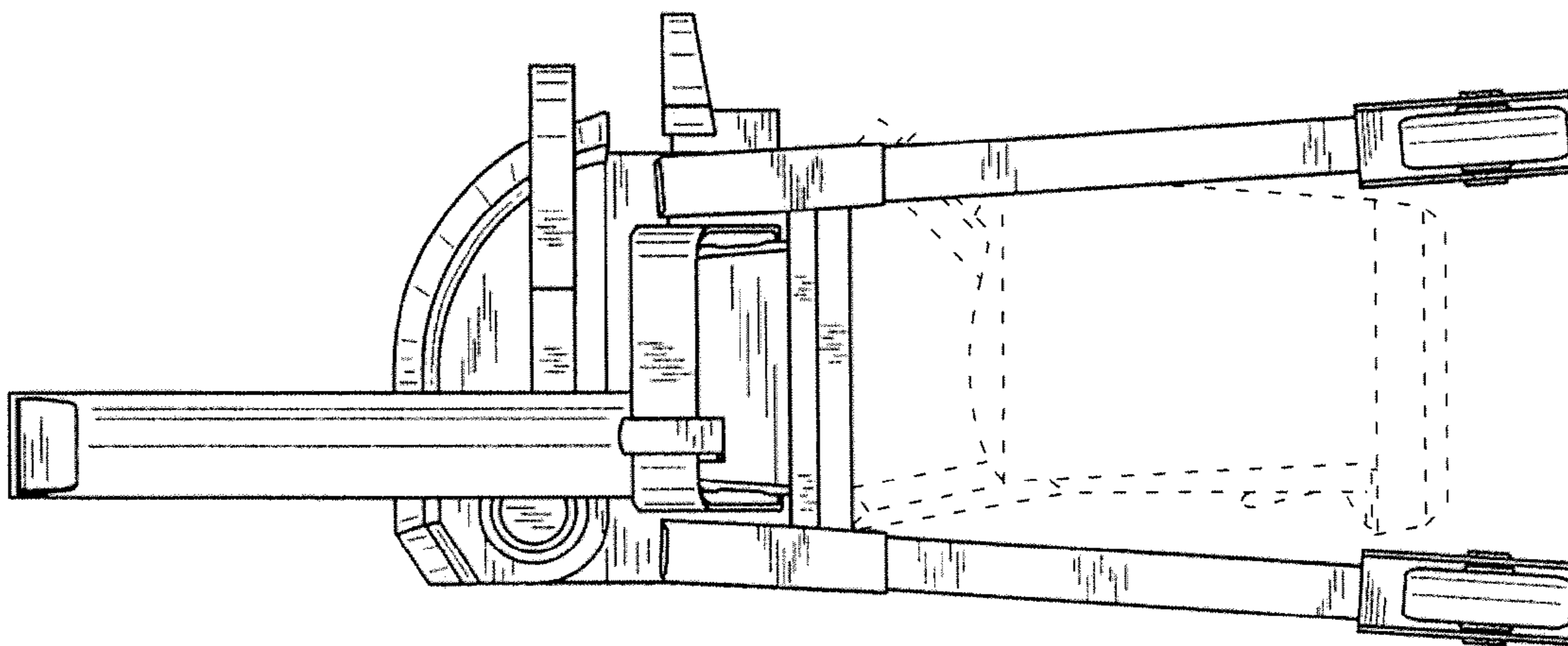


FIG. 4

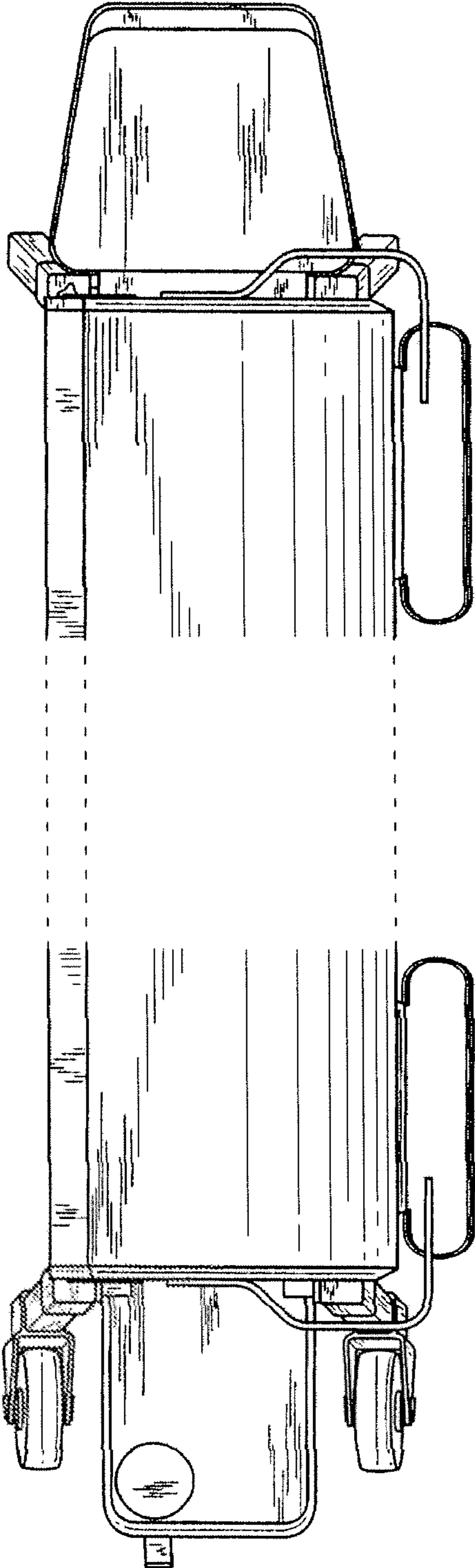


FIG. 6

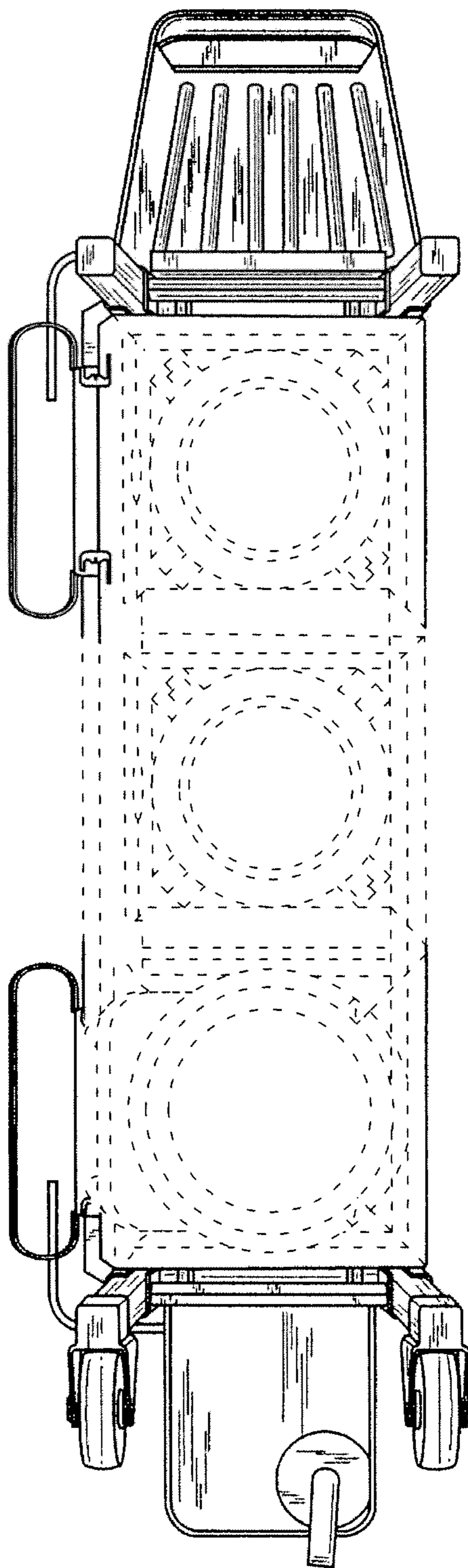


FIG. 7