



US00D681388S

(12) **United States Design Patent**
Bodum

(10) **Patent No.:** **US D681,388 S**

(45) **Date of Patent:** **** May 7, 2013**

(54) **COFFEE MAKER**

(75) Inventor: **Jorgen Bodum**, Meggen (CH)

(73) Assignee: **PI-Design AG**, Triengen (CH)

(**) Term: **14 Years**

(21) Appl. No.: **29/408,509**

(22) Filed: **Dec. 13, 2011**

(30) **Foreign Application Priority Data**

Jul. 25, 2011 (WO) DM 076 435

(51) **LOC (9) Cl.** **07-01**

(52) **U.S. Cl.**
USPC **D7/319; D7/317**

(58) **Field of Classification Search** D7/317-319,
D7/598, 600, 312, 322, 321, 320; 99/299,
99/306, 297; 222/572

See application file for complete search history.

(56) **References Cited**

U.S. PATENT DOCUMENTS

D343,333 S *	1/1994	Jorgensen	D7/317
D383,639 S *	9/1997	Jorgensen	D7/319
D384,539 S *	10/1997	Joergensen	D7/318
D384,540 S *	10/1997	Joergensen	D7/319
D405,642 S *	2/1999	Toriba	D7/319
D434,760 S *	12/2000	Wang	D14/337
D448,235 S *	9/2001	Jørgensen	D7/319

D458,505 S *	6/2002	Bodum	D7/319
D513,919 S *	1/2006	Bodum	D7/319
D559,028 S *	1/2008	Appleton	D7/317
D567,006 S *	4/2008	Bodum	D7/319
D594,267 S *	6/2009	Bodum	D7/319
D645,290 S *	9/2011	Bodum	D7/319
D654,756 S *	2/2012	Bodum	D7/319
D663,155 S *	7/2012	Bodum	D7/319

OTHER PUBLICATIONS

Starbuck's, Deco Coffee Press, www.foodchic.blogspot.com/2009/02/coffee-or-tea.html.

Wave cafetiere, www.lacafetiere.com/coffee/cafetieres/wave-cafetiere.html.

* cited by examiner

Primary Examiner — Marianne Pandozzi

(74) *Attorney, Agent, or Firm* — Sughrue Mion, PLLC

(57) **CLAIM**

The ornamental design for a coffee maker, as shown and described.

DESCRIPTION

FIG. 1 is a perspective view of an coffee maker showing my new design;

FIG. 2 is a right side view thereof;

FIG. 3 is a left side view thereof;

FIG. 4 is a front side view thereof;

FIG. 5 is a back side view thereof;

FIG. 6 is a top view thereof;

FIG. 7 is a bottom view thereof; and,

FIG. 8 is an exploded perspective view thereof.

1 Claim, 8 Drawing Sheets



FIG. 1

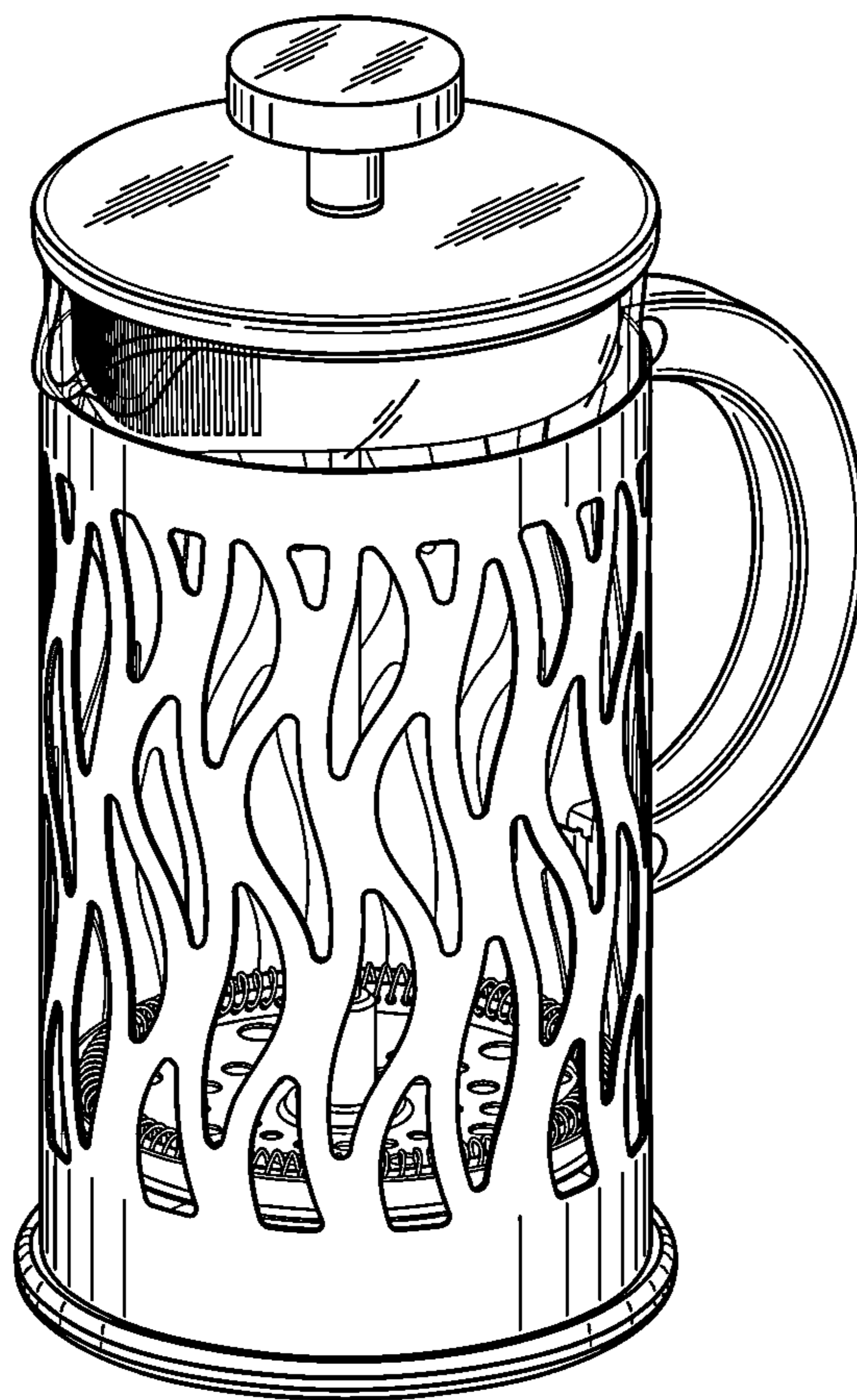


FIG. 2

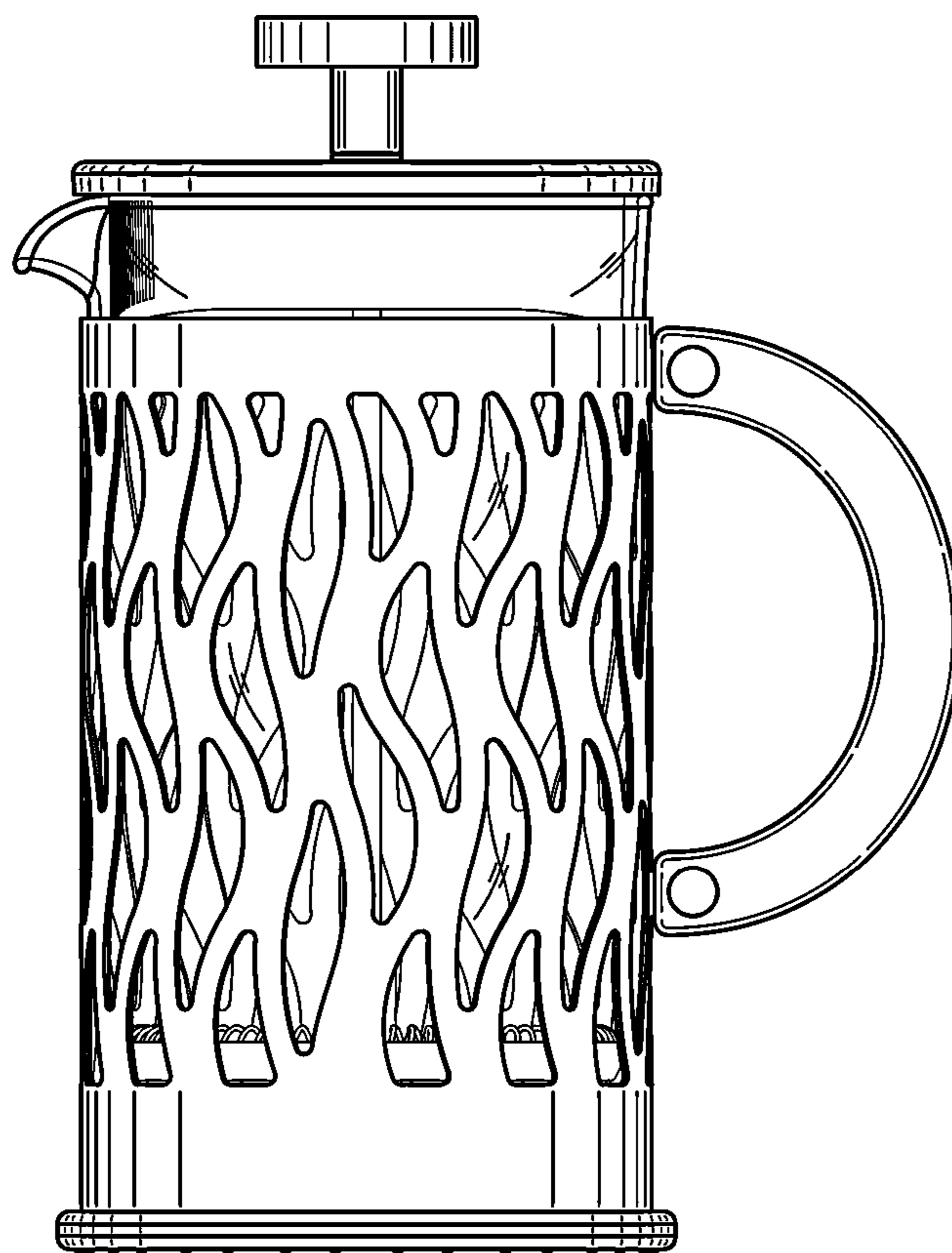


FIG. 3

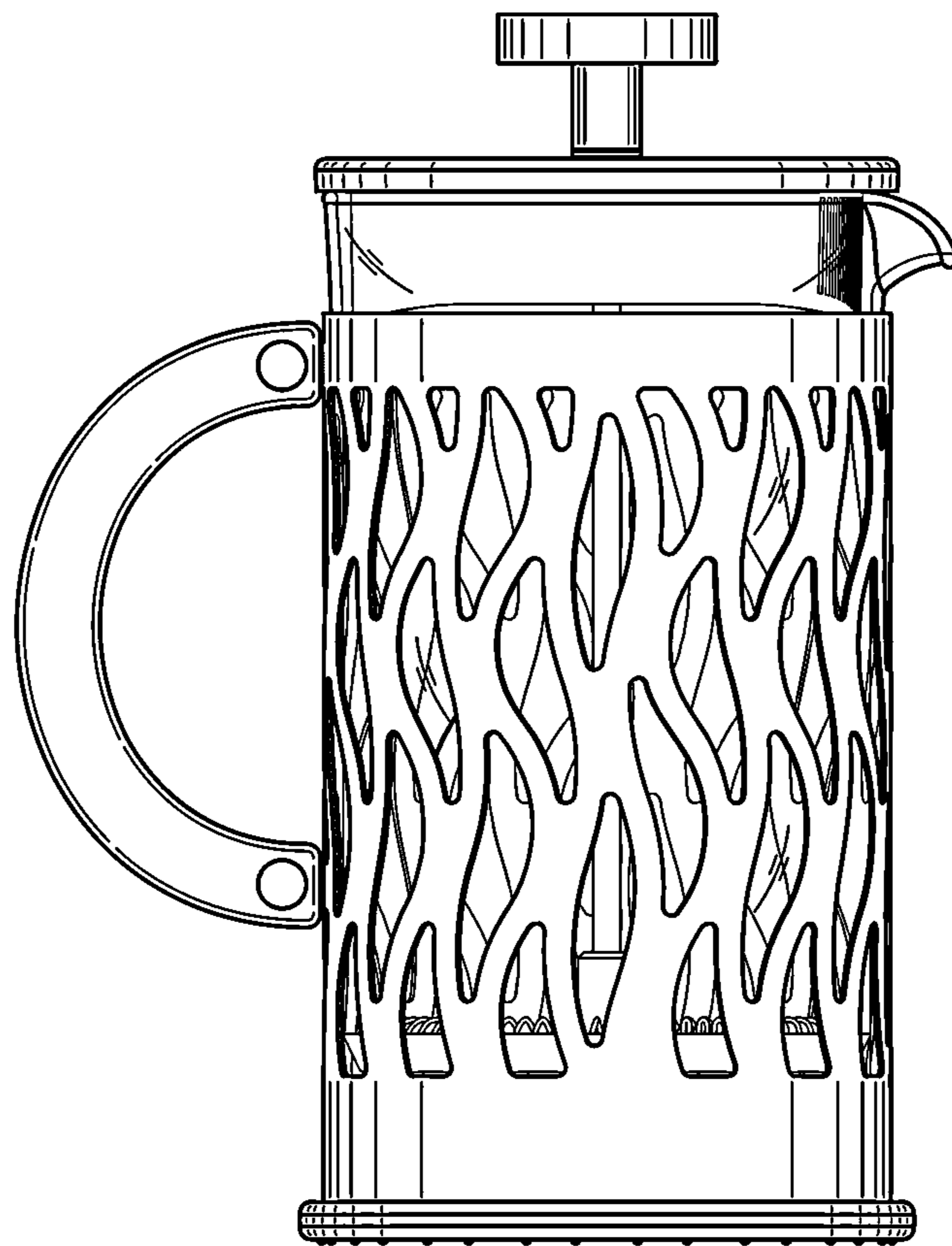


FIG. 4

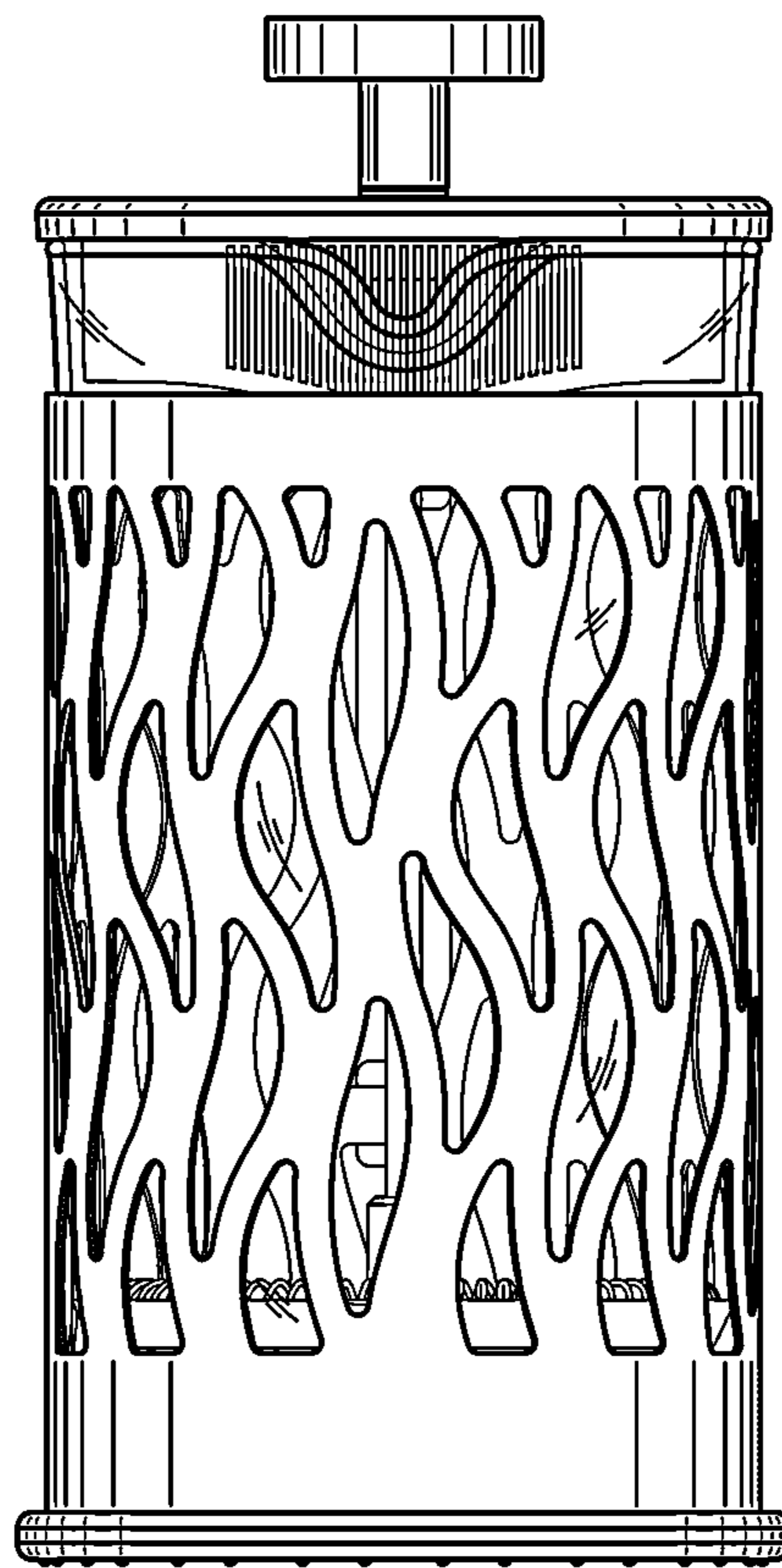


FIG. 5

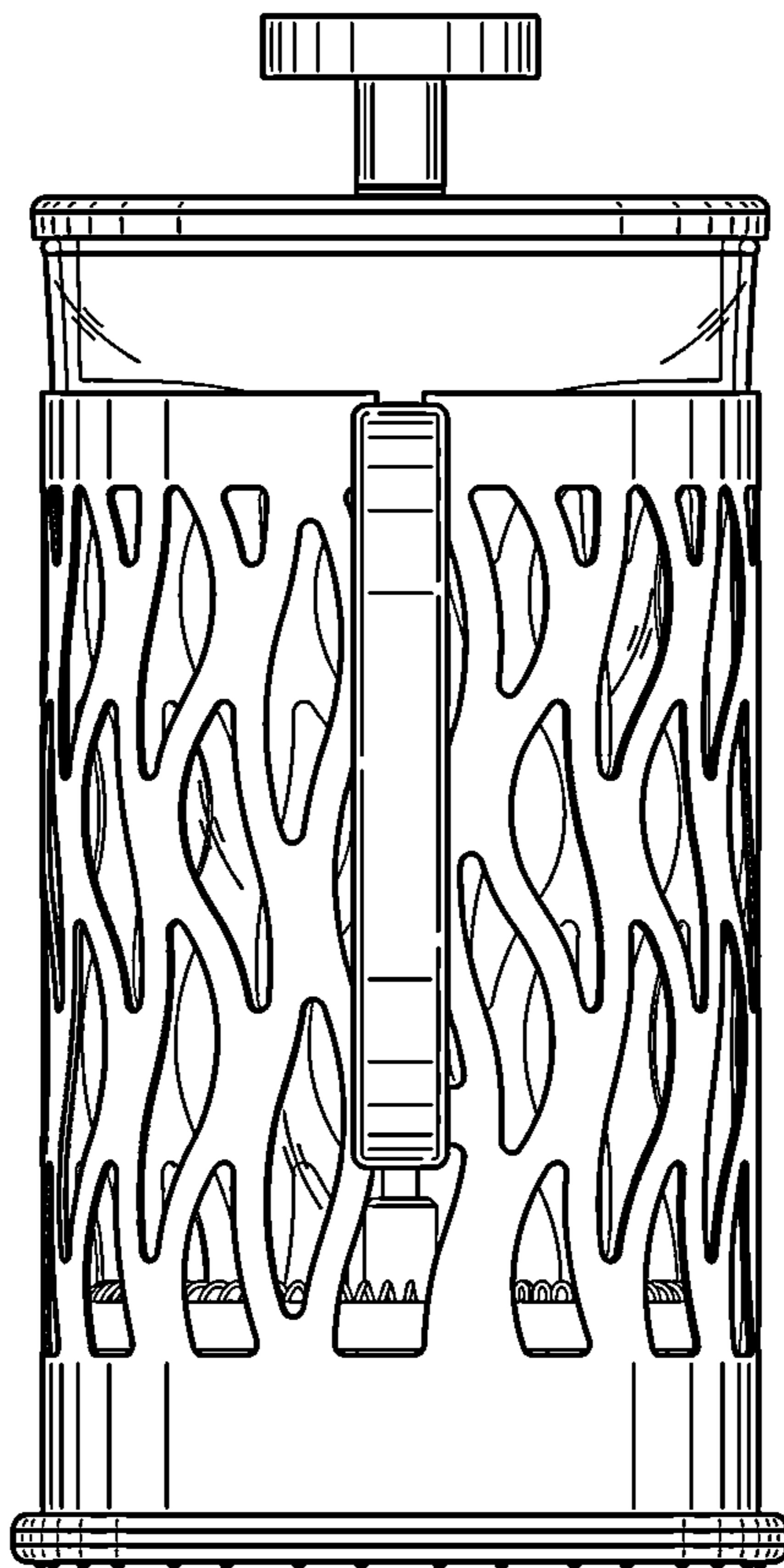


FIG. 6

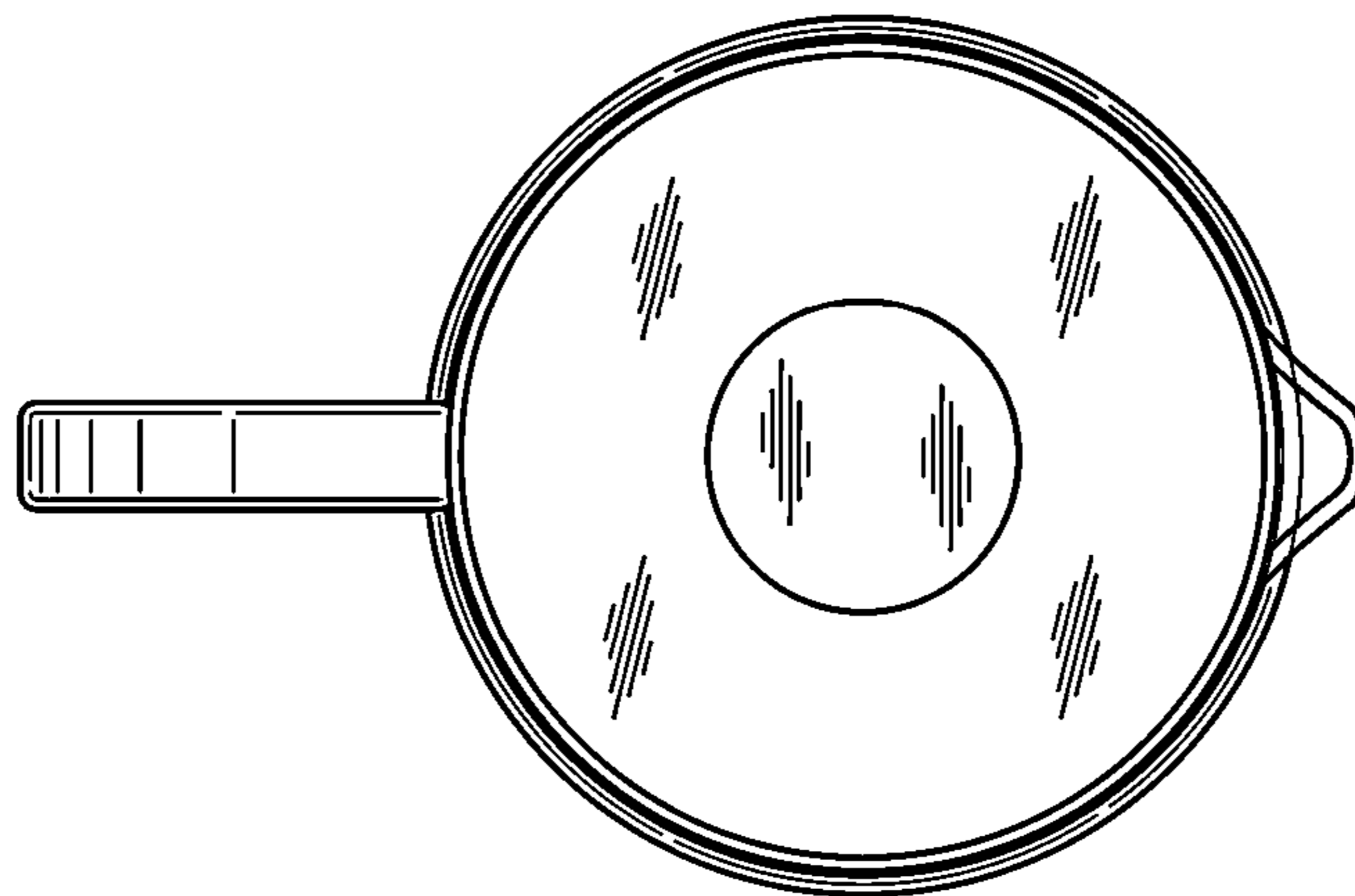


FIG. 7

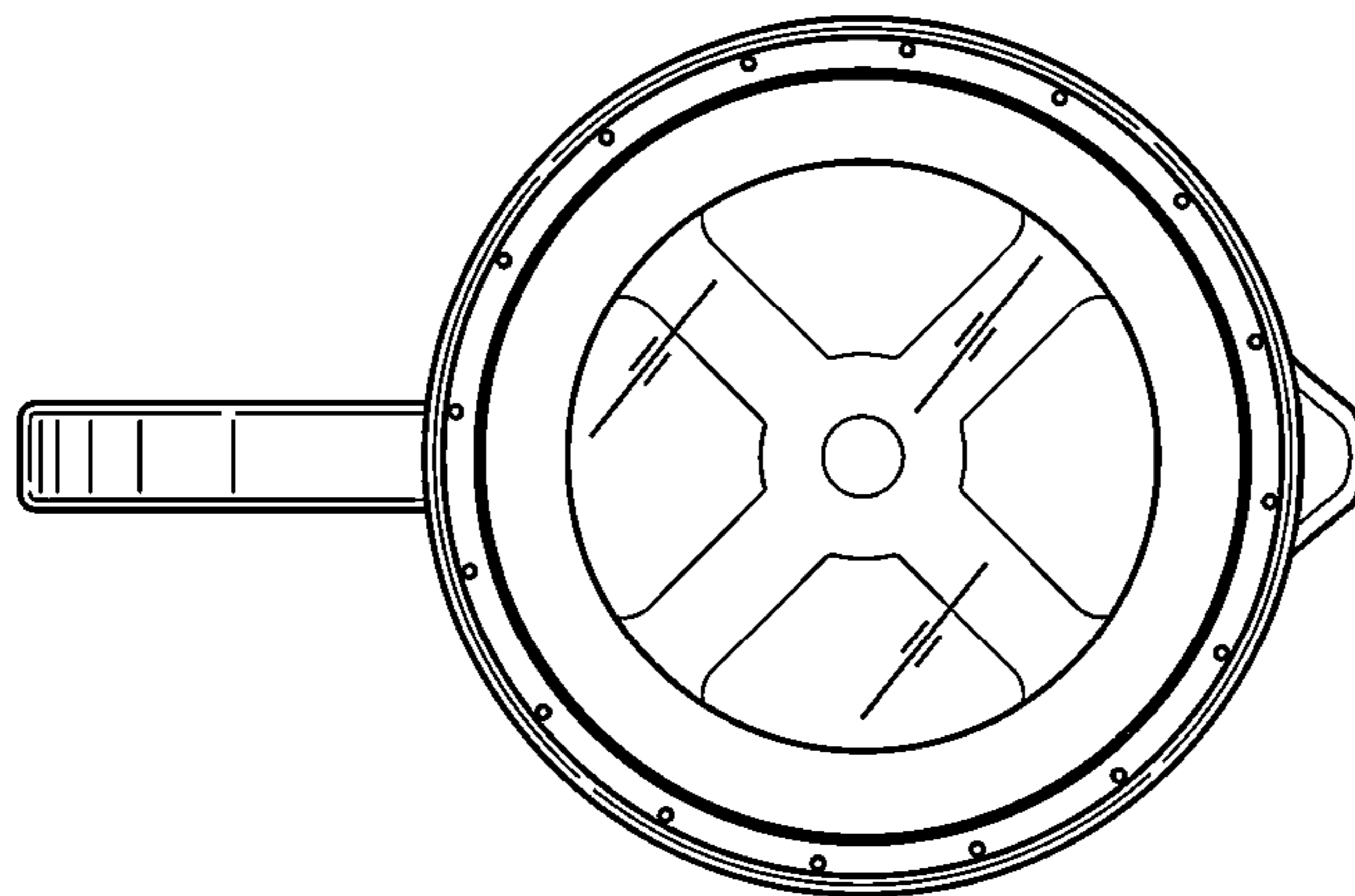


FIG. 8

