



US00D681387S

(12) **United States Design Patent**  
**Pininfarina**

(10) **Patent No.:** **US D681,387 S**

(45) **Date of Patent:** **\*\* May 7, 2013**

(54) **MACHINE FOR PREPARING BEVERAGES**

D666,050 S \* 8/2012 Cionfoli ..... D7/309  
8,250,972 B2 \* 8/2012 Santoiemmo ..... 99/323.2  
D666,864 S \* 9/2012 Dahlstrom ..... D7/309

(75) Inventor: **Paolo Pininfarina**, Cambiano (IT)

(73) Assignee: **Luigi Lavazza S.p.A.**, Turin (IT)

(\*\*) Term: **14 Years**

(21) Appl. No.: **29/410,504**

(22) Filed: **Jan. 9, 2012**

(51) **LOC (9) Cl.** ..... **07-01**

(52) **U.S. Cl.**  
USPC ..... **D7/306; D7/309; D7/311**

(58) **Field of Classification Search** ..... D7/306-311,  
D7/300; 99/295, 300, 275  
See application file for complete search history.

(56) **References Cited**

**U.S. PATENT DOCUMENTS**

D558,505	S *	1/2008	Padain et al. ....	D7/306
D570,149	S *	6/2008	Truong .....	D7/309
D571,598	S *	6/2008	Moore .....	D7/306
D581,716	S *	12/2008	Harris, III .....	D7/307
D597,366	S *	8/2009	Drake et al. ....	D7/306
D618,950	S *	7/2010	Jaffe et al. ....	D7/306
D623,000	S *	9/2010	MuraYOU et al. ....	D7/309
D625,134	S *	10/2010	Moore et al. ....	D7/309
D637,859	S *	5/2011	Orkney et al. ....	D7/306
7,987,769	B2 *	8/2011	Oranski et al. ....	99/295
D649,826	S *	12/2011	Garman .....	D7/306
8,109,200	B2 *	2/2012	Hansen .....	99/295
D662,756	S *	7/2012	Steiner et al. ....	D7/309

**FOREIGN PATENT DOCUMENTS**

JP	D1125970	11/2001
KR	30-0391402	9/2005
KR	30-0608972	8/2011
TW	D115647	3/2007
TW	D138282	12/2010

**OTHER PUBLICATIONS**

Taiwan Search Report issued Jun. 8, 2012 in connection with Taiwan Design App. No. 100306977.

\* cited by examiner

*Primary Examiner* — Marianne Pandozzi

(74) *Attorney, Agent, or Firm* — Nixon & Vanderhye P.C.

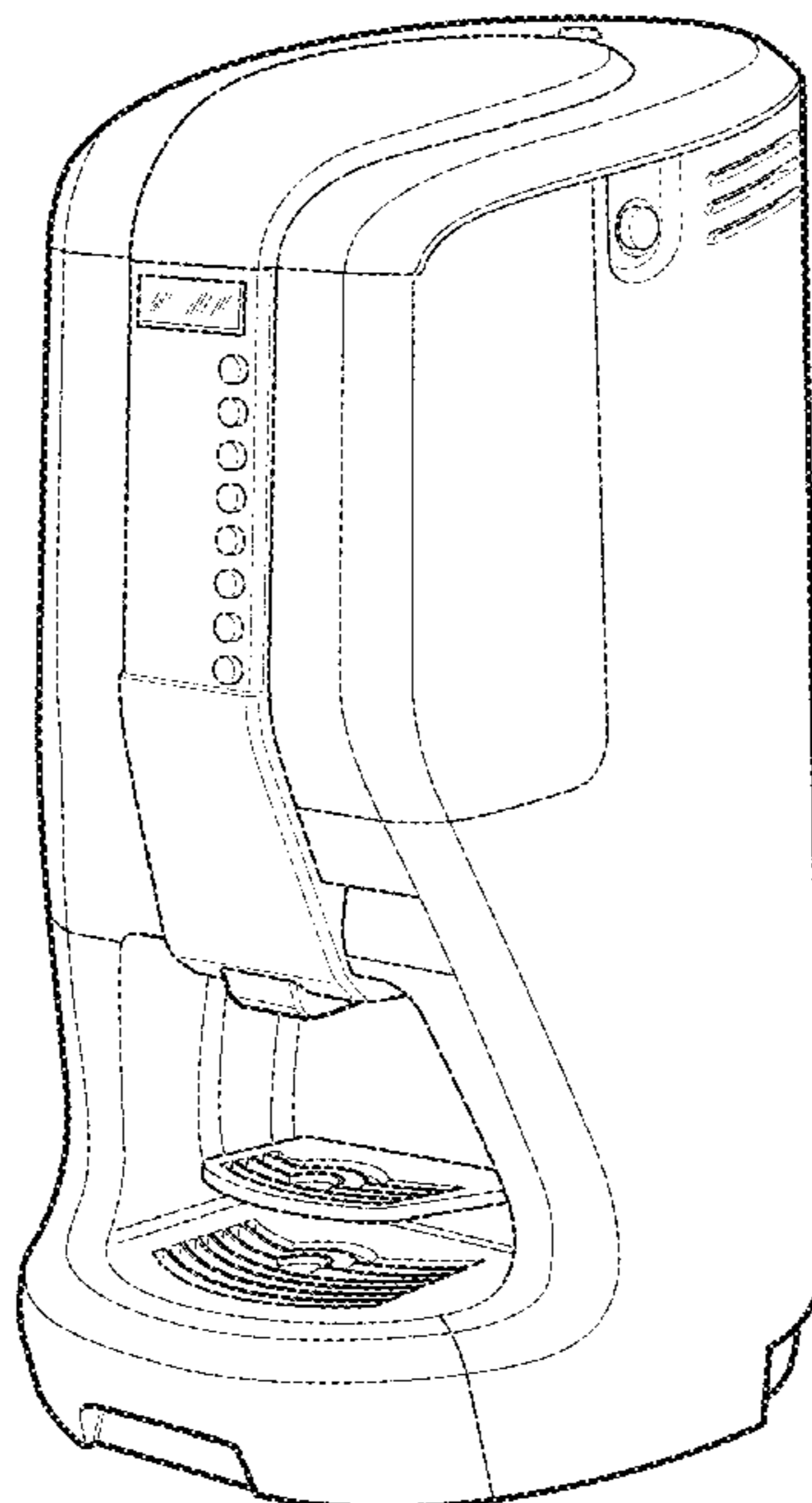
(57) **CLAIM**

The ornamental design for a machine for preparing beverages, as shown and described.

**DESCRIPTION**

FIG. 1 is a front, right perspective view of a machine for preparing beverages;  
FIG. 2 is a front elevational view thereof;  
FIG. 3 is a right elevational view thereof;  
FIG. 4 is a left elevational view thereof;  
FIG. 5 is a rear elevational view thereof;  
FIG. 6 is a top plan view thereof; and,  
FIG. 7 is a bottom plan view thereof.

**1 Claim, 7 Drawing Sheets**



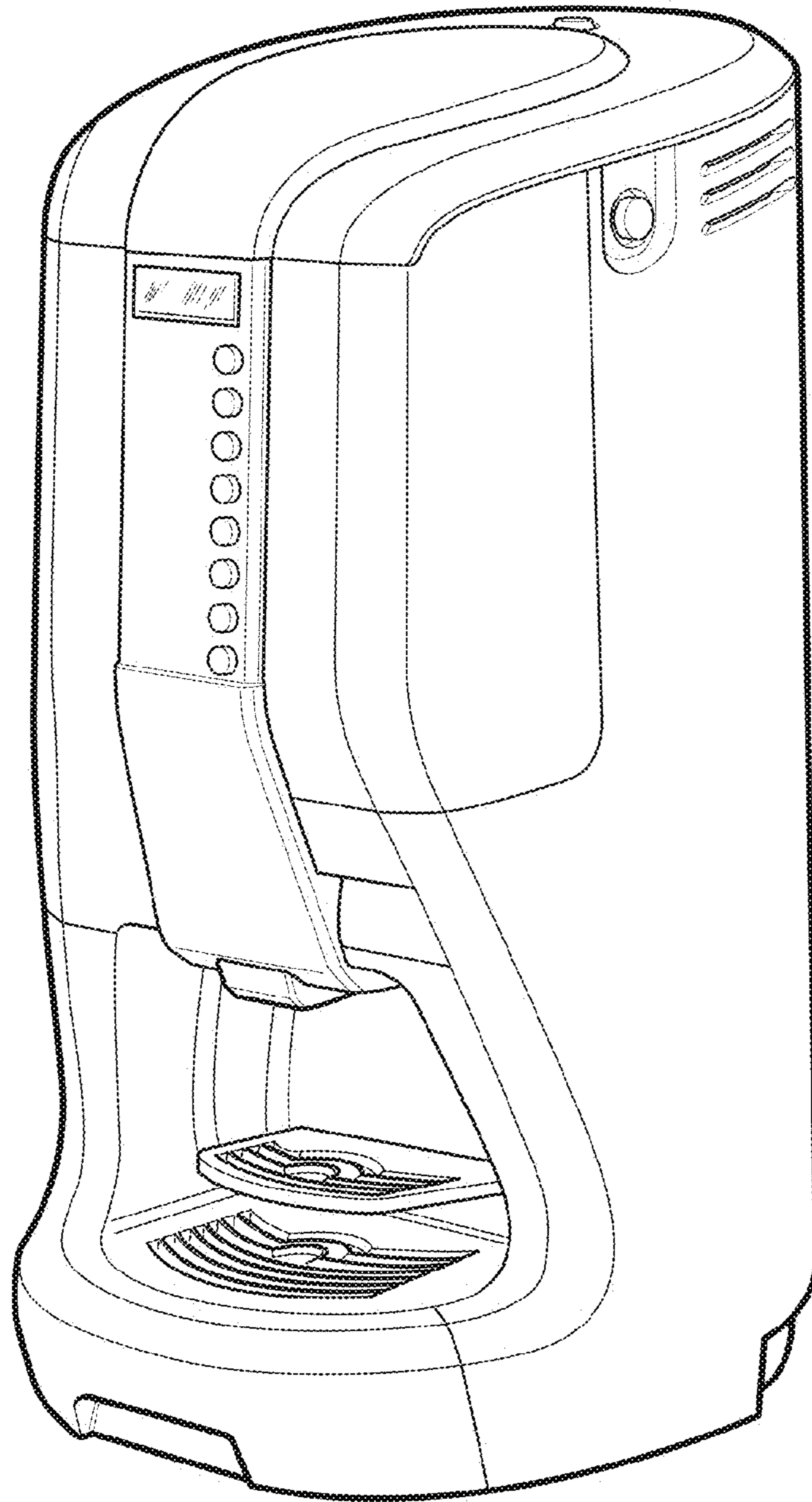


FIG. 1

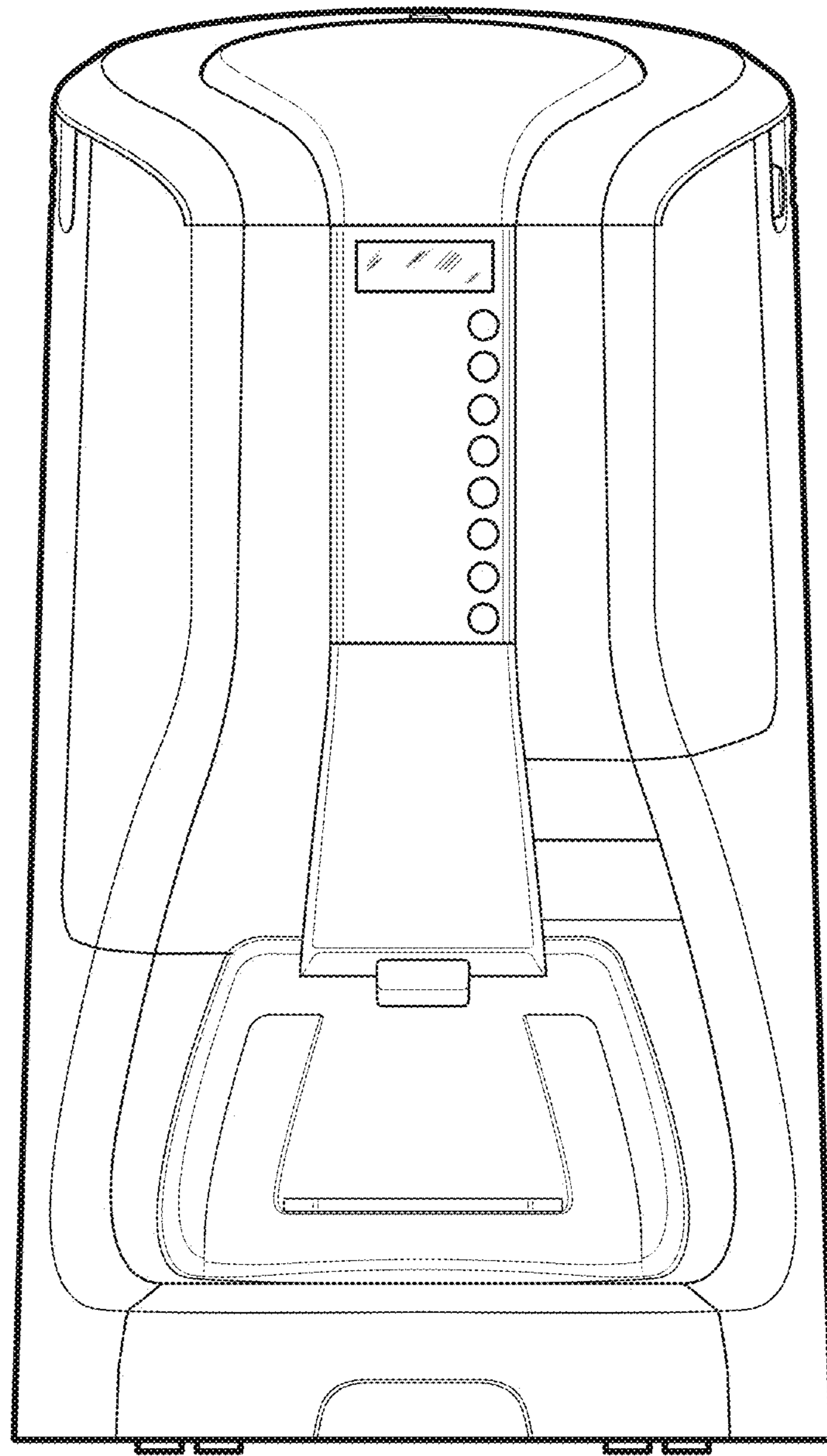


FIG. 2

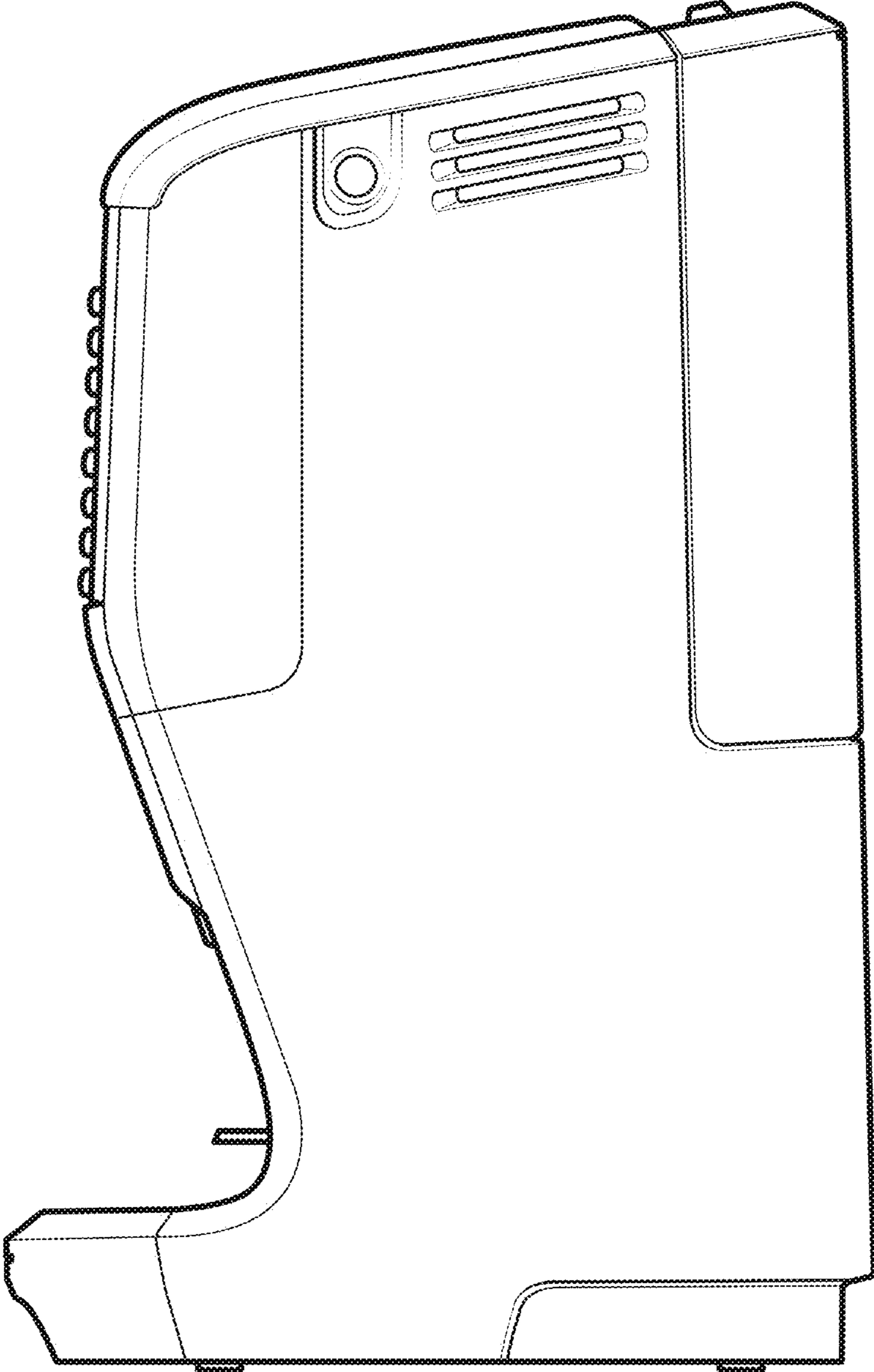


FIG. 3

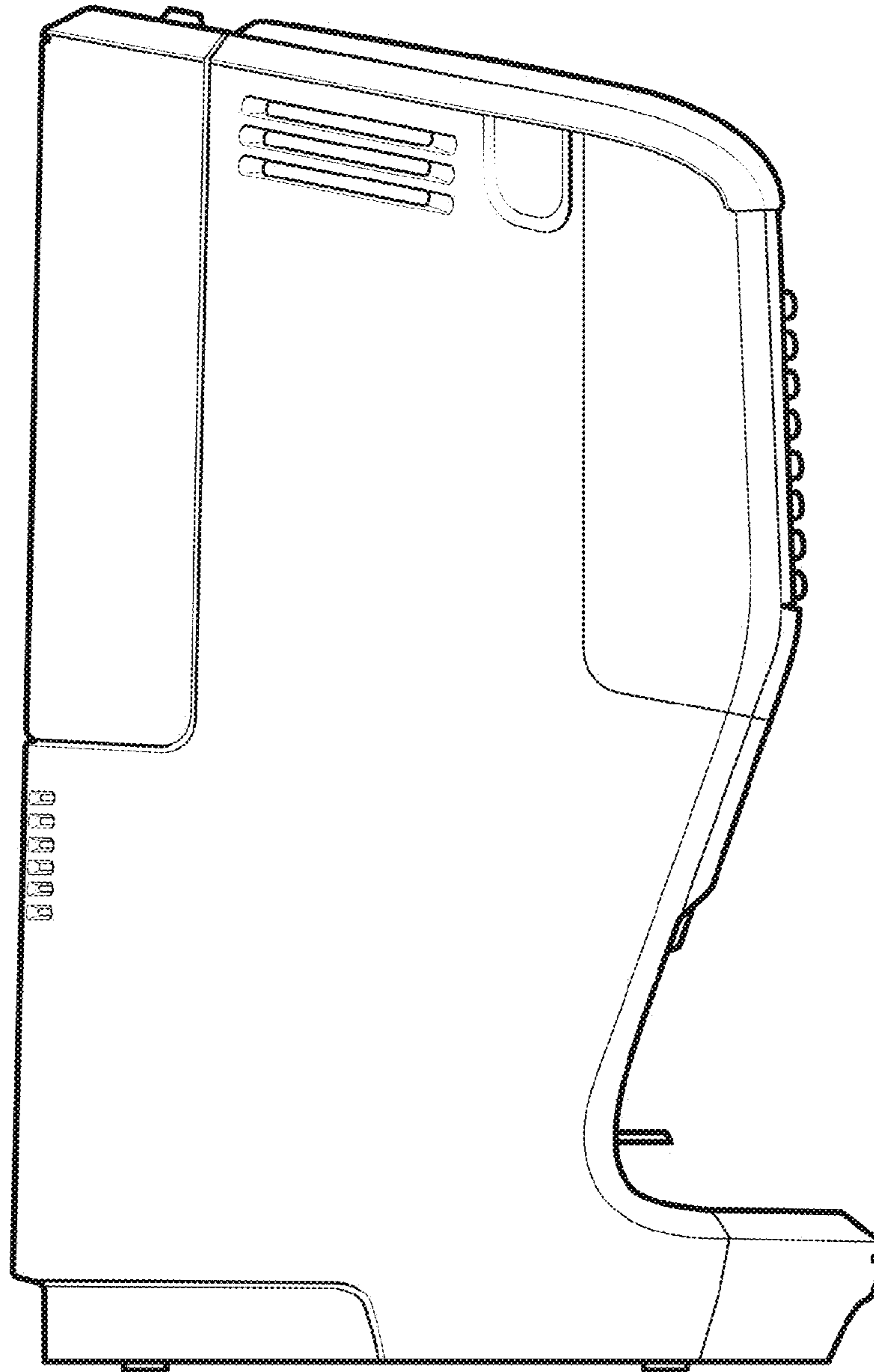


FIG. 4

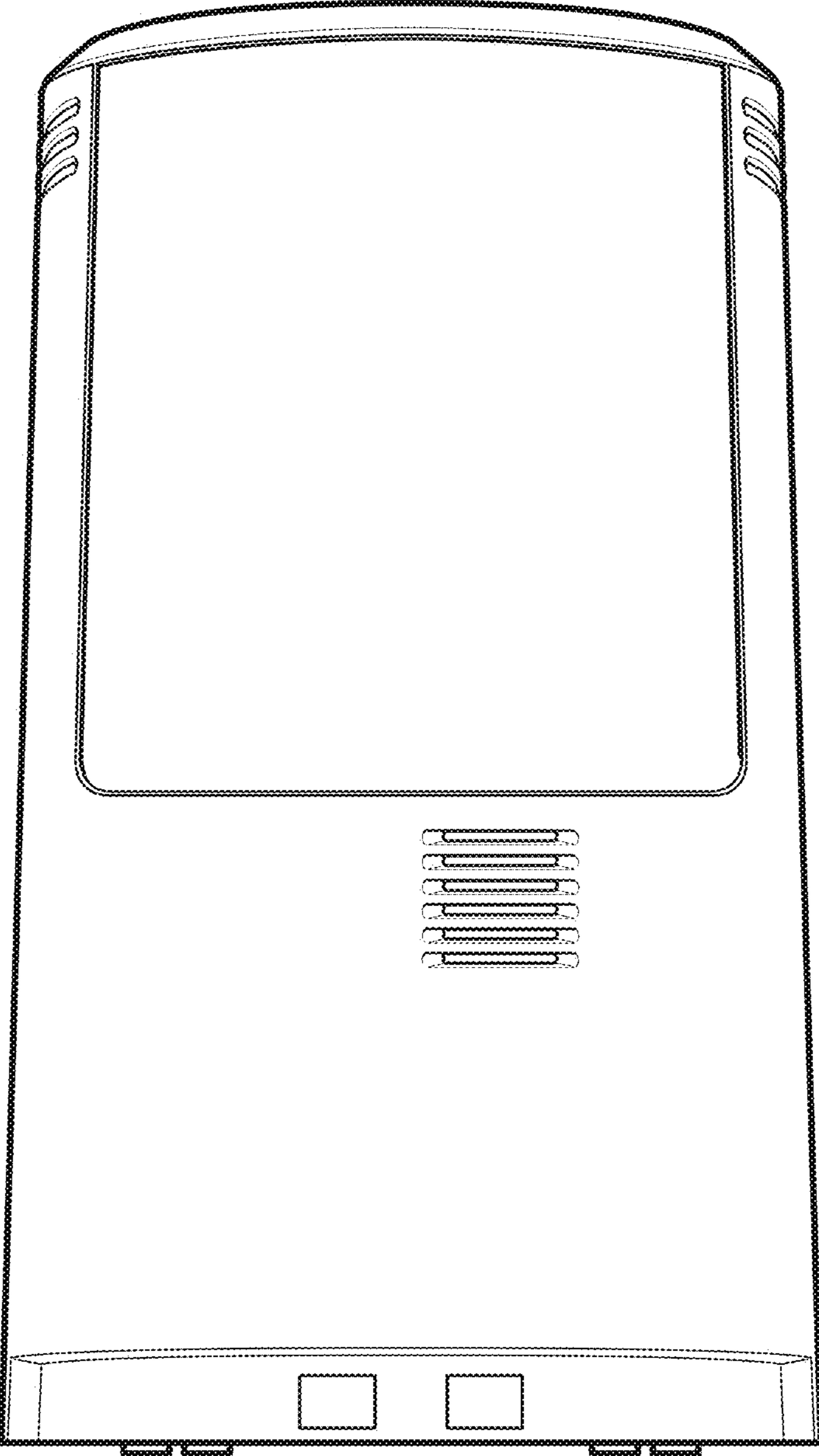


FIG. 5

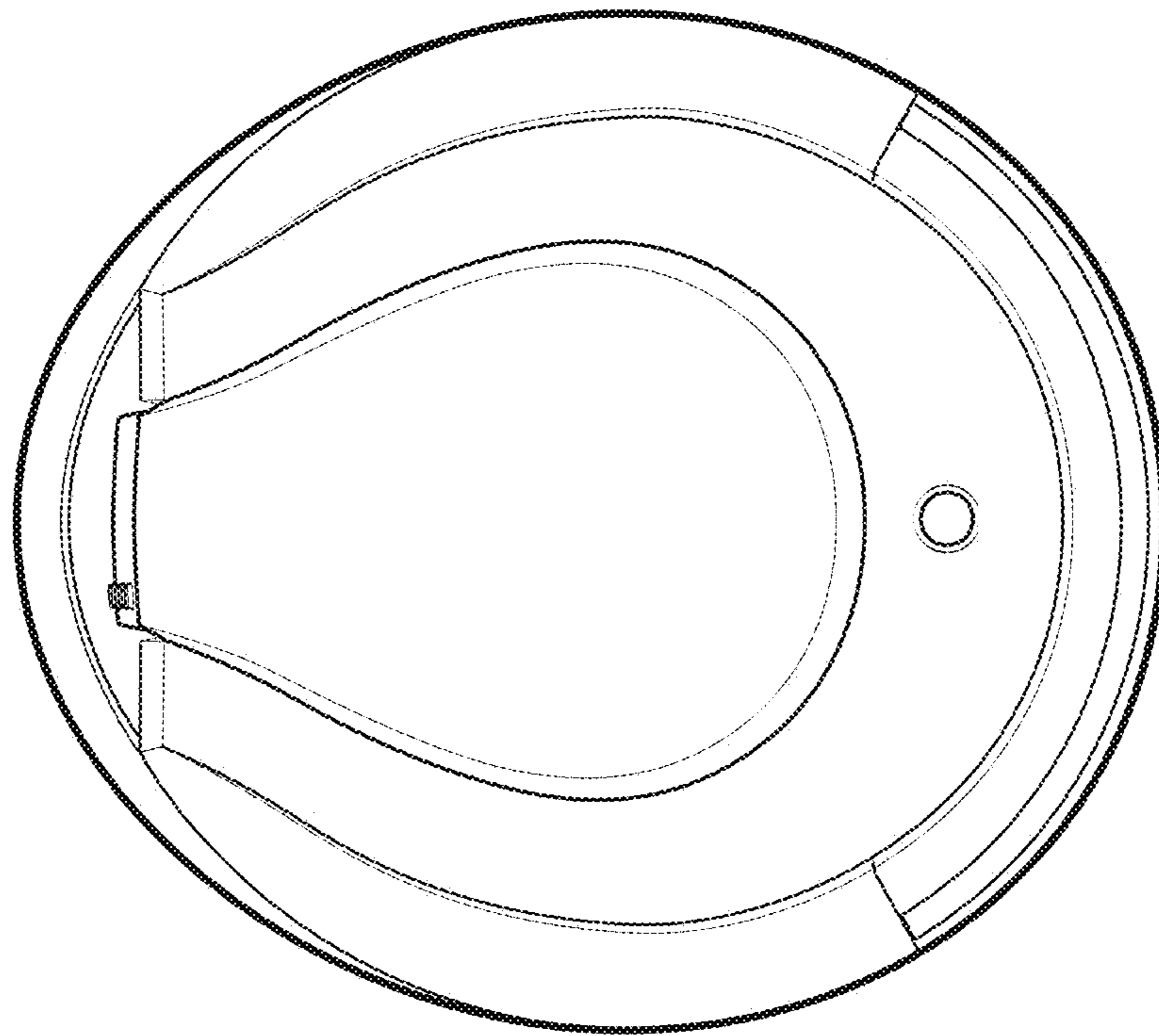


FIG. 6

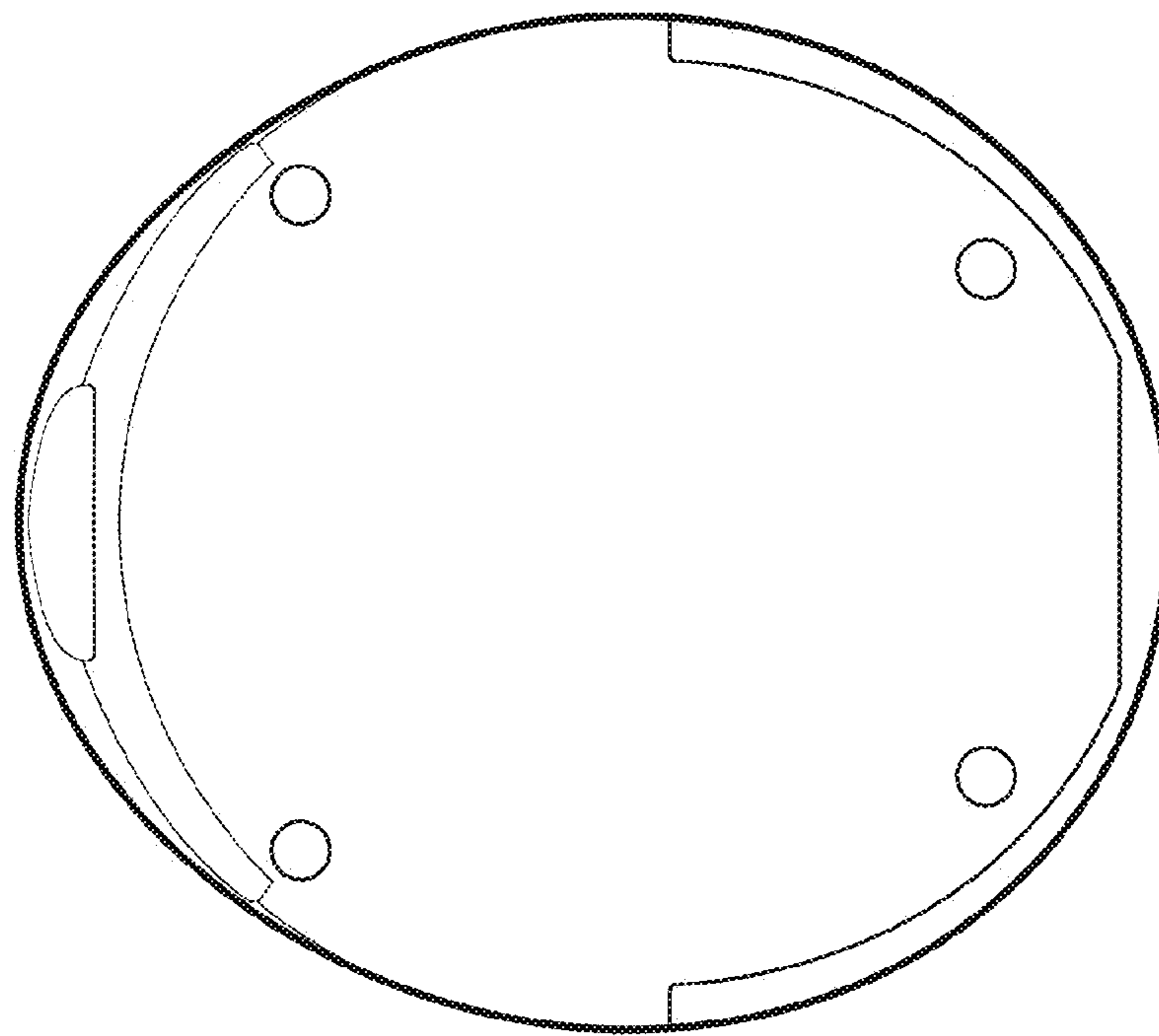


FIG. 7