



US00D681381S

(12) **United States Design Patent**
Ratzmann

(10) **Patent No.:** **US D681,381 S**

(45) **Date of Patent:** **** May 7, 2013**

(54) **HANGING FLOWER VASE**

(71) Applicant: **Daniel Ratzmann**, Boostedt (DE)

(72) Inventor: **Daniel Ratzmann**, Boostedt (DE)

(**) Term: **14 Years**

(21) Appl. No.: **29/435,403**

(22) Filed: **Oct. 23, 2012**

(30) **Foreign Application Priority Data**

Jun. 7, 2012 (DE) 402012100429

(51) **LOC (9) Cl.** **06-04**

(52) **U.S. Cl.**
USPC **D6/556**

(58) **Field of Classification Search** D6/553,
D6/556; 211/13.1, 71.01, 86.01, 88.03, 106,
211/181.1; 47/39, 72, 65.5; 248/200, 302,
248/304, 309.1, 311.2, 314; D26/72, 73

See application file for complete search history.

(56) **References Cited**

U.S. PATENT DOCUMENTS

D315,532 S *	3/1991	Belokin, Jr.	D6/556
D371,926 S *	7/1996	Powell	D6/556
D398,801 S *	9/1998	Shaw	D6/556
D604,081 S *	11/2009	Nunes	D6/556

* cited by examiner

Primary Examiner — Brian N Vinson

(74) *Attorney, Agent, or Firm* — Smartpat PLC; Axel Nix

(57) **CLAIM**

I claim the ornamental design for a hanging flower vase, as shown and described.

DESCRIPTION

FIG. 1 is a perspective view of a hanging flower vase showing my new design;

FIG. 2 is a front view thereof;

FIG. 3 is a rear view thereof;

FIG. 4 is a left side view thereof;

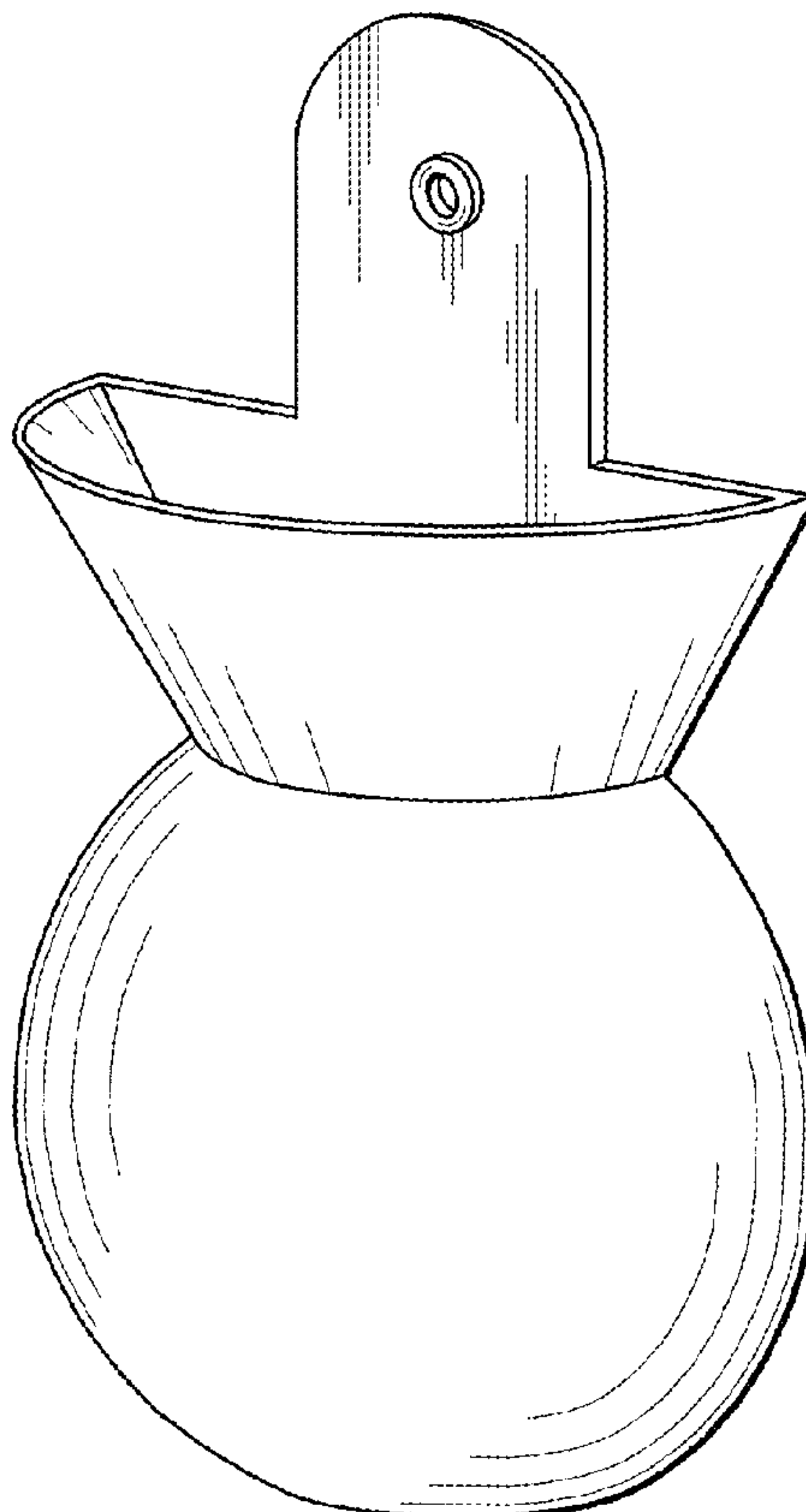
FIG. 5 is a right side view thereof;

FIG. 6 is a top view thereof; and,

FIG. 7 is a bottom view thereof.

The broken line showing a bottom section of the flower vase is for illustrative purposes only and forms no part of the claimed design.

1 Claim, 3 Drawing Sheets



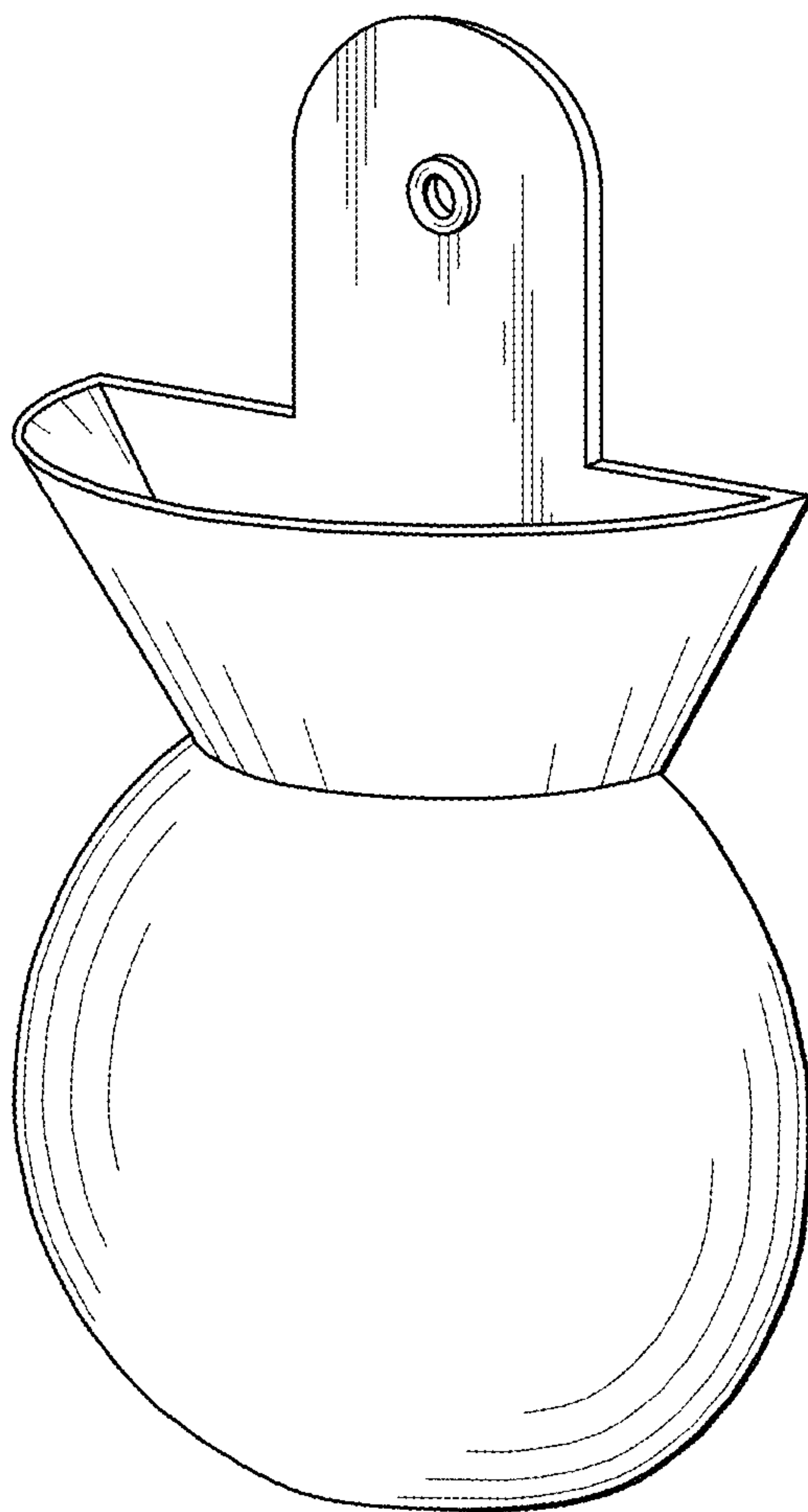


FIG. 1

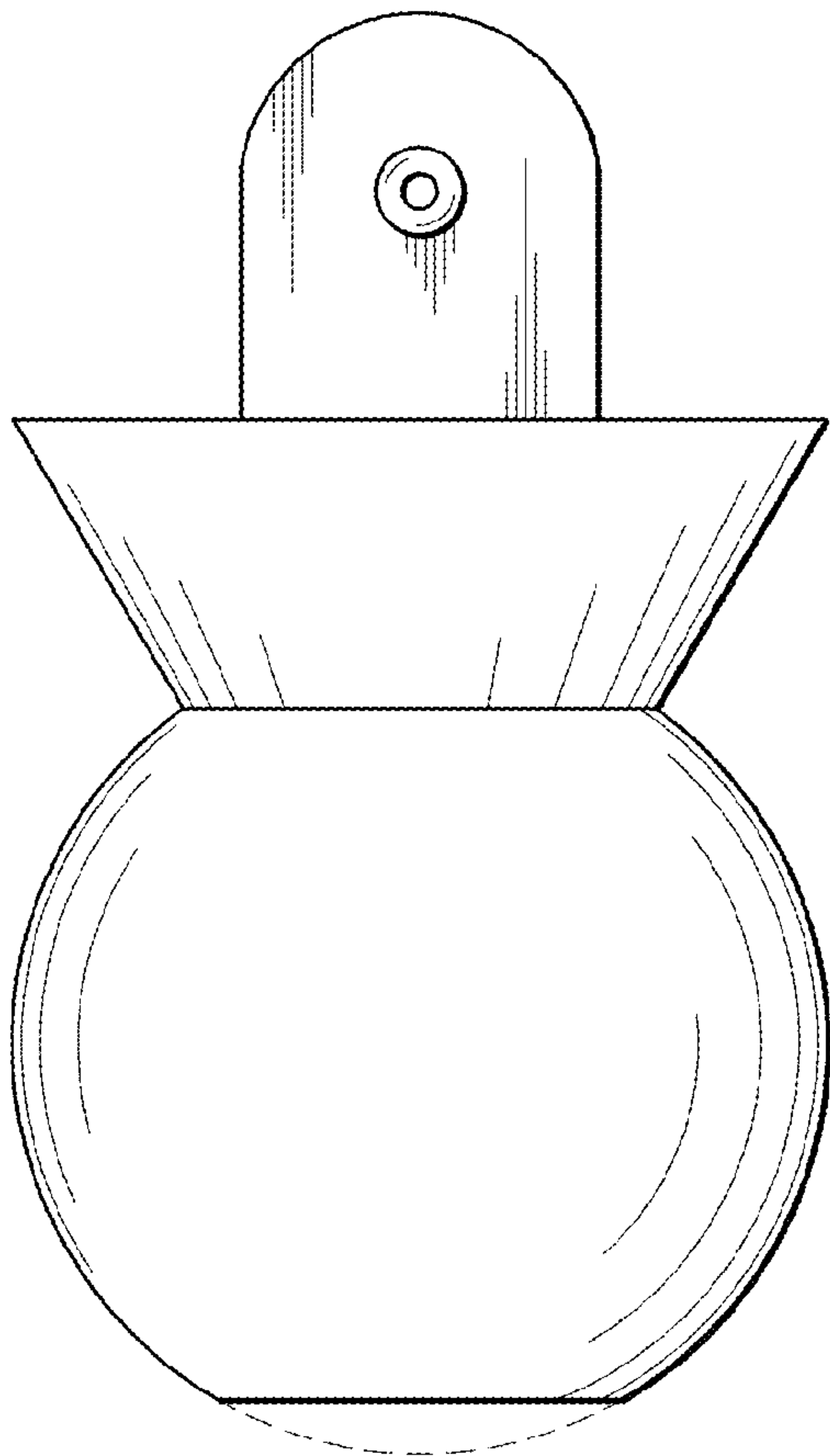


FIG. 2

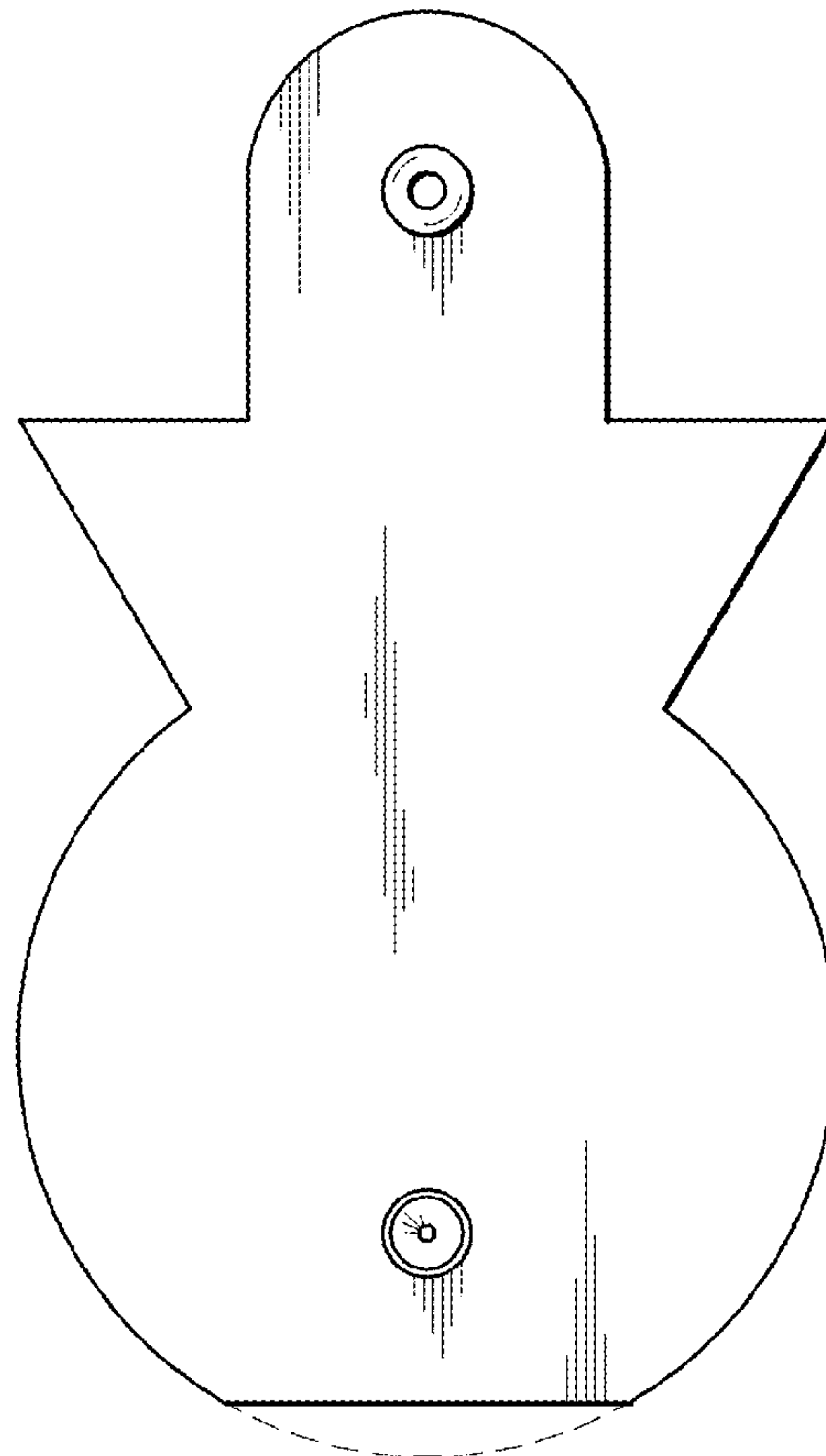


FIG. 3

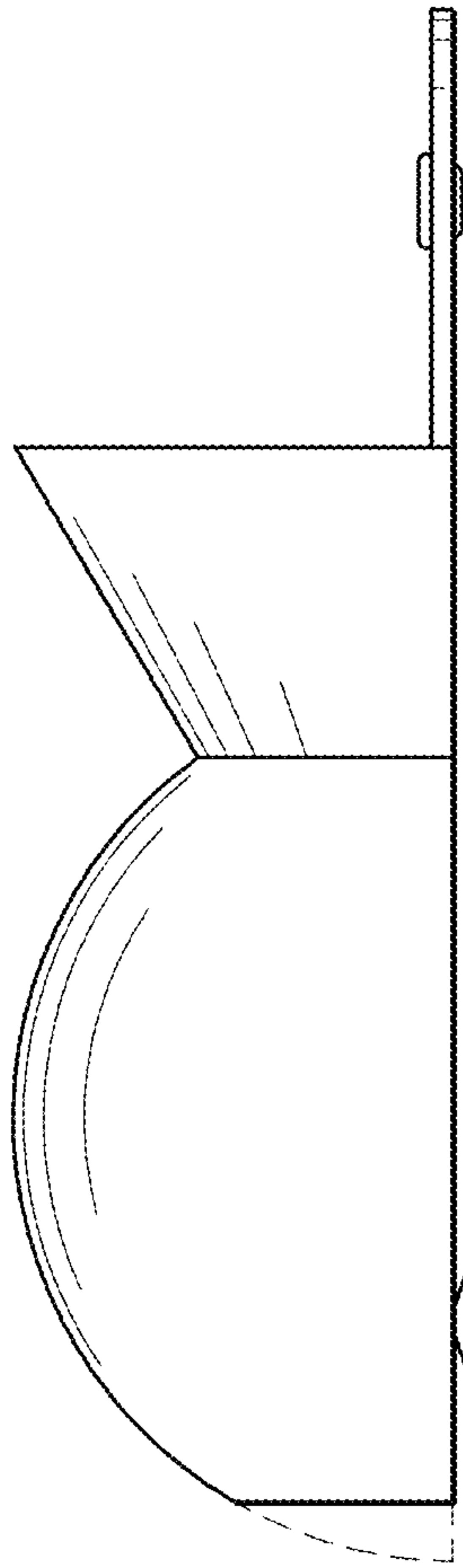


FIG. 4

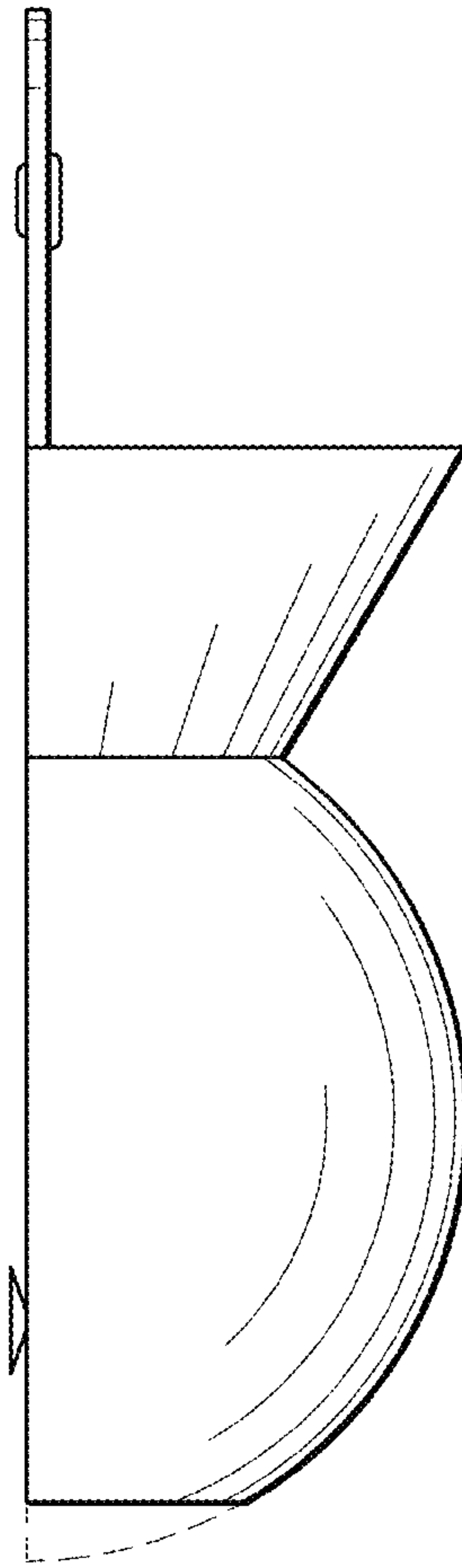


FIG. 5

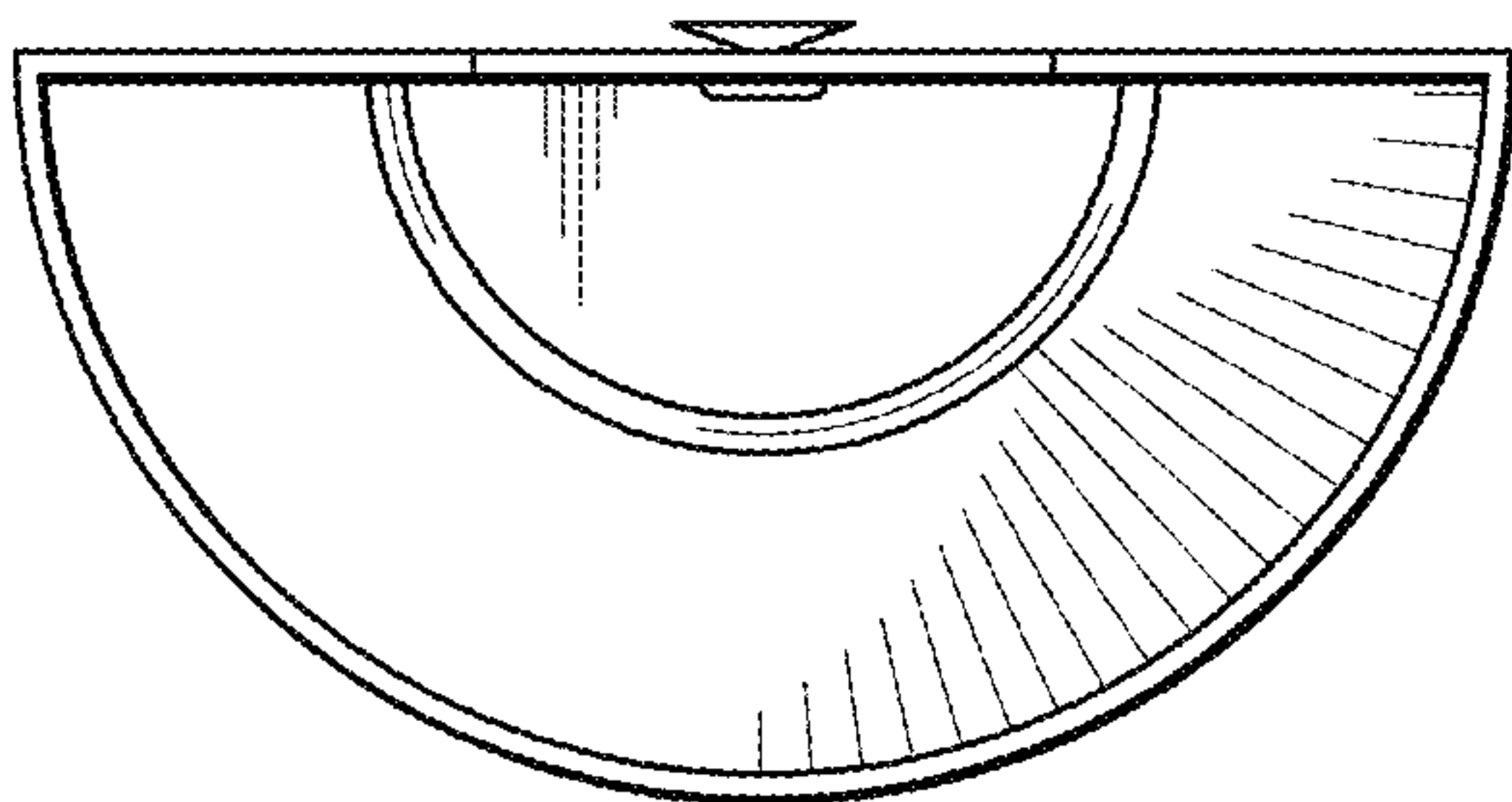


FIG. 6

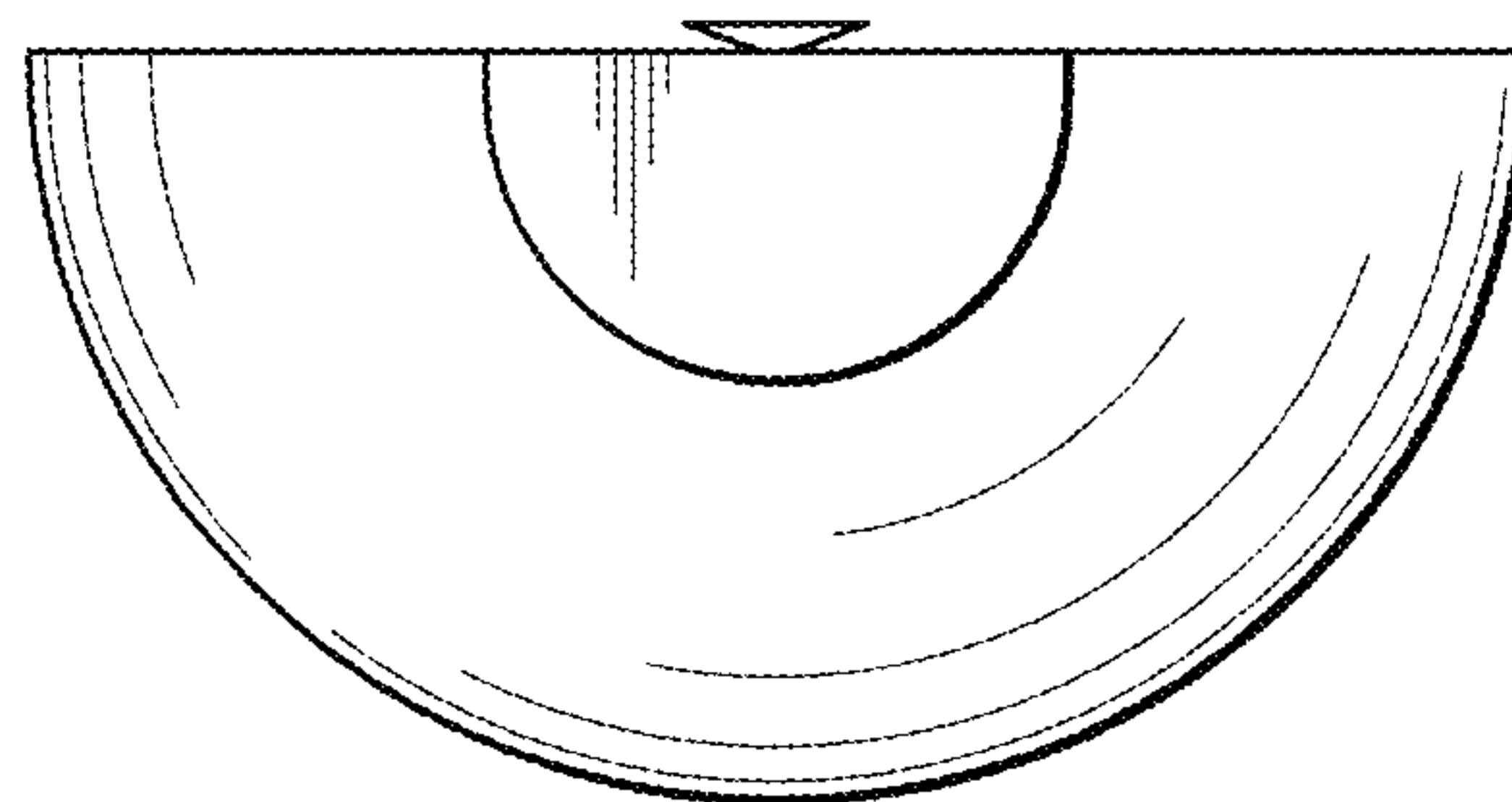


FIG. 7