



US00D681380S

(12) **United States Design Patent**
Lien

(10) **Patent No.:** **US D681,380 S**

(45) **Date of Patent:** **** May 7, 2013**

- (54) **EXERCISE BALL RACK**
- (71) Applicant: **Louis Lien**, Bellaire, TX (US)
- (72) Inventor: **Louis Lien**, Bellaire, TX (US)
- (73) Assignee: **USA Sports, inc.**, Houston, TX (US)
- (**) Term: **14 Years**
- (21) Appl. No.: **29/433,958**
- (22) Filed: **Oct. 7, 2012**
- (51) **LOC (9) Cl.** **08-08**
- (52) **U.S. Cl.**
USPC **D6/552**
- (58) **Field of Classification Search** D6/552,
D6/566, 396, 397, 449, 455; D21/785; 108/28,
108/59, 91, 150; 206/315.91; 211/13.1,
211/14, 85.23; 248/309.1; D7/600.4
See application file for complete search history.

- D557,540 S * 12/2007 Maycock D6/552
- D567,559 S * 4/2008 Blazer D6/552
- 7,458,475 B2 * 12/2008 Ho 211/85.23
- D634,978 S * 3/2011 Tiemann D7/600.4

* cited by examiner

Primary Examiner — Brian N Vinson

(74) *Attorney, Agent, or Firm* — Nick A. Nichols, Jr.

(57) **CLAIM**

The ornamental design for an exercise ball rack, as shown and described.

DESCRIPTION

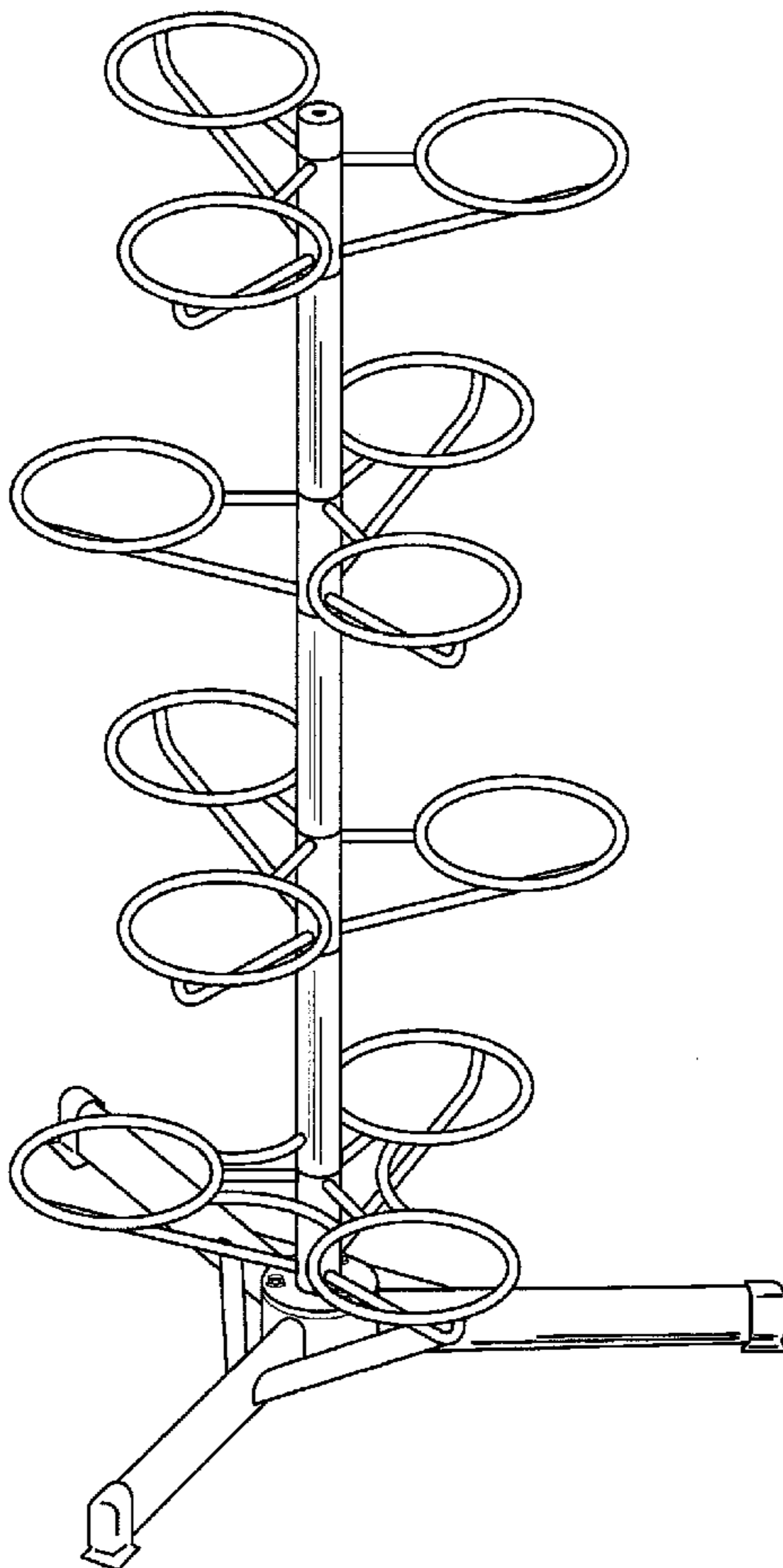
FIG. 1 is a perspective view of an exercise ball rack showing my new design;
 FIG. 2 is a right side view thereof;
 FIG. 3 is a front view thereof;
 FIG. 4 is a left side view thereof;
 FIG. 5 is a rear view thereof;
 FIG. 6 is a bottom plan view thereof; and,
 FIG. 7 is a top plan view thereof.

(56) **References Cited**

U.S. PATENT DOCUMENTS

- D389,688 S * 1/1998 Iacono D6/552

1 Claim, 7 Drawing Sheets



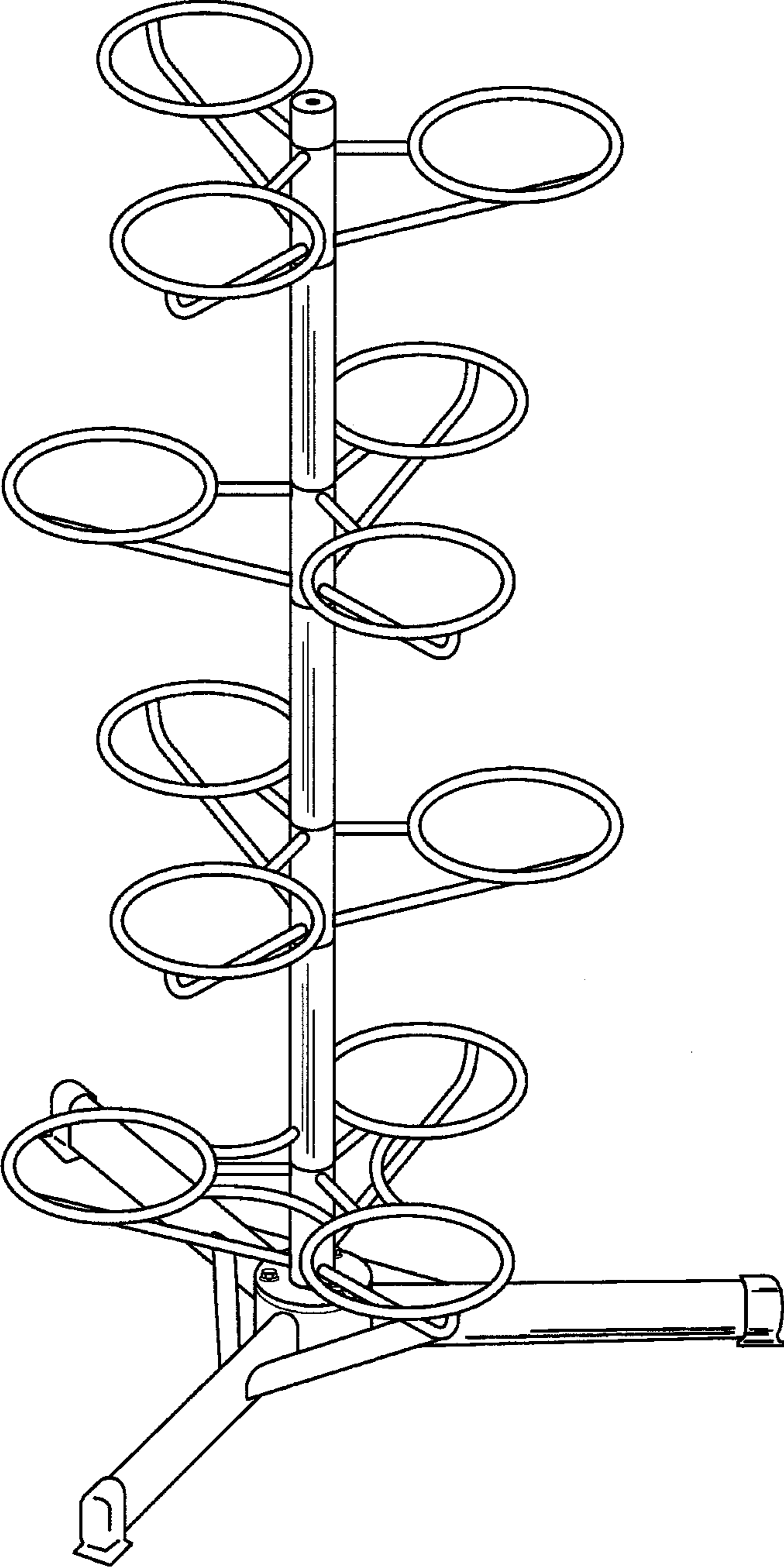


FIG. 1

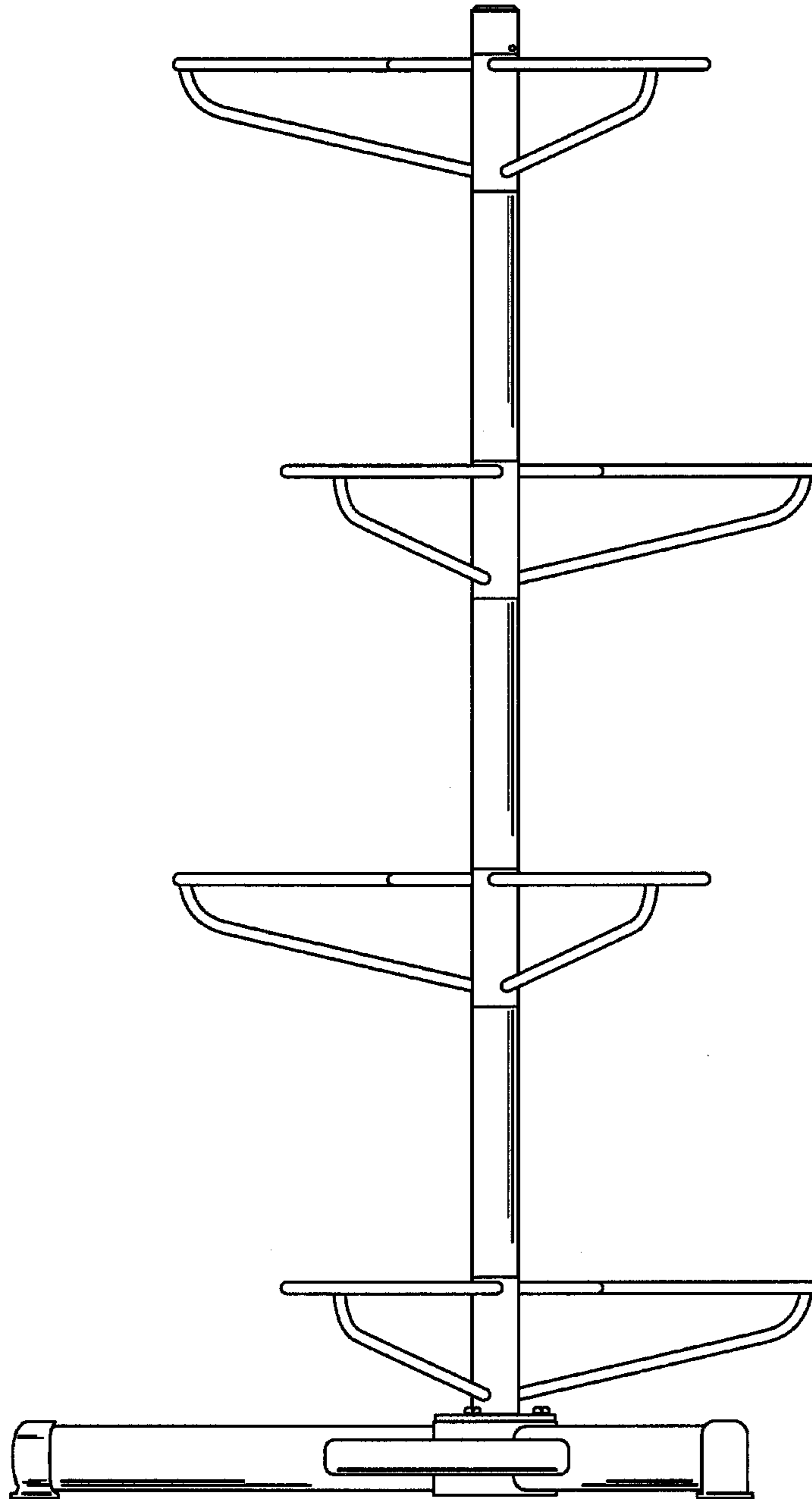


FIG. 2

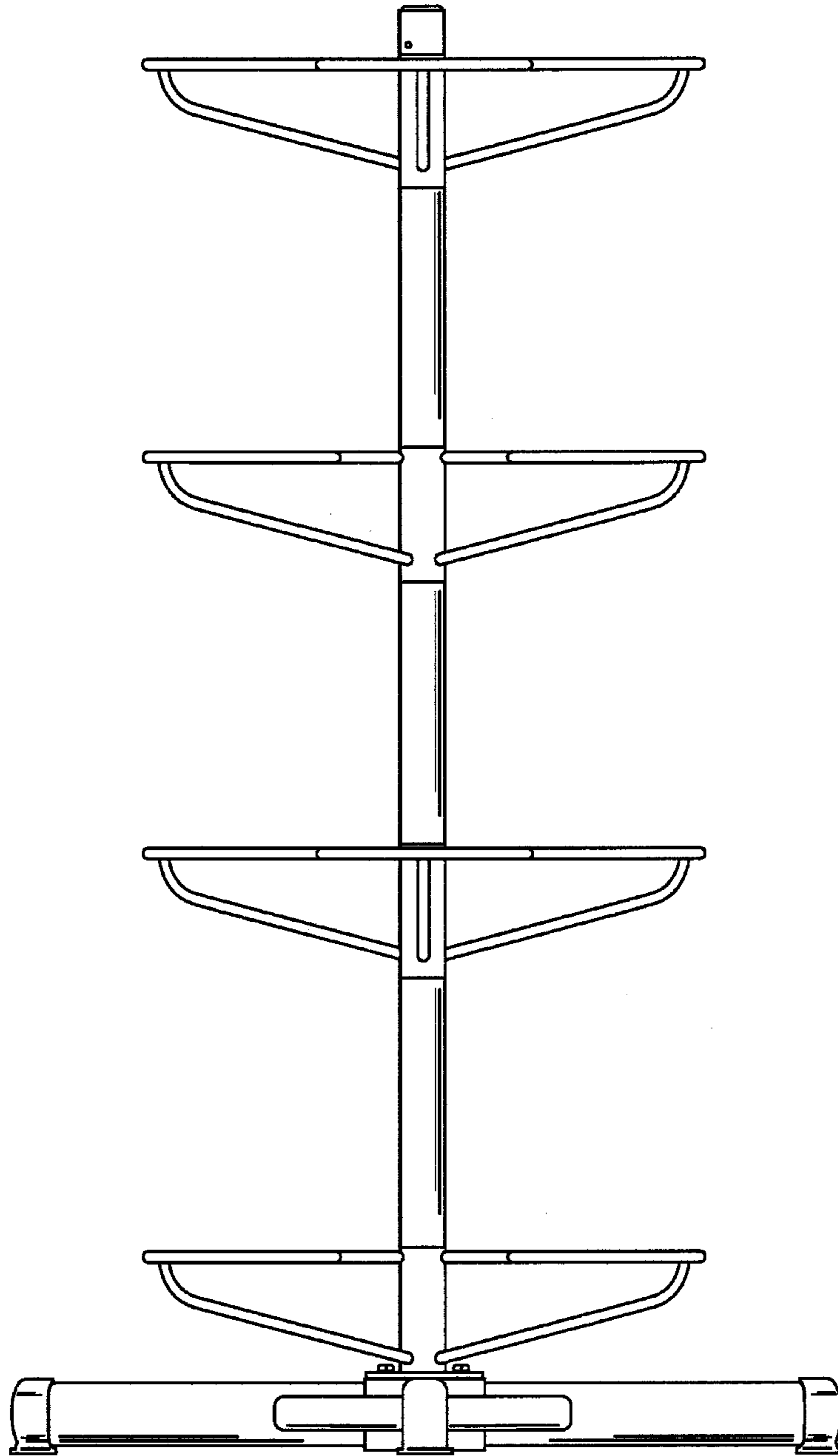


FIG. 3

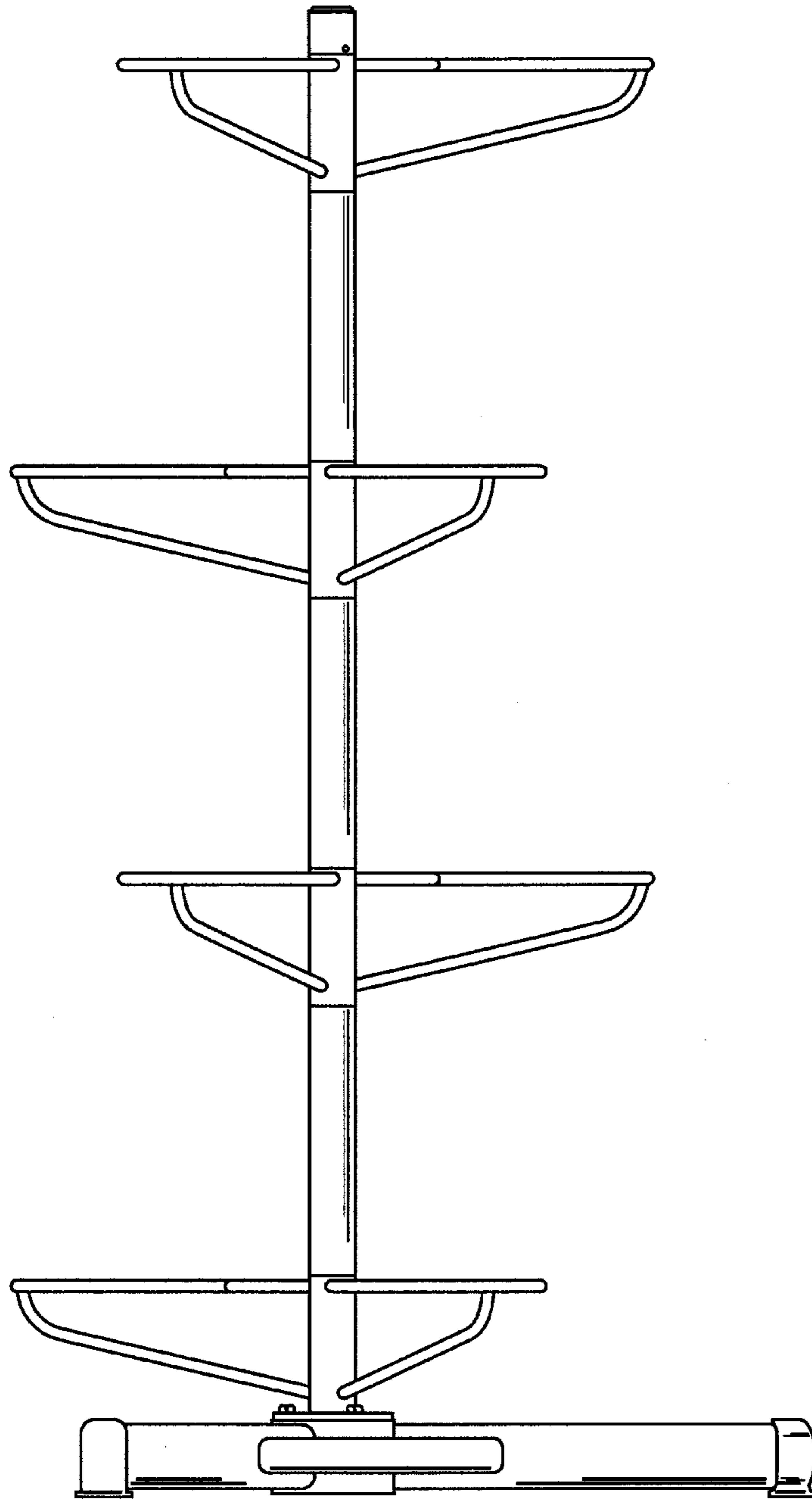


FIG. 4

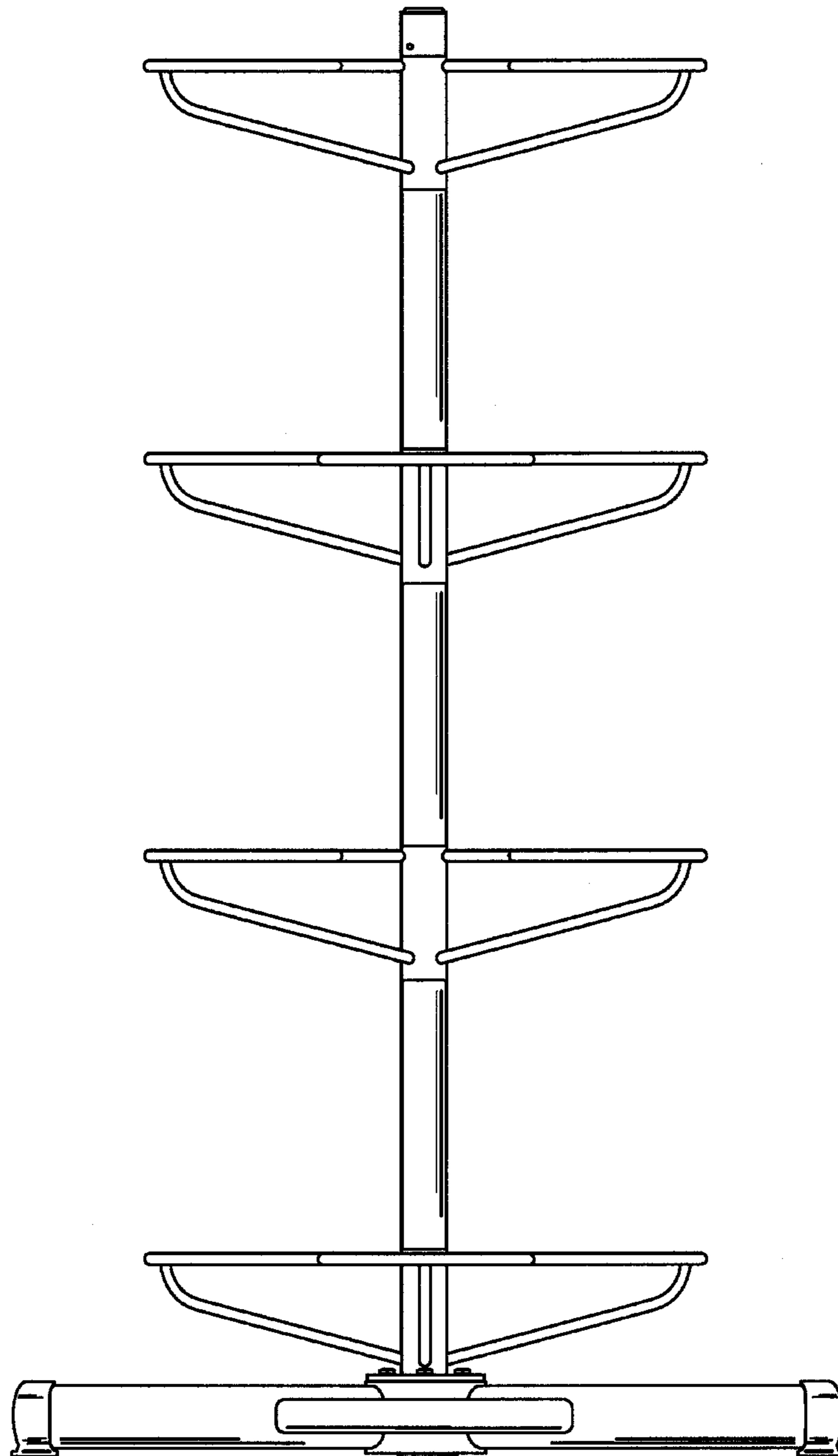


FIG. 5

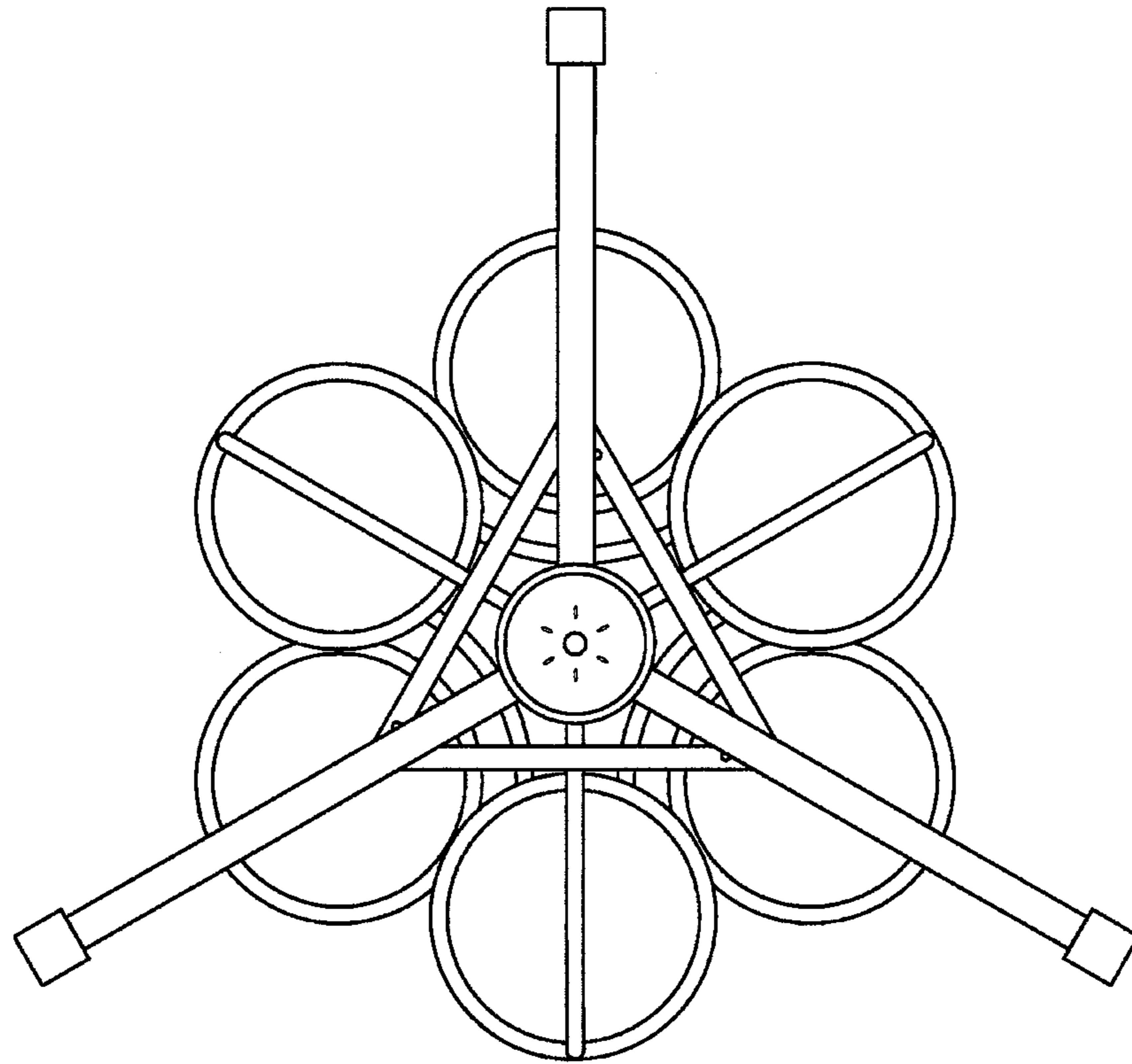


FIG. 6

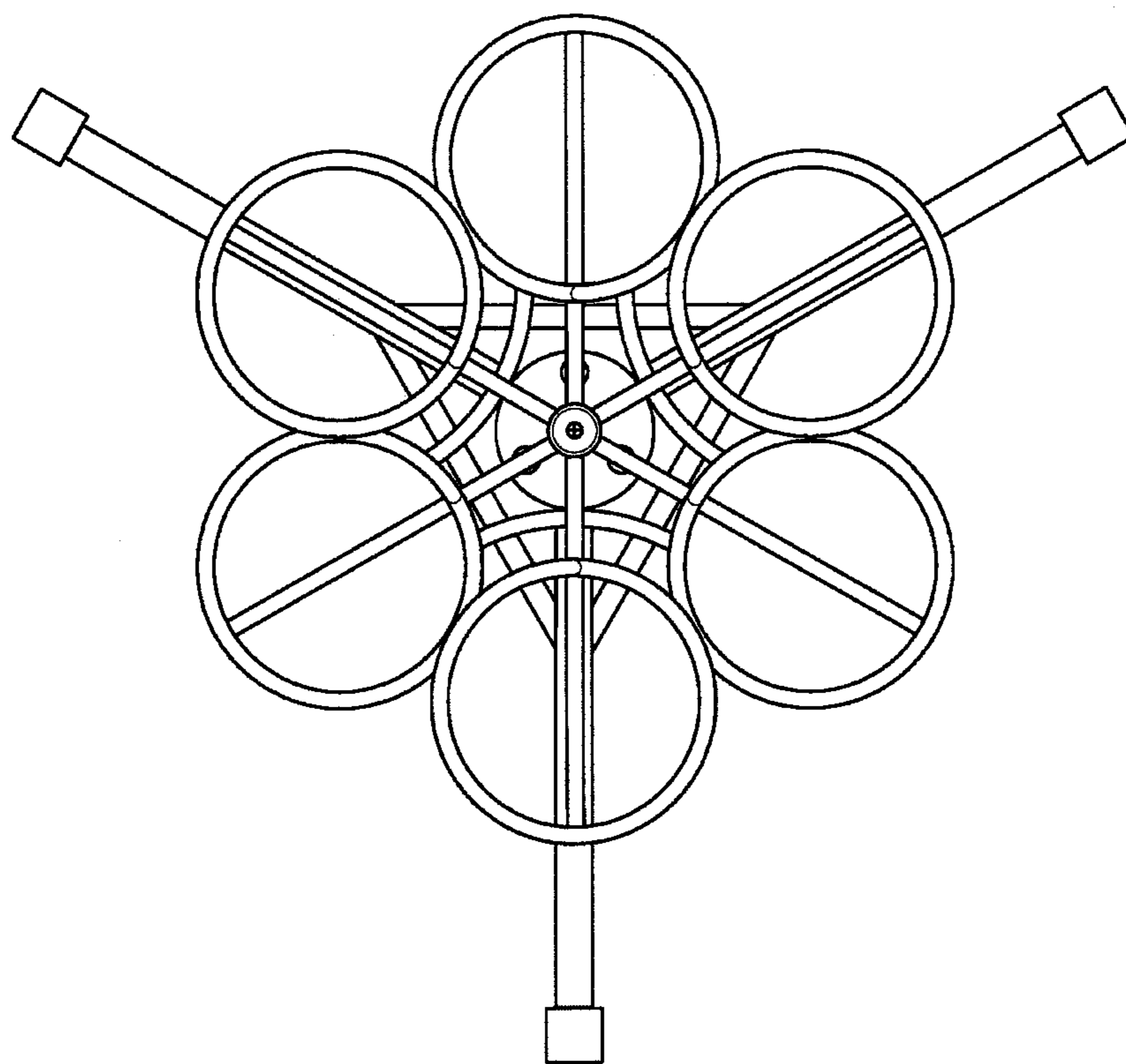


FIG. 7