



US00D681379S

(12) **United States Design Patent**  
**Evans**

(10) **Patent No.:** **US D681,379 S**

(45) **Date of Patent:** **\*\* May 7, 2013**

(54) **UTENSIL AND PAPER TOWEL HOLDER**

(56) **References Cited**

(71) Applicant: **Lisa Evans**, Granada Hills, CA (US)

U.S. PATENT DOCUMENTS

(72) Inventor: **Lisa Evans**, Granada Hills, CA (US)

D337,013	S	*	7/1993	Poliandro	.....	D6/518
D341,968	S	*	12/1993	Kumerfield	.....	D6/520
D356,458	S	*	3/1995	Wobschall	.....	D6/518
D426,991	S	*	6/2000	Kent, Jr.	.....	D6/518
D569,144	S	*	5/2008	Mapp	.....	D6/518
D617,592	S	*	6/2010	Urquiola	.....	D6/518

(\*\*) Term: **14 Years**

\* cited by examiner

(21) Appl. No.: **29/435,040**

(22) Filed: **Oct. 18, 2012**

*Primary Examiner* — Brian N Vinson

(74) *Attorney, Agent, or Firm* — QuickPatents; Kevin Prince

**Related U.S. Application Data**

(63) Continuation-in-part of application No. 29/412,208, filed on Jan. 31, 2012, now abandoned.

(57) **CLAIM**

The ornamental design for a utensil and paper towel holder, as shown and described.

(51) **LOC (9) Cl.** ..... **20-02**

(52) **U.S. Cl.**  
USPC ..... **D6/518**

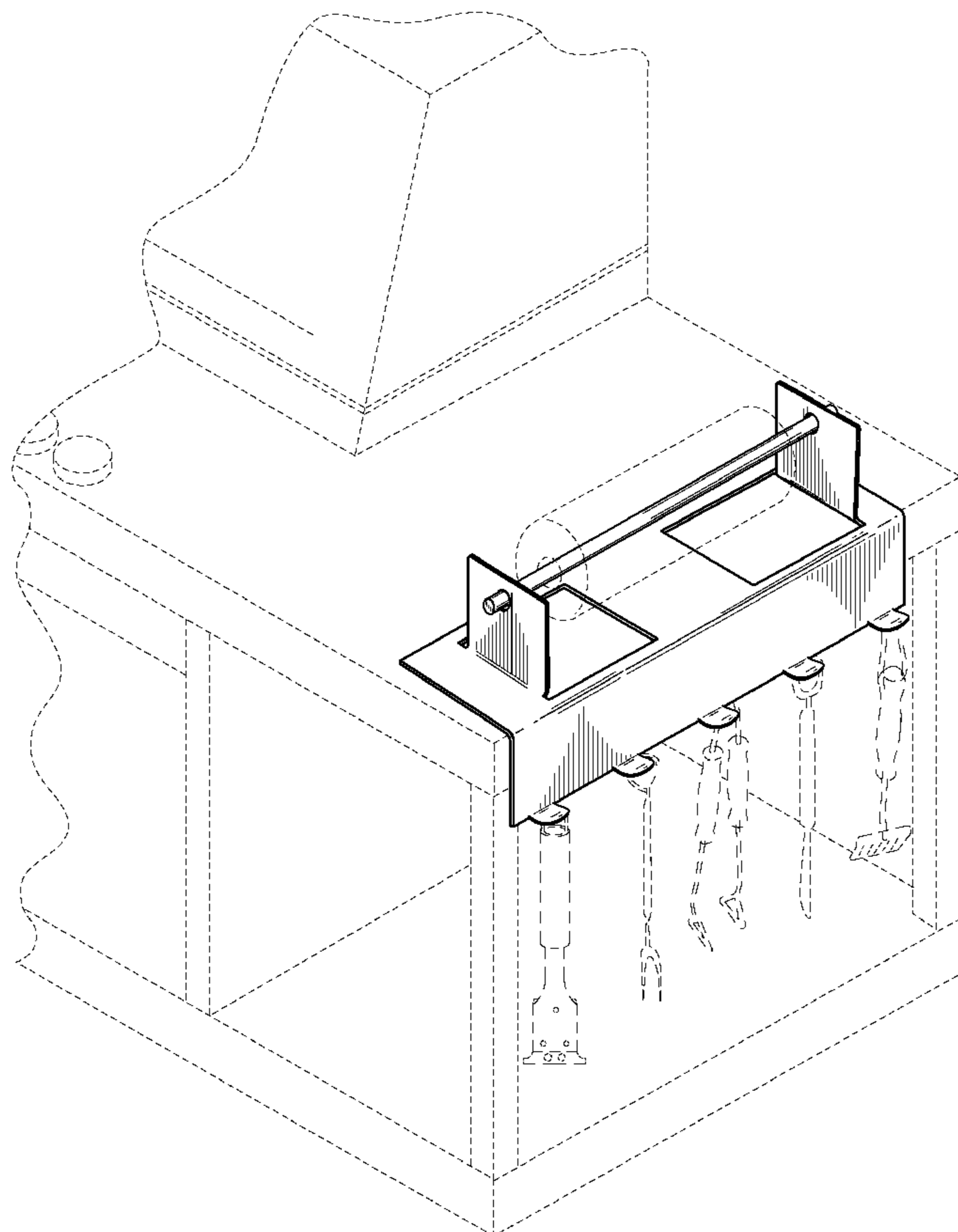
**DESCRIPTION**

(58) **Field of Classification Search** ..... D6/515,  
D6/518-523; D3/201; 206/389, 391, 407,  
206/409; 312/34.1, 34.8; 211/16, 85.5, 59.2;  
221/92, 97, 185, 282, 284; 242/159, 160.2,  
242/550, 560, 590, 594, 59, 588, 598, 598.3,  
242/598.65

FIG. 1 is a perspective view of a utensil and paper towel holder, showing my new design;  
FIG. 2 is a rear elevational view thereof;  
FIG. 3 is a front elevational view thereof;  
FIG. 4 is a top plan view thereof;  
FIG. 5 is a bottom plan view thereof; and,  
FIG. 6 is a right-side elevational view thereof, the left-side elevational view being a mirror image thereof.  
The broken lines showing a portion of a barbecue, a paper towel roll and utensils in FIG. 1 depict environmental matter and form no part of the claimed design.

See application file for complete search history.

**1 Claim, 3 Drawing Sheets**



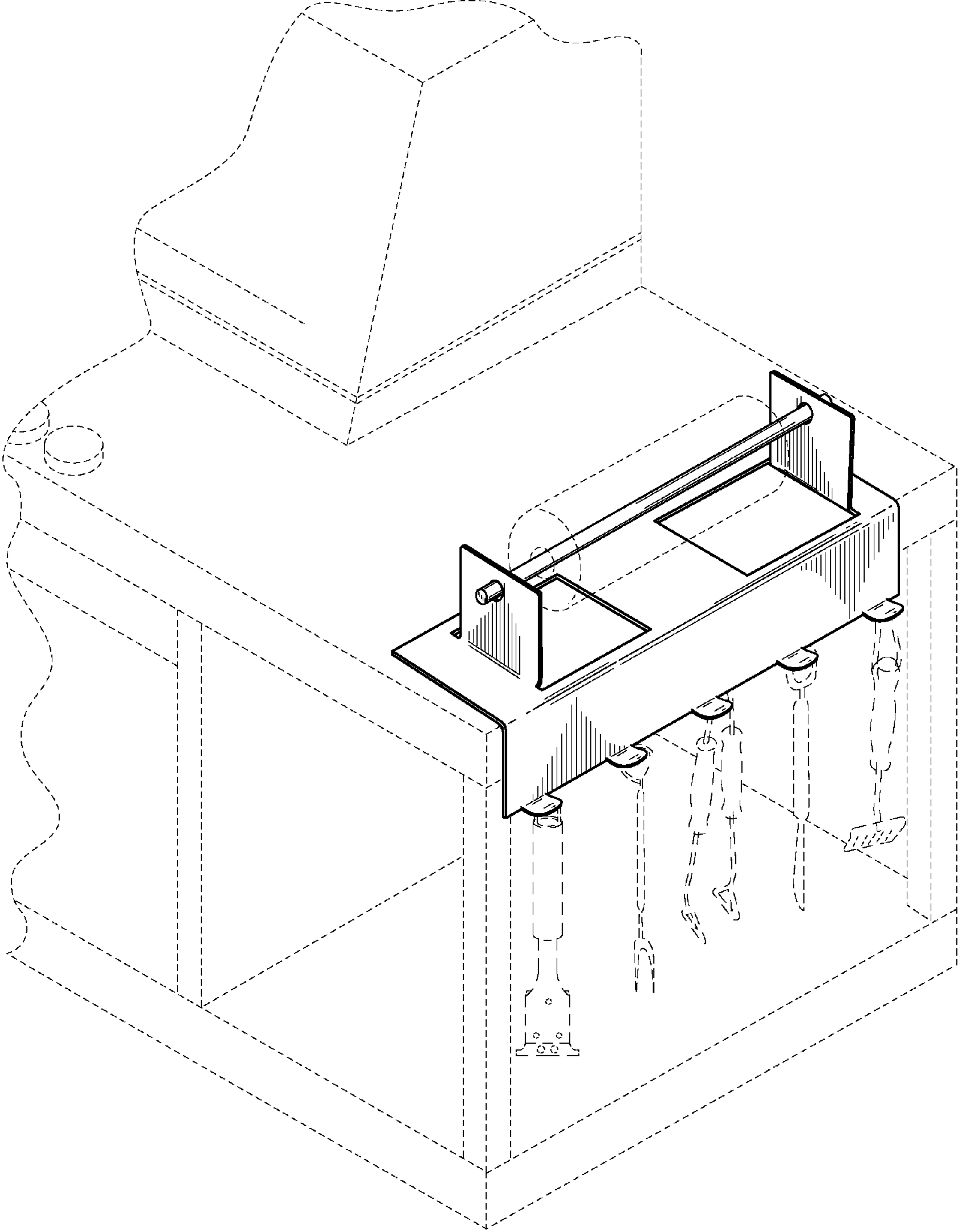


FIG. 1

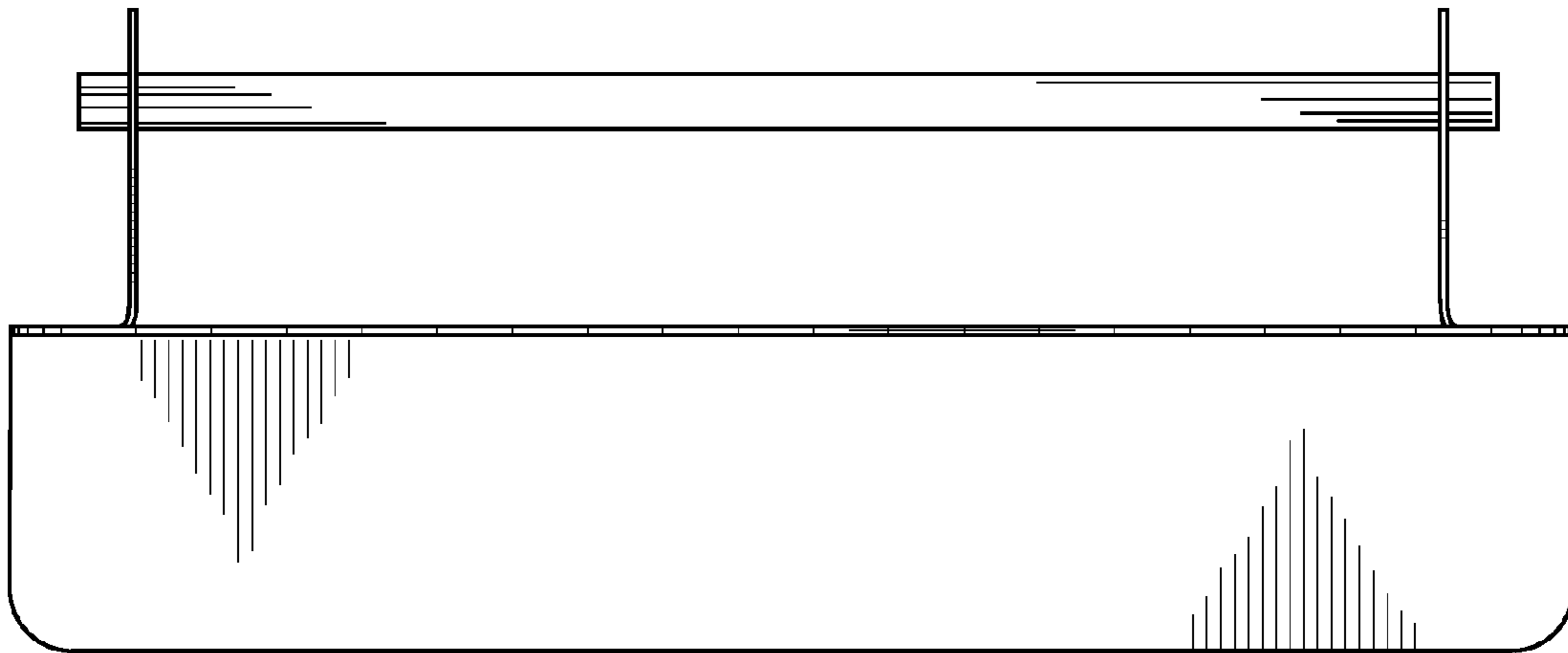


FIG. 2

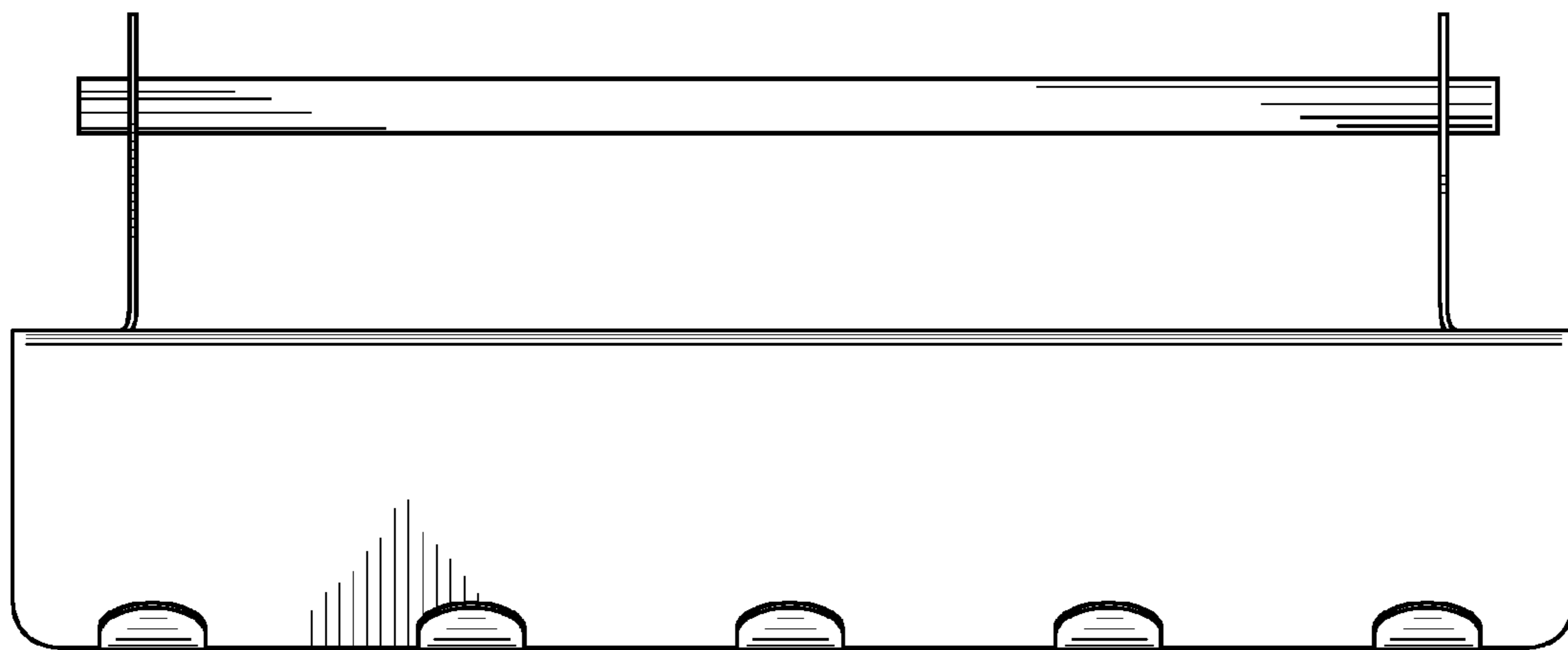


FIG. 3

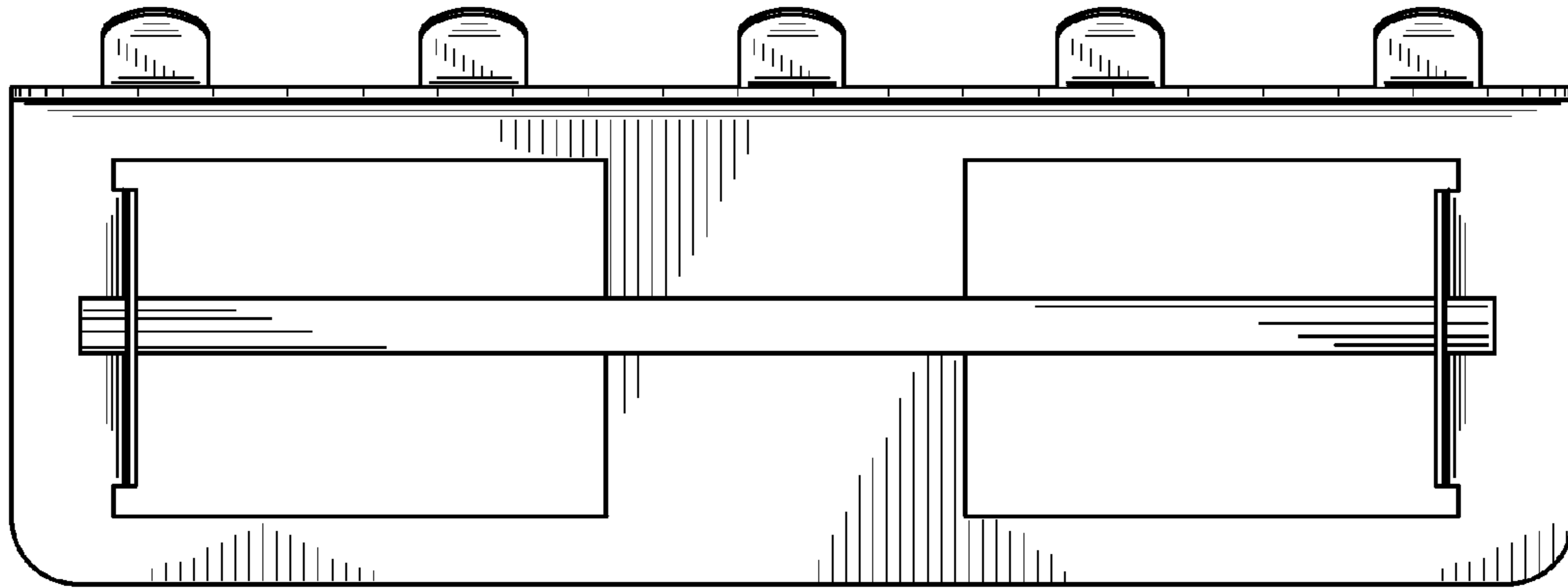


FIG. 4

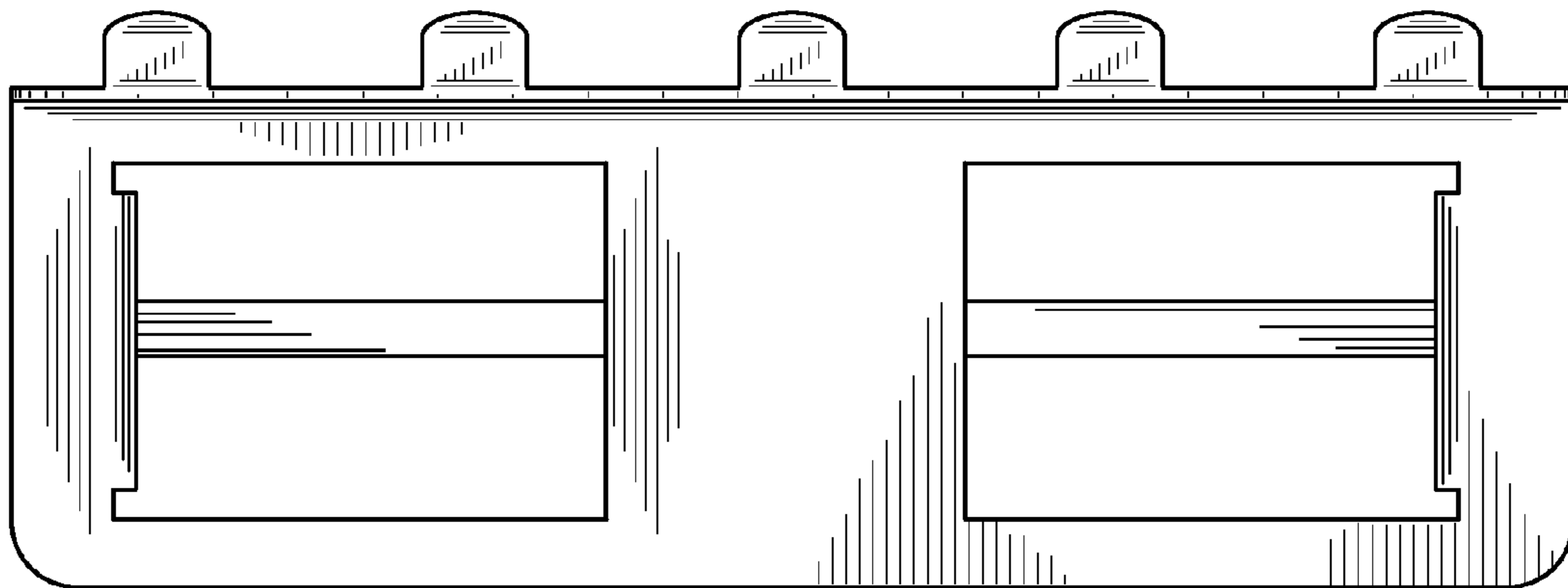


FIG. 5

FIG. 6

