



US00D681376S

(12) **United States Design Patent**  
**Thomas**

(10) **Patent No.:** **US D681,376 S**

(45) **Date of Patent:** **\*\* May 7, 2013**

- (54) **PORTABLE HEADBOARD PANEL**
- (76) Inventor: **Tina S. Thomas**, White Plains, NY (US)
- (\*\*) Term: **14 Years**
- (21) Appl. No.: **29/410,860**
- (22) Filed: **Jan. 12, 2012**
- (51) **LOC (9) Cl.** ..... **06-06**
- (52) **U.S. Cl.**  
USPC ..... **D6/505**
- (58) **Field of Classification Search** ..... D6/382-384,  
D6/388, 393-395, 505-508, 397, 300, 492,  
D6/511; 5/53.1, 279.1, 280, 281, 907, 2.1,  
5/285; D7/388, 624.1, 698; D25/138, 140  
See application file for complete search history.

(56) **References Cited**

U.S. PATENT DOCUMENTS

2,606,755	A	8/1952	Samuels	
D173,154	S *	10/1954	Harmon	D6/399
2,833,001	A	5/1958	Montefalco	
3,116,569	A	1/1964	Kramer	
D243,987	S *	4/1977	Carter	D6/507
4,129,671	A *	12/1978	Greenberg	428/48
D255,522	S	6/1980	Quigley, Jr. et al.	
6,182,307	B1	2/2001	Rutrick	
D453,639	S *	2/2002	Dordoni	D6/393
D466,344	S	12/2002	Tobin, Jr.	
6,618,876	B2	9/2003	Murphy et al.	

D499,587	S	12/2004	Cook	
D510,399	S	10/2005	Myslinski	
7,118,179	B1	10/2006	Wilson et al.	
D604,341	S *	11/2009	Busalt et al.	D15/91
D612,074	S *	3/2010	Krantz-Lilienthal	D25/140
D635,829	S *	4/2011	Morrish et al.	D7/624.1
D655,110	S *	3/2012	Siekman	D6/492
2003/0145377	A1	8/2003	Paul	

\* cited by examiner

*Primary Examiner* — Janice Seeger

(74) *Attorney, Agent, or Firm* — QuickPatents; Kevin Prince

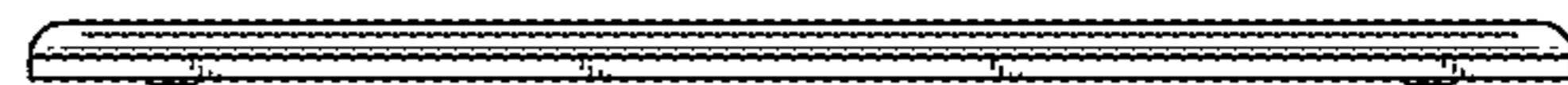
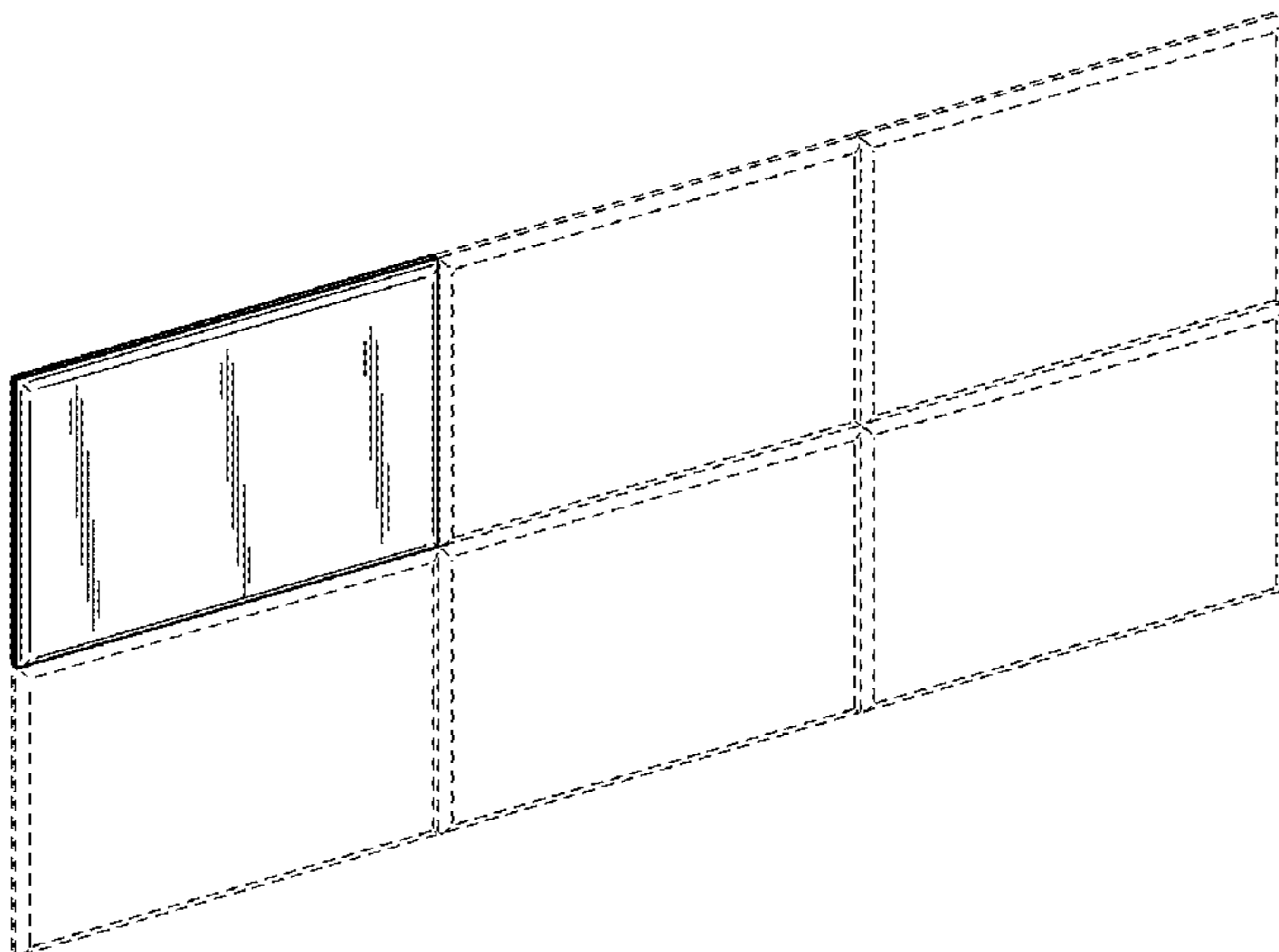
(57) **CLAIM**

I claim the ornamental design for a portable headboard panel, as shown and described.

**DESCRIPTION**

FIG. 1 is a perspective view of a portable headboard panel, showing my new design;  
 FIG. 2 is a front elevational view thereof;  
 FIG. 3 is a top plan view thereof;  
 FIG. 4 is a bottom plan view thereof;  
 FIG. 5 is a left-side elevational view thereof;  
 FIG. 6 is a right-side elevational view thereof; and,  
 FIG. 7 is a rear elevational view thereof.  
 The broken lines showing additional headboard panels in FIG. 1 and features on the rear surface of the design in FIG. 7 depict environmental matter and form no part of the claimed design.

**1 Claim, 3 Drawing Sheets**



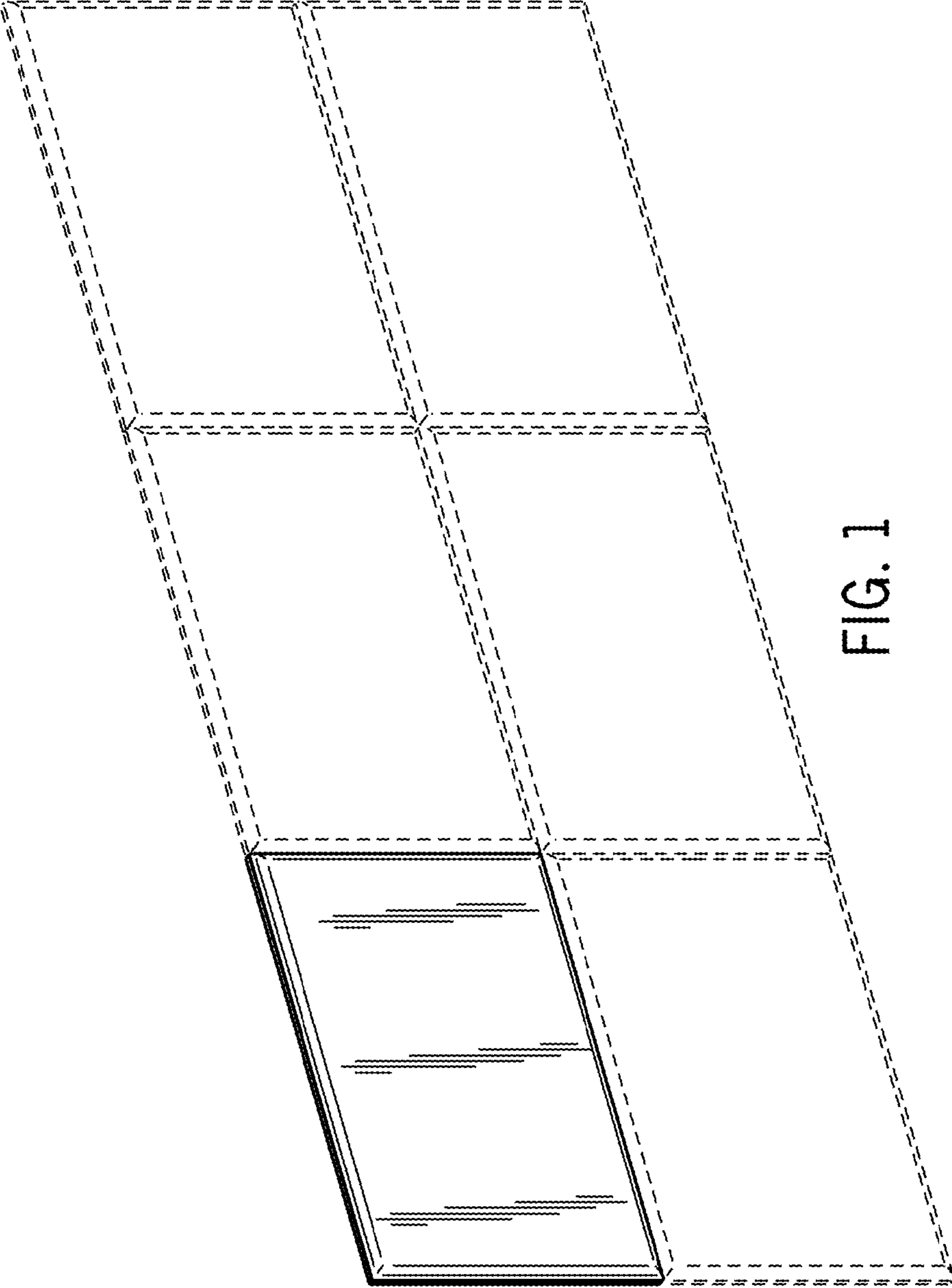


FIG. 1

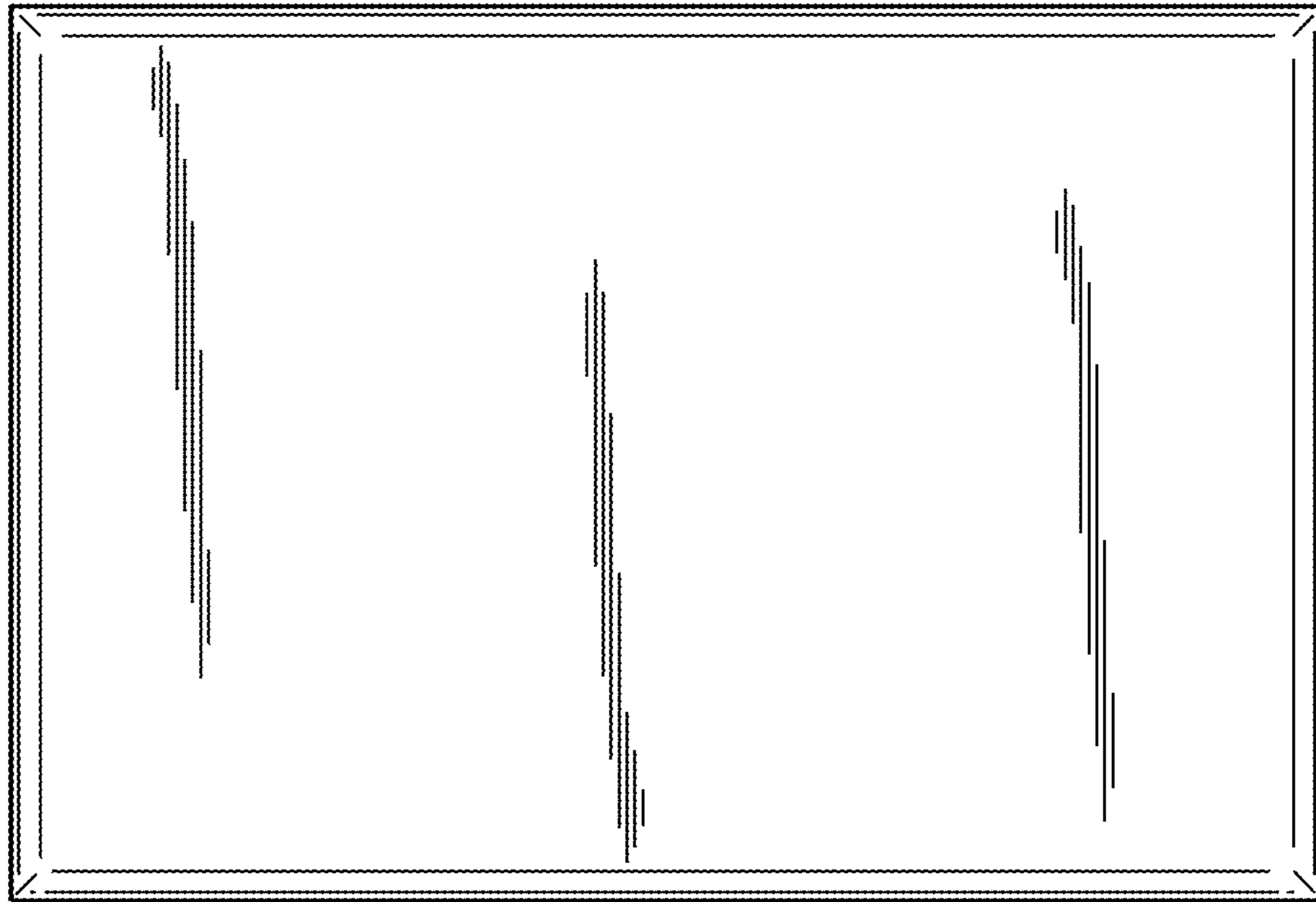


FIG. 2

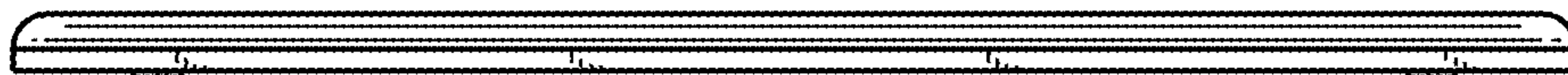


FIG. 3

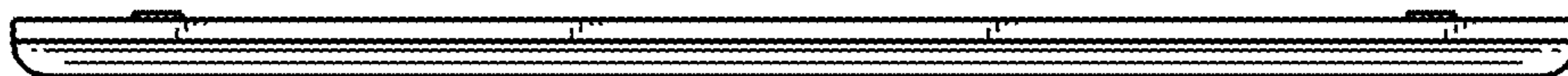


FIG. 4

FIG. 5



FIG. 6

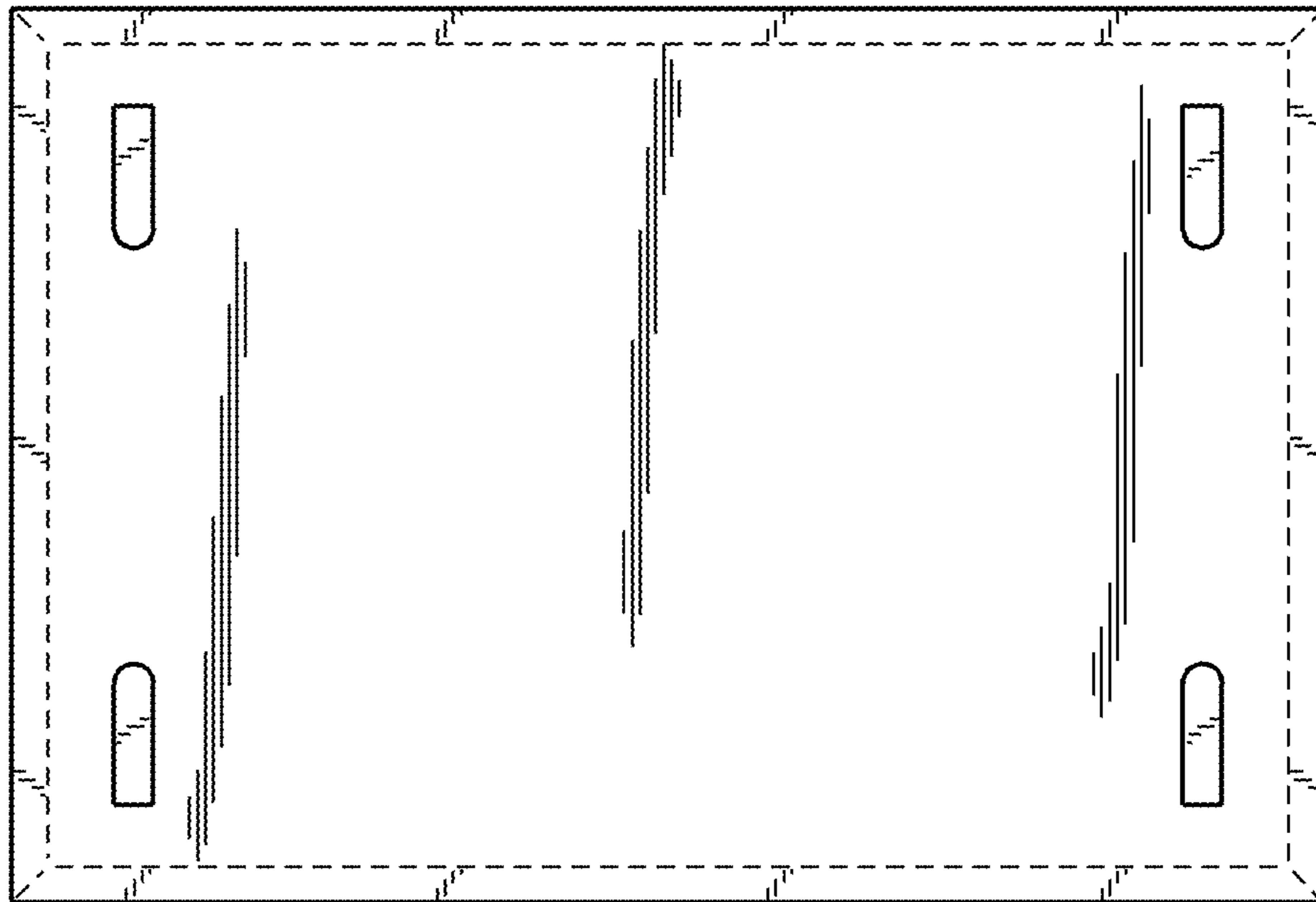


FIG. 7