



US00D681375S

(12) **United States Design Patent**  
**Boucher**

(10) **Patent No.:** **US D681,375 S**

(45) **Date of Patent:** **\*\* May 7, 2013**

(54) **HEAD SUPPORT**

*Primary Examiner* — Kelley Donnelly

(76) Inventor: **Linda Boucher**, Blainville (CA)

(57) **CLAIM**

The ornamental design for a head support, as shown and described.

(\*\*) Term: **14 Years**

(21) Appl. No.: **29/371,085**

**DESCRIPTION**

(22) Filed: **Oct. 15, 2010**

(51) **LOC (9) Cl.** ..... **06-01**

(52) **U.S. Cl.**  
USPC ..... **D6/501**

(58) **Field of Classification Search** ..... D6/334–336,  
D6/360–361, 367, 371–373, 374–375, 491–492,  
D6/500–502; 5/111, 622, 632, 638–640;  
297/31, 219.1, 354.13, 452.12, 452.63  
See application file for complete search history.

FIG. 1 is an exploded perspective view of the head support, according to my new design, here shown in an open position; FIG. 2 is an enlarged perspective view of the head support in FIG. 1;

FIG. 3 is a top elevational view of the head support in FIG. 2; FIG. 4 is a distal end elevational view of the head support in FIG. 2;

FIG. 5 is a side elevational view of the head support in FIG. 2, an opposite side elevational view being a mirror image thereof;

FIG. 6 is an exploded perspective view of the head support in FIG. 1, here shown in a closed position;

FIG. 7 is an enlarged perspective view of the head support in FIG. 6;

FIG. 8 is a top elevational view of the head support in FIG. 7; FIG. 9 is a distal end elevational view of the head support in FIG. 7; and,

FIG. 10 is a side elevational view of the head support in FIG. 7, an opposite side elevational view being a mirror image thereof.

The portions shown in broken line being for illustrative purpose only and form no part of the present design. The various shading styles that can be seen in the drawings represent varying materials.

The dash-dot-dash broken lines that define the bounds of the claimed design form no part thereof.

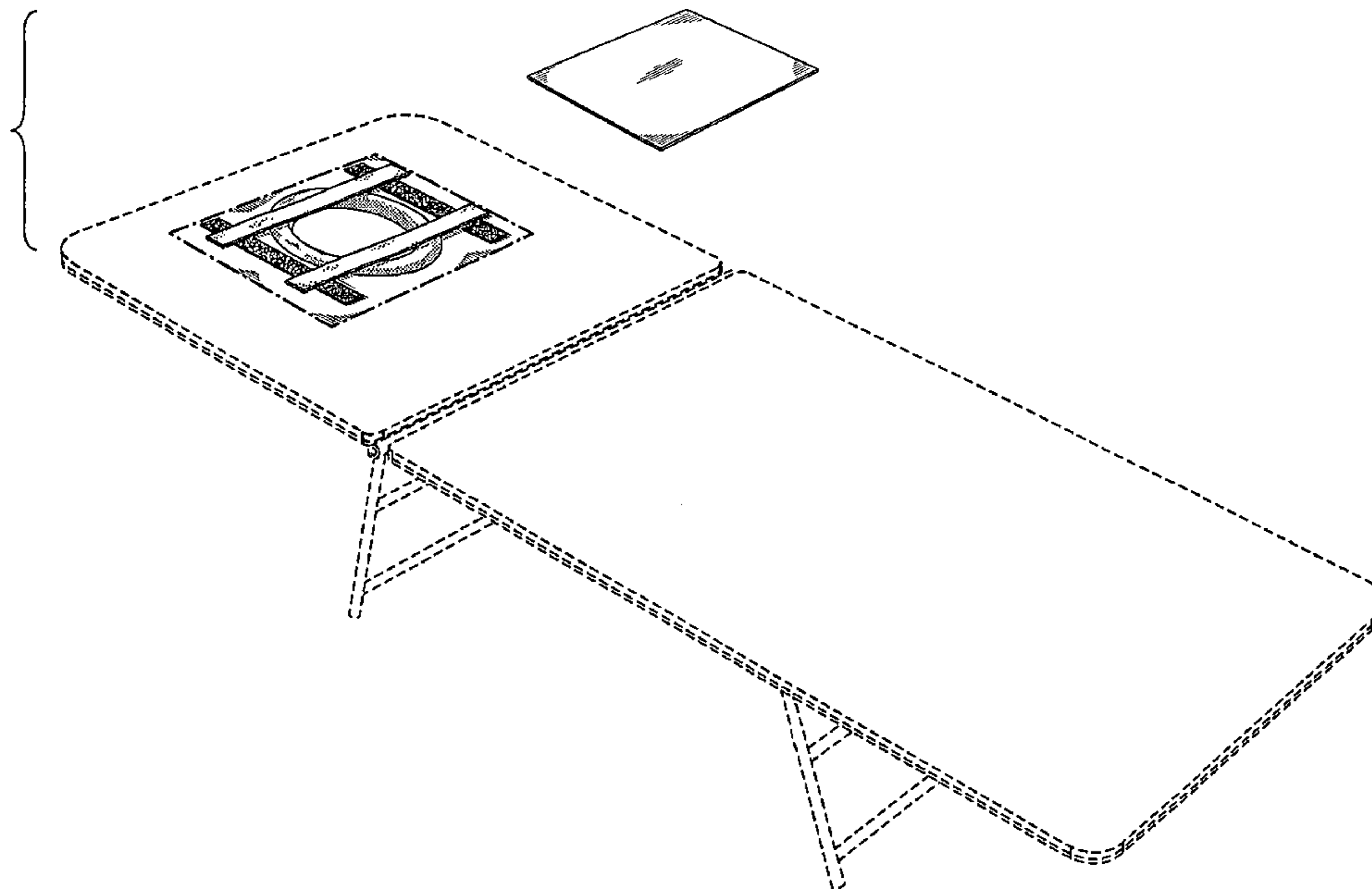
(56) **References Cited**

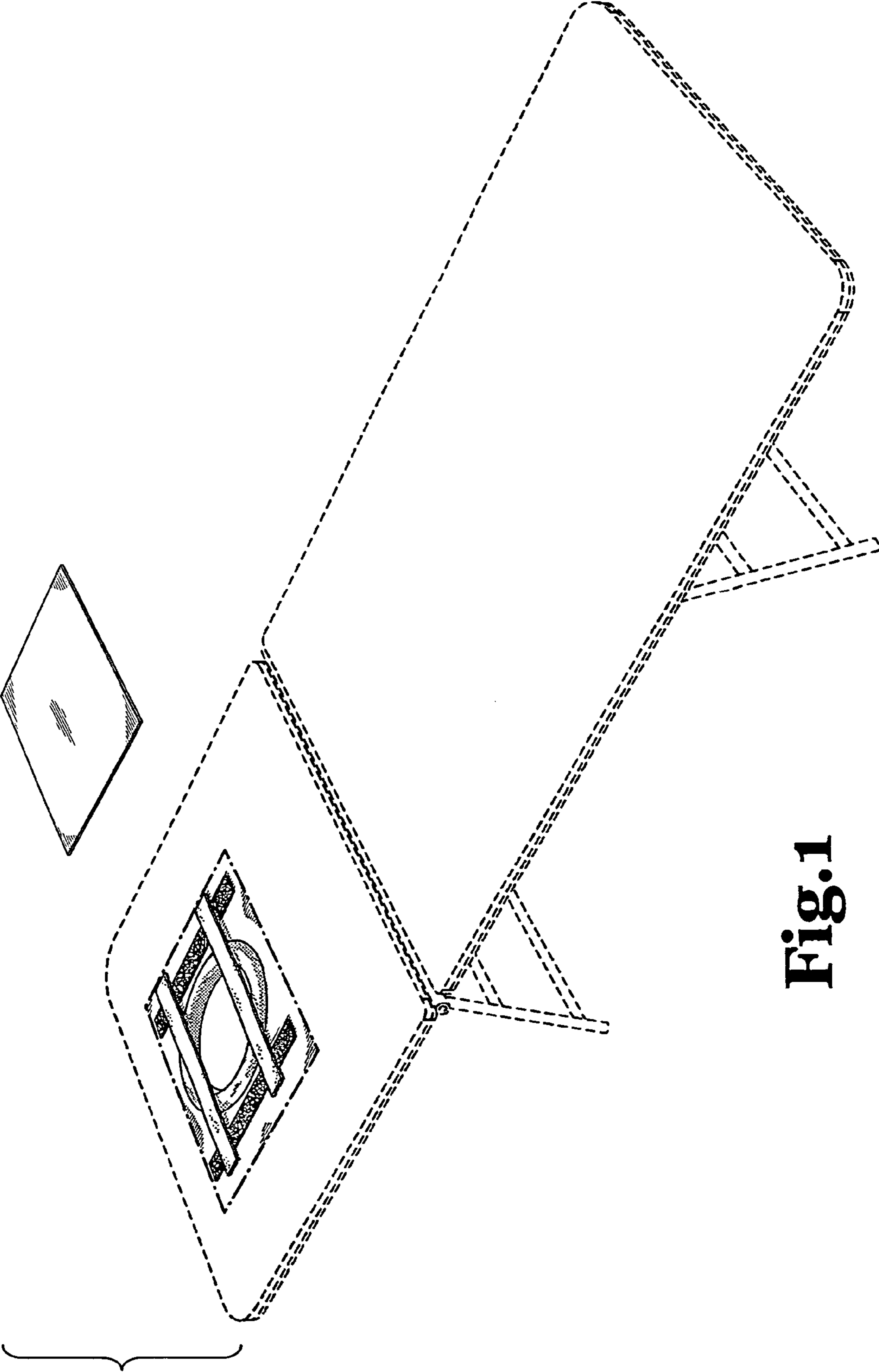
U.S. PATENT DOCUMENTS

4,393,520	A *	7/1983	Koch	2/16
D341,053	S *	11/1993	Hassel et al.	D6/601
6,042,184	A *	3/2000	Kofoed	297/391
6,068,342	A *	5/2000	Mariani et al.	297/219.1
6,081,947	A *	7/2000	Disher	5/632
D450,942	S *	11/2001	Jones	D6/361
D504,269	S *	4/2005	Faircloth	D6/601
6,935,694	B2 *	8/2005	Turner	297/354.13
D533,001	S *	12/2006	Hertlein	D6/502
D534,026	S *	12/2006	Henderson	D6/601
D554,262	S *	10/2007	Follweiler	D24/184
D606,328	S *	12/2009	Clayton	D6/361
D612,187	S *	3/2010	Visco	D6/604
7,963,592	B1 *	6/2011	Stanley	297/31
D656,234	S *	3/2012	Keeney et al.	D24/190
D657,169	S *	4/2012	Pratt	D6/501

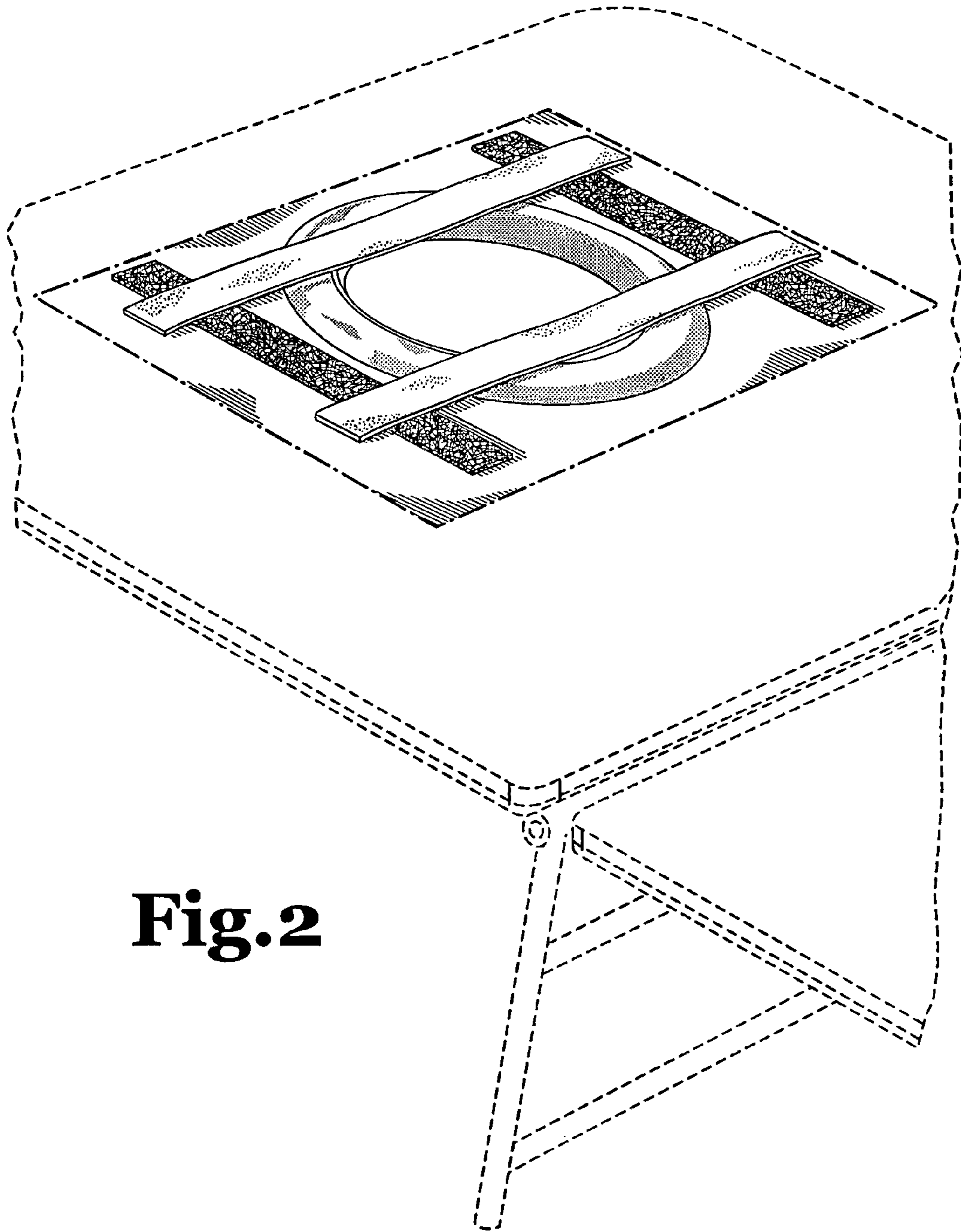
\* cited by examiner

**1 Claim, 10 Drawing Sheets**

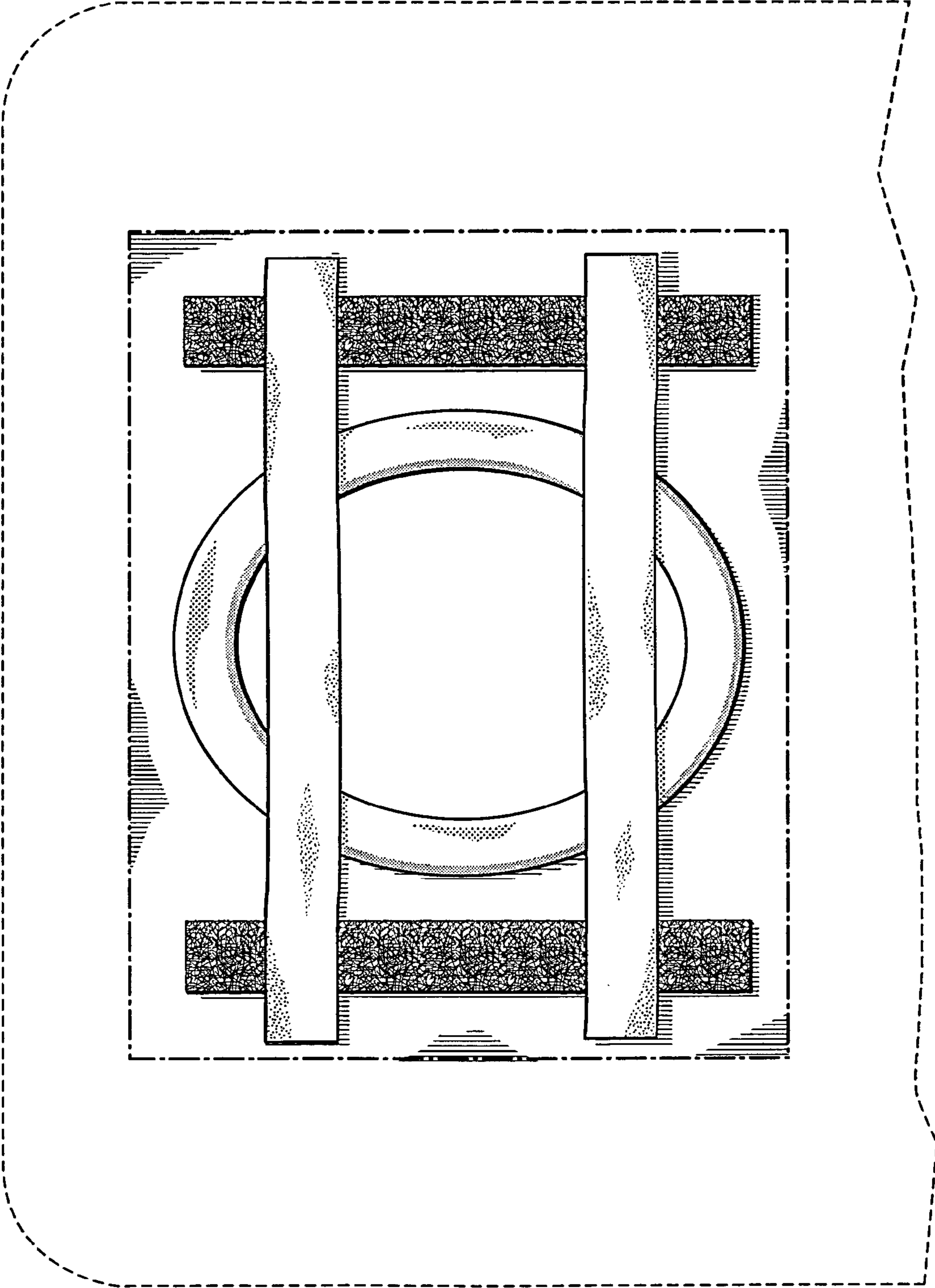




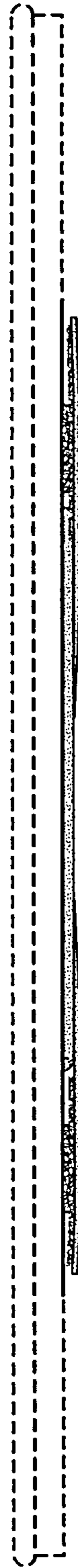
**Fig.1**



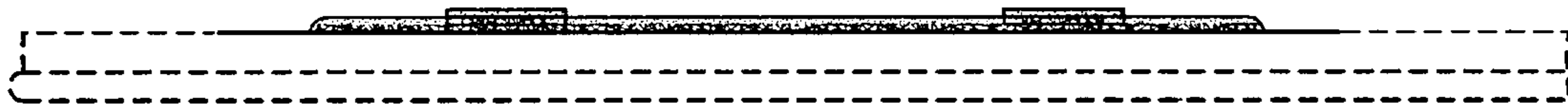
**Fig. 2**



**Fig.3**



**Fig.4**



**Fig.5**

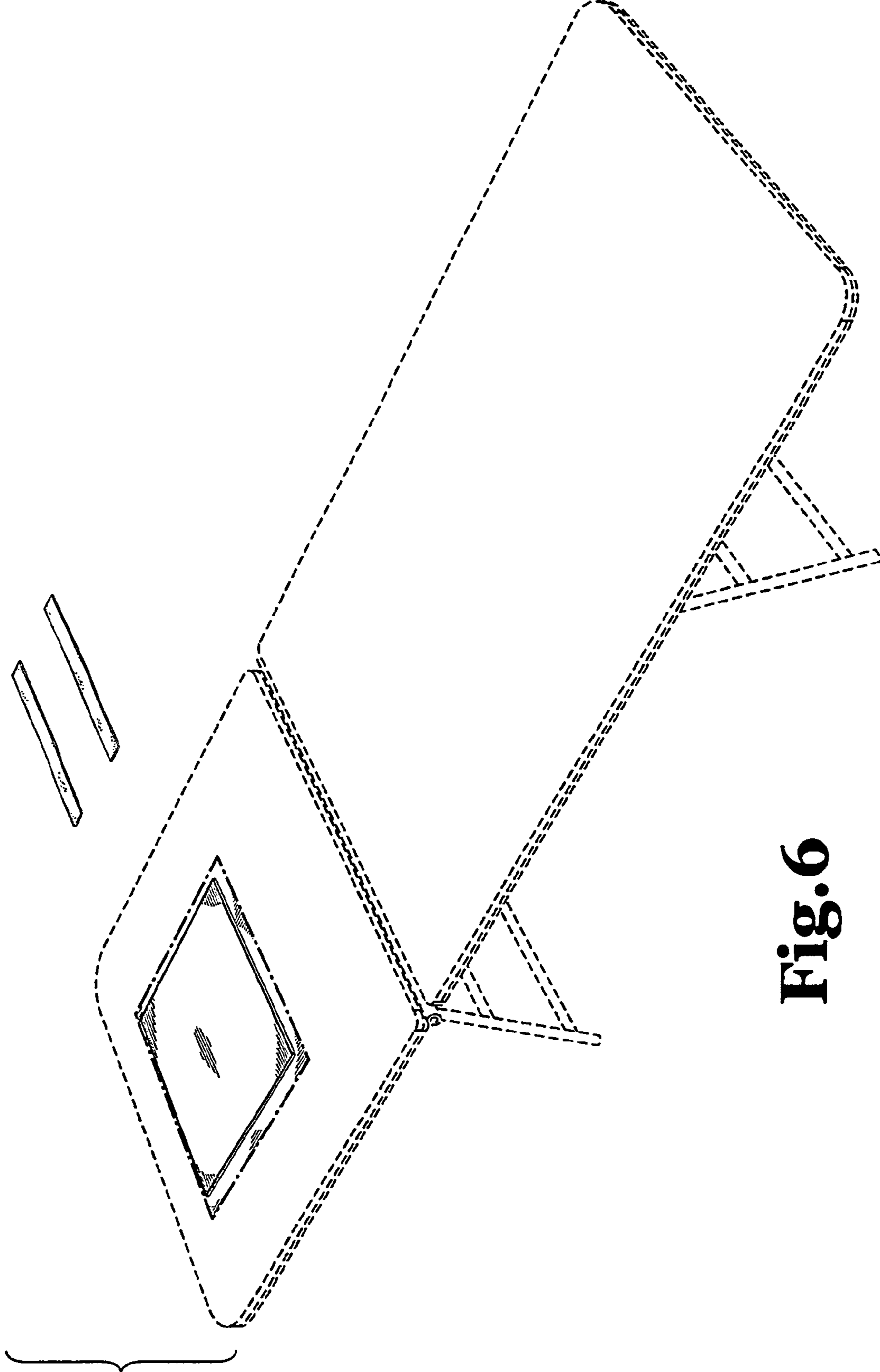
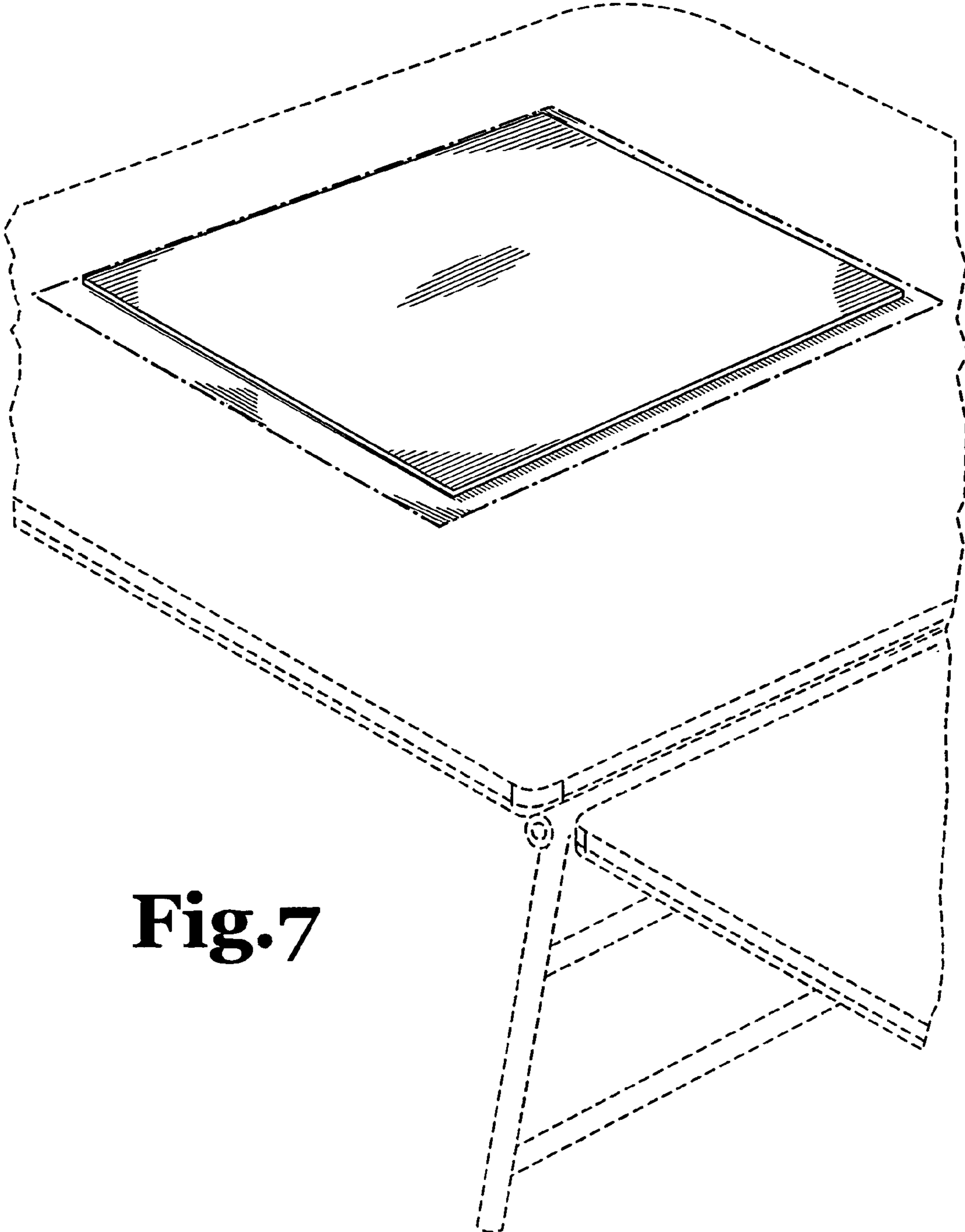
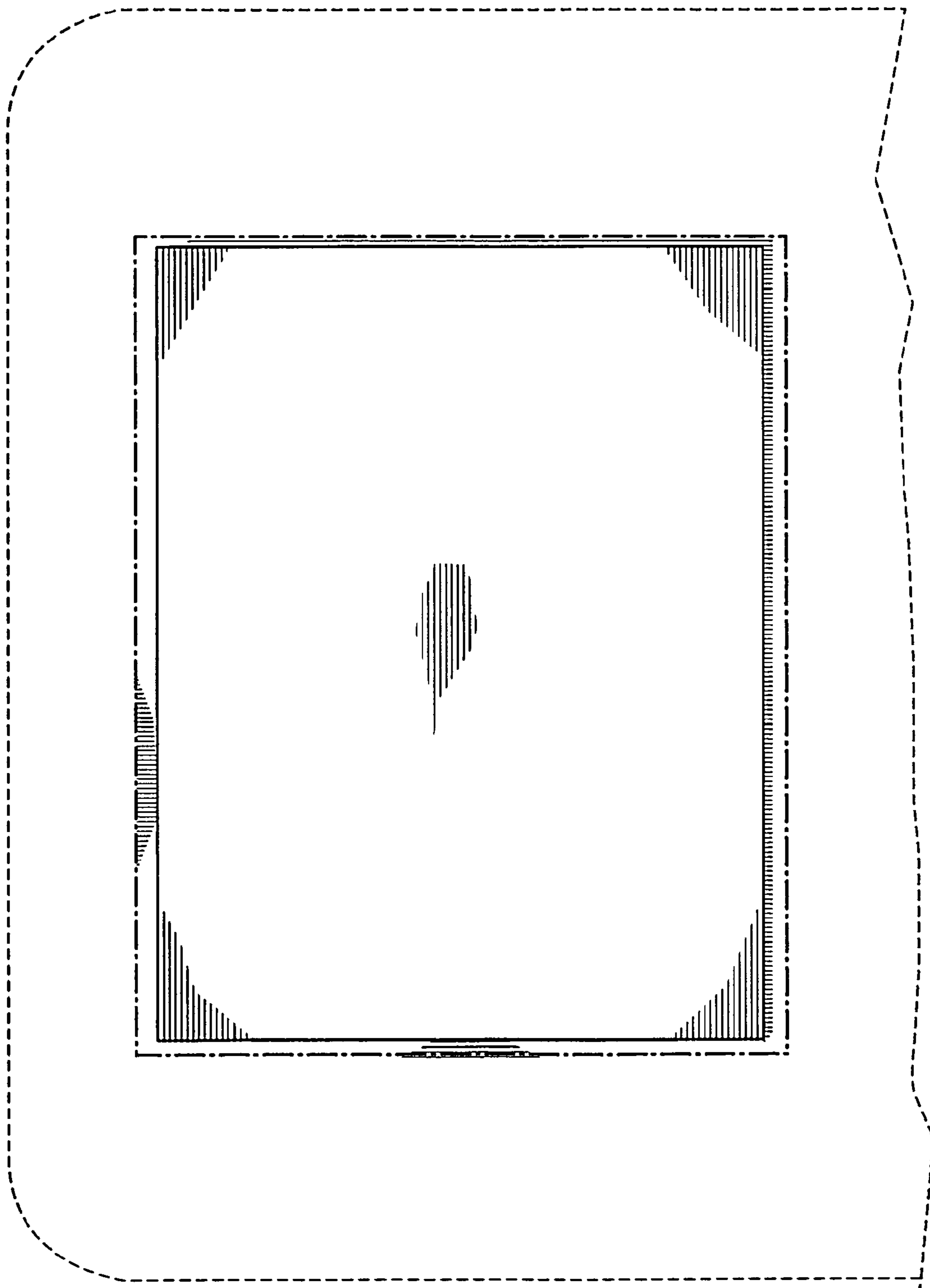


Fig. 6



**Fig.7**

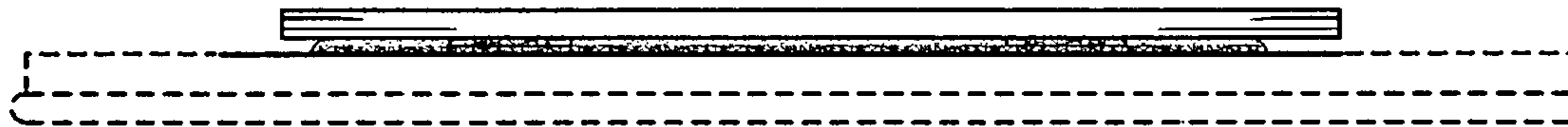




**Fig.8**



**Fig.9**



**Fig.10**