



US00D681374S

(12) **United States Design Patent**  
**Gasser**

(10) **Patent No.:** **US D681,374 S**  
(45) **Date of Patent:** **\*\* May 7, 2013**

- (54) **FINGER GRIP FOR FURNITURE**
- (75) Inventor: **Gregory L. Gasser**, Girard, OH (US)
- (73) Assignee: **Gasser Chair Company, Inc.**,  
Youngstown, OH (US)
- (\*\*) Term: **14 Years**
- (21) Appl. No.: **29/392,490**
- (22) Filed: **May 23, 2011**
- (51) **LOC (9) Cl.** ..... **06-01**
- (52) **U.S. Cl.**  
USPC ..... **D6/500**
- (58) **Field of Classification Search** ..... D6/334–336,  
D6/366–368, 374, 379–380, 491–492, 500–502;  
D3/307–308, 315–317, 321–322; 297/183.1,  
297/183.7, 301.1, 353  
See application file for complete search history.

D395,456 S *	6/1998	Ito et al.	.....	D20/42
D410,151 S *	5/1999	Chu	.....	D6/366
D411,793 S *	7/1999	O'Neil	.....	D8/305
D414,100 S *	9/1999	O'Neil	.....	D8/314
D416,465 S *	11/1999	O'Neil	.....	D8/314
D421,187 S	2/2000	Kaiser		
D422,158 S	4/2000	Newhouse		
6,089,666 A	7/2000	Rosko		
D430,762 S	9/2000	Laufer et al.		
6,113,189 A	9/2000	Bennett et al.		
6,116,695 A	9/2000	Heidmann et al.		
6,126,235 A	10/2000	Grove		
6,131,993 A	10/2000	Pesta et al.		
D474,358 S *	5/2003	Kita	.....	D6/500
D501,785 S *	2/2005	Mogus	.....	D8/313
D502,013 S	2/2005	Kaiser		
7,040,711 B2	5/2006	DeKraker et al.		
D522,776 S	6/2006	Williams et al.		

(Continued)

*Primary Examiner* — Kelley Donnelly  
(74) *Attorney, Agent, or Firm* — Lerner, David, Littenberg,  
Krumholz & Mentlik, LLP

(56) **References Cited**

U.S. PATENT DOCUMENTS

648,927 A	5/1900	Davis		
1,118,530 A	11/1914	Olay		
1,928,939 A	10/1933	Larsen		
1,988,638 A	1/1935	Van Deest		
2,021,120 A	11/1935	Wilkins		
2,675,060 A	4/1954	Strand		
2,808,875 A	10/1957	Bargen		
D206,713 S	1/1967	Durko		
D279,152 S	6/1985	Murry		
D279,443 S	7/1985	Diffrient		
D297,808 S *	9/1988	King	.....	D8/313
D315,836 S	4/1991	Kaiser		
5,040,848 A	8/1991	Irie et al.		
D319,773 S *	9/1991	Magnin et al.	.....	D8/319
5,451,092 A	9/1995	Gray		
D364,744 S	12/1995	Hutton		
5,507,559 A	4/1996	Lance		
D384,570 S *	10/1997	Edwards	.....	D8/307
D390,370 S	2/1998	Grosfillex		

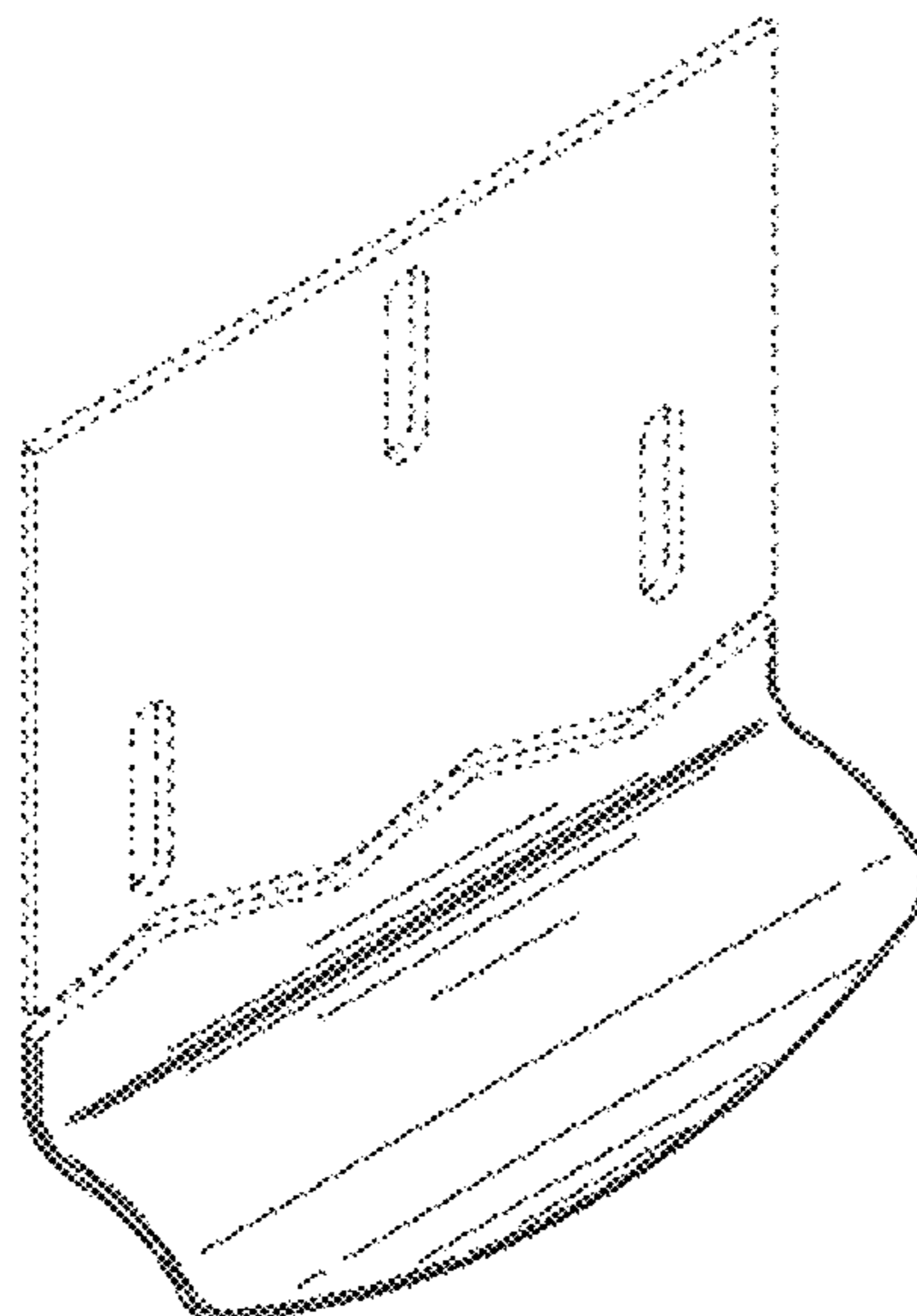
(57) **CLAIM**

I claim the ornamental design for a finger grip for furniture, as shown and described.

**DESCRIPTION**

FIG. 1 is a top perspective view of a finger grip for furniture showing my new design;  
FIG. 2 is a front view thereof;  
FIG. 3 is a back view thereof;  
FIG. 4 is a left side plan view thereof, the right side being a mirror image thereof;  
FIG. 5 is a top plan view thereof; and,  
FIG. 6 is a bottom plan view thereof.  
The broken lines showing in FIGS. 1 through 5 are for the purpose of illustrating the environment of the design and form no part of the claimed design.

**1 Claim, 3 Drawing Sheets**



# US D681,374 S

Page 2

## U.S. PATENT DOCUMENTS

D529,735	S	10/2006	Chen				
D579,308	S *	10/2008	Matijevic	.....	D8/313		
D584,128	S *	1/2009	Ricereto	.....	D8/313		
7,488,034	B2	2/2009	Ohren et al.				
D589,325	S *	3/2009	Mattson et al.	.....	D8/313		
D590,233	S *	4/2009	Matijevic	.....	D8/314		
D597,394	S *	8/2009	Menzies	.....	D8/313		
D597,819	S *	8/2009	Matijevic	.....	D8/313		
7,571,960	B2	8/2009	Williams et al.				
D618,005	S *	6/2010	Heltemes et al.	.....	D6/375		
7,891,617	B2 *	2/2011	Tisbo	.....	248/220.22		
D642,395	S *	8/2011	Bladh et al.	.....	D6/372		
D646,091	S *	10/2011	Welsh	.....	D6/502		
D649,267	S *	11/2011	Apgood et al.	.....	D25/138		
D649,858	S *	12/2011	Hall	.....	D8/322		
D657,155	S *	4/2012	Grandin et al.	.....	D6/381		
2005/0104421	A1	5/2005	Astle et al.				
2005/0189798	A1	9/2005	Strong				
2008/0157570	A1 *	7/2008	Williams et al.	.....	297/183.7		
2009/0045656	A1	2/2009	Chen et al.				
2009/0145867	A1 *	6/2009	Apgood et al.	.....	211/94.01		

\* cited by examiner

FIG. 1

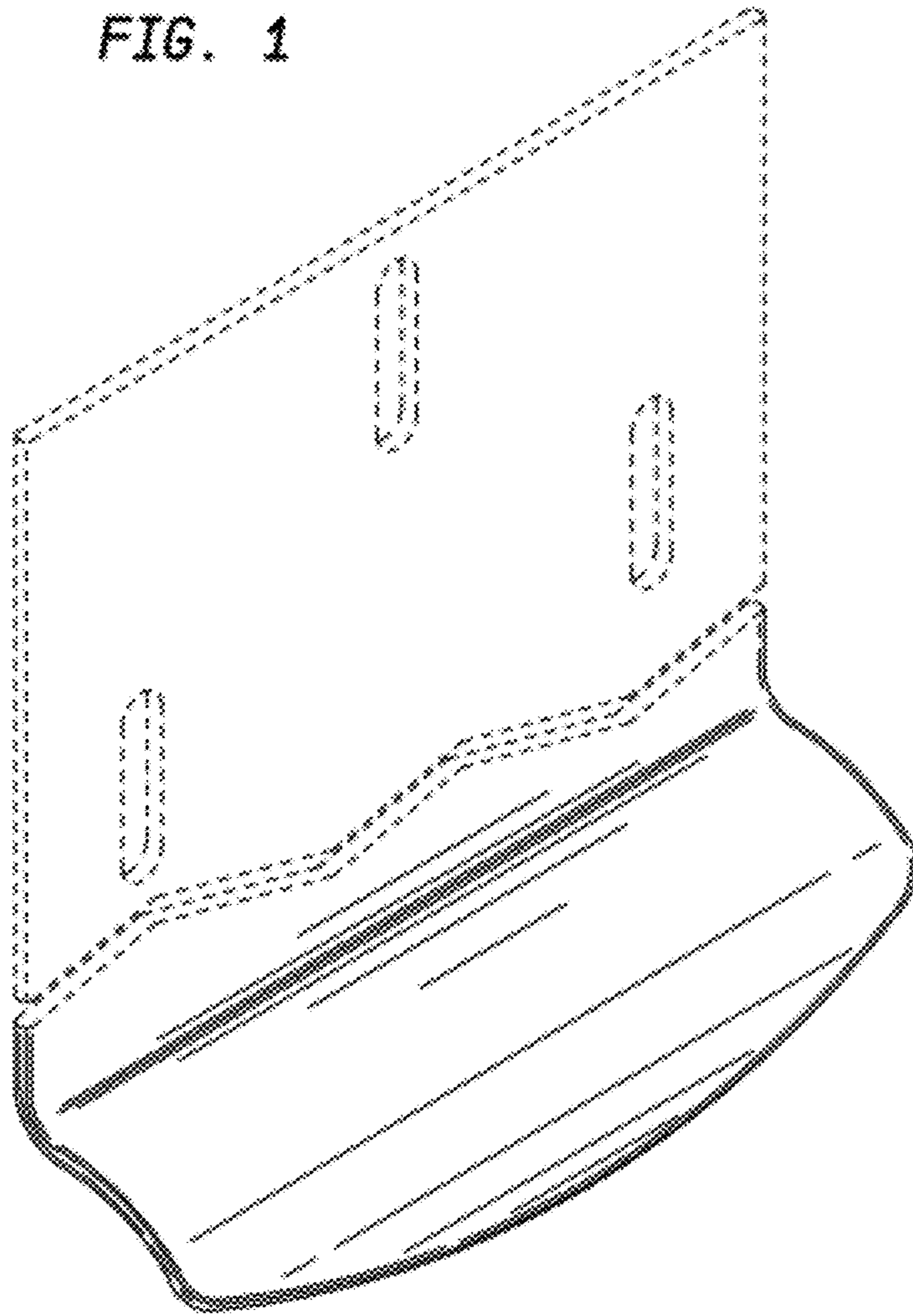


FIG. 2

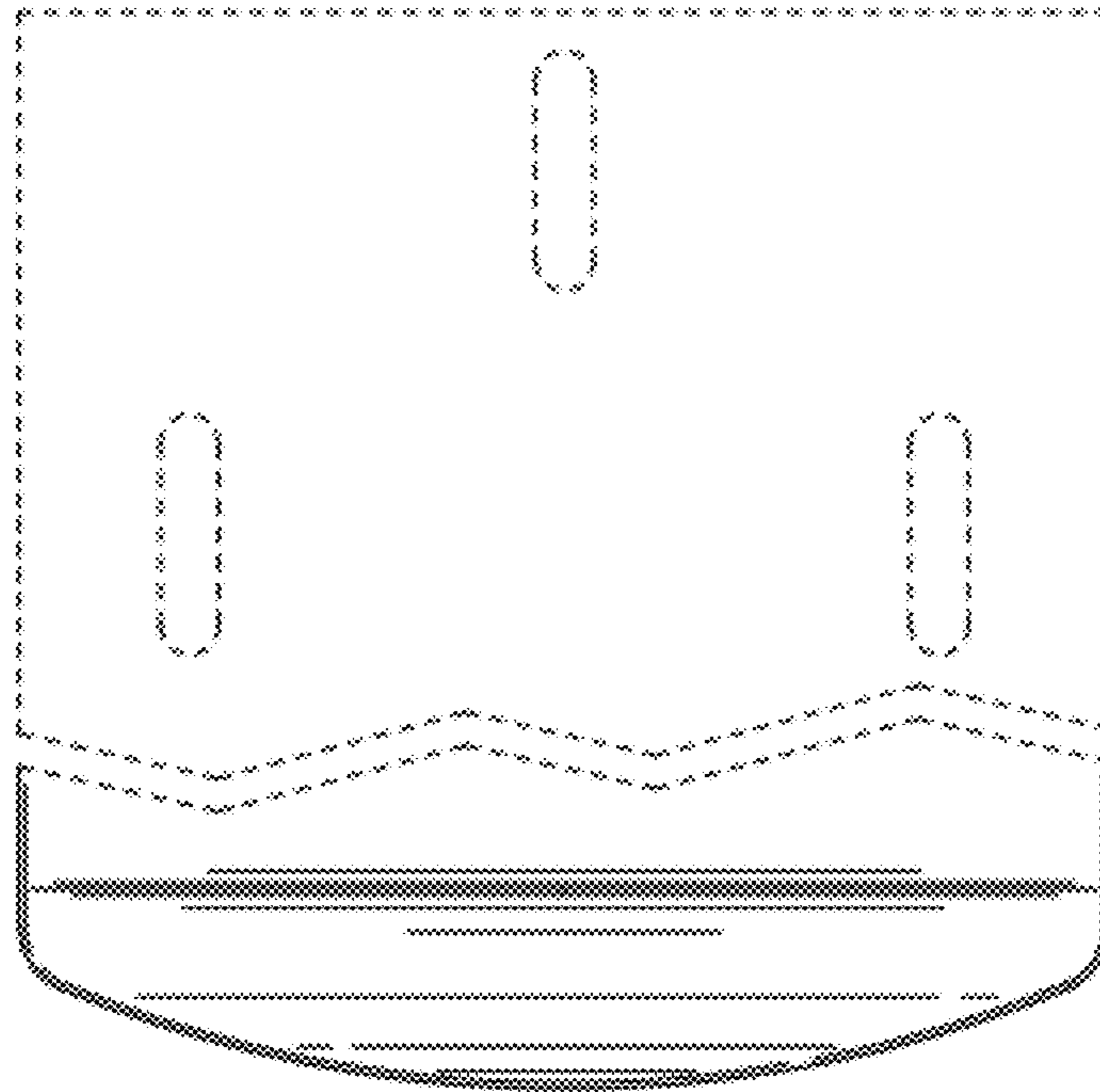


FIG. 3

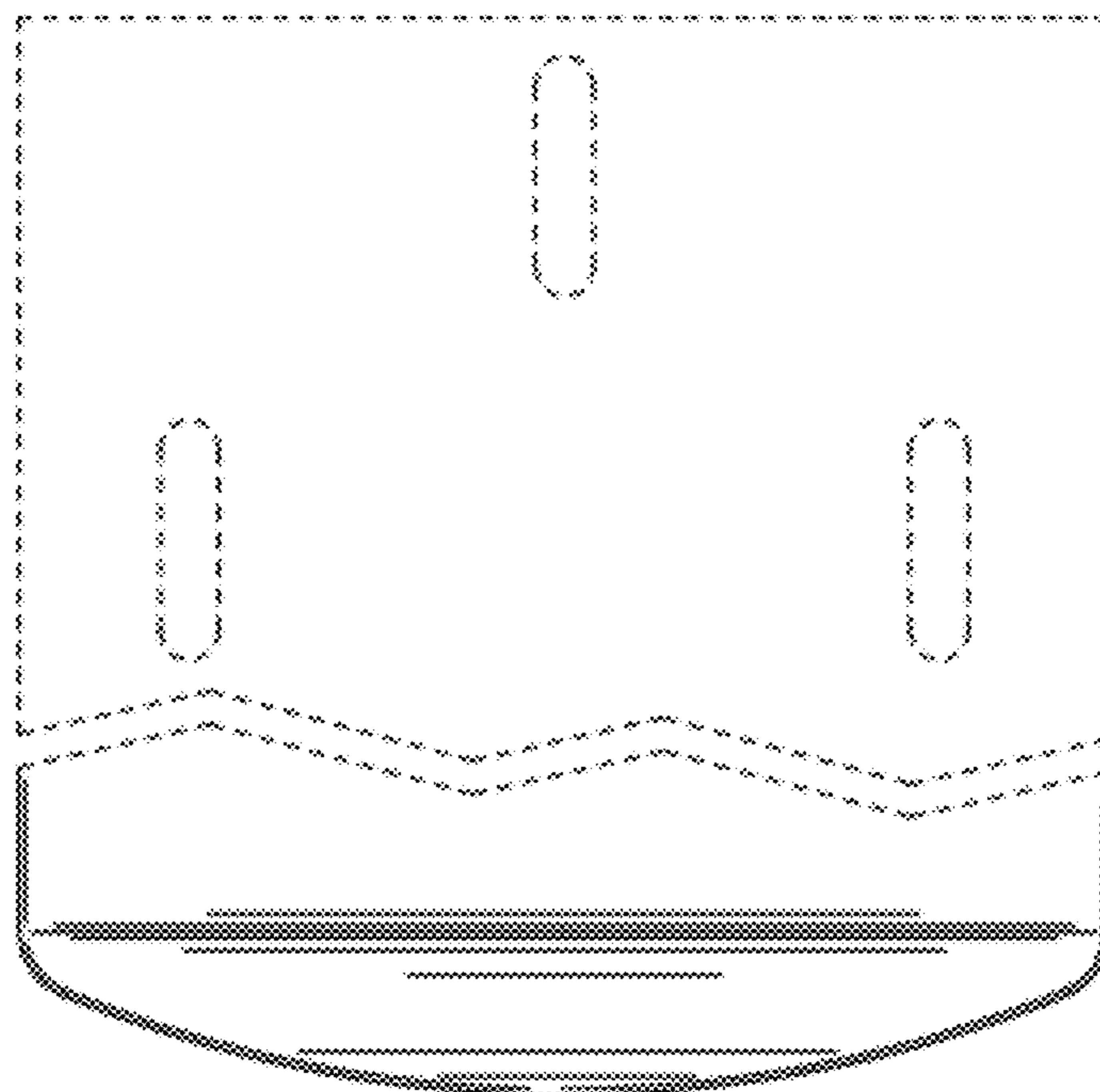


FIG. 4

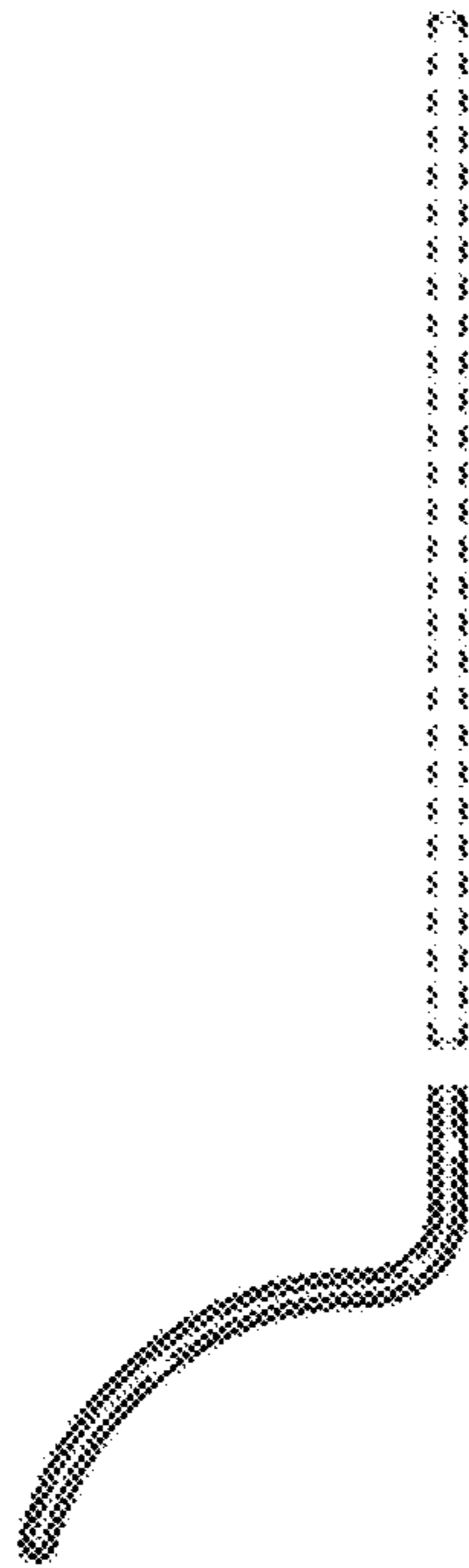


FIG. 5

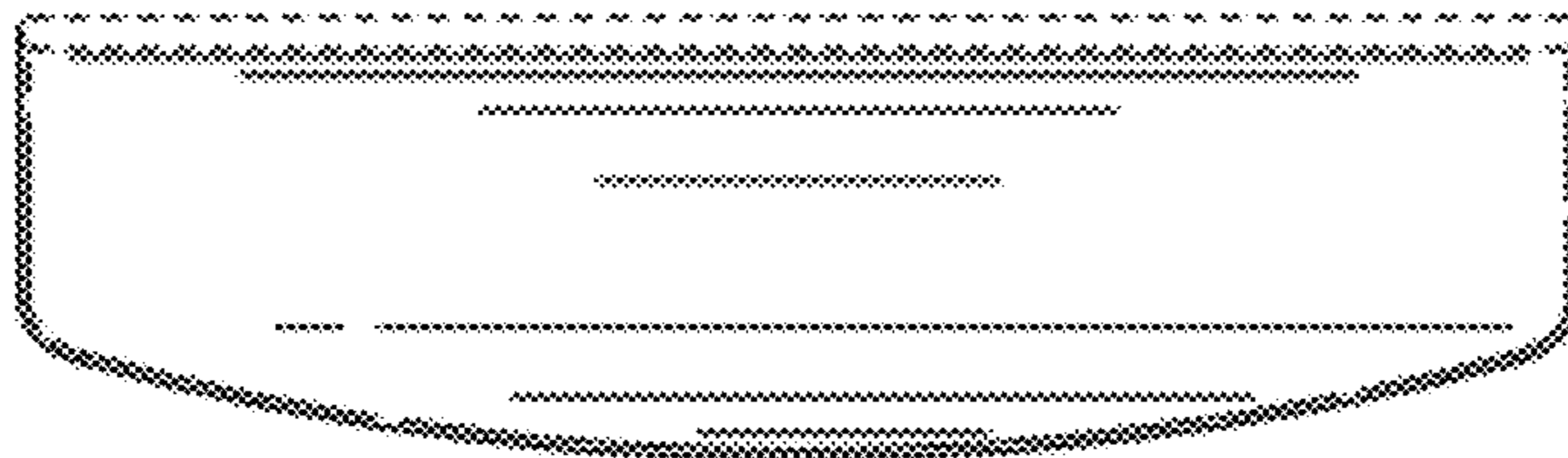


FIG. 6

