



US00D681372S

(12) **United States Design Patent**  
**Hundley**

(10) **Patent No.:** **US D681,372 S**

(45) **Date of Patent:** **\*\* May 7, 2013**

(54) **STAND FOR FOOD SERVICE**

(71) Applicant: **The Vollrath Company, L.L.C.**,  
Sheboygan, WI (US)

(72) Inventor: **Jill E. Hundley**, Sheboygan, WI (US)

(73) Assignee: **The Vollrath Company, L.L.C.**,  
Sheboygan, WI (US)

(\*\*) Term: **14 Years**

(21) Appl. No.: **29/437,014**

(22) Filed: **Nov. 12, 2012**

(51) **LOC (9) Cl.** ..... **06-06**

(52) **U.S. Cl.**  
USPC ..... **D6/492**

(58) **Field of Classification Search** ..... D6/449,  
D6/491-492, 495-496, 509-511, 466; 248/188.7,  
248/176.1, 170, 435, 443; D7/611; 211/85.6,  
211/134

See application file for complete search history.

(56) **References Cited**

U.S. PATENT DOCUMENTS

D294,788 S \* 3/1988 Cautereels et al. .... D6/513  
D321,300 S \* 11/1991 Postic ..... D6/511

D355,552 S \* 2/1995 Whited et al. .... D6/513  
D356,468 S \* 3/1995 Beck et al. .... D6/406.5  
D361,447 S \* 8/1995 Moore ..... D6/462  
D400,565 S \* 11/1998 Ahl ..... D17/22  
D514,057 S \* 1/2006 Borunda et al. .... D12/426.1  
D519,913 S \* 5/2006 Emerson ..... D12/407

\* cited by examiner

*Primary Examiner* — Kelley Donnelly

(74) *Attorney, Agent, or Firm* — Foley & Lardner LLP

(57) **CLAIM**

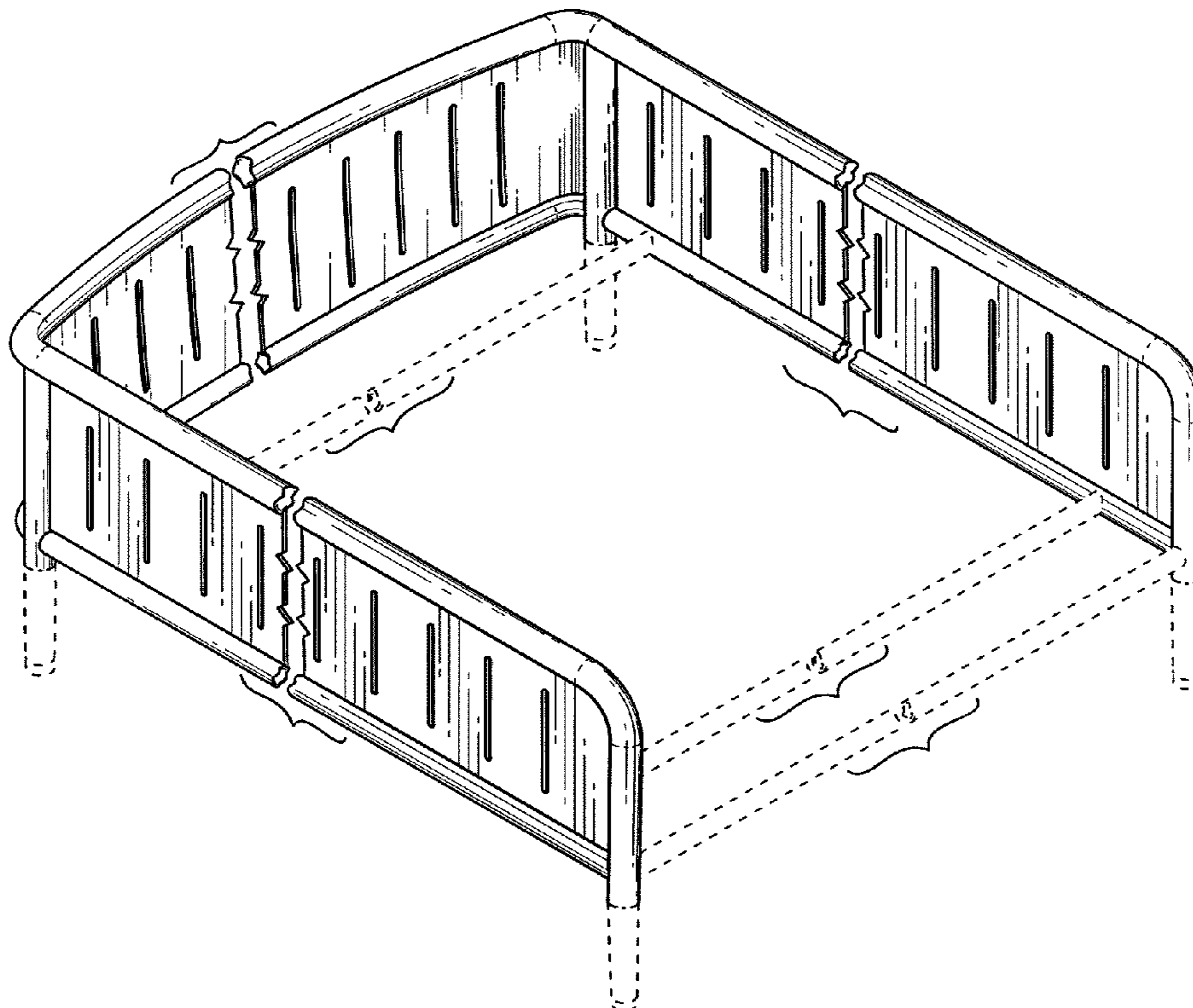
I claim the ornamental design for a stand for food service, as shown and described.

**DESCRIPTION**

FIG. 1 is a perspective view of the claimed design;  
FIG. 2 is a front view thereof;  
FIG. 3 is a rear view thereof;  
FIG. 4 is a right side view thereof;  
FIG. 5 is a left side view thereof;  
FIG. 6 is a top view thereof; and,  
FIG. 7 is a bottom view thereof.

The broken lines in the drawings are for illustrative purposes only and form no part of the claimed design.

**1 Claim, 5 Drawing Sheets**



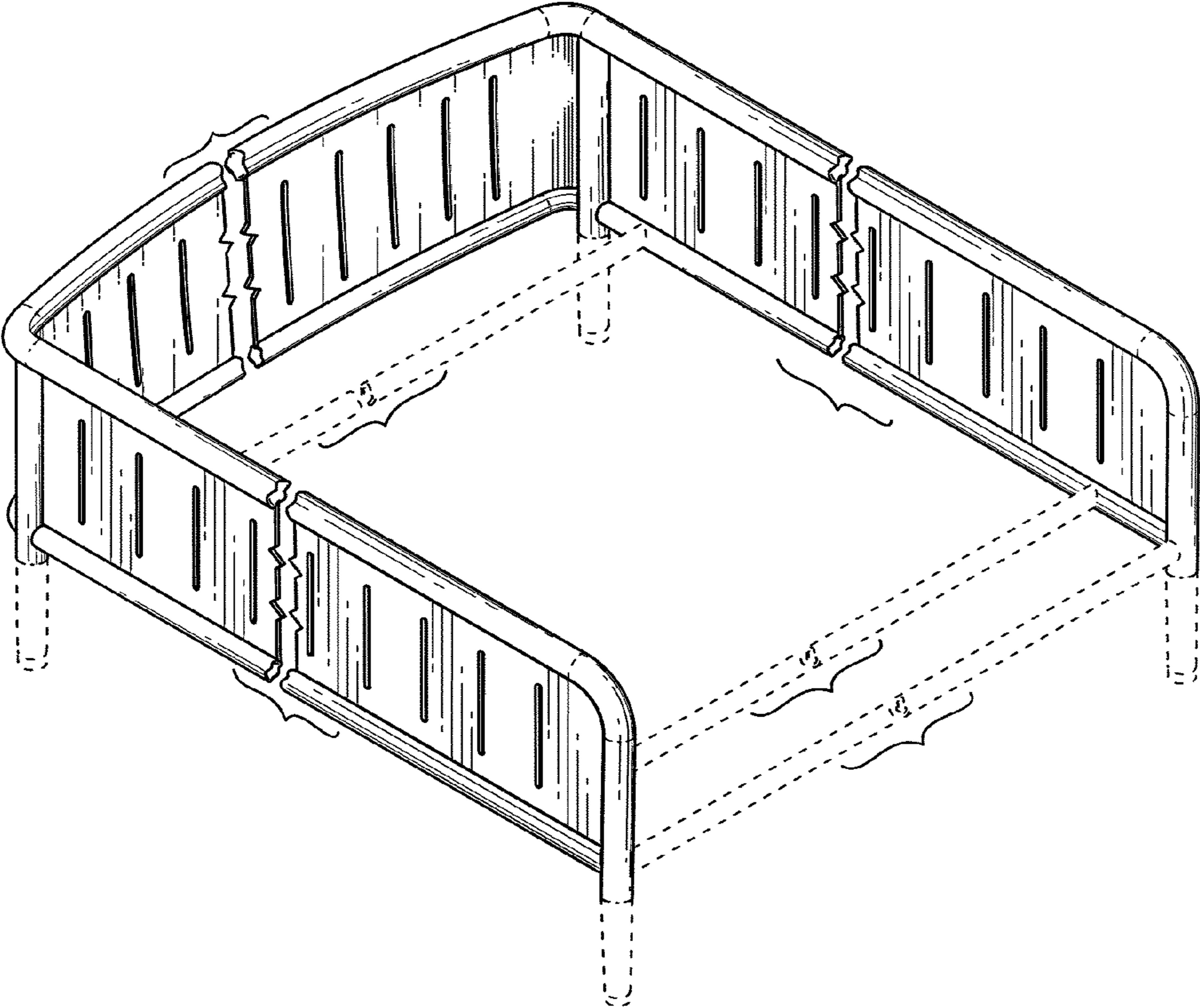


FIG. 1

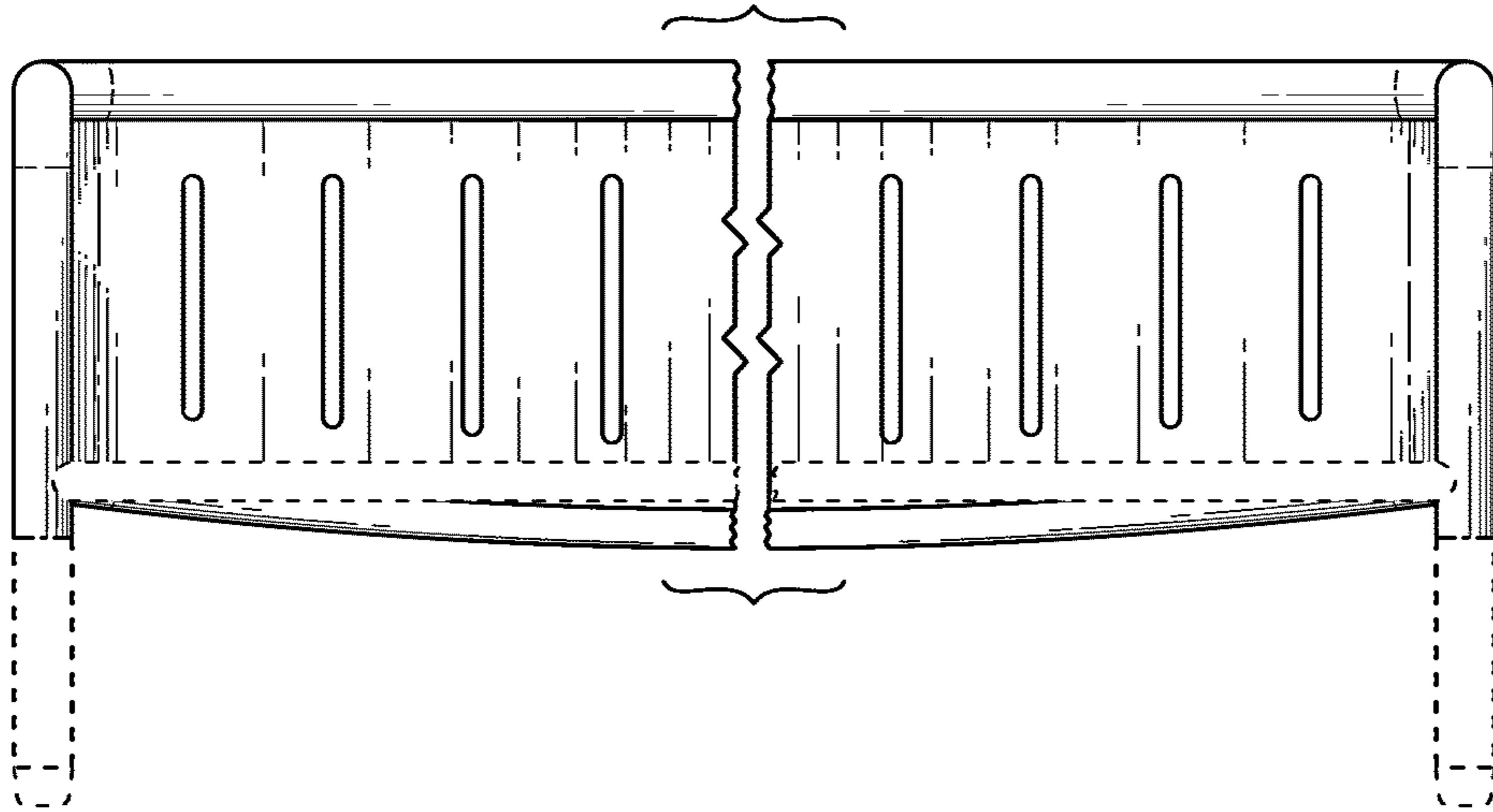


FIG. 2

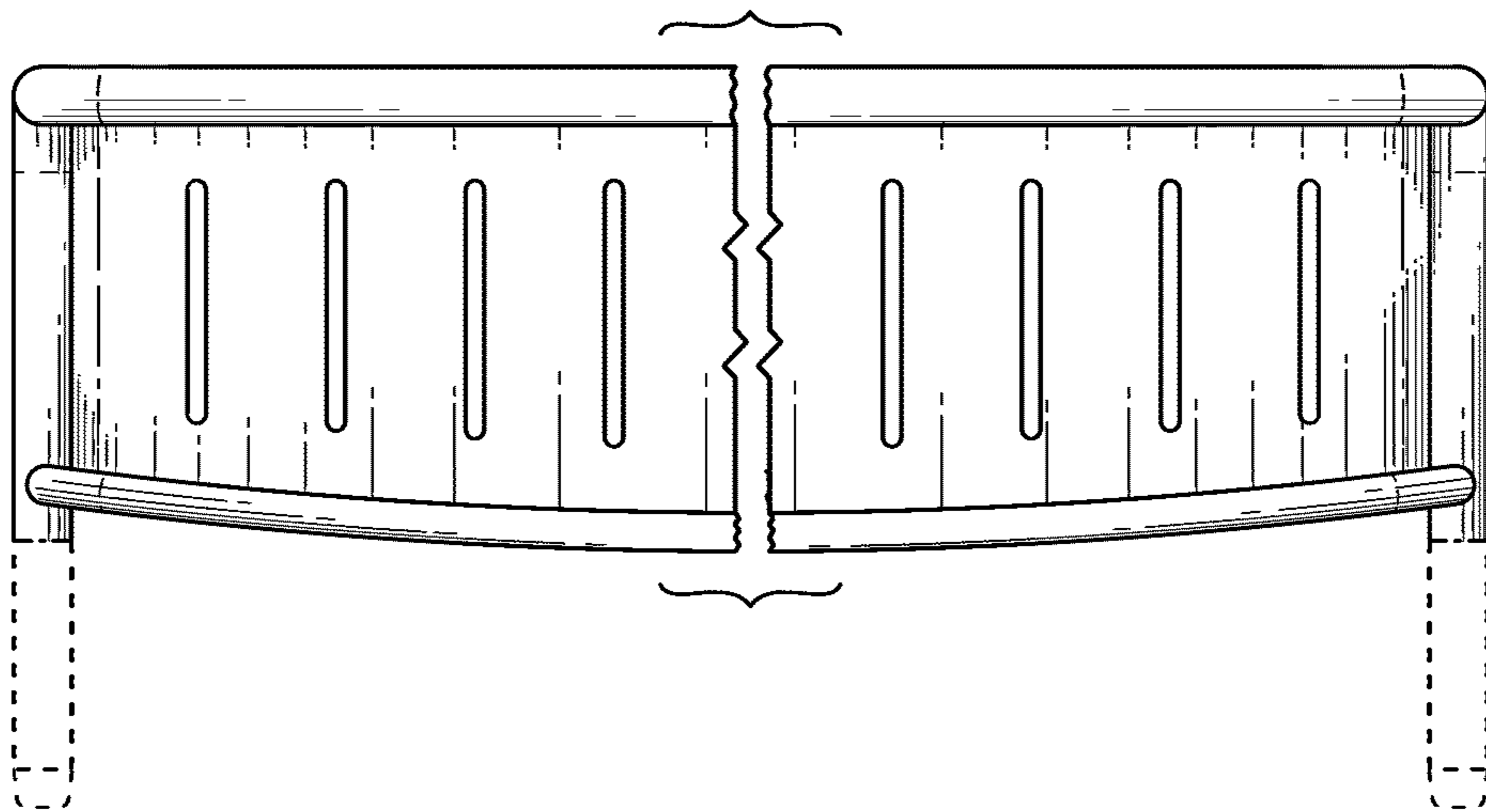


FIG. 3

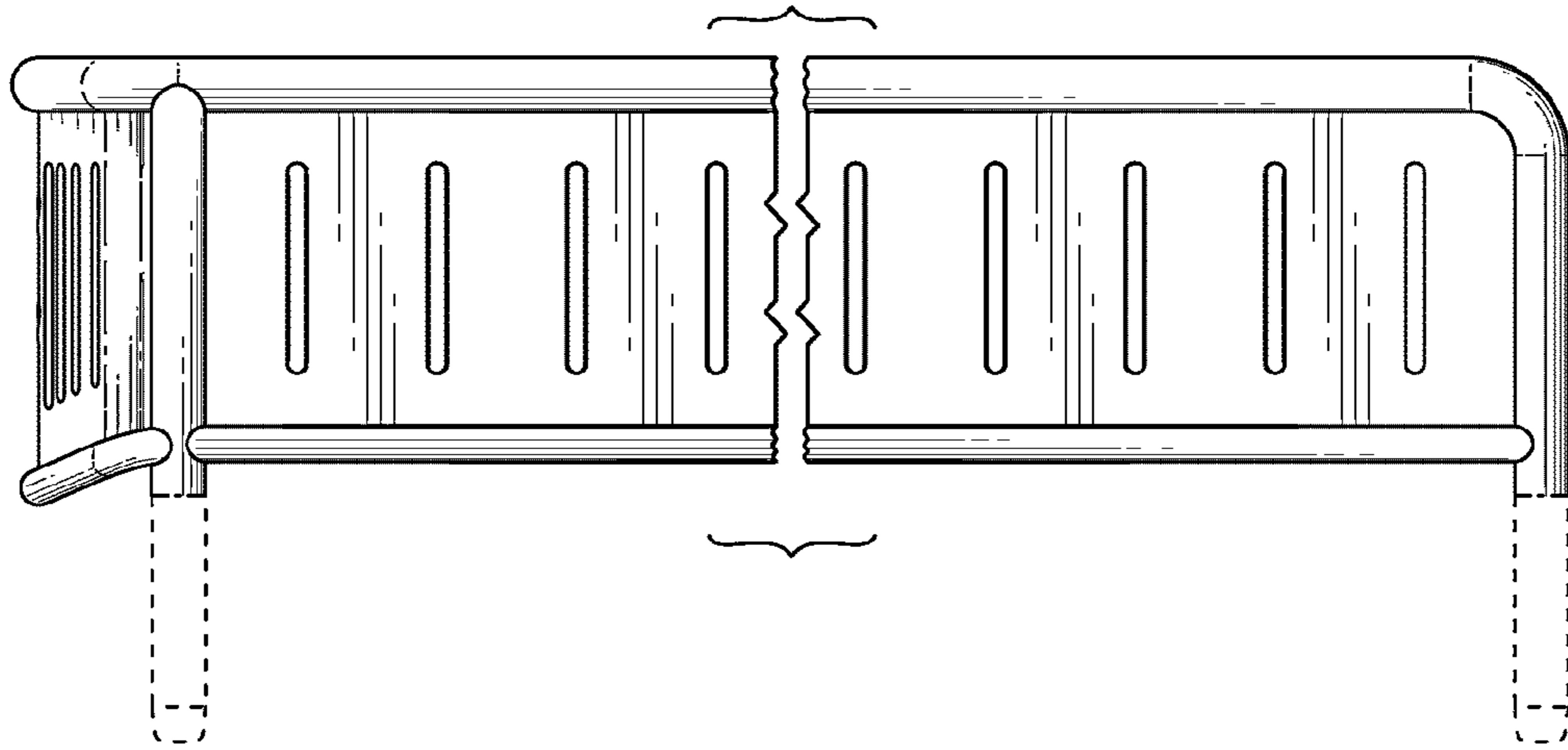


FIG. 4

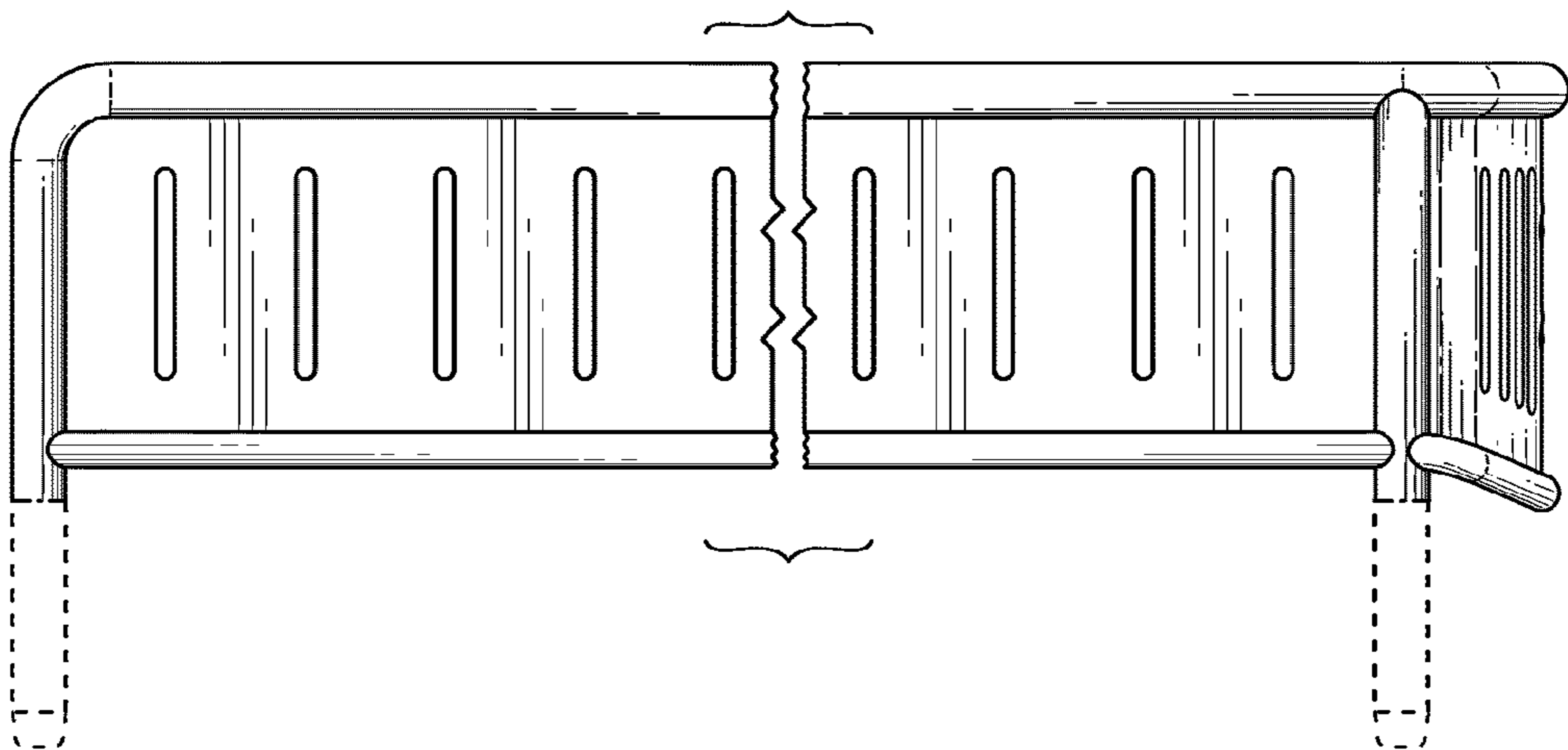


FIG. 5

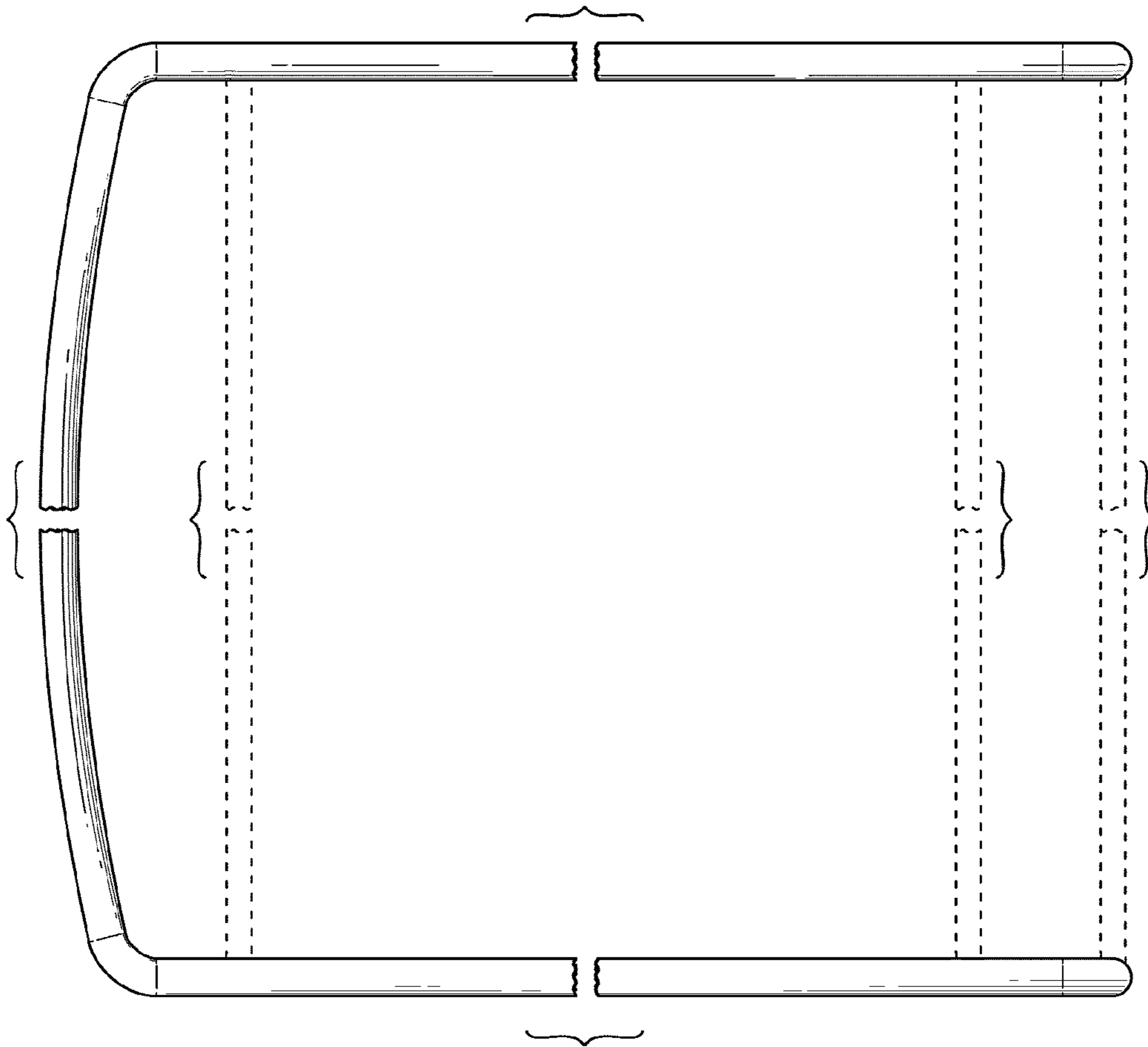


FIG. 6

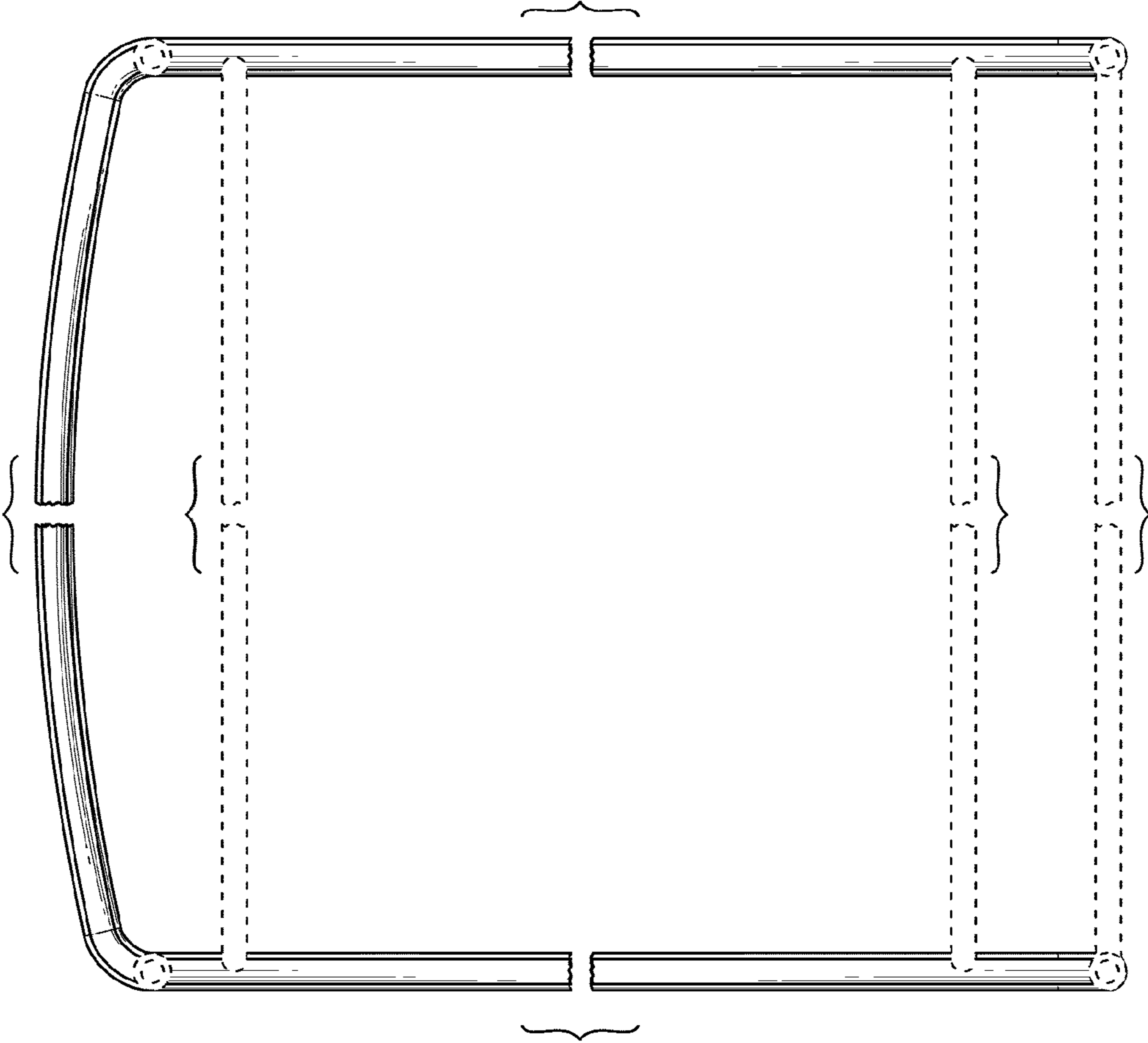


FIG. 7