

US00D681369S

(12) **United States Design Patent**
Chung

(10) **Patent No.:** **US D681,369 S**

(45) **Date of Patent:** **** May 7, 2013**

(54) **AUDIO VIDEO SHELVING UNIT**

(75) Inventor: **Sheng-Chi Chung**, Dongguan (CN)

(73) Assignee: **Bell'O International Corp.**,
Morganville, NJ (US)

(**) Term: **14 Years**

(21) Appl. No.: **29/410,114**

(22) Filed: **Jan. 4, 2012**

(51) **LOC (9) Cl.** **06-06**

(52) **U.S. Cl.** **D6/479**

(58) **Field of Classification Search** D6/470-471,
D6/474, 477-479, 460-461, 468; 108/59,
108/91-92, 96; 211/40, 41.12, 42, 49.1,
211/50, 85.2, 90.04, 187, 190; 206/307
See application file for complete search history.

(56) **References Cited**

U.S. PATENT DOCUMENTS

D454,731 S	3/2002	Niitsu et al.	
D458,053 S	6/2002	Luong	
D459,118 S	6/2002	Antonioni	
D472,073 S	3/2003	de Carolis	
D472,074 S	3/2003	de Carolis	
D472,075 S	3/2003	de Carolis	
D489,548 S	5/2004	Malizia et al.	
D491,748 S	6/2004	deCarolis	
D491,749 S	6/2004	Malizia et al.	
D491,750 S	6/2004	Bertoncini et al.	
D491,753 S	6/2004	deCarolis	
D492,860 S	7/2004	Bertoncini et al.	
D493,982 S	8/2004	deCarolis	
D496,543 S *	9/2004	Forlenza D6/477
D496,807 S	10/2004	deCarolis	
D497,060 S	10/2004	Chang et al.	
D497,061 S	10/2004	Decarolis	
D505,573 S	5/2005	Malizia	
D506,329 S	6/2005	Sexton	
D507,433 S	7/2005	Portnoy	

D507,900 S	8/2005	Sexton
D508,172 S	8/2005	Malizia et al.
D515,337 S	2/2006	deCarolis
D515,849 S	2/2006	Niu
D516,838 S	3/2006	Portnoy
D516,840 S	3/2006	deCarolis
D516,847 S	3/2006	Stenhouse et al.
D519,757 S	5/2006	Portnoy
D524,080 S	7/2006	Stenhouse et al.
D524,578 S	7/2006	Stenhouse et al.
D525,052 S	7/2006	Malizia et al.

(Continued)

OTHER PUBLICATIONS

Bell'O 2011-12 Product Catalog.

Primary Examiner — Kelley Donnelly

(74) *Attorney, Agent, or Firm* — Lerner, David, Littenberg,
Krumholz & Mentlik, LLP

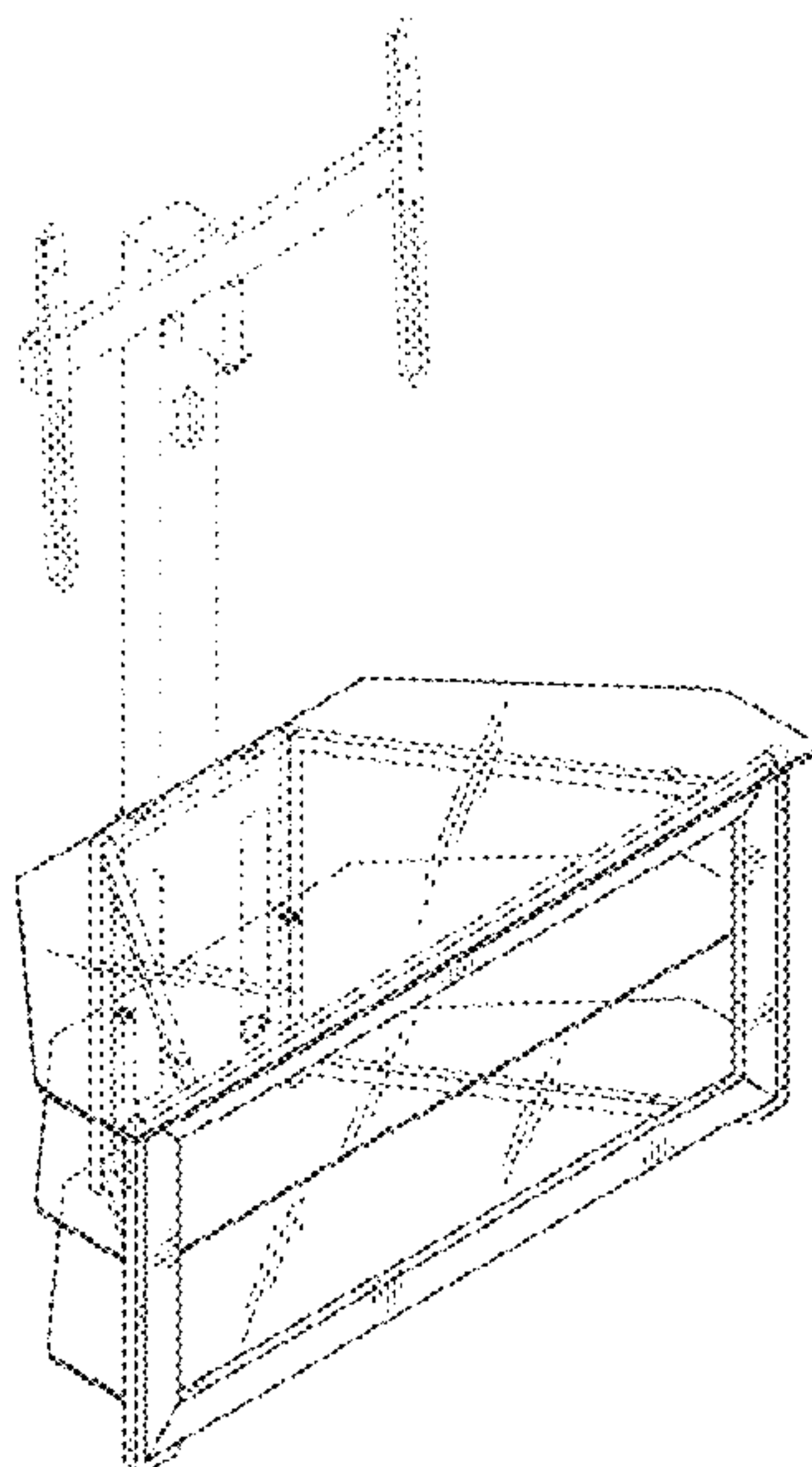
(57) **CLAIM**

The ornamental design for audio video shelving unit, as shown and described.

DESCRIPTION

FIG. 1 is a front perspective view of a first embodiment of the audio video shelving unit;
FIG. 2 is a front elevational view thereof;
FIG. 3 is a rear elevational view thereof;
FIG. 4 is a top plan view thereof;
FIG. 5 is a right side view thereof (the left side being a mirror image of the right side view);
FIG. 6 is a front perspective view of a second embodiment of the audio video shelving unit; and,
FIG. 7 is a top plan view of the embodiment shown in FIG. 6 (all other views of the second embodiment having the same appearance as FIGS. 2, 3 and 5).
The broken lines shown on the drawings are included for the purpose of illustration and form no part of the claimed design.

1 Claim, 7 Drawing Sheets



US D681,369 S

Page 2

U.S. PATENT DOCUMENTS

D525,054 S	7/2006	Stenhouse et al.	D595,978 S	7/2009	Portnoy et al.	
D527,208 S	8/2006	Malizia et al.	D599,584 S	9/2009	Zambelli	
D535,497 S	1/2007	Portnoy	D600,946 S *	9/2009	Day	D6/479
D537,656 S	3/2007	Stenhouse et al.	D604,251 S	11/2009	Hwang	
D540,067 S	4/2007	Chung	D605,874 S	12/2009	Zambelli	
D542,059 S	5/2007	Moyle et al.	D610,836 S	3/2010	Kohler	
D543,729 S	6/2007	Weatherly	D612,172 S	3/2010	Portnoy	
D549,991 S	9/2007	Stravitz	D612,634 S	3/2010	Zambelli	
D554,393 S	11/2007	Yalif	D616,672 S	6/2010	Sculler et al.	
D555,397 S	11/2007	Yalif	D619,827 S	7/2010	Sculler et al.	
D559,583 S	1/2008	Zambelli	D619,828 S	7/2010	Connor et al.	
D559,584 S	1/2008	Zambelli	D620,278 S	7/2010	Zambelli	
D560,077 S	1/2008	Zambelli	D620,284 S	7/2010	Zambelli	
D560,401 S	1/2008	Hoglan et al.	D620,285 S	7/2010	Sculler et al.	
D562,593 S	2/2008	Zambelli	D623,442 S	9/2010	Zambelli	
D563,695 S	3/2008	Yamaguchi	D623,443 S	9/2010	Zambelli	
D564,260 S	3/2008	deCarolis	D623,876 S	9/2010	Zambelli	
D564,261 S	3/2008	Sculler	D623,877 S	9/2010	Zambelli	
D564,789 S	3/2008	deCarolis	D625,123 S	10/2010	Zambelli	
D564,796 S	3/2008	Zambelli	D630,871 S *	1/2011	Sexton	D6/477
D564,797 S	3/2008	Yamaguchi	D631,265 S *	1/2011	Sexton	D6/477
D587,483 S	3/2009	Zambelli	D641,183 S	7/2011	Portnoy	
D587,496 S	3/2009	Weitz	D641,995 S	7/2011	Zambelli	
D587,497 S	3/2009	Zambelli	D643,649 S	8/2011	Chung	
D589,280 S	3/2009	Zambelli	D644,043 S	8/2011	Portnoy	
D590,636 S	4/2009	Ou Yang et al.	D644,454 S	9/2011	Chung	
D590,637 S	4/2009	Portnoy	D646,910 S	10/2011	Portnoy	
D592,428 S	5/2009	Zambelli	D648,573 S *	11/2011	Sculler	D6/477
D594,248 S	6/2009	Zambelli	D653,057 S *	1/2012	Sexton	D6/477

* cited by examiner

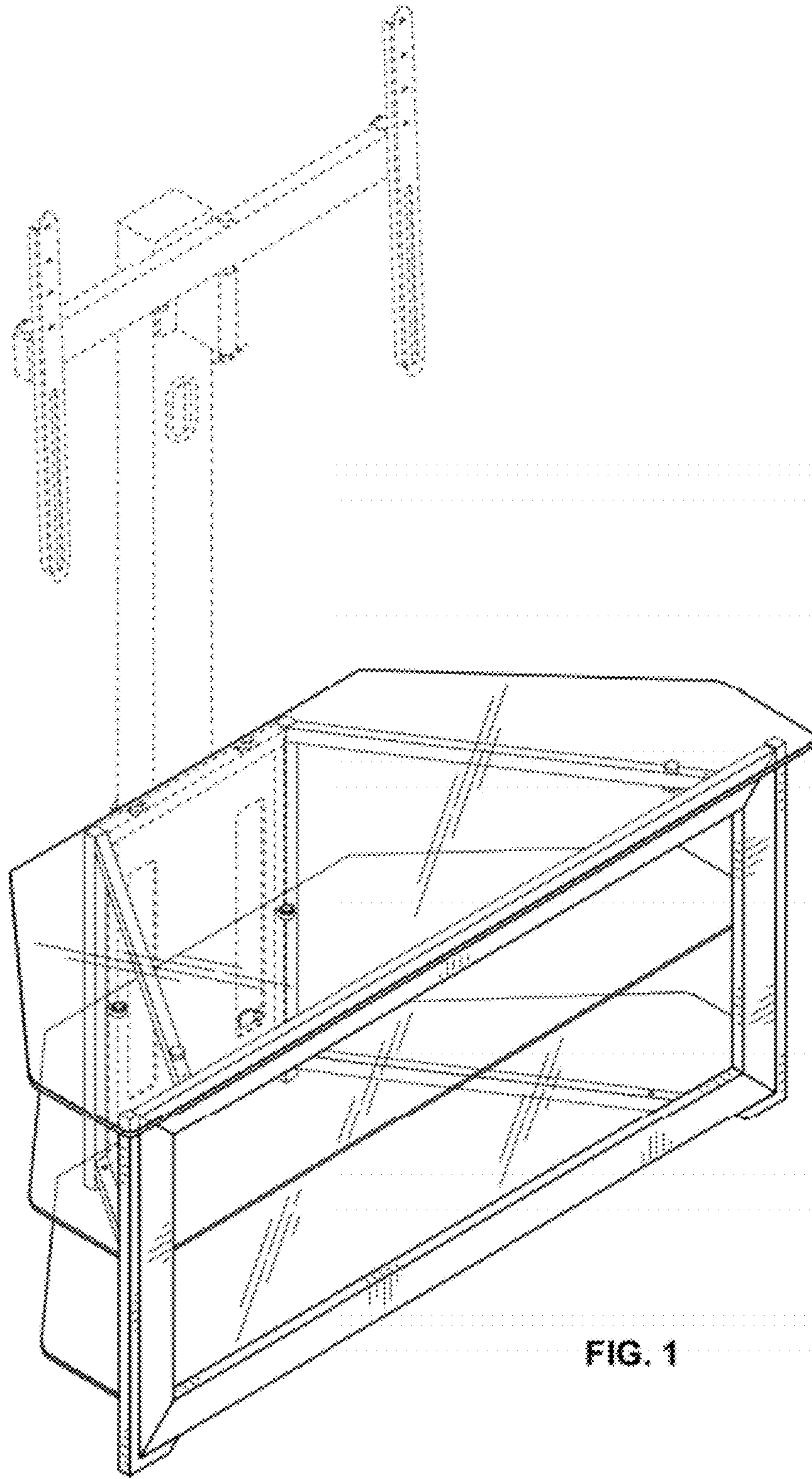


FIG. 1

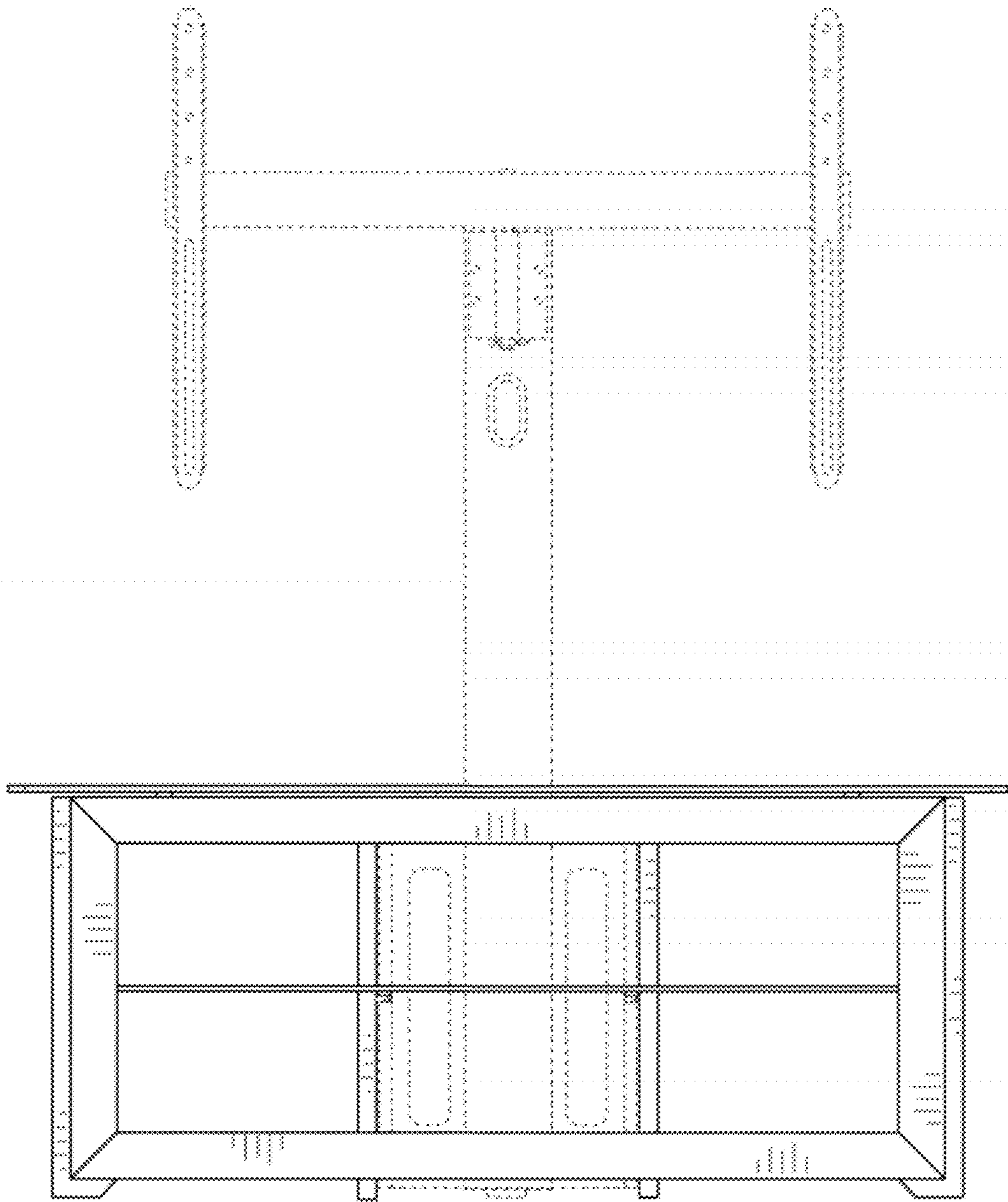


FIG. 2

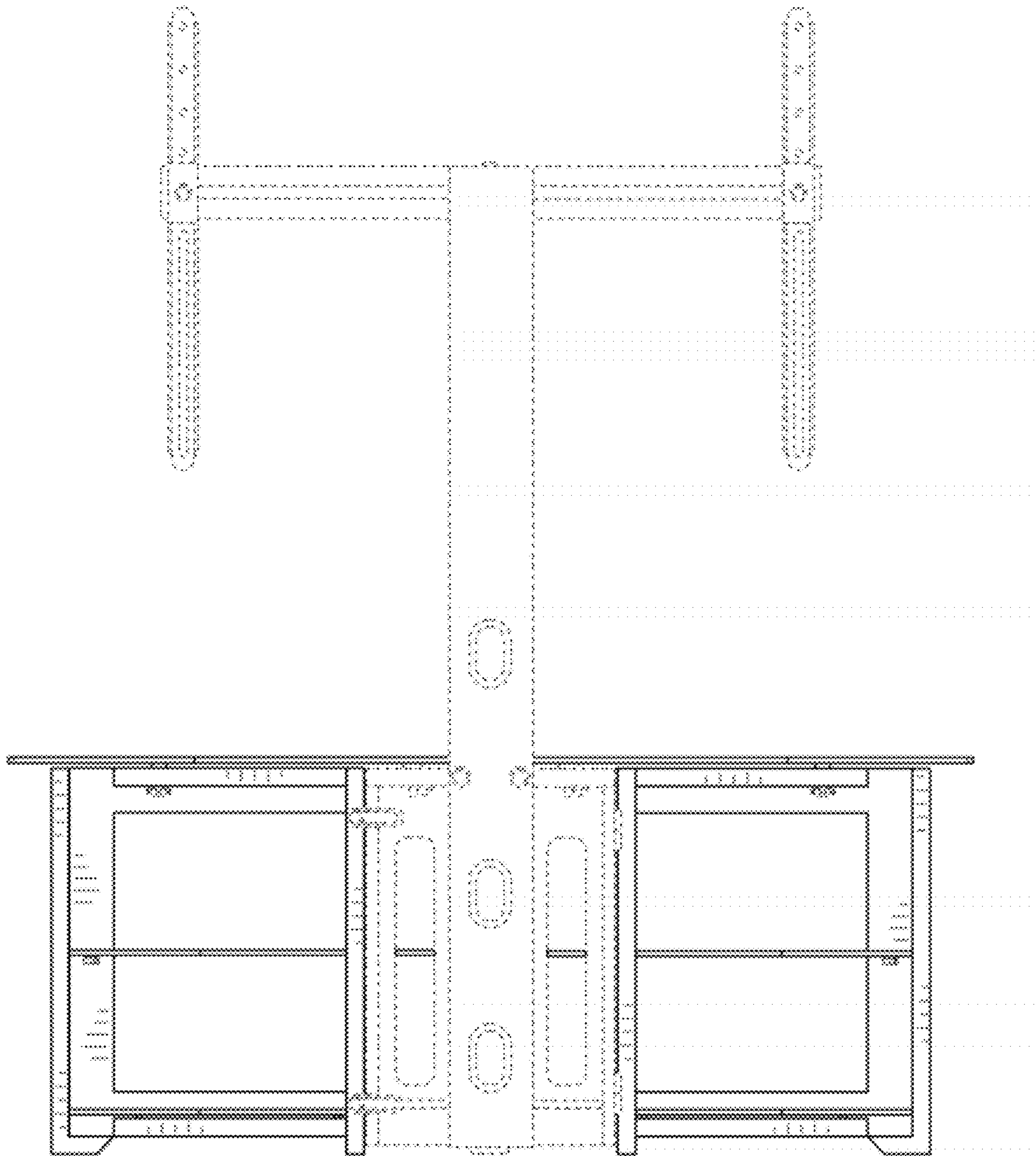


FIG. 3

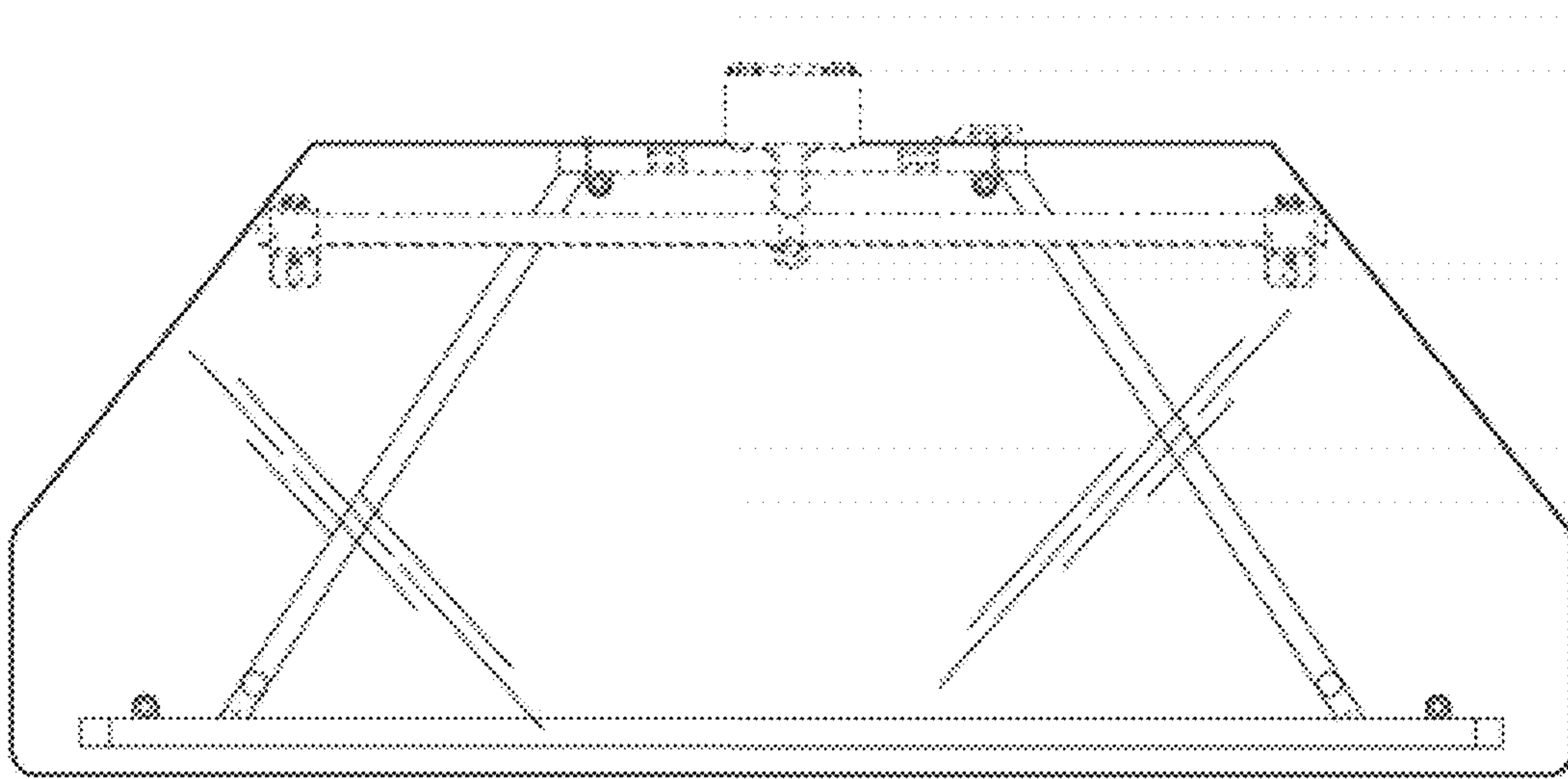


FIG. 4

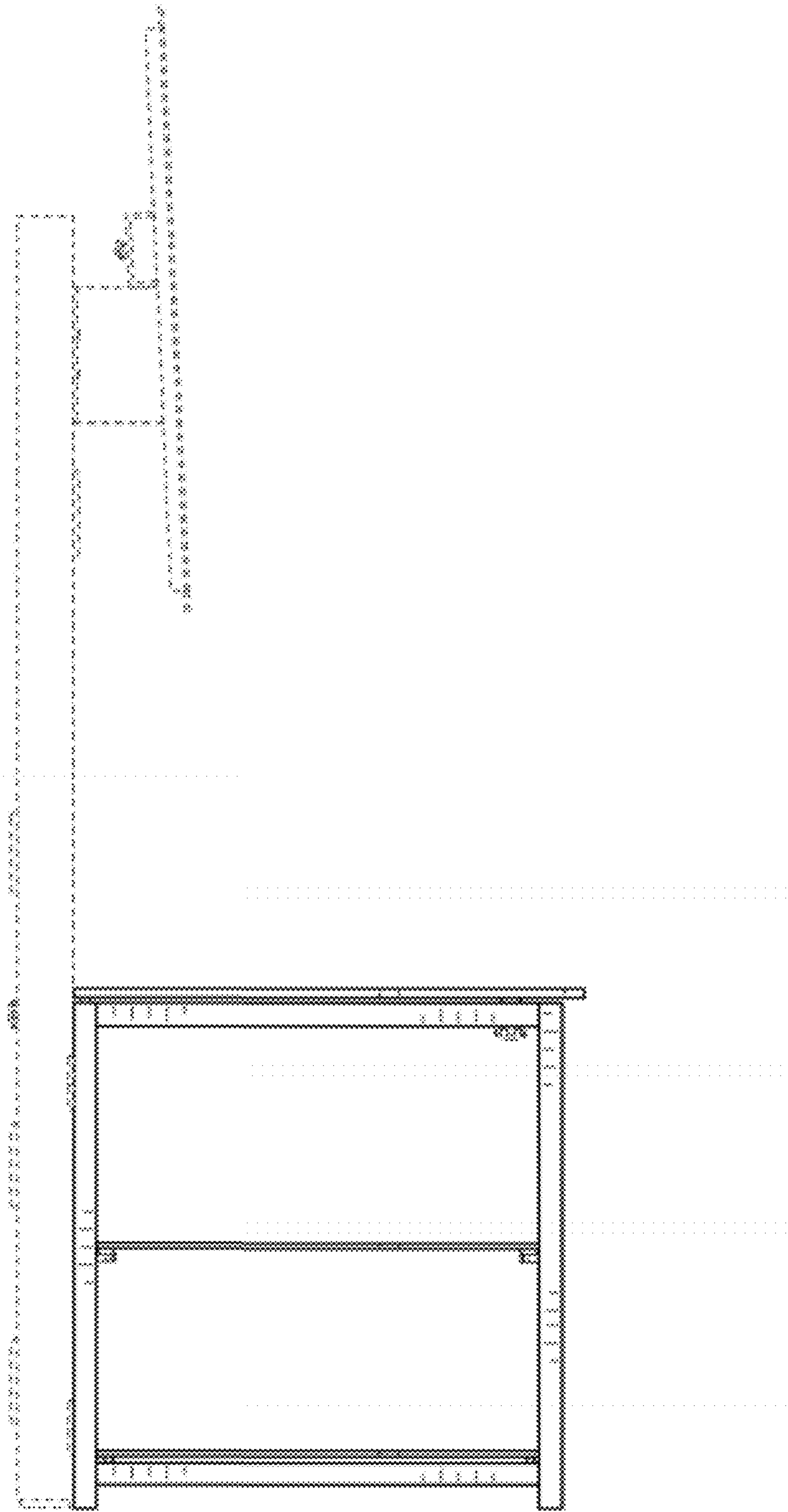


FIG. 5

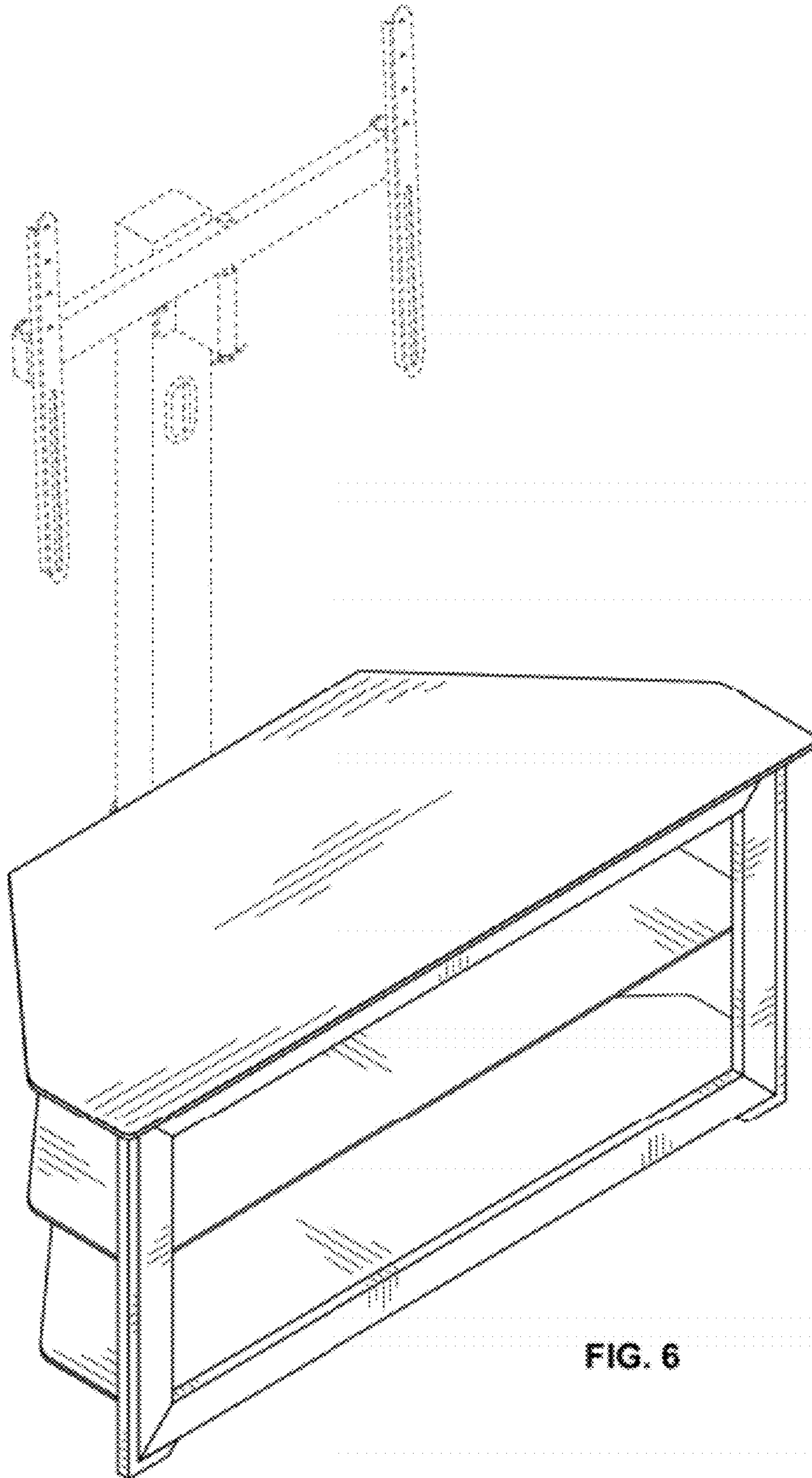


FIG. 6

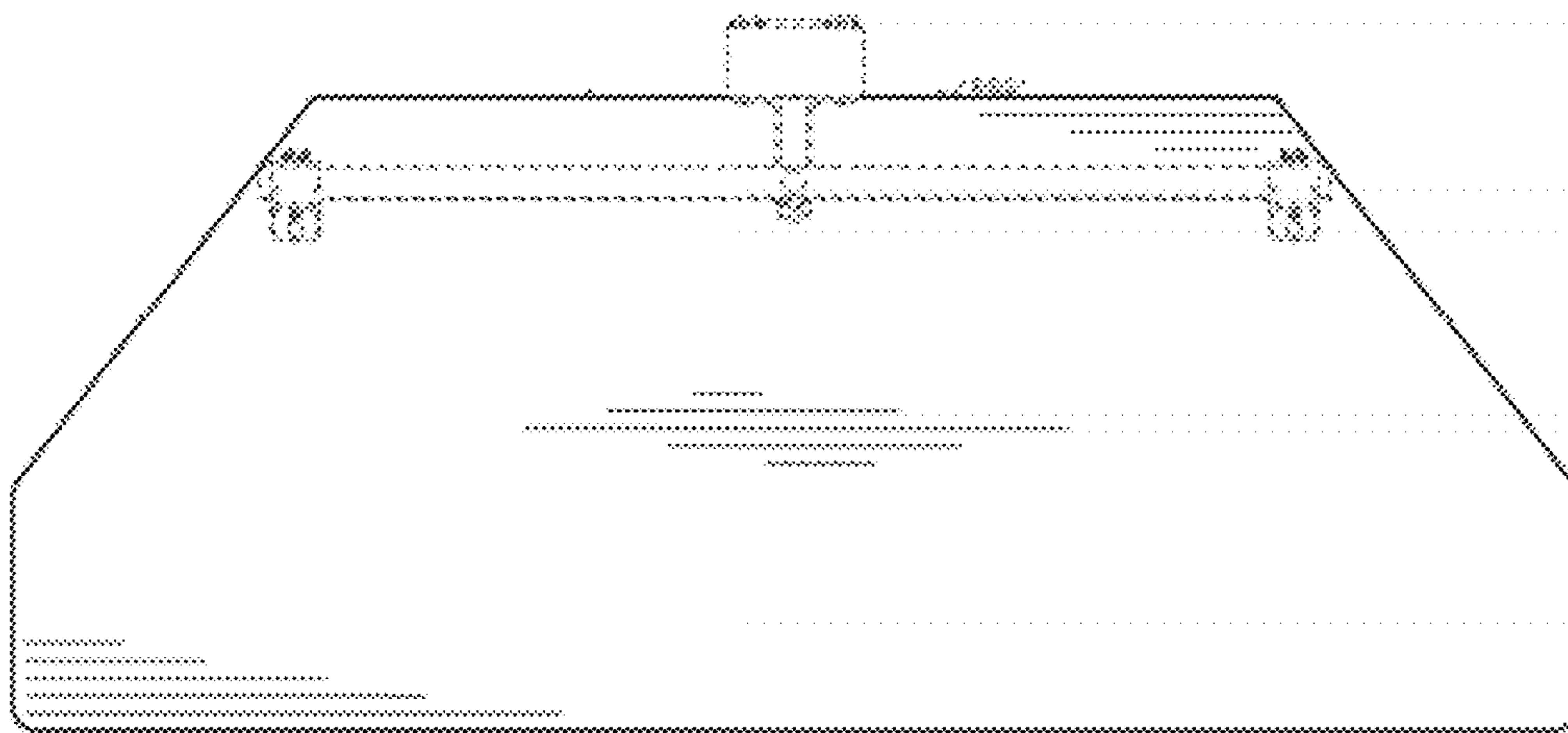


FIG. 7